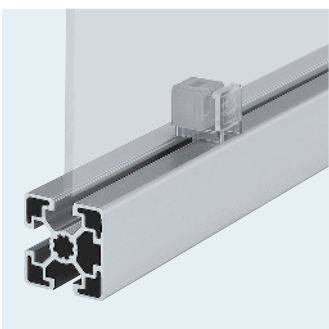
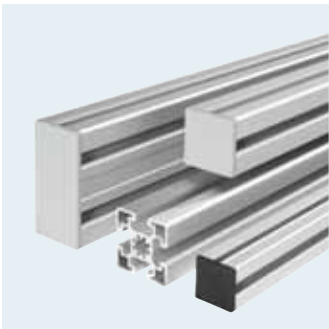
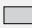



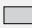





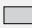



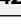
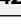
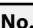
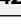











# Basic mechanic elements

13.2



# Explanations

Presentation		Explanation													
<table border="1"> <thead> <tr> <th>40x40 HR</th> <th>L (mm)</th> <th>No.</th> </tr> </thead> <tbody> <tr> <td>1 pcs </td> <td>50 ... 6000</td> <td><b>3 842 993 256 / L</b></td> </tr> <tr> <td>1 pcs M12  M12</td> <td>110 ... 6000</td> <td><b>3 842 993 257 / L</b></td> </tr> <tr> <td> 20 pcs </td> <td>6070</td> <td><b>3 842 529 381</b></td> </tr> </tbody> </table>		40x40 HR	L (mm)	No.	1 pcs 	50 ... 6000	<b>3 842 993 256 / L</b>	1 pcs M12  M12	110 ... 6000	<b>3 842 993 257 / L</b>	 20 pcs 	6070	<b>3 842 529 381</b>	<p>Product available for delivery as:</p> <ul style="list-style-type: none"> <li>– Single component of variable length, e.g. Order: 1 x 3 842 993 257 / 785 Delivery: 1 x 40x40 HR with M12 profile finishing on both sides, L = 785 mm</li> <li>– Delivery unit (: here 20 pcs) of fixed length, e.g. Order: 1 x 3 842 529 381 Delivery: 20 x 40x40 HR (without profile finishing), L = 6070 mm</li> </ul> <p>M12  M12 Notes on profile finishing, see Section 2.</p>	
40x40 HR	L (mm)	No.													
1 pcs 	50 ... 6000	<b>3 842 993 256 / L</b>													
1 pcs M12  M12	110 ... 6000	<b>3 842 993 257 / L</b>													
 20 pcs 	6070	<b>3 842 529 381</b>													
<table border="1"> <thead> <tr> <th>50/50</th> <th>Slot</th> <th>ESD</th> <th>No.</th> </tr> </thead> <tbody> <tr> <td>Bracket (standard)</td> <td>10</td> <td></td> <td><b>3 842 530 381</b></td> </tr> </tbody> </table>		50/50	Slot	ESD	No.	Bracket (standard)	10		<b>3 842 530 381</b>	<p>The product is delivered in packaging units (: in this case 20 units); i.e. the order quantity must at least equal the specified quantity or a multiple of it; differing quantities will be rounded up</p> <p>Order examples:</p> <ul style="list-style-type: none"> <li>– Order: 1 x 3 842 530 381 – delivery: 20 x bracket 50/50</li> <li>– Order: 20 x 3 842 530 381 – delivery: 20 x bracket 50/50</li> <li>– Order: 30 x 3 842 530 381 – delivery: 40 x bracket 50/50</li> </ul>					
50/50	Slot	ESD	No.												
Bracket (standard)	10		<b>3 842 530 381</b>												
<table border="1"> <thead> <tr> <th>Threaded sleeve</th> <th>No.</th> </tr> </thead> <tbody> <tr> <td></td> <td><b>3 842 504 790</b></td> </tr> </tbody> </table>		Threaded sleeve	No.		<b>3 842 504 790</b>	<p>For order tables without the column , the following applies:  = 1</p> <p>Order examples:</p> <ul style="list-style-type: none"> <li>– Order: 1 x 3 842 504 790 – delivery: 1x threaded sleeve incl. fastening material (FS) enclosed with the product for peripheral mounting</li> </ul>									
Threaded sleeve	No.														
	<b>3 842 504 790</b>														
		<ol style="list-style-type: none"> <li>1. Profile with slot width 6 mm, 8 mm, 10 mm; all modular dimensions</li> <li>2. Accessories suitable for mounting on profiles with the specified slot width; all modular dimensions</li> </ol>													
		<ol style="list-style-type: none"> <li>1. Profile with slot width 10 mm; modular dimensions: 40 mm, 45 mm, 50 mm, 60 mm</li> <li>2. Accessories suitable for mounting on profiles with the specified slot width and modular dimensions</li> </ol>													
		<p>Conductive material version in accordance with DIN EN 61340-5-1; suitable for use in ESD-sensitive areas</p>													
		<p>Suitable for use in clean rooms</p>													
		<p>Profile finishing required (drilling, thread cutting, milling)</p>													
		<p>The centering tab can be broken off for offset assembly or assembly at an angle to the profile slot.</p>													
		<p>Screw with Torx profile</p>													
		<p>Weight</p>													
		<p>Permitted loading (N)</p>													





### **Uncompromisingly flexible: the assembly system from its inventor**

Work environments are more efficient the more they are customized for their specific purpose. From frames, enclosures, special and series-production machinery and ESD-conductive systems to workstations or lines for material supply and linking, Bosch Rexroth's ultra-flexible assembly system offers quick, complete solutions for any tasks in any industry.

First introduced by Bosch over 30 years ago, today our modular system encompasses well over 1,500 parts. The idea is attractively simple: the system is based on aluminum profiles with an "endless" longitudinal slot.

With systematic enhancements, customer-oriented services and comprehensive service support, including free-of-charge planning software, our modular system offers everything you need for efficient working environments.

<b>Introduction</b>	<b>1</b>
<b>Strut profiles</b>	<b>2</b>
<b>Connection elements</b>	<b>3</b>
<b>Joints</b>	<b>4</b>
<b>Air-supply elements</b>	<b>5</b>
<b>Feet and wheels</b>	<b>6</b>
<b>Fixing of surface elements</b>	<b>7</b>
<b>Doors and fittings</b>	<b>8</b>
<b>Accessories for protective devices</b>	<b>9</b>
<b>Protective barriers and partition walls EcoSafe</b>	<b>10</b>
<b>Installation elements</b>	<b>11</b>
<b>Elements for manual movement</b>	<b>12</b>
<b>Linear guides</b>	<b>13</b>
<b>Tools</b>	<b>14</b>
<b>FiFo station</b>	<b>15</b>
<b>Components for lateral guides</b>	<b>16</b>
<b>Components for ESD applications</b>	<b>17</b>
<b>Sensors and switch brackets</b>	<b>18</b>
<b>Technical data</b>	<b>19</b>
<b>Material Number Overview</b>	<b>20</b>
<b>Index</b>	<b>21</b>

## The Rexroth modular system – safe, reliable and customized

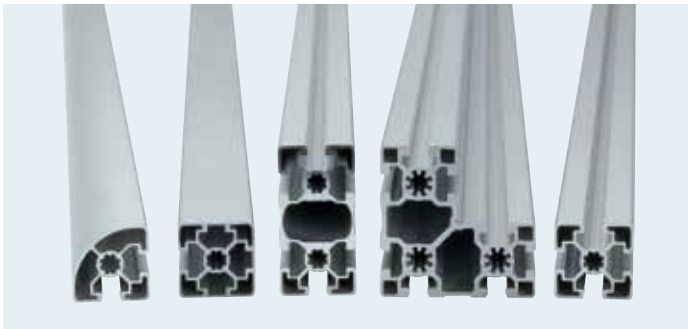
Use our extensive range of products to save working time and costs effectively.

- ▶ Short planning timescales
- ▶ Quicker assembly
- ▶ Highly flexible conversion and extension options
- ▶ Ready-to-use, corrosion-protected surfaces
- ▶ Reusable components
- ▶ Worldwide availability



## The versatile comprehensive range

Over 100 different profile cross-sections with perfectly adjusted modular dimensions as well as versatile connection elements and accessories enable you to turn any idea into reality.



### Strong profiles – the economical choice for any load scenario!

- ▶ Light profiles
- ▶ Heavy-duty standard profiles
- ▶ Profiles with closed slots
- ▶ Round profiles for an attractive design
- ▶ Innovative special profiles for special applications



### Sturdy connecting systems – the Rexroth connectors hold really firmly and securely!

- ▶ Bracket
- ▶ Joints
- ▶ Cubic connectors
- ▶ Bolt connector
- ▶ Quick connector
- ▶ ...



### Matching accessories for the profile system – easy to fix in the profile slot or central hole!

- ▶ Hinges, sliders
- ▶ Clamping elements
- ▶ Feet and rollers
- ▶ Installation and air-supply elements
- ▶ Cover and mounting rim profiles
- ▶ ...



# Application-oriented solutions for all sectors



A convincing concept for providing solutions for all sectors, from the automotive industry to safety equipment, logistics, automation, electronics or exhibition stand construction.





## Maximum planning certainty due to professional, worldwide network

Comprehensive experience, in-depth know-how and reliable production capacities ensure timely and speedy supply.



### Reliable worldwide availability

- ▶ Dealers, systems providers and regional and national subsidiaries are always near at hand for you – worldwide
- ▶ Highly efficient central warehouse in Stuttgart
- ▶ Local warehouses at Rexroth sites
- ▶ 'Made to measure' production capacities



### On-time, speedy supply

- ▶ All components available
- ▶ Pre-assembled modules, complete frames
- ▶ Prompt delivery and excellent adherence to deadlines



### Professional point of contact

- ▶ Personalized advice
- ▶ Comprehensive services
- ▶ Local sales partners
- ▶ Highly skilled experts

Find your point of contact within the Rexroth Sales and Service organization at the click of a mouse:

**[www.boschrexroth.com/adressen-dcl](http://www.boschrexroth.com/adressen-dcl)**

## Specific planning, efficient building, versatile use

Bosch Rexroth's high-performance aluminum modular system allows you to create secure, complete and transparent solutions for improving work productivity.



### Secure

- ▶ Strong profiles which withstand strong forces
- ▶ Well designed connecting systems
- ▶ Anti-torsion elements and positioning aids
- ▶ All systems ESD-conductive
- ▶ Guaranteed performance data



### Reliable

- ▶ Standardized components
- ▶ Low planning workload
- ▶ Systematically matched elements
- ▶ Short assembly times with few tools needed
- ▶ Durable and corrosion-resistant



### Customized

- ▶ For all sectors
- ▶ Reusable components
- ▶ Scalable/extendable
- ▶ For technical and design solutions
- ▶ Can be combined with transfer systems, Varioflow, Manual Production Systems, MGE linear guides, EcoSafe
- ▶ Quick & Easy customized finishing

## MT<sub>pro</sub> – planning software

Unlimited combination options together with simple planning and ordering as well as excellent adherence to deadlines allow you to achieve perfect results.

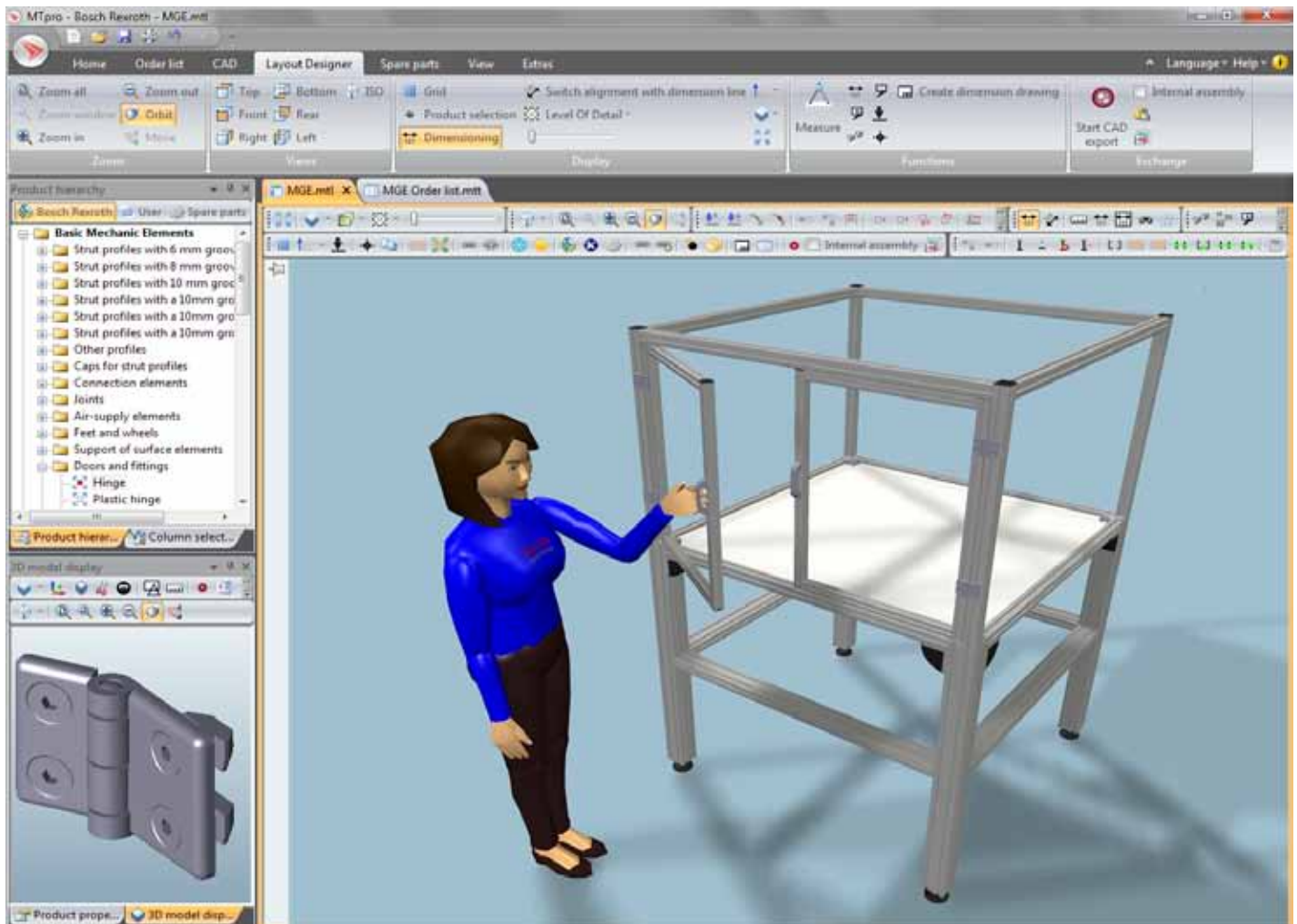
This especially user-friendly software speeds up and simplifies the planning of application-specific frames, enclosures and workstations.

The entire ordering process can also be done in next to no time. And the data can be transferred to your CAD or VR (Virtual Reality) environment via a CAD interface. The program offers the following functions and full content in seven languages (en/de/fr/es/it/ja/zh):

- ▶ Complete product information
- ▶ CAD library
- ▶ Quick&Easy configurator
- ▶ Profile deflection calculation
- ▶ Conversion of profile drawings
- ▶ Quick and simple planning in the layout designer

Catalog: 3842539057

[www.boschrexroth.de/mediadirectory](http://www.boschrexroth.de/mediadirectory)





## Product range – assembly technology

Many years of experience, robust products and innovative technology are the hallmarks of Bosch Rexroth's assembly systems. You can find more information on our products in our product catalogs and on our webpages.



Catalog: 3842538281  
[www.boschrexroth.de/mediadirectory](http://www.boschrexroth.de/mediadirectory)

### Manual Production Systems (MPS)

Economic success relies not only on lean, waste-free processes, but also on ergonomically designed workstations. With MPS you have a production system that places equal importance on both lean production and ergonomics.



Catalog: R999000402  
[www.boschrexroth.de/mediadirectory](http://www.boschrexroth.de/mediadirectory)

### VarioFlow plus

With VarioFlow plus, Rexroth offers you a high-performance, standardized and versatile conveyor system for use in the food & packaging and the healthcare fields as well as in automotive & electronic assembly lines and machine linking applications.



Catalog: R999000396  
[www.boschrexroth.de/mediadirectory](http://www.boschrexroth.de/mediadirectory)

### TS 2plus

As well as a range of conveyor media including polyamide belts, toothed belts, flat top chains and accumulation roller chains, TS 2plus offers a wealth of specific modular units in the curve, cross conveyor, positioning and drive units field.



Catalog: 3842540380  
[www.boschrexroth.de/mediadirectory](http://www.boschrexroth.de/mediadirectory)

### TS 5

The TS 5 transfer system with king shaft transports loads of up to 400 kg and more. Rexroth offers you a comprehensive system of conveyor modules:



# Strut profiles



Strut profiles, 6 mm slot,  
20 mm modular dimension  
(p. 2-11)



Strut profiles, 8 mm slot,  
30 mm modular dimension  
(p. 2-16)



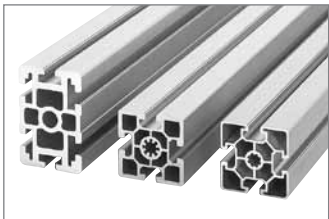
Strut profiles, 10 mm slot,  
40 mm modular dimension  
(p. 2-24)



Strut profiles, 10 mm slot,  
45 mm modular dimension  
(p. 2-36)



Strut profiles, 10 mm slot,  
50 mm modular dimension  
(p. 2-51)



Strut profiles, 10 mm slot,  
60 mm modular dimension  
(p. 2-53)



Rectangular tube (p. 2-55)  
Clamping profile (p. 2-56)



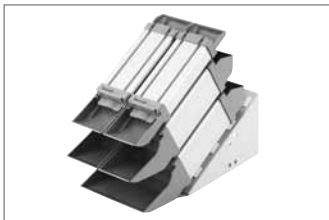
Frame profile  
22.5x30 (p. 2-57)  
22.5x45 (p. 2-58)



Angle profile (p. 2-59)  
Suspension profile (p. 2-60)  
Container mount (p. 2-61)



Grooved plate (p. 2-62)



Material chute (p. 2-63)



Profile rail (p.2-65)



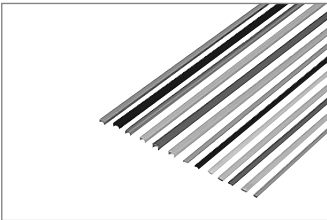
Profiles for installing  
conveyor media (p. 2-66)



Round tube D28 (p. 2-69)  
Strut profile D28x55  
(p. 2-69)



EcoShape tubular framing  
system (p. 2-72)



Cover profiles, additional  
accessories (p. 2-83)

## Strut profiles

With more than 100 strut profiles for all types of loadings, Bosch Rexroth AG offers the widest product range for different requirements:

- ▶ Square and rectangular profiles
- ▶ Light profiles with optimized cross-sections
- ▶ Round profiles and profiles with smooth lateral surfaces

Connectors with high load-bearing capacities combined with ultra robust slots and large central bores make profile connections possible which can handle high static and dynamic loads.

Bosch Rexroth AG offers you 6 different profile ranges. All profiles within a profile range have the same slot dimensions and spacing so as to ensure that everything always fits together perfectly during construction. As they are very sturdy, the profiles with a 10 mm slot are suitable for building structures ranging from tables to heavy machine frames. They are available in four profile series with a slot spacing of 40 mm, 45 mm, 50 mm, or 60 mm.



The profiles with 8 mm and 6 mm slots are used in the construction of lightweight equipment, partition walls, stands, or showcases.

### Profile length in profile packaging units

The stated length of the profile packaging units relates to the guaranteed usable length.

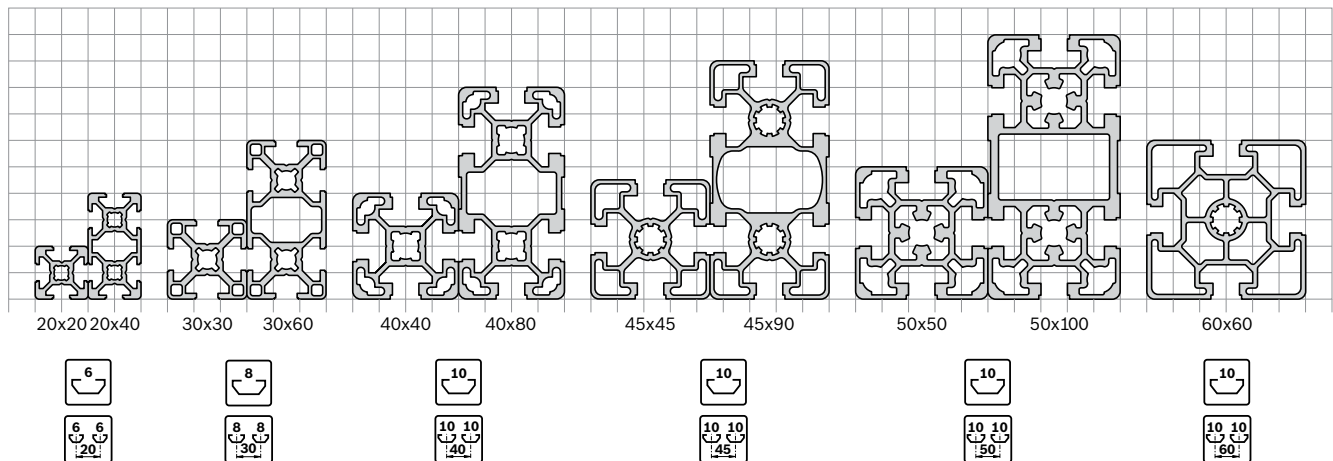
During anodizing as part of the manufacturing process bare areas which are approx. 30 mm long are left at each end of the profile (= contact areas), so the profiles are generally supplied incorporating an excess length of 100 mm.

Example:

45x45L		L (mm) No.	
 20 pcs		6070	<b>3 842 553 611</b>

**Note:** The length dimension “L” in the table equals the usable length, whereas the actual length is approx. 100 mm longer.

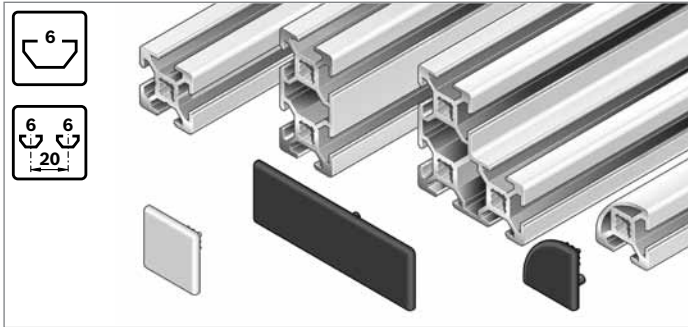
### Strut profiles – slot sizes and modular dimensions



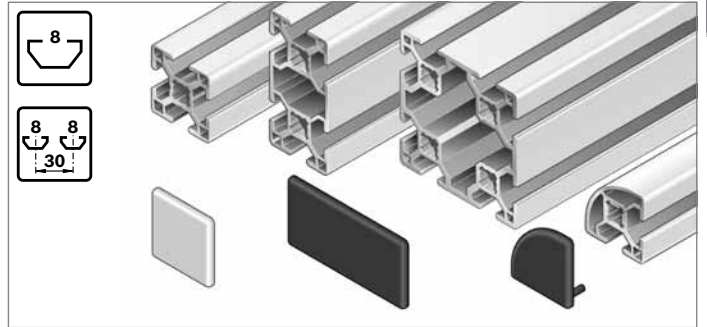
00111714

## Strut profiles – slot sizes and modular dimensions

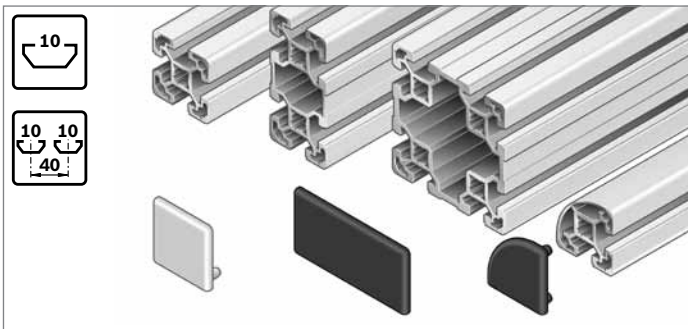
6 mm slot, 20 mm modular dimension



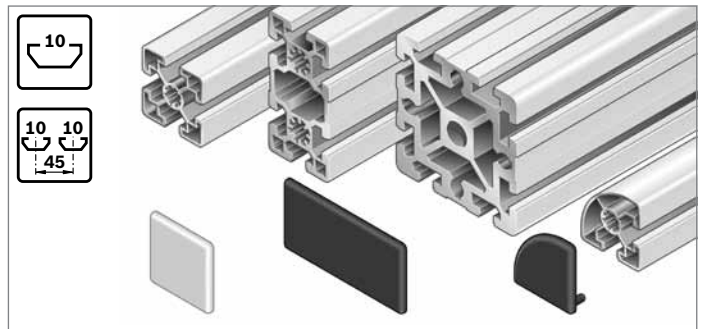
8 mm slot, 30 mm modular dimension



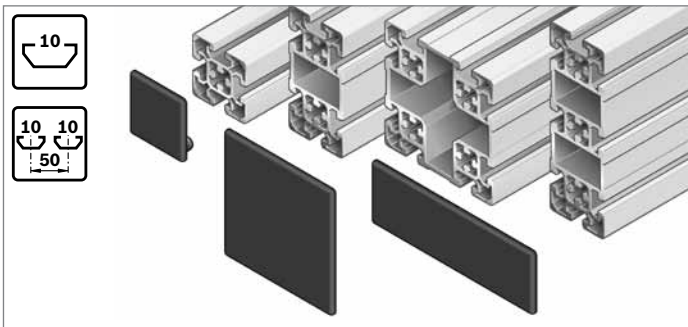
10 mm slot, 40 mm modular dimension



10 mm slot, 45 mm modular dimension


















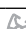























10 mm slot, 50 mm modular dimension




































10 mm slot, 60 mm modular dimension






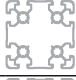


















## Technical data – profiles




























Profile	Groove	Profile surface A (cm <sup>2</sup> )	Moment of inertia		Moment of resistance		Torsion index		Mass m (kg/m)	Page	
			I <sub>x</sub> (cm <sup>4</sup> )	I <sub>y</sub> (cm <sup>4</sup> )	W <sub>x</sub> (cm <sup>3</sup> )	W <sub>y</sub> (cm <sup>3</sup> )	I <sub>t</sub> (cm <sup>4</sup> )	W <sub>t</sub> (cm <sup>3</sup> )			
20x20		6	1.6	0.7	0.7	0.7	0.7	0.08	0.17	0.4	2-12
20x20 1N		6	1.9	0.8	0.8	0.8	0.8	0.60	0.67	0.5	2-12
20x20 2N		6	1.8	0.7	0.8	0.7	0.8	0.31	0.52	0.5	2-12
20x20 2NVS		6	1.8	0.7	0.7	0.7	0.7	0.37	0.52	0.5	2-13
20x20 3N		6	1.7	0.7	0.8	0.7	0.7	0.19	0.34	0.5	2-13
20x20 R		6	1.6	0.6	0.6	0.5	0.5	0.21	0.39	0.4	2-13
20x40		6	2.9	4.6	1.2	2.5	1.4	0.68	0.91	0.8	2-14
20x60		6	3.5	14.2	1.7	4.7	1.7	2.30	2.00	0.9	2-14
20x40x40		6	4.2	6.0	6.0	2.6	2.6	1.50	1.30	1.1	2-14
10x40		6	2.1	3.2	0.2	1.6	0.4	-	-	0.6	2-15
30x30		8	3.1	2.8	2.8	1.8	1.8	0.29	0.33	0.9	2-17
30x30 1N		8	3.7	3.1	3.5	2.0	2.3	2.80	1.50	1.0	2-17
30x30 2N		8	3.5	2.8	3.5	2.1	2.7	1.50	1.20	1.0	2-17
30x30 2NVS		8	3.5	3.1	3.1	2.0	2.0	1.70	1.10	1.0	2-18
30x30 3N		8	3.3	3.1	2.8	2.3	2.1	0.86	0.73	0.9	2-18
30x30°		8	3.7	3.5	3.6	2.0	1.9	1.50	2.00	1.0	2-18
30x45°		8	4.0	3.6	5.1	2.1	2.3	2.10	2.40	1.1	2-19
30x60°		8	3.6	3.0	4.1	1.7	1.9	1.50	2.00	1.0	2-19
30x30 R		8	2.9	2.3	2.3	1.4	1.4	0.81	1.20	0.8	2-19
30x60		8	5.5	19.6	5.1	7.0	3.9	2.60	2.10	1.5	2-20
30x60 4N		8	5.8	20.2	5.5	6.7	3.8	4.80	2.40	1.6	2-20
30x60x60		8	8.2	26.2	26.2	7.6	7.6	6.40	3.60	2.2	2-20
30x90		8	7.7	60.7	7.3	13.5	4.9	5.10	3.80	2.1	2-21
30x120		8	9.9	136.3	9.6	22.7	6.4	7.60	5.60	2.7	2-21
30x45		8/10	4.0	8.1	3.9	3.9	2.9	1.30	1.30	1.1	2-22
60x60 8N		8	9.8	39.7	39.7	13.2	13.2	19.30	6.80	2.6	2-22
11x20		8	1.0	0.5	0.1	0.7	0.3	-	-	0.3	2-22
15x120		8	9.0	110.4	2.2	18.4	2.7	-	-	2.4	2-23
40x40L		10	5.6	9.1	9.1	4.5	4.5	1.30	0.74	1.5	2-26
40x40L 0N		10	6.3	10.4	10.4	5.2	5.2	10.70	4.30	1.7	2-26
40x40L 1N		10	6.1	9.8	10.3	4.7	5.1	6.90	3.70	1.7	2-26
40x40L 2N		10	6.0	9.0	10.3	4.5	5.2	4.00	3.00	1.6	2-27
40x40L 2NVS		10	6.0	9.7	9.7	4.9	4.9	4.50	2.70	1.6	2-27
40x40L 3N		10	5.8	9.7	9.0	4.8	4.5	2.60	1.70	1.6	2-27
40x30°		10	6.2	9.4	11.8	4.7	5.9	3.00	3.10	1.7	2-28
40x45°		10	6.8	9.9	16.6	5.0	8.3	4.20	3.70	1.8	2-28
40x60°		10	6.3	8.7	13.1	4.3	6.5	3.00	3.10	1.7	2-28
40x40L R		10	5.0	7.2	7.2	3.6	3.6	2.50	2.00	1.3	2-29
40x40 HR		10	5.5	8.1	7.6	4.0	3.6	4.60	2.80	1.5	2-29

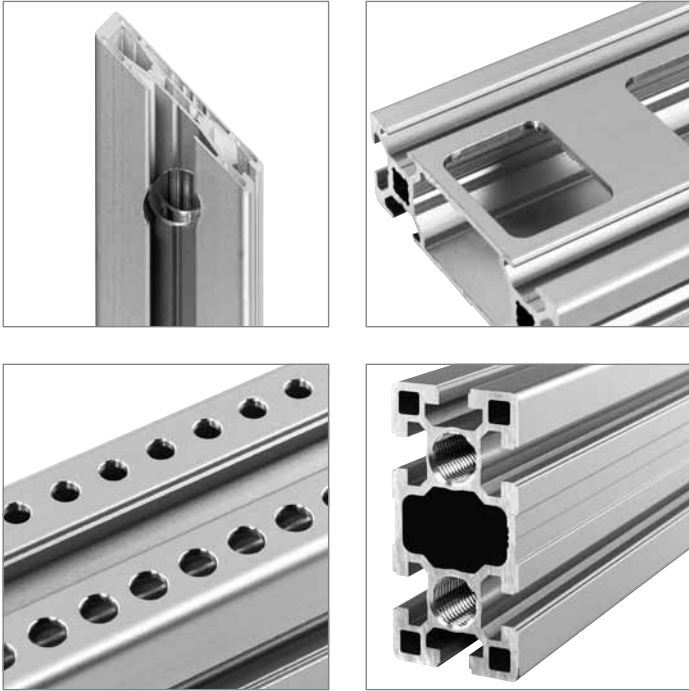


Profile	Groove	Profile surface	Moment of inertia			Moment of resistance		Torsion index		Mass m (kg/m)	Page
			A (cm <sup>2</sup> )	I <sub>x</sub> (cm <sup>4</sup> )	I <sub>y</sub> (cm <sup>4</sup> )	W <sub>x</sub> (cm <sup>3</sup> )	W <sub>y</sub> (cm <sup>3</sup> )	I <sub>t</sub> (cm <sup>4</sup> )	W <sub>t</sub> (cm <sup>3</sup> )		
40x80L		10	9.9	63.4	17.3	15.9	8.7	8.02	4.80	2.7	2-30
40x80L 2N		10	10.9	66.6	20.8	16.6	10.4	22.40	7.58	2.9	2-30
40x80L 4N		10	10.4	65.2	19.1	16.3	9.9	13.30	4.40	2.8	2-30
40x80L 2NVS		10	10.7	67.8	19.0	17.0	9.5	19.24	7.55	2.9	2-31
40x80L 3NVS		10	10.6	67.8	19.0	17.0	9.5	15.90	5.20	2.9	2-31
40x80x80L		10	15.4	96.6	96.6	24.2	24.2	19.60	9.80	4.2	2-31
40x120L		10	15.5	203.2	27.8	33.9	13.9	17.20	10.00	4.2	2-32
40x160L		10	20.5	466.7	37.2	58.3	18.6	25.80	14.60	5.5	2-32
80x80L		10	18.2	132.1	132.1	33.0	33.0	59.80	17.20	4.9	2-33
80x80L 4N		10	19.3	142.5	142.5	35.6	35.6	83.90	15.4	5.2	2-33
80x80L 4NVS		10	19.3	142.5	142.5	35.6	35.6	92.00	16.80	5.2	2-34
80x80L 6N		10	18.8	134.1	140.9	33.5	36.2	72.60	15.00	5.1	2-34
40x120x120L		10	24.6	318.0	318.0	42.2	42.2	37.10	19.00	6.7	2-34
80x120L		10	25.6	389.2	192.8	64.9	48.2	119.00	29.10	6.9	2-35
80x160L		10	32.9	850.7	253.4	106.3	63.4	182.00	41.10	8.9	2-35
45x45L		10	6.0	11.7	11.7	5.2	5.2	1.46	0.75	1.6	2-36
45x45L 0N		10	6.7	13.5	13.5	6.0	6.0	16.20	6.10	1.8	2-36
45x45L 1N		10	6.5	12.6	13.5	5.5	6.0	10.00	5.20	1.8	2-37
45x45L 2N		10	6.4	11.6	13.5	5.2	6.0	5.50	4.30	1.7	2-37
45x45L 2NVS		10	6.4	12.6	12.6	5.6	5.6	6.30	3.80	1.7	2-37
45x45L 3N		10	6.2	12.6	11.7	5.4	5.2	3.40	2.40	1.7	2-38
45x30°		10	6.9	12.7	15.2	5.0	5.3	6.60	5.70	1.9	2-38
45x45°		10	7.6	13.4	21.4	5.2	6.4	9.00	6.80	2.0	2-38
45x60°		10	6.8	11.4	16.9	4.4	5.2	6.80	4.30	1.8	2-39
45x45L R		10	4.9	8.6	8.6	5.0	5.0	3.30	2.80	1.3	2-39
45x45HR		10	6.6	11.0	10.7	4.4	4.8	7.60	3.40	1.8	2-39
45x45		10	7.5	13.8	13.8	6.1	6.1	2.65	0.96	2.0	2-40
45x60		10	11.0	37.2	22.7	12.4	10.1	6.70	4.09	3.0	2-41
45x90SL		10	9.0	73.4	18.1	16.3	8.0	8.57	4.00	2.4	2-41
45x90L		10	11.3	82.0	23.6	18.2	10.5	15.10	4.40	3.0	2-42
45x90L 2N		10	12.0	85.6	26.9	38.1	6.0	31.70	7.70	3.2	2-42
45x90L 2NVS		10	12.0	25.9	90.6	5.7	40.3	23.34	9.65	3.3	2-43
45x90L 3NVS		10	11.8	87.2	25.2	38.8	5.6	25.70	6.60	3.2	2-43

Profile	Groove	Profile surface	Moment of inertia		Moment of resistance		Torsion index		Mass m (kg/m)	Page	
			A (cm <sup>2</sup> )	I <sub>x</sub> (cm <sup>4</sup> )	I <sub>y</sub> (cm <sup>4</sup> )	W <sub>x</sub> (cm <sup>3</sup> )	W <sub>y</sub> (cm <sup>3</sup> )	I <sub>t</sub> (cm <sup>4</sup> )			W <sub>t</sub> (cm <sup>3</sup> )
45x90		10	15.4	124.6	32.8	27.7	14.6	15.40	6.61	4.2	2-44
45x180		10	25.5	766.7	57.3	85.2	25.5	44.40	17.00	6.9	2-44
45x270		10	61.9	3962.0	118.0	300.2	61.6	-	-	16.7	2-45
45x90x90L		10	21.2	152.1	152.1	19.1	32.6	34.90	11.60	5.7	2-45
45x90x90L 4N		10	22.1	160.8	160.8	30.6	30.6	65.30	17.20	6.0	2-46
90x90SL		10	14.1	130.2	130.2	28.9	28.9	42.50	13.90	3.8	2-46
90x90L		10	24.1	211.1	211.1	46.9	46.9	82.10	20.10	6.5	2-46
90x90L 4N		10	24.2	227.4	214.7	50.5	47.7	122.00	22.20	6.5	2-47
90x90L 4NVS		10	24.2	220.9	220.9	49.2	49.2	127.00	22.00	6.5	2-47
90x90		10	38.4	299.8	299.8	66.7	66.7	118.60	26.00	10.4	2-47
90x180L		10	42.8	1380.0	401.0	153.3	89.1	257.00	47.10	11.6	2-48
90x180		10	63.6	2138.3	544.3	237.6	121.0	429.00	64.00	17.2	2-48
90x360		10	90.2	14065.0	710.0	781.4	157.7	937.10	117.60	24.4	2-49
15x22.5		10	1.3	0.8	0.3	0.9	0.6	-	-	0.3	2-49
15x180		10	11.6	321.7	3.2	35.7	4.2	-	-	3.1	2-50
22.5x45		10	4.7	7.1	2.9	3.2	2.6	-	-	1.3	2-50
22.5x180		10	21.6	581.0	11.8	66.8	14.7	-	-	5.8	2-50
50x50L		10	9.3	21.2	21.2	8.5	8.5	5.37	4.30	2.5	2-51
50x100L		10	17.2	162.8	42.6	32.6	17.0	29.43	10.70	4.6	2-51
50x150L		10	25.8	540.0	64.2	72.0	25.7	52.10	20.50	6.9	2-52
100x100L		10	29.9	318.3	318.3	63.7	63.7	153.53	31.40	8.1	2-52
100x200L		10	54.0	2133.1	602.1	213.3	120.4	421.00	75.70	14.6	2-53



Profile	Groove	Profile surface A (cm <sup>2</sup> )	Moment of inertia		Moment of resistance		Torsion index		Mass m (kg/m)	Page	
			I <sub>x</sub> (cm <sup>4</sup> )	I <sub>y</sub> (cm <sup>4</sup> )	W <sub>x</sub> (cm <sup>3</sup> )	W <sub>y</sub> (cm <sup>3</sup> )	I <sub>t</sub> (cm <sup>4</sup> )	W <sub>t</sub> (cm <sup>3</sup> )			
60x60L		10	9.6	32.4	32.4	10.8	10.8	13.20	8.70	2.6	2-53
60x60		10	14.4	52.2	52.2	17.4	17.4	15.90	8.80	3.9	2-54
60x90		10	25.8	214.2	90.5	47.6	30.2	45.80	18.00	7.0	2-54
50x50 Rectangular tube		10	4.5	15.1	15.1	5.7	5.7	-	-	1.2	2-55
Frame profile 22.5x30		10	3.2	1.7	3.0	1.5	2.0	-	-	0.9	2-57
Frame profile 22.5x45		10	3.4	6.7	1.7	2.8	1.3	-	-	0.9	2-58
Angle profile		10	4.5	8.8	6.9	3.2	2.3	-	-	1.2	2-59
Suspension profile		10	2.0	2.0	0.5	2.7	0.3	-	-	0.6	2-60
30x100 L/R Grooved plate		10	9.7	88.8	9.2	17.8	6.0	-	-	2.6	2-62
30x100 M Grooved plate		10	9.7	88.8	9.2	17.8	6.0	-	-	2.6	2-62
Profile rail 30x45C		10	4.4	10.3	5.6	4.2	3.7	-	-	1.2	2-65
U-profile		10	4.4	10.4	8.3	4.6	4.1	-	-	1.2	2-66
SP 2/R		8	5.2	4.3	11.7	2.4	5.2	-	-	1.4	2-66
SP 2/B		10	10.4	49.6	25.8	12.1	11.5	-	-	2.8	2-67
SP 2/B-50		8/10	6.9	16.1	16.9	5.3	7.5	-	-	1.9	2-67
SP 2/B-100		10	11.9	95.1	30.4	20.0	13.5	-	-	3.2	2-67
SP 2/BH		10	12.4	53.7	28.6	14.0	13.8	-	-	3.3	2-68
SP 4/R		10	26.1	222.0	95.5	84.9	16.4	-	-	3.5	2-68
D28			2.4	1.5	1.5	1.1	1.1	-	-	0.7	2-70
D28x55			5.9	3.2	88.3	2.3	32.1	-	-	1.6	2-71
D28L			1.8	1.3	1.3	1.0	1.0	-	-	0.5	2-74
D28L; N10			2.6	1.2	2.0	0.8	1.4	-	-	0.7	2-74
Section profile MV45x45		10	6.2	11.8	10.5	5.3	4.7	-	-	1.7	12-28
30x30 WG30		8	3.2	2.5	3.0	1.6	1.9	-	-	0.9	10-9
30x30 WG40		8	3.2	2.4	2.9	1.5	1.8	-	-	0.9	10-9
30x45 WG30		8	4.5	7.3	4.2	3.2	2.7	-	-	1.2	10-9
30x45 WG40		8	4.5	6.9	4.1	4.3	1.8	-	-	1.2	10-9




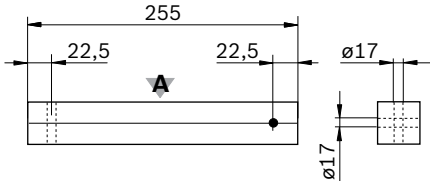
## Profile finishing

Profile finishing is required whenever interlocking connectors are used. For example, holes must be drilled for bolt connectors or threads must be cut in the central hole. This requires finishes with standard dimensions. However, individual customer requirements can only be fulfilled by providing customized profile finishing wherever desired.

Rexroth enables even these complex requirements to be met as standard. This is because we offer three options for ordering the right profile finishing:

**Example: 40x40L**

**3 842 993 126 / 255** D17  D17V



00133799

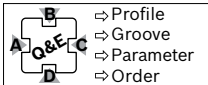
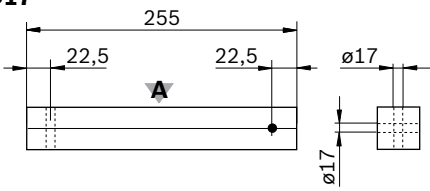
### Standard profile finishing with fixed material numbers

For certain profiles, you can receive selected profile finishing with a fixed material number. This is the easiest way to order the appropriate profile finishing for our proven interlocking profile connectors.

The available profile finishing are shown in pictograms in the order tables.

**Example: 40x40L 2N**

**3 842 993 720 / 255 / A=D17/-; B=-/D17**

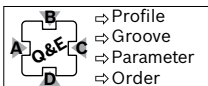
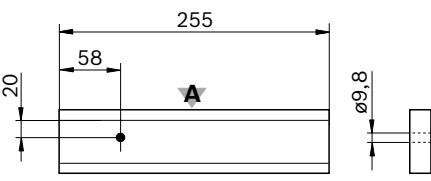
00133800

### Quick & Easy – standard profile finishing

All profile finishing with standard dimensions: available for all profiles thanks to simple configuration with Quick & Easy. For more information on the available profile finishing, see the fold-out section at the end of the catalog.

**Example: 20x60**

**3 842 993 698 / 255 / [B=D1; PS=58; OS=20; DM=9,8]**

00133801

### Quick & Easy – individual profile finishing

Get the greatest possible flexibility in defining your profile finishing. Individual finishing options can be achieved in virtually any combination and nearly every point along the profile.

For more information, see the fold-out section at the end of the catalog.



**eShop and MTpro – software tools for designers, planners, and purchasers**

Quick & Easy is supported by Rexroth’s eShop and the MTpro profile configurator.

We offer:

- ▶ Customer-friendly configuration
- ▶ Generation of 3D CAD models for designers
- ▶ Drawings at the press of a button
- ▶ Integration of frames/profiles in layouts
- ▶ Easy ordering at the click of a mouse

**45x90L**  
**3 842 993 662**

<b>3 842 993 662</b>	/ 393	/ B = D17/-
Material number	Length	Standard finishing through-hole D17 in slot B

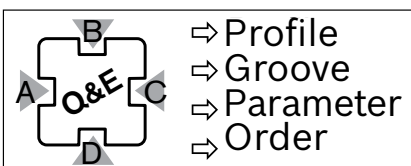
**Quick & Easy – four steps for simple ordering**

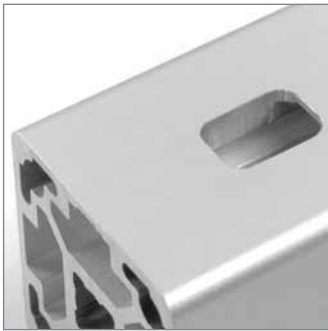
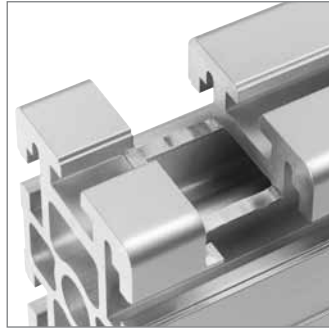
The type of profile finishing is defined in an order key; all finishes for a profile can be summarized in one order key.

1. Select profile cross-section and length
2. Specify slot for finishing: all profile slots are identified by letters (A; B; C; ...) – ascending in clockwise direction (see profile dimension drawings)
3. Define the parameters:
  - type of finishing (drilling, milling, miter cutting)
  - Distance from profile end face
4. Place order: conventionally by fax or, preferably online in our eShop

**Logical structure of the order key**

Material number/length/[slot designation = finishing; parameter set]





## Profile finishing

Rexroth offers you numerous connection options for putting strut profiles together.

The wide variety of connector types is due to the differing demands made of the applications:

- ▶ Right-angled
- ▶ Variable-angle
- ▶ Internal
- ▶ Torsion-resistant
- ▶ Vibration-resistant
- ▶ With or without profile finishing

If you require a finished profile, it can be provided for you in an installation-ready form.

When you select the corresponding material number the profile is provided in cut, burr-free form, or alternatively fully finished with drilled holes or threads.

This eliminates risk for you and reduces your production workload.

If you wish to undertake the finishing yourself, here are a few tips:

### Saw and saw blade

Segmental metal circular saw blade, carbide-tipped

Number of teeth: 92 or 96

Rotational speed: at least 2500 rpm

### Finishing of central holes

As a rule, the threads can be directly formed and cut, but countersinks facilitate their production. The central holes of the strut profiles are designed for the following thread manufacturing processes.

Threads	Finish	Note
<b>M6</b>	Thread forming	–
<b>M8</b>	Thread forming	–
<b>M12</b>	Thread cutting	–
<b>M16</b>	Thread forming	pre-drilling in some cases

### Drilling jigs

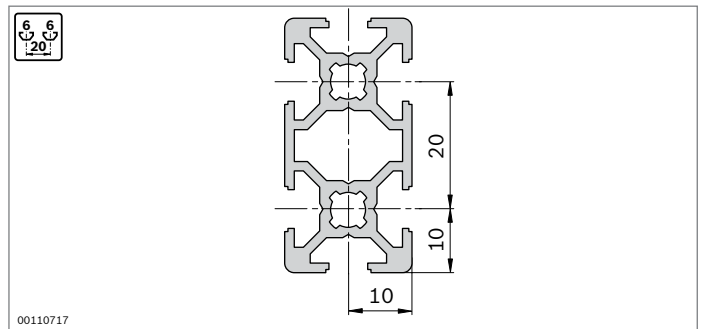
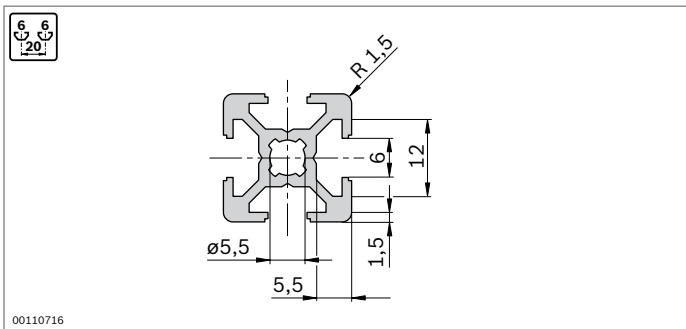
In the tools section you will find useful drilling jigs for the Rexroth standard finishes (p. 14-2).

# Strut profiles with 6 mm slot

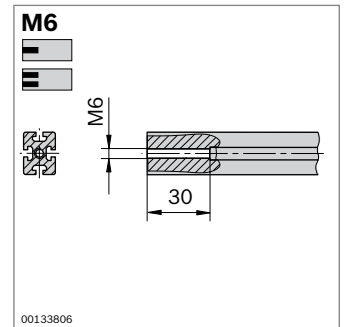
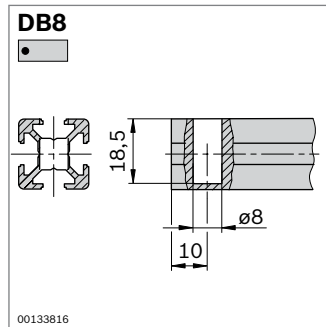
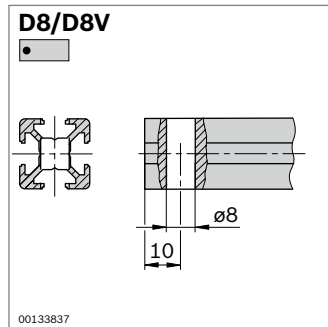
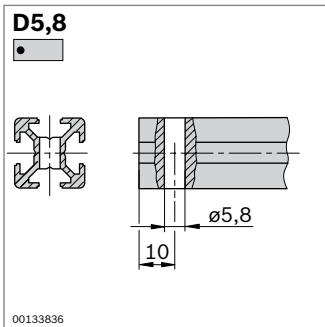
Strut profiles with 6 mm slot for light structures, such as supports and lab fixtures.

The 20x40 and 20x60 profiles are especially suitable for reinforcing; the 20x40x40 profile is suitable for constructing showcases, flow racks, and enclosures.

## Slot, modular dimensions, central bore



## Profile finishing

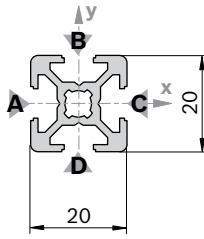


## Minimum profile lengths (mm) for Quick & Easy standard profile finishing on one or both sides

	-	M6	D5.8	D8/DB8
-	50	50	50	50
M6	50	70	50	70
D5.8	50	50	50	50
D8/DB8	50	70	50	50

**20x20**

A = 1,6 cm<sup>2</sup>  
 $I_x = 0,7 \text{ cm}^4$   
 $I_y = 0,7 \text{ cm}^4$   
 $W_x = 0,7 \text{ cm}^3$   
 $W_y = 0,7 \text{ cm}^3$   
 m = 0,4 kg/m

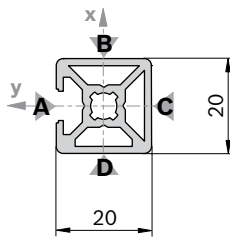


19168

Cover cap	Color	ESD	No.
20x20 (1x)	Signal gray		100 <b>3 842 548 742</b>
20x20 (1x)	Black		20 <b>3 842 548 743</b>
Material:	PP		

**20x20 1N**

A = 1,9 cm<sup>2</sup>  
 $I_x = 0,8 \text{ cm}^4$   
 $I_y = 0,8 \text{ cm}^4$   
 $W_x = 0,8 \text{ cm}^3$   
 $W_y = 0,8 \text{ cm}^3$   
 m = 0,5 kg/m

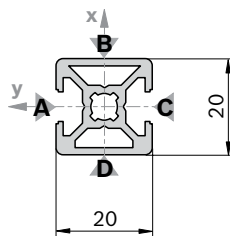


19169

Cover cap: See 20x20

**20x20 2N**

A = 1,8 cm<sup>2</sup>  
 $I_x = 0,7 \text{ cm}^4$   
 $I_y = 0,8 \text{ cm}^4$   
 $W_x = 0,7 \text{ cm}^3$   
 $W_y = 0,8 \text{ cm}^3$   
 m = 0,5 kg/m



19170

Cover cap: See 20x20

20x20	L (mm)	No.
1 pcs	50 ... 3000	<b>3 842 992 888 / L</b>
1 pcs M6	50 ... 3000	<b>3 842 993 230 / L</b>
1 pcs M6	70 ... 3000	<b>3 842 993 231 / L</b>
1 pcs M6	70 ... 3000	<b>3 842 993 494 / L</b>
1 pcs D8	50 ... 3000	<b>3 842 993 493 / L</b>
1 pcs D8	50 ... 3000	<b>3 842 993 495 / L</b>
1 pcs D8	50 ... 3000	<b>3 842 993 496 / L</b>
20 pcs	3000	<b>3 842 517 179</b>

**Quick & Easy** (p. 2-8, see fold-out section)

20x20	No.
<b>20x20</b>	<b>3 842 993 694 / ...</b>
Length L (mm)	50 ... 3000
Standard profile finishing (note minimum length, p. 2-11)	M6 / D5.8 / D8 / DB8
Customized profile finishing (L <sub>max</sub> = 2300 mm)	DI / DIS / MT / MTS / MI / MIS / DG <sup>1)</sup>

<sup>1)</sup> DG<sub>max</sub> = 45°; L<sub>min1</sub> / L<sub>min2</sub> = 335 / 370 mm

20x20 1N	L (mm)	No.
1 pcs	50 ... 3000	<b>3 842 993 421 / L</b>
20 pcs	3000	<b>3 842 536 475</b>

**Quick & Easy** (p. 2-8, see fold-out section)

20x20 1N	No.
<b>20x20 1N</b>	<b>3 842 993 690 / ...</b>
Length L (mm)	50 ... 3000
Standard profile finishing (note minimum length, p. 2-11)	M6 / D5.8 / D8 / DB8
Customized profile finishing (L <sub>max</sub> = 2300 mm)	DI / DIS / MT / MTS / MI / MIS / DG <sup>1)</sup>

<sup>1)</sup> DG<sub>max</sub> = 45°; L<sub>min1</sub> / L<sub>min2</sub> = 335 / 370 mm

20x20 2N	L (mm)	No.
1 pcs	50 ... 3000	<b>3 842 993 422 / L</b>
20 pcs	3000	<b>3 842 536 478</b>

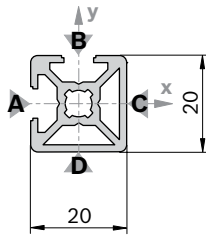
**Quick & Easy** (p. 2-8, see fold-out section)

20x20 2N	No.
<b>20x20 2N</b>	<b>3 842 993 691 / ...</b>
Length L (mm)	50 ... 3000
Standard profile finishing (note minimum length, p. 2-11)	M6 / D5.8 / D8 / DB8
Customized profile finishing (L <sub>max</sub> = 2300 mm)	DI / DIS / MT / MTS / MI / MIS / DG <sup>1)</sup>

<sup>1)</sup> DG<sub>max</sub> = 45°; L<sub>min1</sub> / L<sub>min2</sub> = 335 / 370 mm

**20x20 2NVS**

A = 1,8 cm<sup>2</sup>  
 I<sub>x</sub> = 0,7 cm<sup>4</sup>  
 I<sub>y</sub> = 0,7 cm<sup>4</sup>  
 W<sub>x</sub> = 0,7 cm<sup>3</sup>  
 W<sub>y</sub> = 0,7 cm<sup>3</sup>  
 m = 0,5 kg/m



19171

Cover cap: See 20x20

<b>20x20 2NVS</b>		<b>L (mm)</b>	<b>No.</b>
1 pcs		50 ... 3000	<b>3 842 992 924 / L</b>
20 pcs		3000	<b>3 842 519 658</b>

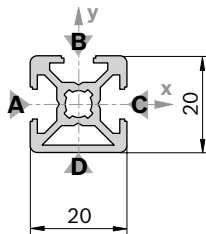
**Quick & Easy** (p. 2-8, see fold-out section)

<b>20x20 2NVS</b>		<b>3 842 993 692 / ...</b>
Length L (mm)		50 ... 3000
Standard profile finishing (note minimum length, p. 2-11)		M6 / D5.8 / D8 / DB8
Customized profile finishing (L <sub>max</sub> = 2300 mm)		DI / DIS / MT / MTS / MI / MIS / DG <sup>1)</sup>

<sup>1)</sup> DG<sub>max</sub> = 45°; L<sub>min1</sub> / L<sub>min2</sub> = 335 / 370 mm

**20x20 3N**

A = 1,7 cm<sup>2</sup>  
 I<sub>x</sub> = 0,7 cm<sup>4</sup>  
 I<sub>y</sub> = 0,8 cm<sup>4</sup>  
 W<sub>x</sub> = 0,7 cm<sup>3</sup>  
 W<sub>y</sub> = 0,7 cm<sup>3</sup>  
 m = 0,5 kg/m



19172

Cover cap: See 20x20

<b>20x20 3N</b>		<b>L (mm)</b>	<b>No.</b>
1 pcs		50 ... 3000	<b>3 842 992 889 / L</b>
20 pcs		3000	<b>3 842 517 180</b>

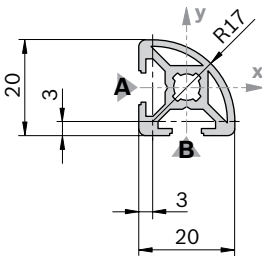
**Quick & Easy** (p. 2-8, see fold-out section)

<b>20x20 3N</b>		<b>3 842 993 693 / ...</b>
Length L (mm)		50 ... 3000
Standard profile finishing (note minimum length, p. 2-11)		M6 / D5.8 / D8 / DB8
Customized profile finishing (L <sub>max</sub> = 2300 mm)		DI / DIS / MT / MTS / MI / MIS / DG <sup>1)</sup>

<sup>1)</sup> DG<sub>max</sub> = 45°; L<sub>min1</sub> / L<sub>min2</sub> = 335 / 370 mm

**20x20 R**

A = 1,6 cm<sup>2</sup>  
 I<sub>x</sub> = 0,6 cm<sup>4</sup>  
 I<sub>y</sub> = 0,6 cm<sup>4</sup>  
 W<sub>x</sub> = 0,5 cm<sup>3</sup>  
 W<sub>y</sub> = 0,5 cm<sup>3</sup>  
 m = 0,4 kg/m



19173

<b>Cover cap</b>	<b>Color</b>	<b>ESD</b>		<b>No.</b>
<b>20x20 R (1x)</b>	Signal gray		20	<b>3 842 548 826</b>
<b>20x20 R (1x)</b>	Black		20	<b>3 842 548 827</b>

Material: PP

<b>20x20 R</b>		<b>L (mm)</b>	<b>No.</b>
1 pcs		50 ... 3000	<b>3 842 992 890 / L</b>
20 pcs		3000	<b>3 842 517 183</b>

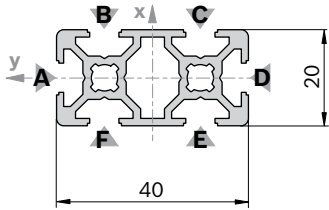
**Quick & Easy** (p. 2-8, see fold-out section)

<b>20x20 R</b>		<b>3 842 993 695 / ...</b>
Length L (mm)		50 ... 3000
Standard profile finishing (note minimum length, p. 2-11)		M6
Customized profile finishing (L <sub>max</sub> = 2300 mm)		—



**20x40**

A = 2,9 cm<sup>2</sup>  
 $I_x = 4,6 \text{ cm}^4$   
 $I_y = 1,2 \text{ cm}^4$   
 $W_x = 2,5 \text{ cm}^3$   
 $W_y = 1,4 \text{ cm}^3$   
 m = 0,8 kg/m



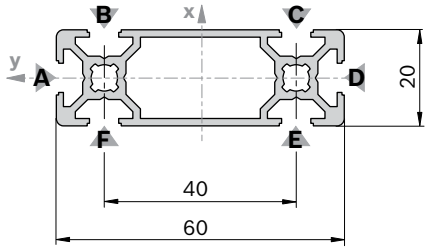
19174

Cover cap	Color	ESD	No.
20x20 (2x)	Signal gray		100 <b>3 842 548 742</b>
20x20 (2x)	Black		20 <b>3 842 548 743</b>

Material: PP

**20x60**

A = 3,5 cm<sup>2</sup>  
 $I_x = 14,2 \text{ cm}^4$   
 $I_y = 1,7 \text{ cm}^4$   
 $W_x = 4,7 \text{ cm}^3$   
 $W_y = 1,7 \text{ cm}^3$   
 m = 0,9 kg/m



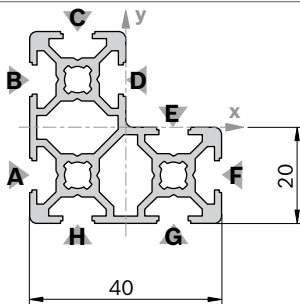
19175

Cover cap	Color	ESD	No.
20x60 (1x)	Signal gray		20 <b>3 842 548 828</b>
20x60 (1x)	Black		20 <b>3 842 548 829</b>

Material: PP

**20x40x40**

A = 4,2 cm<sup>2</sup>  
 $I_x = 6,0 \text{ cm}^4$   
 $I_y = 6,0 \text{ cm}^4$   
 $W_x = 2,6 \text{ cm}^3$   
 $W_y = 2,6 \text{ cm}^3$   
 m = 1,1 kg/m



19176

Cover cap	Color	ESD	No.
20x20 (3x)	Signal gray		100 <b>3 842 548 742</b>
20x20 (3x)	Black		20 <b>3 842 548 743</b>

Material: PP

20x40	L (mm)	No.
1 pcs	50 ... 3000	<b>3 842 992 891 / L</b>
1 pcs	50 ... 3000	<b>3 842 993 497 / L</b>
1 pcs	50 ... 3000	<b>3 842 993 499 / L</b>
1 pcs	50 ... 3000	<b>3 842 993 500 / L</b>
1 pcs	50 ... 3000	<b>3 842 993 498 / L</b>
1 pcs	50 ... 3000	<b>3 842 993 501 / L</b>
24 pcs	3000	<b>3 842 537 816</b>

Profile finishing: D8: in slots B/F, C/E  
 D8V: in slots A/D

**Quick & Easy** (p. 2-8, see fold-out section)

20x40	3 842 993 696 / ...
Length L (mm)	50 ... 3000
Standard profile finishing (note minimum length, p. 2-11)	M6 / D5.8 / D8 / DB8
Customized profile finishing (L <sub>max</sub> = 2300 mm)	DI / DIS / MT / MTS / MI / MIS / DG <sup>1)</sup>

<sup>1)</sup> DG<sub>max</sub> = 45°; L<sub>min1</sub> / L<sub>min2</sub> = 370 / 440 mm

20x60	L (mm)	No.
1 pcs	50 ... 3000	<b>3 842 992 992 / L</b>
16 pcs	3000	<b>3 842 537 819</b>

**Quick & Easy** (p. 2-8, see fold-out section)

20x60	3 842 993 698 / ...
Length L (mm)	50 ... 3000
Standard profile finishing (note minimum length, p. 2-11)	M6 / D5,8 (B,C,E,F) <sup>1)</sup> / D8 (B,C,E,F) <sup>1)</sup> / DB8
Customized profile finishing (L <sub>max</sub> = 2300 mm)	DI / DIS / MT / MTS / MI / MIS / DG <sup>2)</sup>

<sup>1)</sup> For the specified slots

<sup>2)</sup> DG<sub>max</sub> = 45°; L<sub>min1</sub> / L<sub>min2</sub> = 404 / 508 mm

20x40x40	L (mm)	No.
1 pcs	50 ... 3000	<b>3 842 992 991 / L</b>
16 pcs	3000	<b>3 842 537 818</b>

**Quick & Easy** (p. 2-8, see fold-out section)

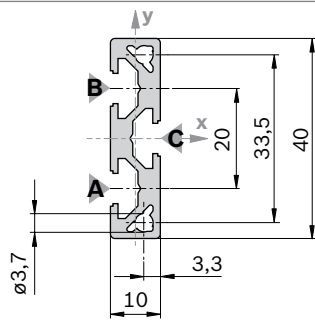
20x40x40	3 842 993 697 / ...
Length L (mm)	50 ... 3000
Standard profile finishing (note minimum length, p. 2-11)	M6 / D5.8 / D8 / DB8
Customized profile finishing (L <sub>max</sub> = 2300 mm)	DI / DIS / MT / MTS / MI / MIS / DG <sup>1)</sup>

<sup>1)</sup> DG<sub>max</sub> = 45°; L<sub>min1</sub> / L<sub>min2</sub> = 370 / 440 mm



**10x40**

A = 2,1 cm<sup>2</sup>  
 I<sub>x</sub> = 3,2 cm<sup>4</sup>  
 I<sub>y</sub> = 0,2 cm<sup>4</sup>  
 W<sub>x</sub> = 1,6 cm<sup>3</sup>  
 W<sub>y</sub> = 0,4 cm<sup>3</sup>  
 m = 0,6 kg/m



Cover cap	Color	ESD	No.
10x40 (1x)	Signal gray	20	3 842 548 766
10x40 (1x)	Black	20	3 842 548 767

Material: PP

10x40	L (mm)	No.
1 pcs	50 ... 3000	3 842 993 077 / L
10 pcs	3000	3 842 526 817

**Quick & Easy** (p. 2-8, see fold-out section)

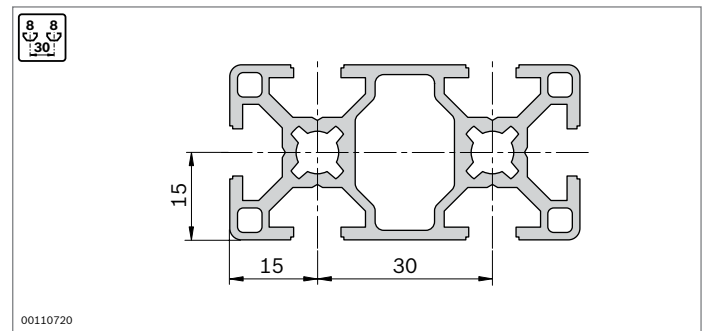
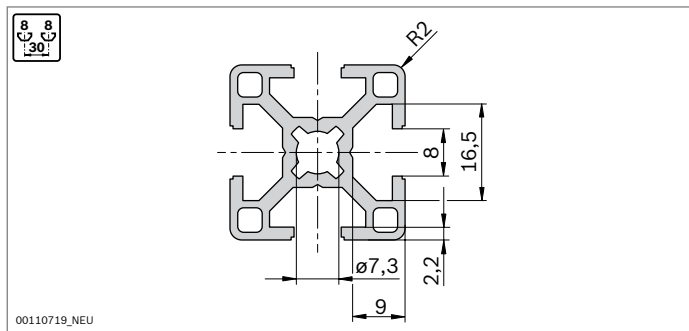
10x40	3 842 993 683 / ...
Length L (mm)	50 ... 3000
Standard profile finishing (note minimum length, p. 2-11)	D5.8/D8
Customized profile finishing	—

# Strut profiles with 8 mm slot

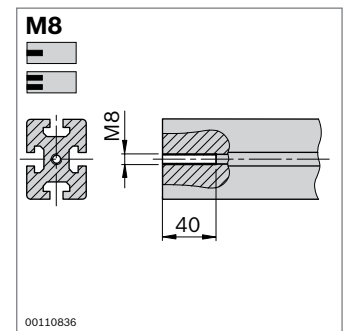
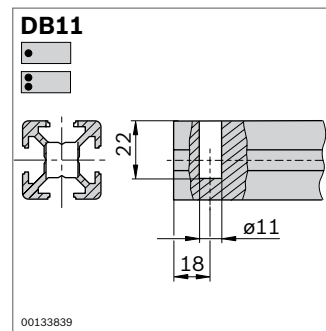
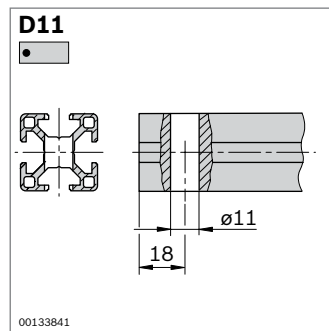
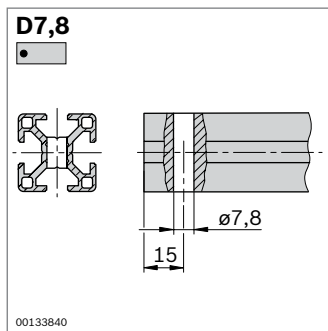
Strut profiles with a 8 mm slot are suitable for medium loads, such as material shuttles, light fixtures, frames and partition walls.

Profile 30x60x60 is suitable for constructing showcases and flow racks. Attractive covers and hoods can be designed with radius profiles.

## Slot, modular dimensions, central bore



## Profile finishing

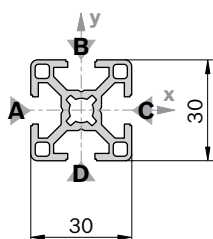


## Minimum profile lengths (mm) for Quick & Easy standard profile finishing on one or both sides

	-	M8	D7.8	D11/DB11
-	50	50	50	50
M8	50	80	62	70
D7.8	50	62	60	50
D11/DB11	50	70	50	60

**30x30**

A = 3,1 cm<sup>2</sup>  
 I<sub>x</sub> = 2,8 cm<sup>4</sup>  
 I<sub>y</sub> = 2,8 cm<sup>4</sup>  
 W<sub>x</sub> = 1,8 cm<sup>3</sup>  
 W<sub>y</sub> = 1,8 cm<sup>3</sup>  
 m = 0,9 kg/m



19178

Cover cap	Color	ESD	No.
30x30 (1x)	Signal gray		100 <b>3 842 548 744</b>
30x30 (1x)	Black		20 <b>3 842 548 745</b>

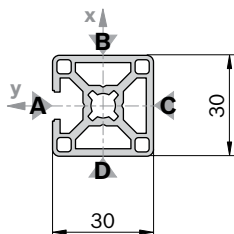
Material: PP

Cover cap with hole	Color	ESD	No.
30x30 (1x)	Signal gray		20 <b>3 842 548 774</b>
30x30 (1x)	Black		20 <b>3 842 548 775</b>

Material: PP

**30x30 1N**

A = 3,7 cm<sup>2</sup>  
 I<sub>x</sub> = 3,1 cm<sup>4</sup>  
 I<sub>y</sub> = 3,5 cm<sup>4</sup>  
 W<sub>x</sub> = 2,0 cm<sup>3</sup>  
 W<sub>y</sub> = 2,3 cm<sup>3</sup>  
 m = 1,0 kg/m

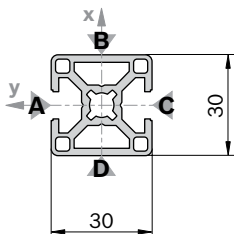


19179

Cover cap: See 30x30

**30x30 2N**

A = 3,5 cm<sup>2</sup>  
 I<sub>x</sub> = 2,8 cm<sup>4</sup>  
 I<sub>y</sub> = 3,5 cm<sup>4</sup>  
 W<sub>x</sub> = 2,1 cm<sup>3</sup>  
 W<sub>y</sub> = 2,7 cm<sup>3</sup>  
 m = 1,0 kg/m



19180

Cover cap: See 30x30

30x30	L (mm)	No.
1 pcs	50 ... 5600	<b>3 842 990 720 / L</b>
1 pcs M8	50 ... 5600	<b>3 842 990 721 / L</b>
1 pcs M8	80 ... 5600	<b>3 842 990 723 / L</b>
1 pcs M8	70 ... 5600	<b>3 842 990 724 / L</b>
1 pcs D7,8	60 ... 5600	<b>3 842 992 965 / L</b>
1 pcs D11	50 ... 5600	<b>3 842 990 722 / L</b>
1 pcs D11	60 ... 5600	<b>3 842 990 725 / L</b>
1 pcs D11	60 ... 5600	<b>3 842 990 726 / L</b>
20 pcs	5600	<b>3 842 509 178</b>

**Quick & Easy** (p. 2-8, see fold-out section)

30x30	3 842 993 703 / ...
Length L (mm)	50 ... 5600
Standard profile finishing (note minimum length, p. 2-16)	M8 / D7.8 / D11 / DB11
Customized profile finishing (L <sub>max</sub> = 4900 mm)	DI / DIS / MT / MTS / MI / MIS / DG <sup>1)</sup>

<sup>1)</sup> DG<sub>max</sub> = 45°; L<sub>min1</sub> / L<sub>min2</sub> = 352 / 404 mm

30x30 1N	L (mm)	No.
1 pcs	50 ... 5600	<b>3 842 992 397 / L</b>
20 pcs	5600	<b>3 842 506 948</b>

**Quick & Easy** (p. 2-8, see fold-out section)

30x30 1N	3 842 993 704 / ...
Length L (mm)	50 ... 5600
Standard profile finishing (note minimum length, p. 2-16)	M8 / D7.8 / D11 / DB11
Customized profile finishing (L <sub>max</sub> = 4900 mm)	DI / DIS / MT / MTS / MI / MIS / DG <sup>1)</sup>

<sup>1)</sup> DG<sub>max</sub> = 45°; L<sub>min1</sub> / L<sub>min2</sub> = 352 / 404 mm

30x30 2N	L (mm)	No.
1 pcs	50 ... 5600	<b>3 842 992 399 / L</b>
20 pcs	5600	<b>3 842 506 950</b>

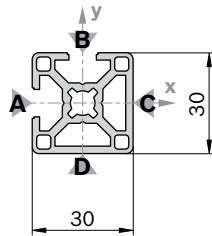
**Quick & Easy** (p. 2-8, see fold-out section)

30x30 2N	3 842 993 705 / ...
Length L (mm)	50 ... 5600
Standard profile finishing (note minimum length, p. 2-16)	M8 / D7.8 / D11 / DB11
Customized profile finishing (L <sub>max</sub> = 4900 mm)	DI / DIS / MT / MTS / MI / MIS / DG <sup>1)</sup>

<sup>1)</sup> DG<sub>max</sub> = 45°; L<sub>min1</sub> / L<sub>min2</sub> = 352 / 404 mm

**30x30 2NVS**

A = 3,5 cm<sup>2</sup>  
 $I_x = 3,1 \text{ cm}^4$   
 $I_y = 3,1 \text{ cm}^4$   
 $W_x = 2,0 \text{ cm}^3$   
 $W_y = 2,0 \text{ cm}^3$   
 m = 1,0 kg/m

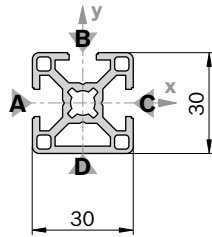


19181

Cover cap: See 30x30

**30x30 3N**

A = 3,3 cm<sup>2</sup>  
 $I_x = 3,1 \text{ cm}^4$   
 $I_y = 2,8 \text{ cm}^4$   
 $W_x = 2,3 \text{ cm}^3$   
 $W_y = 2,1 \text{ cm}^3$   
 m = 0,9 kg/m

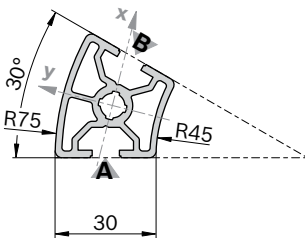


19182

Cover cap: See 30x30

**30x30°**

A = 3,7 cm<sup>2</sup>  
 $I_x = 3,5 \text{ cm}^4$   
 $I_y = 3,6 \text{ cm}^4$   
 $W_x = 2,0 \text{ cm}^3$   
 $W_y = 1,9 \text{ cm}^3$   
 m = 1,0 kg/m



19183

Cover cap	Color	ESD	No.
30x30° (1x)	Signal gray		20 <b>3 842 551 008</b>
30x30° (1x)	Black		20 <b>3 842 551 009</b>
Material:	PP		

30x30 2NVS	L (mm)	No.
1 pcs	50 ... 5600	<b>3 842 992 398 / L</b>
20 pcs	5600	<b>3 842 506 949</b>

**Quick & Easy** (p. 2-8, see fold-out section)

30x30 2NVS	3 842 993 706 / ...
Length L (mm)	50 ... 5600
Standard profile finishing (note minimum length, p. 2-16)	M8 / D7.8 / D11 / DB11
Customized profile finishing (L <sub>max</sub> = 4900 mm)	DI / DIS / MT / MTS / MI / MIS / DG <sup>1)</sup>

<sup>1)</sup> DG<sub>max</sub> = 45°; L<sub>min1</sub> / L<sub>min2</sub> = 352 / 404 mm

30x30 3N	L (mm)	No.
1 pcs	50 ... 5600	<b>3 842 992 400 / L</b>
20 pcs	5600	<b>3 842 506 951</b>

**Quick & Easy** (p. 2-8, see fold-out section)

30x30 3N	3 842 993 707 / ...
Length L (mm)	50 ... 5600
Standard profile finishing (note minimum length, p. 2-16)	M8 / D7.8 / D11 / DB11
Customized profile finishing (L <sub>max</sub> = 4900 mm)	DI / DIS / MT / MTS / MI / MIS / DG <sup>1)</sup>

<sup>1)</sup> DG<sub>max</sub> = 45°; L<sub>min1</sub> / L<sub>min2</sub> = 352 / 404 mm

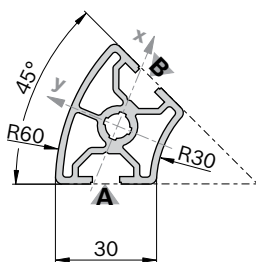
30x30°	L (mm)	No.
1 pcs	50 ... 5600	<b>3 842 993 010 / L</b>
20 pcs	5600	<b>3 842 524 031</b>

**Quick & Easy** (p. 2-8, see fold-out section)

30x30°	3 842 993 708 / ...
Length L (mm)	50 ... 5600
Standard profile finishing (note minimum length, p. 2-16)	M8
Customized profile finishing	—

**30x45°**

A = 4,0 cm<sup>2</sup>  
 I<sub>x</sub> = 3,6 cm<sup>4</sup>  
 I<sub>y</sub> = 5,1 cm<sup>4</sup>  
 W<sub>x</sub> = 2,1 cm<sup>3</sup>  
 W<sub>y</sub> = 2,3 cm<sup>3</sup>  
 m = 1,1 kg/m



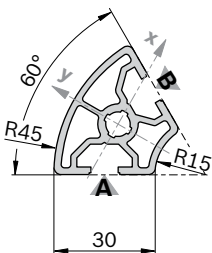
19184

Cover cap	Color	ESD	No.
30x45° (1x)	Signal gray		20 <b>3 842 551 010</b>
30x45° (1x)	Black		20 <b>3 842 551 011</b>

Material: PP

**30x60°**

A = 3,6 cm<sup>2</sup>  
 I<sub>x</sub> = 3,0 cm<sup>4</sup>  
 I<sub>y</sub> = 4,1 cm<sup>4</sup>  
 W<sub>x</sub> = 1,7 cm<sup>3</sup>  
 W<sub>y</sub> = 1,9 cm<sup>3</sup>  
 m = 1,0 kg/m



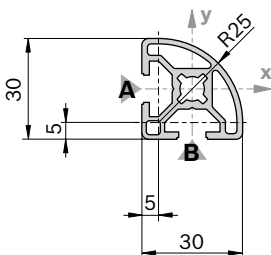
19185

Cover cap	Color	ESD	No.
30x60° (1x)	Signal gray		20 <b>3 842 551 012</b>
30x60° (1x)	Black		20 <b>3 842 551 013</b>

Material: PP

**30x30 R**

A = 2,9 cm<sup>2</sup>  
 I<sub>x</sub> = 2,3 cm<sup>4</sup>  
 I<sub>y</sub> = 2,3 cm<sup>4</sup>  
 W<sub>x</sub> = 1,4 cm<sup>3</sup>  
 W<sub>y</sub> = 1,4 cm<sup>3</sup>  
 m = 0,8 kg/m



19186

Cover cap	Color	ESD	No.
30x30 R (1x)	Signal gray		20 <b>3 842 548 776</b>
30x30 R (1x)	Black		20 <b>3 842 548 777</b>

Material: PP

30x45°	L (mm)	No.
1 pcs	50 ... 5600	<b>3 842 993 011 / L</b>
20 pcs	5600	<b>3 842 524 034</b>

**Quick & Easy** (p. 2-8, see fold-out section)

30x45°	3 842 993 711 / ...
Length L (mm)	50 ... 5600
Standard profile finishing (note minimum length, p. 2-16)	M8
Customized profile finishing	—

30x60°	L (mm)	No.
1 pcs	50 ... 5600	<b>3 842 993 012 / L</b>
20 pcs	5600	<b>3 842 524 037</b>

**Quick & Easy** (p. 2-8, see fold-out section)

30x60°	3 842 993 714 / ...
Length L (mm)	50 ... 5600
Standard profile finishing (note minimum length, p. 2-16)	M8
Customized profile finishing	—

30x30 R	L (mm)	No.
1 pcs	50 ... 5600	<b>3 842 992 896 / L</b>
20 pcs	5600	<b>3 842 517 198</b>

**Quick & Easy** (p. 2-8, see fold-out section)

30x30 R	3 842 993 709 / ...
Length L (mm)	50 ... 5600
Standard profile finishing (note minimum length, p. 2-15)	M8 / DB11
Customized profile finishing	—

**30x60**

A = 5,5 cm<sup>2</sup>  
 $I_x = 19,6 \text{ cm}^4$   
 $I_y = 5,1 \text{ cm}^4$   
 $W_x = 7,0 \text{ cm}^3$   
 $W_y = 3,9 \text{ cm}^3$   
 m = 1,5 kg/m

19187

Cover cap	Color	ESD	No.
30x30 (2x)	Signal gray	100	3 842 548 744
30x60 (1x)	Signal gray	20	3 842 548 780
30x30 (2x)	Black	20	3 842 548 745
30x60 (1x)	Black	20	3 842 548 781

Material: PP

Cover cap with hole	Color	ESD	No.
30x30 (2x)	Signal gray	20	3 842 548 774
30x30 (2x)	Black	20	3 842 548 775

Material: PP

**30x60 4N**

A = 5,8 cm<sup>2</sup>  
 $I_x = 20,2 \text{ cm}^4$   
 $I_y = 5,5 \text{ cm}^4$   
 $W_x = 6,7 \text{ cm}^3$   
 $W_y = 3,8 \text{ cm}^3$   
 m = 1,6 kg/m

19188

Cover cap: See 30x60

**30x60x60**

A = 8,2 cm<sup>2</sup>  
 $I_x = 26,2 \text{ cm}^4$   
 $I_y = 26,2 \text{ cm}^4$   
 $W_x = 7,6 \text{ cm}^3$   
 $W_y = 7,6 \text{ cm}^3$   
 m = 2,2 kg/m

19189

Cover cap	Color	ESD	No.
30x30 (3x)	Signal gray	100	3 842 548 744
30x30 (3x)	Black	20	3 842 548 745

Material: PP

30x60	L (mm)	No.
1 pcs	50 ... 5600	3 842 992 457 / L
1 pcs M8	50 ... 5600	3 842 992 458 / L
1 pcs M8	80 ... 5600	3 842 992 926 / L
1 pcs D11	50 ... 5600	3 842 992 459 / L
1 pcs D11	60 ... 5600	3 842 992 460 / L
1 pcs D11	60 ... 5600	3 842 992 463 / L
1 pcs D11V	60 ... 5600	3 842 992 462 / L
10 pcs	5600	3 842 512 603

Profile finishing: M8: in all core holes  
 D11: in slots B/F, C/E  
 D11V: in slots A/D

Quick & Easy (p. 2-8, see fold-out section)

30x60	No.
30x60	3 842 993 712 / ...
Length L (mm)	50 ... 5600
Standard profile finishing (note minimum length, p. 2-16)	M8 / D7.8 / D11 / DB11
Customized profile finishing (L <sub>max</sub> = 4900 mm)	DI / DIS / MT / MTS / MI / MIS / DG <sup>1)</sup>

<sup>1)</sup> DG<sub>max</sub> = 45°; L<sub>min1</sub> / L<sub>min2</sub> = 404 / 508 mm

30x60 4N	L (mm)	No.
1 pcs	50 ... 6000	3 842 993 420 / L
10 pcs	6070	3 842 536 472

Quick & Easy (p. 2-8, see fold-out section)

30x60 4N	No.
30x60 4N	3 842 993 713 / ...
Length L (mm)	50 ... 6000
Standard profile finishing (note minimum length, p. 2-16)	M8 / D7.8 / D11 / DB11
Customized profile finishing (L <sub>max</sub> = 5400 mm)	DI / DIS / MT / MTS / MI / MIS / DG <sup>1)</sup>

<sup>1)</sup> DG<sub>max</sub> = 45°; L<sub>min1</sub> / L<sub>min2</sub> = 404 / 508 mm

30x60x60	L (mm)	No.
1 pcs	50 ... 5600	3 842 993 016 / L
20 pcs	5600	3 842 524 049

Quick & Easy (p. 2-8, see fold-out section)

30x60x60	No.
30x60x60	3 842 993 715 / ...
Length L (mm)	50 ... 5600
Standard profile finishing (note minimum length, p. 2-16)	M8 / D7.8 / D11 / DB11
Customized profile finishing (L <sub>max</sub> = 4900 mm)	DI / DIS / MT / MTS / MI / MIS / DG <sup>1)</sup>

<sup>1)</sup> DG<sub>max</sub> = 45°; L<sub>min1</sub> / L<sub>min2</sub> = 404 / 508 mm

**30x90**

A = 7,7 cm<sup>2</sup>  
 I<sub>x</sub> = 60,7 cm<sup>4</sup>  
 I<sub>y</sub> = 7,3 cm<sup>4</sup>  
 W<sub>x</sub> = 13,5 cm<sup>3</sup>  
 W<sub>y</sub> = 4,9 cm<sup>3</sup>  
 m = 2,1 kg/m

8 8  
30

19190

Cover cap	Color	ESD	No.
30x30 (3x)	Signal gray	100	3 842 548 744
30x30 (3x)	Black	20	3 842 548 745

Material: PP

Cover cap with hole	Color	ESD	No.
30x30 (3x)	Signal gray	20	3 842 548 774
30x30 (3x)	Black	20	3 842 548 775

Material: PP

**30x120**

A = 9,9 cm<sup>2</sup>  
 I<sub>x</sub> = 136,3 cm<sup>4</sup>  
 I<sub>y</sub> = 9,6 cm<sup>4</sup>  
 W<sub>x</sub> = 22,7 cm<sup>3</sup>  
 W<sub>y</sub> = 6,4 cm<sup>3</sup>  
 m = 2,7 kg/m

8 8  
30

19191

Cover cap	Color	ESD	No.
30x30 (4x)	Signal gray	100	3 842 548 744
30x60 (2x)	Signal gray	20	3 842 548 780
30x30 (4x)	Black	20	3 842 548 745
30x60 (2x)	Black	20	3 842 548 781

Material: PP

Cover cap with hole	Color	ESD	No.
30x30 (4x)	Signal gray	20	3 842 548 774
30x30 (4x)	Black	20	3 842 548 775

Material: PP

30x90	L (mm)	No.
20 pcs	6070	3 842 541 937

Quick & Easy (p. 2-8, see fold-out section)

30x90	3 842 993 762 / ...
Length L (mm)	50 ... 6000
Standard profile finishing (note minimum length, p. 2-16)	M8 / D7,8 (B,C,D,F,G,H) <sup>1)</sup> / D11 (B,C,D,F,G,H) <sup>1)</sup> / DB11
Customized profile finishing (L <sub>max</sub> = 5400 mm)	DI / DIS / MT / MTS / MI / MIS / DG <sup>2)</sup>

<sup>1)</sup> For the specified slots

<sup>2)</sup> DG<sub>max</sub> = 45°; L<sub>min1</sub> / L<sub>min2</sub> = 150 / 150 mm

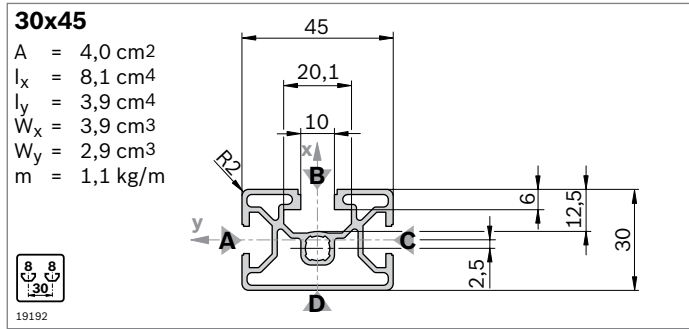
30x120	L (mm)	No.
20 pcs	6070	3 842 541 939

Quick & Easy (p. 2-8, see fold-out section)

30x120	3 842 993 763 / ...
Length L (mm)	50 ... 6000
Standard profile finishing (note minimum length, p. 2-16)	M8 / D7.8 (B,C,D,E, G,H,I,J) <sup>1)</sup> / D11 (B,C,D,E, G,H,I,J) <sup>1)</sup> / DB11
Customized profile finishing (L <sub>max</sub> = 5400 mm)	DI / DIS / MT / MTS / MI / MIS / DG <sup>2)</sup>

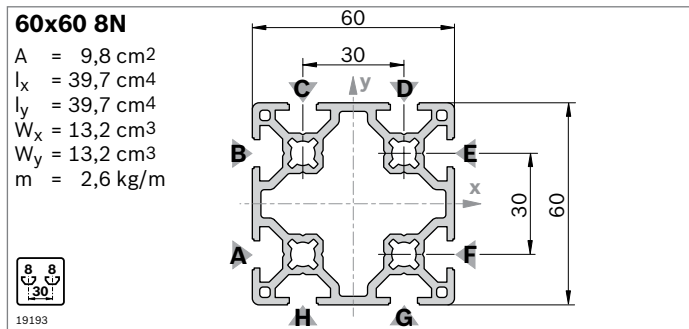
<sup>1)</sup> For the specified slots

<sup>2)</sup> DG<sub>max</sub> = 45°; L<sub>min1</sub> / L<sub>min2</sub> = 150 / 150 mm



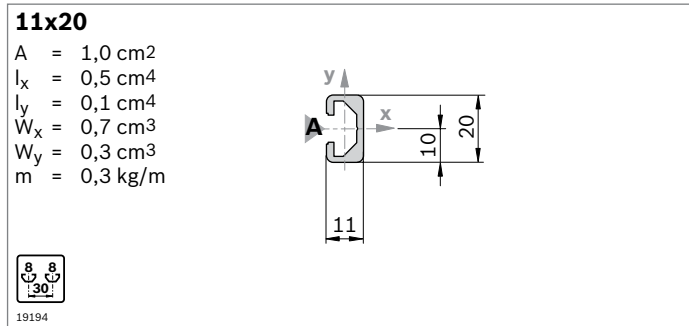
Cover cap	Color	ESD	No.
30x45 (1x)	Signal gray		20 <b>3 842 548 778</b>
30x45 (1x)	Black		20 <b>3 842 548 779</b>

Material: PP



Cover cap	Color	ESD	No.
60x60 8N (1x)	Signal gray		20 <b>3 842 551 046</b>
60x60 8N (1x)	Black		20 <b>3 842 551 047</b>

Material: PP



Cover cap	Color	ESD	No.
11x20 (1x)	Signal gray		20 <b>3 842 551 044</b>
11x20 (1x)	Black		20 <b>3 842 551 045</b>

Material: PP

30x45	L (mm)	No.
1 pcs	50 ... 5600	<b>3 842 992 430 / L</b>
1 pcs	50 ... 5600	<b>3 842 992 431 / L</b>
18 pcs	5600	<b>3 842 511 704</b>

**Quick & Easy** (p. 2-8, see fold-out section)

30x45	No.
Length L (mm)	50 ... 5600
Standard profile finishing (note minimum length, p. 2-16)	M8 / D7.8 (A,C) <sup>1)</sup> / D9,8 (B) <sup>1)</sup> / D11 (A,C) <sup>1)</sup> / DB11 / D17 (B) <sup>1)</sup>
Customized profile finishing (L <sub>max</sub> = 5400 mm)	DI / DIS / MT / MTS / MI / MIS / DG <sup>2)</sup>

<sup>1)</sup> For the specified slots

<sup>2)</sup> DG<sub>max</sub> = 45°; L<sub>min1</sub> / L<sub>min2</sub> = 378 / 456 mm

60x60 8N	L (mm)	No.
1 pcs	50 ... 6000	<b>3 842 993 033 / L</b>
20 pcs	6070	<b>3 842 535 176</b>

**Quick & Easy** (p. 2-8, see fold-out section)

60x60 8N	No.
Length L (mm)	50 ... 6000
Standard profile finishing (note minimum length, p. 2-16)	M8 / D7.8 / D11 / DB11
Customized profile finishing (L <sub>max</sub> = 5400 mm)	DI / DIS / MT / MTS / MI / MIS / DG <sup>2)</sup>

<sup>2)</sup> DG<sub>max</sub> = 45°; L<sub>min1</sub> / L<sub>min2</sub> = 404 / 508 mm

11x20	L (mm)	No.
1 pcs	50 ... 2000	<b>3 842 992 476 / L</b>
10 pcs	2000	<b>3 842 513 581</b>

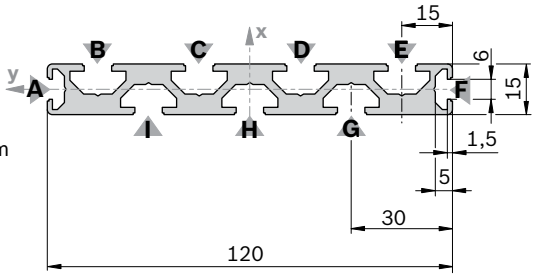
**Quick & Easy** (p. 2-8, see fold-out section)

11x20	No.
Length L (mm)	50 ... 2000
Standard profile finishing (note minimum length, p. 2-16)	D7.8 / D11
Customized profile finishing	—



**15x120**

A = 9,0 cm<sup>2</sup>  
 $I_x = 110,4 \text{ cm}^4$   
 $I_y = 2,2 \text{ cm}^4$   
 $W_x = 18,4 \text{ cm}^3$   
 $W_y = 2,7 \text{ cm}^3$   
 m = 2,4 kg/m



Cover cap	Color	ESD	No.
15x120 (1x)	Signal gray	20	3 842 548 768
15x120 (1x)	Black	20	3 842 548 769

Material: PP

15x120	L (mm)	No.
1 pcs	50 ... 3000	3 842 993 078 / L
10 pcs	3000	3 842 537 821

**Quick & Easy** (p. 2-8, see fold-out section)

15x120	3 842 993 684 / ...
Length L (mm)	80 ... 3000
Standard profile finishing (note minimum length, p. 2-16)	D7,8 (B,C,D,E,G,H,I) <sup>1)</sup> / D11 (B,C,D,E,G,H,I) <sup>1)</sup>
Customized profile finishing (L <sub>max</sub> = 2300 mm)	DI / DIS / MT / MTS / MI / MIS

<sup>1)</sup> For the specified slots

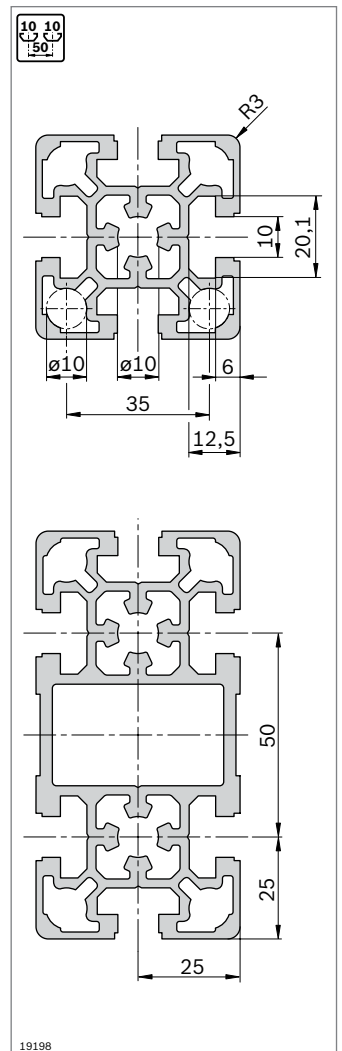
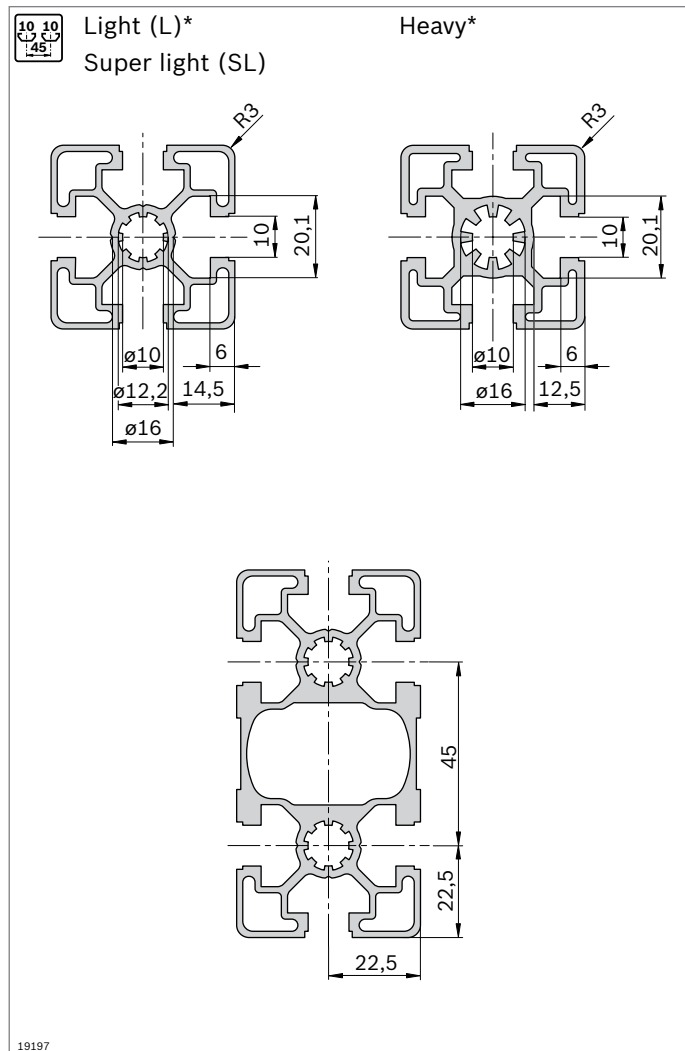
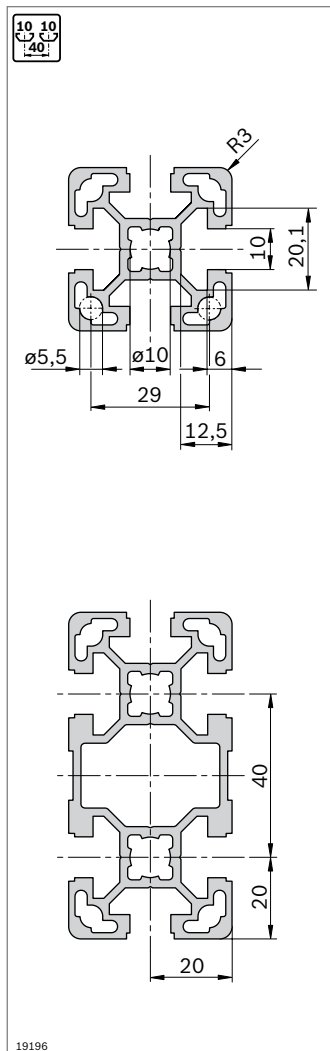
## Strut profiles with 10 mm slot

The Rexroth modular profile system, with 10 mm slots in the modular dimensions 40 mm, 45 mm, 50 mm, and 60 mm, covers all conventional profile dimensions on the world market.

45 mm, and 50 mm, e.g. 50x50L) combine high strengths with minimum use of materials. This gives you a cost-effective and stable solution for the construction of tables, protection devices or frames, for instance.

Thanks to their computer-optimized design, the strut profiles L with 10 mm slot (modular dimensions 40 mm,

### Slot, modular dimensions, central bore



\*) The following L-profiles have a "heavy" slot geometry:  
45x90x90L; 45x90x90L 4N; 90x90L; 90x90L 4N; 90x90L 4NVS; 90x180L

**Minimum profile lengths (mm) for Quick & Easy standard profile finishing on one or both sides**

	-	M12	M16	D9.8	D17/DB17	F1
-	50	60	120	50	60	60
M12	60	110	180	90	90	110
M16	120	180	240	150	170	170
D9.8	50	90	150	80	70	90
D17/DB17	60	90	170	70	80	90
F1	60	110	170	90	90	80

For applications with high loads, we recommend especially stable profiles with 10 mm slots, e.g. for heavy work tables, fixtures, machine frames, transport shuttles, protective enclosures, and handling systems.

Due to its very sturdy design, this slot allows maximum strength connections.

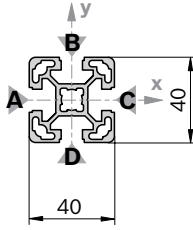
**Profile finishing**

The diagram grid illustrates the following finishing methods and dimensions:

- D9.8:** Slot width  $p$ , diameter  $\phi 9.8$ , length  $p/2$ . ID: 00133811
- D17:** Slot width  $p$ , diameter  $\phi 17$ , length  $22.5$ . ID: 00133812
- DB17:** Slot width  $p$ , diameter  $\phi 17$ , length  $22.5$ . ID: 00133843
- M12:** Slot width  $p$ , diameter  $\phi 12$ , length  $55$ . ID: 00110837
- M16-D22:** Slot width  $p$ , diameter  $\phi 22$ , length  $115$ . ID: 00110839
- D28:** Slot width  $p$ , diameter  $\phi 28$ , length  $33$ . ID: 00110850
- M16:** Slot width  $p$ , diameter  $\phi 16$ , length  $115$ . ID: 00110838
- LF:** Slot width  $p$ , diameter  $\phi 17$ , length  $22.5$ . ID: 00110851
- LF-S:** Slot width  $p$ , diameter  $\phi 17$ , length  $22.5$ . ID: 00110852
- F1:** Slot width  $p$ , diameter  $\phi 17$ , length  $18$ . ID: 00133815
- F1/F1V:** Slot width  $p$ , diameter  $\phi 17$ , length  $18$ . ID: 00110848

**40x40L**

A = 5,6 cm<sup>2</sup>  
 $I_x = 9,1 \text{ cm}^4$   
 $I_y = 9,1 \text{ cm}^4$   
 $W_x = 4,5 \text{ cm}^3$   
 $W_y = 4,5 \text{ cm}^3$   
 m = 1,5 kg/m



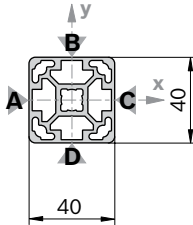
19199

Cover cap	Color	ESD	No.
40x40 (1x)	Signal gray		100 <b>3 842 548 746</b>
40x40 (1x)	Black		20 <b>3 842 548 747</b>
Material:	PP		

Cover cap with hole	Color	ESD	No.
40x40 (1x)	Signal gray		20 <b>3 842 548 782</b>
40x40 (1x)	Black		20 <b>3 842 548 783</b>
Material:	PP		

**40x40L ON**

A = 6,3 cm<sup>2</sup>  
 $I_x = 10,4 \text{ cm}^4$   
 $I_y = 10,4 \text{ cm}^4$   
 $W_x = 5,2 \text{ cm}^3$   
 $W_y = 5,2 \text{ cm}^3$   
 m = 1,7 kg/m

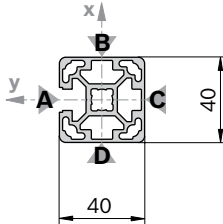


19200

Cover cap: See 40x40

**40x40L 1N**

A = 6,1 cm<sup>2</sup>  
 $I_x = 9,8 \text{ cm}^4$   
 $I_y = 10,3 \text{ cm}^4$   
 $W_x = 4,7 \text{ cm}^3$   
 $W_y = 5,1 \text{ cm}^3$   
 m = 1,7 kg/m



19201

Cover cap: See 40x40

40x40L	L (mm)	No.
1 pcs	50 ... 6000	<b>3 842 993 120 / L</b>
1 pcs M12	60 ... 6000	<b>3 842 993 121 / L</b>
1 pcs M12  M12	110 ... 6000	<b>3 842 993 122 / L</b>
1 pcs M12  D17	90 ... 6000	<b>3 842 993 123 / L</b>
1 pcs D17	50 ... 6000	<b>3 842 993 124 / L</b>
1 pcs D17  D17	80 ... 6000	<b>3 842 993 125 / L</b>
1 pcs D17  D17V	80 ... 6000	<b>3 842 993 126 / L</b>
1 pcs D9,8  D9,8	80 ... 6000	<b>3 842 993 129 / L</b>
20 pcs	6070	<b>3 842 529 339</b>

**Quick & Easy** (p. 2-8, see fold-out section)

40x40L	3 842 993 724 / ...
Length L (mm)	50 ... 6000
Standard profile finishing (note minimum length, p. 2-25)	M12 / D9,8 / D17 / DB17 / F1 (A) <sup>1)</sup>
Customized profile finishing (L <sub>max</sub> = 5400 mm)	DI / DIS / MT / MTS / MI / MIS / DG <sup>2)</sup>

<sup>1)</sup> For the specified slots

<sup>2)</sup> DG<sub>max</sub> = 45°; L<sub>min1</sub> / L<sub>min2</sub> = 370 / 440 mm

40x40L ON	L (mm)	No.
20 pcs	6070	<b>3 842 540 954</b>

**Quick & Easy** (p. 2-8, see fold-out section)

40x40L ON	3 842 993 760 / ...
Length L (mm)	50 ... 6000
Standard profile finishing (note minimum length, p. 2-25)	M12 / D9.8 / D17 / DB17
Customized profile finishing (L <sub>max</sub> = 5400 mm)	DI / DIS / MT / MTS / MI / MIS / DG <sup>1)</sup>

<sup>1)</sup> DG<sub>max</sub> = 45°; L<sub>min1</sub> / L<sub>min2</sub> = 370 / 440 mm

40x40L 1N	L (mm)	No.
1 pcs	50 ... 6000	<b>3 842 993 185 / L</b>
1 pcs M12  M12	110 ... 6000	<b>3 842 993 186 / L</b>
20 pcs	6070	<b>3 842 529 361</b>

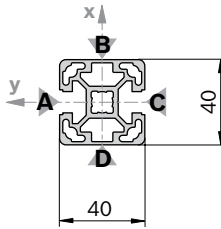
**Quick & Easy** (p. 2-8, see fold-out section)

40x40L 1N	3 842 993 719 / ...
Length L (mm)	50 ... 6000
Standard profile finishing (note minimum length, p. 2-25)	M12 / D9.8 / D17 / DB17
Customized profile finishing (L <sub>max</sub> = 5400 mm)	DI / DIS / MT / MTS / MI / MIS / DG <sup>1)</sup>

<sup>1)</sup> DG<sub>max</sub> = 45°; L<sub>min1</sub> / L<sub>min2</sub> = 370 / 440 mm

**40x40L 2N**

A = 6,0 cm<sup>2</sup>  
 I<sub>x</sub> = 9,0 cm<sup>4</sup>  
 I<sub>y</sub> = 10,3 cm<sup>4</sup>  
 W<sub>x</sub> = 4,5 cm<sup>3</sup>  
 W<sub>y</sub> = 5,2 cm<sup>3</sup>  
 m = 1,6 kg/m



19202

Cover cap: See 40x40

40x40L 2N	L (mm)	No.
1 pcs	50 ... 6000	<b>3 842 993 187 / L</b>
1 pcs M12	110 ... 6000	<b>3 842 993 188 / L</b>
20 pcs	6070	<b>3 842 529 363</b>

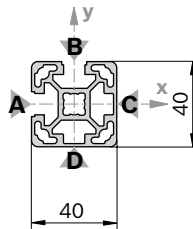
**Quick & Easy** (p. 2-8, see fold-out section)

40x40L 2N	3 842 993 720 / ...
Length L (mm)	50 ... 6000
Standard profile finishing (note minimum length, p. 2-25)	M12 / D9.8 / D17 / DB17
Customized profile finishing (L <sub>max</sub> = 5400 mm)	DI / DIS / MT / MTS / MI / MIS / DG <sup>1)</sup>

<sup>1)</sup> DG<sub>max</sub> = 45°; L<sub>min1</sub> / L<sub>min2</sub> = 370 / 440 mm

**40x40L 2NVS**

A = 6,0 cm<sup>2</sup>  
 I<sub>x</sub> = 9,7 cm<sup>4</sup>  
 I<sub>y</sub> = 9,7 cm<sup>4</sup>  
 W<sub>x</sub> = 4,9 cm<sup>3</sup>  
 W<sub>y</sub> = 4,9 cm<sup>3</sup>  
 m = 1,6 kg/m



19203

Cover cap: See 40x40

40x40L 2NVS	L (mm)	No.
1 pcs	50 ... 6000	<b>3 842 993 189 / L</b>
1 pcs M12	110 ... 6000	<b>3 842 993 190 / L</b>
20 pcs	6070	<b>3 842 529 365</b>

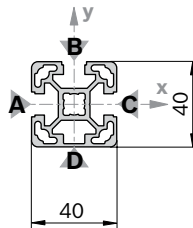
**Quick & Easy** (p. 2-8, see fold-out section)

40x40L 2NVS	3 842 993 721 / ...
Length L (mm)	50 ... 6000
Standard profile finishing (note minimum length, p. 2-25)	M12 / D9.8 / D17 / DB17
Customized profile finishing (L <sub>max</sub> = 5400 mm)	DI / DIS / MT / MTS / MI / MIS / DG <sup>1)</sup>

<sup>1)</sup> DG<sub>max</sub> = 45°; L<sub>min1</sub> / L<sub>min2</sub> = 370 / 440 mm

**40x40L 3N**

A = 5,8 cm<sup>2</sup>  
 I<sub>x</sub> = 9,7 cm<sup>4</sup>  
 I<sub>y</sub> = 9,0 cm<sup>4</sup>  
 W<sub>x</sub> = 4,8 cm<sup>3</sup>  
 W<sub>y</sub> = 4,5 cm<sup>3</sup>  
 m = 1,6 kg/m



19204

Cover cap: See 40x40

40x40L 3N	L (mm)	No.
1 pcs	50 ... 6000	<b>3 842 993 191 / L</b>
1 pcs M12	110 ... 6000	<b>3 842 993 192 / L</b>
20 pcs	6070	<b>3 842 529 367</b>

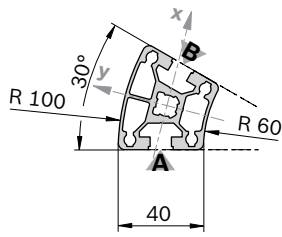
**Quick & Easy** (p. 2-8, see fold-out section)

40x40L 3N	3 842 993 722 / ...
Length L (mm)	50 ... 6000
Standard profile finishing (note minimum length, p. 2-25)	M12 / D9.8 / D17 / DB17
Customized profile finishing (L <sub>max</sub> = 5400 mm)	DI / DIS / MT / MTS / MI / MIS / DG <sup>1)</sup>

<sup>1)</sup> DG<sub>max</sub> = 45°; L<sub>min1</sub> / L<sub>min2</sub> = 370 / 440 mm

**40x30°**

A = 6,2 cm<sup>2</sup>  
 $I_x = 9,4 \text{ cm}^4$   
 $I_y = 11,8 \text{ cm}^4$   
 $W_x = 4,7 \text{ cm}^3$   
 $W_y = 5,9 \text{ cm}^3$   
 m = 1,7 kg/m



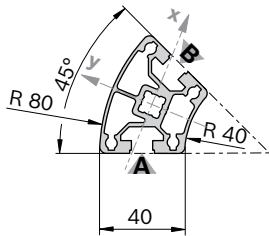
19205

Cover cap	Color	ESD	No.
40x30° (1x)	Signal gray		20 <b>3 842 551 014</b>
40x30° (1x)	Black		20 <b>3 842 551 015</b>

Material: PP

**40x45°**

A = 6,8 cm<sup>2</sup>  
 $I_x = 9,9 \text{ cm}^4$   
 $I_y = 16,6 \text{ cm}^4$   
 $W_x = 5,0 \text{ cm}^3$   
 $W_y = 8,3 \text{ cm}^3$   
 m = 1,8 kg/m



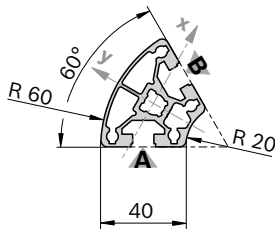
19206

Cover cap	Color	ESD	No.
40x45° (1x)	Signal gray		20 <b>3 842 551 016</b>
40x45° (1x)	Black		20 <b>3 842 551 017</b>

Material: PP

**40x60°**

A = 6,3 cm<sup>2</sup>  
 $I_x = 8,7 \text{ cm}^4$   
 $I_y = 13,1 \text{ cm}^4$   
 $W_x = 4,3 \text{ cm}^3$   
 $W_y = 6,5 \text{ cm}^3$   
 m = 1,7 kg/m



19207

Cover cap	Color	ESD	No.
40x60° (1x)	Signal gray		20 <b>3 842 551 018</b>
40x60° (1x)	Black		20 <b>3 842 551 019</b>

Material: PP

40x30°	L (mm)	No.
1 pcs	50 ... 6000	<b>3 842 993 195 / L</b>
12 pcs	6070	<b>3 842 529 371</b>

**Quick & Easy** (p. 2-8, see fold-out section)

40x30°	3 842 993 718 / ...
Length L (mm)	50 ... 6000
Standard profile finishing (note minimum length, p. 2-25)	M12
Customized profile finishing	—

40x45°	L (mm)	No.
1 pcs	50 ... 6000	<b>3 842 993 197 / L</b>
12 pcs	6070	<b>3 842 529 373</b>

**Quick & Easy** (p. 2-8, see fold-out section)

40x45°	3 842 993 726 / ...
Length L (mm)	50 ... 6000
Standard profile finishing (note minimum length, p. 2-25)	M12
Customized profile finishing	—

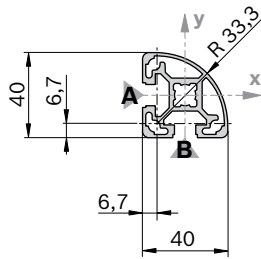
40x60°	L (mm)	No.
1 pcs	50 ... 6000	<b>3 842 993 198 / L</b>
12 pcs	6070	<b>3 842 529 375</b>

**Quick & Easy** (p. 2-8, see fold-out section)

40x60°	3 842 993 727 / ...
Length L (mm)	50 ... 6000
Standard profile finishing (note minimum length, p. 2-25)	M12
Customized profile finishing	—

**40x40L R**

A = 5,0 cm<sup>2</sup>  
 I<sub>x</sub> = 7,2 cm<sup>4</sup>  
 I<sub>y</sub> = 7,2 cm<sup>4</sup>  
 W<sub>x</sub> = 3,6 cm<sup>3</sup>  
 W<sub>y</sub> = 3,6 cm<sup>3</sup>  
 m = 1,3 kg/m



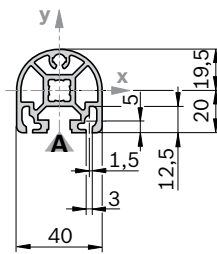
19208

Cover cap	Color	ESD	No.
40x40 R (1x)	Signal gray		20 <b>3 842 548 784</b>
40x40 R (1x)	Black		20 <b>3 842 548 785</b>

Material: PP

**40x40 HR**

A = 5,5 cm<sup>2</sup>  
 I<sub>x</sub> = 8,1 cm<sup>4</sup>  
 I<sub>y</sub> = 7,6 cm<sup>4</sup>  
 W<sub>x</sub> = 4,0 cm<sup>3</sup>  
 W<sub>y</sub> = 3,6 cm<sup>3</sup>  
 m = 1,5 kg/m



19209

Cover cap	Color	ESD	No.
40x40 HR (1x)	Signal gray		20 <b>3 842 548 786</b>
40x40 HR (1x)	Black		20 <b>3 842 548 787</b>

Material: PP

Cap with hole <sup>1)</sup>	Color	ESD	No.
40x40 HR (1x)	Signal gray		20 <b>3 842 548 786</b>
40x40 HR (1x)	Black		20 <b>3 842 548 787</b>

Material: PP

<sup>1)</sup> The cover cap is also suitable for use with a hole, which can be broken out

40x40L R	L (mm)	No.
1 pcs	50 ... 6000	<b>3 842 993 184 / L</b>
20 pcs	6070	<b>3 842 529 359</b>

**Quick & Easy** (p. 2-8, see fold-out section)

40x40L R	3 842 993 725 / ...
Length L (mm)	50 ... 6000
Standard profile finishing (note minimum length, p. 2-25)	M12 / DB17 (A,B) <sup>1)</sup>
Customized profile finishing	—

<sup>1)</sup> For the specified slots

40x40 HR	L (mm)	No.
1 pcs	50 ... 6000	<b>3 842 993 256 / L</b>
1 pcs M12	110 ... 6000	<b>3 842 993 257 / L</b>
20 pcs	6070	<b>3 842 529 381</b>

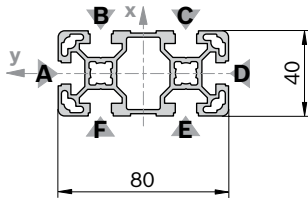
**Quick & Easy** (p. 2-8, see fold-out section)

40x40 HR	3 842 993 723 / ...
Length L (mm)	50 ... 6000
Standard profile finishing (note minimum length, p. 2-25)	M12 / DB17
Customized profile finishing (L <sub>max</sub> = 5400 mm)	DI / DIS / MT / MTS / MI / MIS / DG <sup>1)</sup>

<sup>1)</sup> DG<sub>max</sub> = 45°; L<sub>min1</sub> / L<sub>min2</sub> = 370 / 440 mm

### 40x80L

A = 9,9 cm<sup>2</sup>  
 $I_x = 63,4 \text{ cm}^4$   
 $I_y = 17,3 \text{ cm}^4$   
 $W_x = 15,9 \text{ cm}^3$   
 $W_y = 8,7 \text{ cm}^3$   
 m = 2,7 kg/m



19210

Cover cap	Color	ESD	No.
40x80 (1x)	Signal gray		20 <b>3 842 548 748</b>
40x80 (1x)	Black		20 <b>3 842 548 749</b>

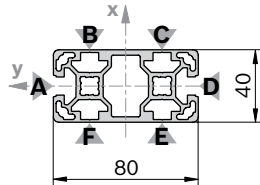
Material: PP

Cover cap with hole	Color	ESD	No.
40x80 (1x)	Signal gray		20 <b>3 842 548 788</b>
40x80 (1x)	Black		20 <b>3 842 548 789</b>

Material: PP

### 40x80L 2N

A = 10,9 cm<sup>2</sup>  
 $I_x = 66,6 \text{ cm}^4$   
 $I_y = 20,8 \text{ cm}^4$   
 $W_x = 16,6 \text{ cm}^3$   
 $W_y = 10,4 \text{ cm}^3$   
 m = 2,9 kg/m

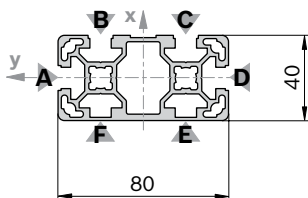


33094

Cover cap: See 40x80

### 40x80L 4N

A = 10,4 cm<sup>2</sup>  
 $I_x = 65,2 \text{ cm}^4$   
 $I_y = 19,1 \text{ cm}^4$   
 $W_x = 16,3 \text{ cm}^3$   
 $W_y = 9,9 \text{ cm}^3$   
 m = 2,8 kg/m



19211

Cover cap: See 40x80

40x80L	L (mm)	No.
1 pcs	50 ... 6000	<b>3 842 993 130 / L</b>
1 pcs M12	60 ... 6000	<b>3 842 993 131 / L</b>
1 pcs M12	110 ... 6000	<b>3 842 993 132 / L</b>
1 pcs D17	80 ... 6000	<b>3 842 993 135 / L</b>
1 pcs D17	80 ... 6000	<b>3 842 993 136 / L</b>
1 pcs D17V	60 ... 6000	<b>3 842 993 137 / L</b>
1 pcs D17V	80 ... 6000	<b>3 842 993 138 / L</b>
12 pcs	6070	<b>3 842 529 341</b>

Profile finishing: M12: in all core holes  
 D17: in slots B/F, C/E  
 D17V: in slots A/D

Quick & Easy (p. 2-8, see fold-out section)

40x80L	3 842 993 728 / ...
Length L (mm)	50 ... 6000
Standard profile finishing (note minimum length, p. 2-25)	M12 / D9.8 / D17 / DB17 / F1 (A,D) <sup>1)</sup>
Customized profile finishing (L <sub>max</sub> = 5400 mm)	DI / DIS / MT / MTS / MI / MIS / DG <sup>2)</sup>

<sup>1)</sup> For the specified slots

<sup>2)</sup> DG<sub>max</sub> = 45°; L<sub>min1</sub> / L<sub>min2</sub> = 439 / 578 mm

40x80L 2N	L (mm)	No.
12 pcs	6070	<b>3 842 555 650</b>

Quick & Easy (p. 2-8; see fold-out section)

40x80L 2N	3 842 993 768 / ...
Length L (mm)	50 ... 6000
Standard profile finishing (note minimum length, p. 2-25)	M12 / D9.8 / D17 / DB17 / F1 (A,D) <sup>1)</sup>
Customized profile finishing (L <sub>max</sub> = 5400 mm)	DI / DIS / MT / MTS / MI / MIS / DG <sup>2)</sup>

<sup>1)</sup> For the specified slots

<sup>2)</sup> DG<sub>max</sub> = 45°; L<sub>min1</sub> / L<sub>min2</sub> = 439 / 578 mm

40x80L 4N	L (mm)	No.
1 pcs	50 ... 6000	<b>3 842 993 424 / L</b>
12 pcs	6070	<b>3 842 536 484</b>

Quick & Easy (p. 2-8, see fold-out section)

40x80L 4N	3 842 993 729 / ...
Length L (mm)	50 ... 6000
Standard profile finishing (note minimum length, p. 2-25)	M12 / D9.8 / D17 / DB17 / F1 (A,D) <sup>1)</sup>
Customized profile finishing (L <sub>max</sub> = 5400 mm)	DI / DIS / MT / MTS / MI / MIS / DG <sup>2)</sup>

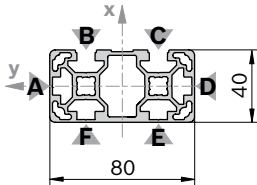
<sup>1)</sup> For the specified slots

<sup>2)</sup> DG<sub>max</sub> = 45°; L<sub>min1</sub> / L<sub>min2</sub> = 439 / 578 mm



**40x80L 2NVS**

A = 10,7 cm<sup>2</sup>  
 I<sub>x</sub> = 67,8 cm<sup>4</sup>  
 I<sub>y</sub> = 19,0 cm<sup>4</sup>  
 W<sub>x</sub> = 17,0 cm<sup>3</sup>  
 W<sub>y</sub> = 9,5 cm<sup>3</sup>  
 m = 2,9 kg/m



33093

Cover cap: See 40x80

<b>40x80L 2NVS</b>		<b>L (mm)</b>	<b>No.</b>
	12 pcs	6070	<b>3 842 555 649</b>

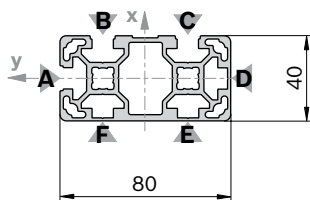
**Quick & Easy** (p. 2-8; see fold-out section)

<b>40x80 L 2NVS</b>		<b>3 842 993 767 / ...</b>
Length L (mm)	50 ... 6000	
Standard profile finishing (note minimum length, p. 2-25)	M12 / D9.8 / D17 / DB17	
Customized profile finishing (L <sub>max</sub> = 5400 mm)	DI / DIS / MT / MTS / MI / MIS / DG <sup>1)</sup>	

<sup>1)</sup> DG<sub>max</sub> = 45°; L<sub>min1</sub> / L<sub>min2</sub> = 439 / 578 mm

**40x80L 3NVS**

A = 10,6 cm<sup>2</sup>  
 I<sub>x</sub> = 67,8 cm<sup>4</sup>  
 I<sub>y</sub> = 19,0 cm<sup>4</sup>  
 W<sub>x</sub> = 17,0 cm<sup>3</sup>  
 W<sub>y</sub> = 9,5 cm<sup>3</sup>  
 m = 2,9 kg/m



19212

Cover cap: See 40x80

<b>40x80L 3NVS</b>		<b>L (mm)</b>	<b>No.</b>
	1 pcs	50 ... 6000	<b>3 842 993 654 / L</b>
	12 pcs	6070	<b>3 842 538 330</b>

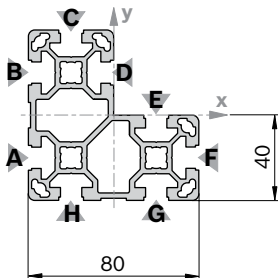
**Quick & Easy** (p. 2-8; see fold-out section)

<b>40x80L 3NVS</b>		<b>3 842 993 753 / ...</b>
Length L (mm)	50 ... 6000	
Standard profile finishing (note minimum length, p. 2-25)	M12 / D9.8 / D17 / DB17	
Customized profile finishing (L <sub>max</sub> = 5400 mm)	DI / DIS / MT / MTS / MI / MIS / DG <sup>1)</sup>	

<sup>1)</sup> DG<sub>max</sub> = 45°; L<sub>min1</sub> / L<sub>min2</sub> = 439 / 578 mm

**40x80x80L**

A = 15,4 cm<sup>2</sup>  
 I<sub>x</sub> = 96,6 cm<sup>4</sup>  
 I<sub>y</sub> = 96,6 cm<sup>4</sup>  
 W<sub>x</sub> = 24,2 cm<sup>3</sup>  
 W<sub>y</sub> = 24,2 cm<sup>3</sup>  
 m = 4,2 kg/m



19213

<b>40x80x80L</b>		<b>L (mm)</b>	<b>No.</b>
	1 pcs	50 ... 6000	<b>3 842 993 193 / L</b>
	8 pcs	6070	<b>3 842 537 827</b>

**Quick & Easy** (p. 2-8; see fold-out section)

<b>40x80x80L</b>		<b>3 842 993 730 / ...</b>
Length L (mm)	50 ... 6000	
Standard profile finishing (note minimum length, p. 2-25)	M12 / D9.8 / D17 / DB17	
Customized profile finishing (L <sub>max</sub> = 5400 mm)	DI / DIS / MT / MTS / MI / MIS / DG <sup>1)</sup>	

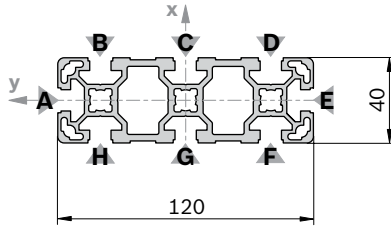
<sup>1)</sup> DG<sub>max</sub> = 45°; L<sub>min1</sub> / L<sub>min2</sub> = 439 / 578 mm

<b>Cover cap</b>	<b>Color</b>	<b>ESD</b>		<b>No.</b>
<b>40x80x80 (1x)</b>	Signal gray		20	<b>3 842 548 790</b>
<b>40x80x80 (1x)</b>	Black		20	<b>3 842 548 791</b>

Material: PP

**40x120L**

A = 15,5 cm<sup>2</sup>  
 $I_x = 203,2 \text{ cm}^4$   
 $I_y = 27,8 \text{ cm}^4$   
 $W_x = 33,9 \text{ cm}^3$   
 $W_y = 13,9 \text{ cm}^3$   
 m = 4,2 kg/m



19214

Cover cap	Color	ESD	No.
40x40 (1x)	Signal gray		100 <b>3 842 548 746</b>
40x80 (1x)	Signal gray		20 <b>3 842 548 748</b>
40x40 (1x)	Black		20 <b>3 842 548 747</b>
40x80 (1x)	Black		20 <b>3 842 548 749</b>

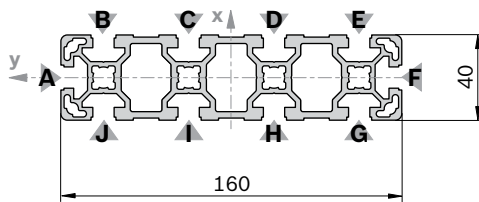
Material: PP

**Note:**

For the 40x120L profile you require the following combination of cover caps: 1x 40x40 and 1x 40x80

**40x160L**

A = 20,5 cm<sup>2</sup>  
 $I_x = 466,7 \text{ cm}^4$   
 $I_y = 37,2 \text{ cm}^4$   
 $W_x = 58,3 \text{ cm}^3$   
 $W_y = 18,6 \text{ cm}^3$   
 m = 5,5 kg/m



19215

Cover cap	Color	ESD	No.
40x80 (2x)	Signal gray		20 <b>3 842 548 748</b>
40x80 (2x)	Black		20 <b>3 842 548 749</b>

Material: PP

40x120L	L (mm)	No.
1 pcs	50 ... 6000	<b>3 842 993 139 / L</b>
1 pcs M12	60 ... 6000	<b>3 842 993 140 / L</b>
1 pcs M12  M12	110 ... 6000	<b>3 842 993 141 / L</b>
1 pcs D17  D17	80 ... 6000	<b>3 842 993 142 / L</b>
1 pcs D17V  D17V	90 ... 6000	<b>3 842 993 225 / L</b>
8 pcs	6070	<b>3 842 537 824</b>

Profile finishing: M12: in all core holes  
 D17: in slots B/H, C/G, D/F  
 D17V: in slots A/E

**Quick & Easy** (p. 2-8, see fold-out section)

40x120L	3 842 993 716 / ...
Length L (mm)	50 ... 6000
Standard profile finishing (note minimum length, p. 2-25)	M12 / D9.8 (B,C,D,F, G,H) <sup>1)</sup> / D17 (B,C,D,F, G,H) <sup>1)</sup> / DB17 / F1 (A,E) <sup>1)</sup>
Customized profile finishing (L <sub>max</sub> = 5400 mm)	DI / DIS / MT / MTS / MI / MIS / DG <sup>2)</sup>

<sup>1)</sup> For the specified slots  
<sup>2)</sup> DG<sub>max</sub> = 45°; L<sub>min1</sub> / L<sub>min2</sub> = 439 / 578 mm

40x160L	L (mm)	No.
1 pcs	50 ... 6000	<b>3 842 993 143 / L</b>
1 pcs M12	60 ... 6000	<b>3 842 993 144 / L</b>
1 pcs M12  M12	110 ... 6000	<b>3 842 993 145 / L</b>
1 pcs D17  D17	80 ... 6000	<b>3 842 993 146 / L</b>
6 pcs	6070	<b>3 842 529 345</b>

Profile finishing: M12: in all core holes  
 D17: in slots B/J, C/I, D/H, E/G

**Quick & Easy** (p. 2-8, see fold-out section)

40x160L	3 842 993 717 / ...
Length L (mm)	80 ... 6000
Standard profile finishing (note minimum length, p. 2-25)	M12 / D9.8 (B,C,D,E,G,H, I,J) <sup>1)</sup> / D17 (B,C,D,E,G,H, I,J) <sup>1)</sup> / DB17 / F1 (A,F) <sup>1)</sup>
Customized profile finishing (L <sub>max</sub> = 5400 mm)	DI / DIS / MT / MTS / MI / MIS / DG <sup>2)</sup>

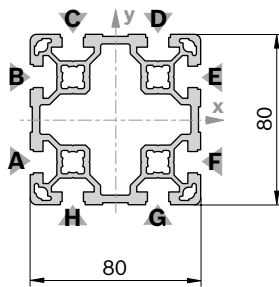
<sup>1)</sup> For the specified slots  
<sup>2)</sup> DG<sub>max</sub> = 45°; L<sub>min1</sub> / L<sub>min2</sub> = 439 / 578 mm

**80x80L**

A = 18,2 cm<sup>2</sup>  
 I<sub>x</sub> = 132,1 cm<sup>4</sup>  
 I<sub>y</sub> = 132,1 cm<sup>4</sup>  
 W<sub>x</sub> = 33,0 cm<sup>3</sup>  
 W<sub>y</sub> = 33,0 cm<sup>3</sup>  
 m = 4,9 kg/m



19216



Cover cap	Color	ESD		No.
80x80 (1x)	Signal gray			20 <b>3 842 548 750</b>
80x80 (1x)	Black			20 <b>3 842 548 751</b>

Material: PP

80x80L	L (mm)	No.
1 pcs	50 ... 6000	<b>3 842 993 133 / L</b>
1 pcs M12	60 ... 6000	<b>3 842 993 134 / L</b>
1 pcs M12	110 ... 6000	<b>3 842 993 147 / L</b>
1 pcs M12	90 ... 6000	<b>3 842 993 148 / L</b>
1 pcs D17	60 ... 6000	<b>3 842 993 149 / L</b>
1 pcs D17	80 ... 6000	<b>3 842 993 150 / L</b>
1 pcs D17	80 ... 6000	<b>3 842 993 151 / L</b>
6 pcs	6070	<b>3 842 529 347</b>

Profile finishing: M12: in all core holes  
 D17: in slots A/F, B/E  
 D17V: in slots C/H, D/G

**Quick & Easy** (p. 2-8, see fold-out section)

80x80L	3 842 993 674 / ...
Length L (mm)	50 ... 6000
Standard profile finishing (note minimum length, p. 2-25)	M12 / D9,8 / D17 / DB17 / F1
Customized profile finishing (L <sub>max</sub> = 5400 mm)	DI / DIS / MT / MTS / MI / MIS / DG <sup>1)</sup>

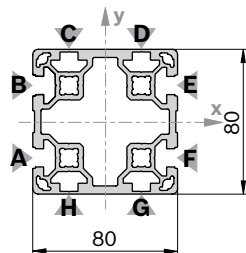
<sup>1)</sup> DG<sub>max</sub> = 45°; L<sub>min1</sub> / L<sub>min2</sub> = 439 / 578 mm

**80x80L 4N**

A = 19,3 cm<sup>2</sup>  
 I<sub>x</sub> = 142,5 cm<sup>4</sup>  
 I<sub>y</sub> = 142,5 cm<sup>4</sup>  
 W<sub>x</sub> = 35,6 cm<sup>3</sup>  
 W<sub>y</sub> = 35,6 cm<sup>3</sup>  
 m = 5,2 kg/m



33095



Cover cap	Color	ESD		No.
80x80 (1x)	Signal gray			20 <b>3 842 548 750</b>
80x80 (1x)	Black			20 <b>3 842 548 751</b>

Material: PP

80x80L 4N	L (mm)	No.
6 pcs	6070	<b>3 842 555 651</b>

**Quick & Easy** (p. 2-8; see fold-out section)

80x80L 4N	3 842 993 769 / ...
Length L (mm)	50 ... 6000
Standard profile finishing (note minimum length, p. 2-25)	M12 / D9,8 / D17 / DB17 F1 (A, B, E, F) <sup>1)</sup>
Customized profile finishing (L <sub>max</sub> = 5400 mm)	DI / DIS / MT / MTS / MI / MIS / DG <sup>2)</sup>

<sup>1)</sup> For the specified slots

<sup>2)</sup> DG<sub>max</sub> = 45°; L<sub>min1</sub> / L<sub>min2</sub> = 439 / 578 mm

**80x80L 4NVS**

$A = 19,3 \text{ cm}^2$   
 $I_x = 142,5 \text{ cm}^4$   
 $I_y = 142,5 \text{ cm}^4$   
 $W_x = 35,6 \text{ cm}^3$   
 $W_y = 35,6 \text{ cm}^3$   
 $m = 5,2 \text{ kg/m}$

10 10  
140  
19416

Cover cap: See 80x80

**80x80L 6N**

$A = 18,8 \text{ cm}^2$   
 $I_x = 134,1 \text{ cm}^4$   
 $I_y = 140,9 \text{ cm}^4$   
 $W_x = 33,5 \text{ cm}^3$   
 $W_y = 36,2 \text{ cm}^3$   
 $m = 5,1 \text{ kg/m}$

10 10  
140  
19417

Cover cap: See 80x80

**40x120x120L**

$A = 24,6 \text{ cm}^2$   
 $I_x = 318,0 \text{ cm}^4$   
 $I_y = 318,0 \text{ cm}^4$   
 $W_x = 42,2 \text{ cm}^3$   
 $W_y = 42,2 \text{ cm}^3$   
 $m = 6,7 \text{ kg/m}$

10 10  
140  
19418

Cover cap	Color	ESD	No.
40x40 (5x)	Signal gray	100	3 842 548 746
40x80 (2x)	Signal gray	20	3 842 548 748
40x40 (1x)	Signal gray	100	3 842 548 746
40x40 (5x)	Black	⚠	20 3 842 548 747
40x80 (2x)	Black	⚠	20 3 842 548 749
40x40 (1x)	Black	⚠	20 3 842 548 747

Material: PP

**Note:**

For the 40x120x120L profile you require the following combination of cover caps: 5x 40x40 or 2x 40x80 and 1x 40x40

80x80L 4NVS	L (mm)	No.
1 pcs	50 ... 6000	3 842 993 658 / L
6 pcs	6070	3 842 538 334

Quick & Easy (p. 2-8, see fold-out section)

80x80L 4NVS	3 842 993 758 / ...
Length L (mm)	50 ... 6000
Standard profile finishing (note minimum length, p. 2-25)	M12 / D9.8 / D17 / DB17
Customized profile finishing (L <sub>max</sub> = 5400 mm)	DI / DIS / MT / MTS / MI / MIS / DG <sup>1)</sup>

<sup>1)</sup> DG<sub>max</sub> = 45°; L<sub>min1</sub> / L<sub>min2</sub> = 439 / 578 mm

80x80L 6N	L (mm)	No.
1 pcs	50 ... 6000	3 842 993 423 / L
6 pcs	6070	3 842 536 481

Quick & Easy (p. 2-8, see fold-out section)

80x80L 6N	3 842 993 675 / ...
Length L (mm)	50 ... 6000
Standard profile finishing (note minimum length, p. 2-25)	M12 / D9.8 / D17 / DB17 / F1 (A,C,F) <sup>1)</sup>
Customized profile finishing (L <sub>max</sub> = 5400 mm)	DI / DIS / MT / MTS / MI / MIS / DG <sup>2)</sup>

<sup>1)</sup> For the specified slots

<sup>2)</sup> DG<sub>max</sub> = 45°; L<sub>min1</sub> / L<sub>min2</sub> = 439 / 578 mm

40x120x120L	L (mm)	No.
1 pcs	50 ... 6000	3 842 993 653 / L
4 pcs	6070	3 842 538 287

Quick & Easy (p. 2-8, see fold-out section)

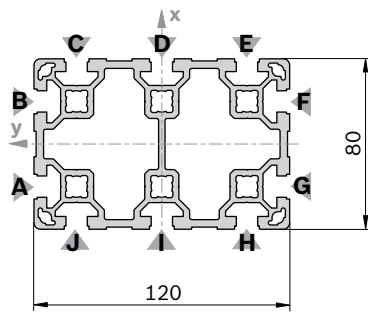
40x120x120L	3 842 993 757 / ...
Length L (mm)	50 ... 6000
Standard profile finishing (note minimum length, p. 2-25)	M12 / D9.8 (B,C,J,K) <sup>1)</sup> / D17 / DB17 (A,B,C,D,I, J,K,L) <sup>1)</sup> / F1 (D,I) <sup>1)</sup>
Customized profile finishing (L <sub>max</sub> = 5400 mm)	DI / DIS / MT / MTS / MI / MIS / DG <sup>2)</sup>

<sup>1)</sup> For the specified slots

<sup>2)</sup> DG<sub>max</sub> = 45°; L<sub>min1</sub> / L<sub>min2</sub> = 420 / 540 mm

**80x120L**

A = 25,6 cm<sup>2</sup>  
 I<sub>x</sub> = 389,2 cm<sup>4</sup>  
 I<sub>y</sub> = 192,8 cm<sup>4</sup>  
 W<sub>x</sub> = 64,9 cm<sup>3</sup>  
 W<sub>y</sub> = 48,2 cm<sup>3</sup>  
 m = 6,9 kg/m



Cover cap	Color	ESD	No.
80x120 (1x)	Signal gray	20	3 842 548 792
80x120 (1x)	Black	20	3 842 548 793

Material: PP

80x120L	L (mm)	No.
1 pcs	50 ... 6000	3 842 993 201 / L
1 pcs M12	60 ... 6000	3 842 993 202 / L
1 pcs M12 M12	110 ... 6000	3 842 993 203 / L
1 pcs D17 D17	80 ... 6000	3 842 993 204 / L
1 pcs D17V D17V	90 ... 6000	3 842 993 229 / L
4 pcs	6070	3 842 537 828

Profile finishing: M12: in all core holes  
 D17: in slots C/J, D/I, E/H  
 D17V: in slots A/G, B/F

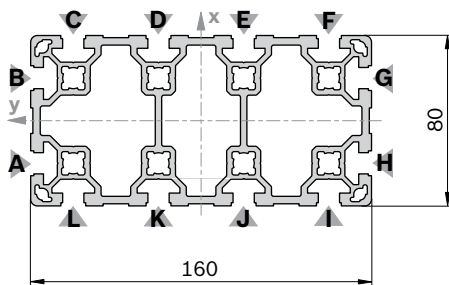
**Quick & Easy** (p. 2-8, see fold-out section)

80x120L	3 842 993 672 / ...
Length L (mm)	50 ... 6000
Standard profile finishing (note minimum length, p. 2-25)	M12 / D9.8 (C,D,E,H,I, J) <sup>1)</sup> / D17 (C,D,E,H,I,J) <sup>1)</sup> / DB17 / F1 (A,F) <sup>1)</sup>
Customized profile finishing (L <sub>max</sub> = 5400 mm)	DI / DIS / MT / MTS / MI / MIS / DG <sup>2)</sup>

<sup>1)</sup> For the specified slots  
<sup>2)</sup> DG<sub>max</sub> = 45°; L<sub>min1</sub> / L<sub>min2</sub> = 439 / 578 mm

**80x160L**

A = 32,9 cm<sup>2</sup>  
 I<sub>x</sub> = 850,7 cm<sup>4</sup>  
 I<sub>y</sub> = 253,4 cm<sup>4</sup>  
 W<sub>x</sub> = 106,3 cm<sup>3</sup>  
 W<sub>y</sub> = 63,4 cm<sup>3</sup>  
 m = 8,9 kg/m



Cover cap	Color	ESD	No.
80x80 (2x)	Signal gray	20	3 842 548 750
80x80 (2x)	Black	20	3 842 548 751

Material: PP

80x160L	L (mm)	No.
1 pcs	50 ... 6000	3 842 993 127 / L
1 pcs M12	60 ... 6000	3 842 993 128 / L
1 pcs M12 M12	110 ... 6000	3 842 993 152 / L
1 pcs M12 D17	90 ... 6000	3 842 993 153 / L
1 pcs D17	60 ... 6000	3 842 993 154 / L
1 pcs D17 D17	80 ... 6000	3 842 993 155 / L
1 pcs D17V D17V	90 ... 6000	3 842 993 226 / L
3 pcs	6070	3 842 529 349

Profile finishing: M12: in all core holes  
 D17: in slots C/L, D/K, E/J, F/I  
 D17V: in slots A/H, B/G

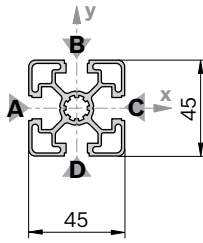
**Quick & Easy** (p. 2-8, see fold-out section)

80x160L	3 842 993 673 / ...
Length L (mm)	80 ... 6000
Standard profile finishing (note minimum length, p. 2-25)	M12 / D9.8 (C,D,E,F,I, J,K,L) <sup>1)</sup> / D17 (C,D,E,F,I,J, K,L) <sup>1)</sup> / DB17 / F1 (A,G) <sup>1)</sup>
Customized profile finishing (L <sub>max</sub> = 5400 mm)	DI / DIS / MT / MTS / MI / MIS / DG <sup>2)</sup>

<sup>1)</sup> For the specified slots  
<sup>2)</sup> DG<sub>max</sub> = 45°; L<sub>min1</sub> / L<sub>min2</sub> = 460 / 620 mm

**45x45L**

A = 6,0 cm<sup>2</sup>  
 $I_x = 11,7 \text{ cm}^4$   
 $I_y = 11,7 \text{ cm}^4$   
 $W_x = 5,2 \text{ cm}^3$   
 $W_y = 5,2 \text{ cm}^3$   
 m = 1,6 kg/m



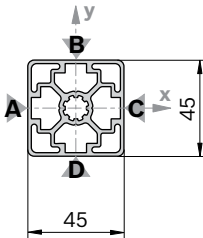
19421

Cover cap	Color	ESD	No.
45x45 (1x)	Signal gray		100 <b>3 842 548 752</b>
45x45 (1x)	Black		20 <b>3 842 548 753</b>
Material:	PP		

Cover cap with hole	Color	ESD	No.
45x45 (1x)	Signal gray		20 <b>3 842 548 796</b>
45x45 (1x)	Black		20 <b>3 842 548 797</b>
Material:	PP		

**45x45L ON**

A = 6,7 cm<sup>2</sup>  
 $I_x = 13,5 \text{ cm}^4$   
 $I_y = 13,5 \text{ cm}^4$   
 $W_x = 6,0 \text{ cm}^3$   
 $W_y = 6,0 \text{ cm}^3$   
 m = 1,8 kg/m



19422

Cover cap: see 45x45

45x45L	L (mm)	No.
1 pcs	50 ... 6000	<b>3 842 992 425 / L</b>
1 pcs M12	60 ... 6000	<b>3 842 992 426 / L</b>
1 pcs M12  M12	110 ... 6000	<b>3 842 992 427 / L</b>
1 pcs M12  D17	90 ... 6000	<b>3 842 992 960 / L</b>
1 pcs D9,8  D9,8	80 ... 6000	<b>3 842 992 967 / L</b>
1 pcs D17	60 ... 6000	<b>3 842 992 953 / L</b>
1 pcs D17  D17	80 ... 6000	<b>3 842 992 954 / L</b>
1 pcs D17  D17V	80 ... 6000	<b>3 842 992 956 / L</b>
20 pcs	6070	<b>3 842 553 611</b>

**Quick & Easy** (p. 2-8, see fold-out section)

45x45L	3 842 993 737 / ...
Length L (mm)	50 ... 6000
Standard profile finishing (note minimum length, p. 2-25)	M12 / D9,8 / D17 / DB17 / F1 (A) <sup>1)</sup>
Customized profile finishing (L <sub>max</sub> = 5400 mm)	DI / DIS / MT / MTS / MI / MIS / DG <sup>2)</sup>

<sup>1)</sup> For the specified slots

<sup>2)</sup> DG<sub>max</sub> = 45°; L<sub>min1</sub> / L<sub>min2</sub> = 378 / 456 mm

45x45L ON	L (mm)	No.
20 pcs	6070	<b>3 842 540 955</b>

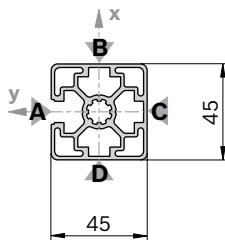
**Quick & Easy** (p. 2-8, see fold-out section)

45x45L ON	3 842 993 761 / ...
Length L (mm)	50 ... 6000
Standard profile finishing (note minimum length, p. 2-25)	M12 / D9.8 / D17 / DB17
Customized profile finishing (L <sub>max</sub> = 5400 mm)	DI / DIS / MT / MTS / MI / MIS / DG <sup>1)</sup>

<sup>1)</sup> DG<sub>max</sub> = 45°; L<sub>min1</sub> / L<sub>min2</sub> = 378 / 456 mm

**45x45L 1N**

A = 6,5 cm<sup>2</sup>  
 I<sub>x</sub> = 12,6 cm<sup>4</sup>  
 I<sub>y</sub> = 13,5 cm<sup>4</sup>  
 W<sub>x</sub> = 5,5 cm<sup>3</sup>  
 W<sub>y</sub> = 6,0 cm<sup>3</sup>  
 m = 1,8 kg/m



19423

Cover cap: see 45x45

<b>45x45L 1N</b>		<b>L (mm)</b>	<b>No.</b>
1 pcs		50 ... 5600	<b>3 842 992 401 / L</b>
20 pcs		5600	<b>3 842 506 956</b>

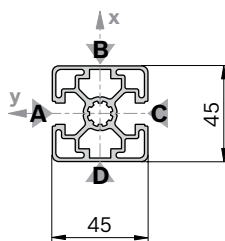
**Quick & Easy** (p. 2-8, see fold-out section)

<b>45x45L 1N</b>		<b>3 842 993 738 / ...</b>
Length L (mm)		50 ... 5600
Standard profile finishing (note minimum length, p. 2-25)		M12 / D9.8 / D17 / DB17
Customized profile finishing (L <sub>max</sub> = 4900 mm)		DI / DIS / MT / MTS / MI / MIS / DG <sup>1)</sup>

<sup>1)</sup> DG<sub>max</sub> = 45°; L<sub>min1</sub> / L<sub>min2</sub> = 378 / 456 mm

**45x45L 2N**

A = 6,4 cm<sup>2</sup>  
 I<sub>x</sub> = 11,6 cm<sup>4</sup>  
 I<sub>y</sub> = 13,5 cm<sup>4</sup>  
 W<sub>x</sub> = 5,2 cm<sup>3</sup>  
 W<sub>y</sub> = 6,0 cm<sup>3</sup>  
 m = 1,7 kg/m



19424

Cover cap: see 45x45

<b>45x45L 2N</b>		<b>L (mm)</b>	<b>No.</b>
1 pcs		50 ... 5600	<b>3 842 992 403 / L</b>
20 pcs		5600	<b>3 842 506 958</b>

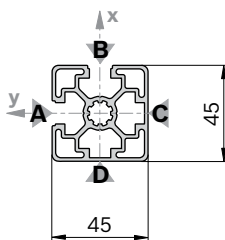
**Quick & Easy** (p. 2-8, see fold-out section)

<b>45x45L 2N</b>		<b>3 842 993 739 / ...</b>
Length L (mm)		50 ... 5600
Standard profile finishing (note minimum length, p. 2-25)		M12 / D9.8 / D17 / DB17
Customized profile finishing (L <sub>max</sub> = 4900 mm)		DI / DIS / MT / MTS / MI / MIS / DG <sup>1)</sup>

<sup>1)</sup> DG<sub>max</sub> = 45°; L<sub>min1</sub> / L<sub>min2</sub> = 378 / 456 mm

**45x45L 2NVS**

A = 6,4 cm<sup>2</sup>  
 I<sub>x</sub> = 12,6 cm<sup>4</sup>  
 I<sub>y</sub> = 12,6 cm<sup>4</sup>  
 W<sub>x</sub> = 5,6 cm<sup>3</sup>  
 W<sub>y</sub> = 5,6 cm<sup>3</sup>  
 m = 1,7 kg/m



19425

Cover cap: see 45x45

<b>45x45L 2NVS</b>		<b>L (mm)</b>	<b>No.</b>
1 pcs		50 ... 5600	<b>3 842 992 402 / L</b>
20 pcs		5600	<b>3 842 506 957</b>

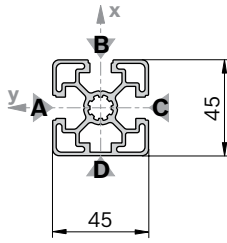
**Quick & Easy** (p. 2-8, see fold-out section)

<b>45x45L 2NVS</b>		<b>3 842 993 740 / ...</b>
Length L (mm)		50 ... 5600
Standard profile finishing (note minimum length, p. 2-25)		M12 / D9.8 / D17 / DB17
Customized profile finishing (L <sub>max</sub> = 4900 mm)		DI / DIS / MT / MTS / MI / MIS / DG <sup>1)</sup>

<sup>1)</sup> DG<sub>max</sub> = 45°; L<sub>min1</sub> / L<sub>min2</sub> = 378 / 456 mm

**45x45L 3N**

A = 6,2 cm<sup>2</sup>  
 $I_x = 12,6 \text{ cm}^4$   
 $I_y = 11,7 \text{ cm}^4$   
 $W_x = 5,4 \text{ cm}^3$   
 $W_y = 5,2 \text{ cm}^3$   
 m = 1,7 kg/m



19426

Cover cap: see 45x45

**45x45L 3N**

**L (mm) No.**

1 pcs		50 ... 5600	<b>3 842 992 404 / L</b>
20 pcs		5600	<b>3 842 506 959</b>

**Quick & Easy** (p. 2-8, see fold-out section)

**45x45L 3N**

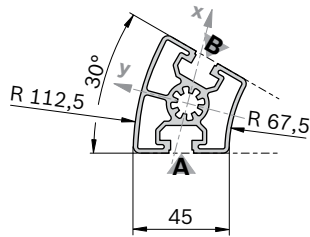
**3 842 993 741 / ...**

Length L (mm)	50 ... 5600
Standard profile finishing (note minimum length, p. 2-25)	M12 / D9.8 / D17 / DB17
Customized profile finishing ( $L_{\max} = 4900 \text{ mm}$ )	DI / DIS / MT / MTS / MI / MIS / DG <sup>1)</sup>

<sup>1)</sup> DG<sub>max</sub> = 45°;  $L_{\min 1} / L_{\min 2} = 378 / 456 \text{ mm}$

**45x30°**

A = 6,9 cm<sup>2</sup>  
 $I_x = 12,7 \text{ cm}^4$   
 $I_y = 15,2 \text{ cm}^4$   
 $W_x = 5,0 \text{ cm}^3$   
 $W_y = 5,3 \text{ cm}^3$   
 m = 1,9 kg/m



19427

**45x30°**

**L (mm) No.**

1 pcs		50 ... 5600	<b>3 842 993 013 / L</b>
20 pcs		5600	<b>3 842 524 040</b>

**Quick & Easy** (p. 2-8, see fold-out section)

**45x30°**

**3 842 993 733 / ...**

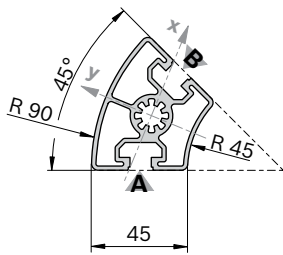
Length L (mm)	50 ... 5600
Standard profile finishing (note minimum length, p. 2-25)	M12
Customized profile finishing	—

Cover cap	Color	ESD		No.
45x30° (1x)	Signal gray		20	<b>3 842 551 020</b>
45x30° (1x)	Black		20	<b>3 842 551 021</b>

Material: PP

**45x45°**

A = 7,6 cm<sup>2</sup>  
 $I_x = 13,4 \text{ cm}^4$   
 $I_y = 21,4 \text{ cm}^4$   
 $W_x = 5,2 \text{ cm}^3$   
 $W_y = 6,4 \text{ cm}^3$   
 m = 2,0 kg/m



19428

**45x45°**

**L (mm) No.**

1 pcs		50 ... 5600	<b>3 842 993 014 / L</b>
20 pcs		5600	<b>3 842 524 043</b>

**Quick & Easy** (p. 2-8, see fold-out section)

**45x45°**

**3 842 993 735 / ...**

Length L (mm)	50 ... 5600
Standard profile finishing (note minimum length, p. 2-25)	M12
Customized profile finishing	—

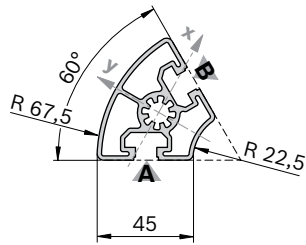
Cover cap	Color	ESD		No.
45x45° (1x)	Signal gray		20	<b>3 842 551 022</b>
45x45° (1x)	Black		20	<b>3 842 551 023</b>

Material: PP



**45x60°**

A = 6,8 cm<sup>2</sup>  
 I<sub>x</sub> = 11,4 cm<sup>4</sup>  
 I<sub>y</sub> = 16,9 cm<sup>4</sup>  
 W<sub>x</sub> = 4,4 cm<sup>3</sup>  
 W<sub>y</sub> = 5,2 cm<sup>3</sup>  
 m = 1,8 kg/m



19429

Cover cap	Color	ESD	No.
45x60° (1x)	Signal gray		20 <b>3 842 551 024</b>
45x60° (1x)	Black		20 <b>3 842 551 025</b>

Material: PP

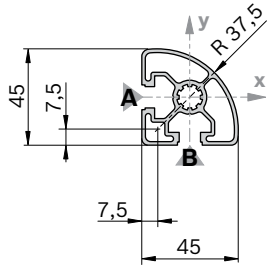
45x60°	L (mm)	No.
1 pcs	50 ... 5600	<b>3 842 993 015 / L</b>
20 pcs	5600	<b>3 842 524 046</b>

**Quick & Easy** (p. 2-8, see fold-out section)

45x60°	No.
Length L (mm)	50 ... 5600
Standard profile finishing (note minimum length, p. 2-25)	M12
Customized profile finishing	–

**45x45L R**

A = 4,9 cm<sup>2</sup>  
 I<sub>x</sub> = 8,6 cm<sup>4</sup>  
 I<sub>y</sub> = 8,6 cm<sup>4</sup>  
 W<sub>x</sub> = 5,0 cm<sup>3</sup>  
 W<sub>y</sub> = 5,0 cm<sup>3</sup>  
 m = 1,3 kg/m



19430

Cover cap	Color	ESD	No.
45x45 R (1x)	Signal gray		20 <b>3 842 548 800</b>
45x45 R (1x)	Black		20 <b>3 842 548 801</b>

Material: PP

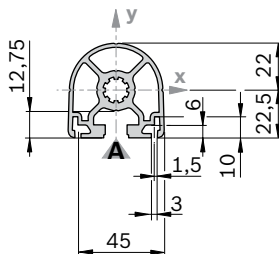
45x45L R	L (mm)	No.
1 pcs	50 ... 5600	<b>3 842 992 897 / L</b>
20 pcs	5600	<b>3 842 517 200</b>

**Quick & Easy** (p. 2-8, see fold-out section)

45x45L R	No.
Length L (mm)	50 ... 5600
Standard profile finishing (note minimum length, p. 2-25)	M12 / DB17
Customized profile finishing	–

**45x45 HR**

A = 6,6 cm<sup>2</sup>  
 I<sub>x</sub> = 11,0 cm<sup>4</sup>  
 I<sub>y</sub> = 10,7 cm<sup>4</sup>  
 W<sub>x</sub> = 4,4 cm<sup>3</sup>  
 W<sub>y</sub> = 4,8 cm<sup>3</sup>  
 m = 1,8 kg/m



19431

Cover cap	Color	ESD	No.
45x45 HR (1x)	Signal gray		20 <b>3 842 548 798</b>
45x45 HR (1x)	Black		20 <b>3 842 548 799</b>

Material: PP

45x45 HR	L (mm)	No.
1 pcs	50 ... 5600	<b>3 842 992 945 / L</b>
1 pcs M12	60 ... 5600	<b>3 842 993 001 / L</b>
1 pcs M12	110 ... 5600	<b>3 842 992 999 / L</b>
20 pcs	5600	<b>3 842 525 505</b>

**Quick & Easy** (p. 2-8, see fold-out section)

45x45 HR	No.
Length L (mm)	50 ... 5600
Standard profile finishing (note minimum length, p. 2-25)	M12 / DB17
Customized profile finishing (L <sub>max</sub> = 4900 mm)	DI / DIS / MT / MTS / MI / MIS / DG <sup>1)</sup>

<sup>1)</sup> DG<sub>max</sub> = 45°; L<sub>min1</sub> / L<sub>min2</sub> = 378 / 456 mm

**45x45**

$A = 7,5 \text{ cm}^2$   
 $I_x = 13,8 \text{ cm}^4$   
 $I_y = 13,8 \text{ cm}^4$   
 $W_x = 6,1 \text{ cm}^3$   
 $W_y = 6,1 \text{ cm}^3$   
 $m = 2,0 \text{ kg/m}$

10 10  
45

19432

Cover cap	Color	ESD	No.
45x45 (1x)	Signal gray		100 <b>3 842 548 752</b>
45x45 (1x)	Black		20 <b>3 842 548 753</b>
Material:	PP		

Cover cap with hole	Color	ESD	No.
45x45 (1x)	Signal gray		20 <b>3 842 548 796</b>
45x45 (1x)	Black		20 <b>3 842 548 797</b>
Material:	PP		

45x45	L (mm)	No.
1 pcs	50 ... 6000	<b>3 842 990 520 / L</b>
1 pcs M12	60 ... 6000	<b>3 842 990 517 / L</b>
1 pcs M12  M12	110 ... 6000	<b>3 842 990 518 / L</b>
1 pcs M12  M16	180 ... 6000	<b>3 842 990 519 / L</b>
1 pcs M12  D17	90 ... 6000	<b>3 842 990 640 / L</b>
1 pcs M16	120 ... 6000	<b>3 842 990 521 / L</b>
1 pcs M16  D17	170 ... 6000	<b>3 842 990 642 / L</b>
1 pcs D9,8  D9,8	70 ... 6000	<b>3 842 992 969 / L</b>
1 pcs D17	60 ... 6000	<b>3 842 990 648 / L</b>
1 pcs D17  D17	80 ... 6000	<b>3 842 990 644 / L</b>
1 pcs D17  D17V	80 ... 6000	<b>3 842 990 646 / L</b>
20 pcs	6070	<b>3 842 553 614</b>

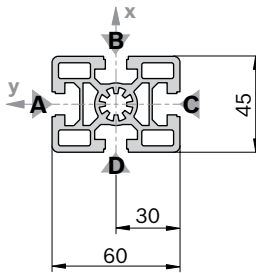
Quick & Easy (p. 2-8, see fold-out section)

45x45	3 842 993 734 / ...
Length L (mm)	50 ... 6000
Standard profile finishing (note minimum length, p. 2-25)	M12 / M16 / D9.8 / D17 / DB17
Customized profile finishing ( $L_{max} = 5400 \text{ mm}$ )	DI / DIS / MT / MTS / MI / MIS / DG <sup>1)</sup>

<sup>1)</sup>  $DG_{max} = 45^\circ$ ;  $L_{min1} / L_{min2} = 378 / 456 \text{ mm}$

**45x60**

$A = 11,0 \text{ cm}^2$   
 $I_x = 37,2 \text{ cm}^4$   
 $I_y = 22,7 \text{ cm}^4$   
 $W_x = 12,4 \text{ cm}^3$   
 $W_y = 10,1 \text{ cm}^3$   
 $m = 3,0 \text{ kg/m}$



19433

Cover cap	Color	ESD	No.
45x60 (1x)	Signal gray		20 <b>3 842 548 754</b>
45x60 (1x)	Black		20 <b>3 842 548 755</b>

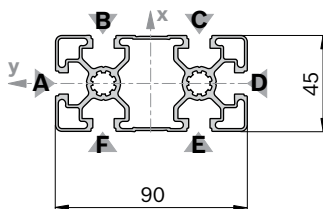
Material: PP

Cover cap with hole	Color	ESD	No.
45x60 (1x)	Signal gray		20 <b>3 842 548 802</b>
45x60 (1x)	Black		20 <b>3 842 548 803</b>

Material: PP

**45x90SL**

$A = 9,0 \text{ cm}^2$   
 $I_x = 73,4 \text{ cm}^4$   
 $I_y = 18,1 \text{ cm}^4$   
 $W_x = 16,3 \text{ cm}^3$   
 $W_y = 8,0 \text{ cm}^3$   
 $m = 2,4 \text{ kg/m}$



19434

Cover cap	Color	ESD	No.
45x90 (1x)	Signal gray		20 <b>3 842 548 756</b>
45x90 (1x)	Black		20 <b>3 842 548 757</b>

Material: PP

Cover cap with hole	Color	ESD	No.
45x90 (1x)	Signal gray		20 <b>3 842 548 804</b>
45x90 (1x)	Black		20 <b>3 842 548 805</b>

Material: PP

45x60	L (mm)	No.
1 pcs	50 ... 5600	<b>3 842 990 570 / L</b>
1 pcs M12	60 ... 5600	<b>3 842 990 571 / L</b>
1 pcs M12	110 ... 5600	<b>3 842 990 572 / L</b>
1 pcs M12	180 ... 5600	<b>3 842 990 575 / L</b>
1 pcs M16	120 ... 5600	<b>3 842 990 573 / L</b>
1 pcs D9,8	50 ... 5600	<b>3 842 992 376 / L</b>
1 pcs D17	60 ... 5600	<b>3 842 990 688 / L</b>
1 pcs D17	80 ... 5600	<b>3 842 990 672 / L</b>
1 pcs D17	80 ... 5600	<b>3 842 990 674 / L</b>
1 pcs D9,8V	50 ... 5600	<b>3 842 992 375 / L</b>
1 pcs D17V	60 ... 5600	<b>3 842 990 690 / L</b>
1 pcs D17V	90 ... 5600	<b>3 842 990 670 / L</b>
1 pcs LF	80 ... 5600	<b>3 842 993 085 / L</b>
1 pcs F1	80 ... 5600	<b>3 842 990 584 / L</b>
20 pcs	5600	<b>3 842 509 184</b>

Profile finishing D9.8, D17: in slots B/D  
 D9.8V, D17V: in slots A/C  
 LF: in slots A/C  
 F1: in slot A

**Quick & Easy** (p. 2-8, see fold-out section)

45x60	3 842 993 743 / ...
Length L (mm)	50 ... 5600
Standard profile finishing (note minimum length, p. 2-25)	M12 / M16 / D9.8 / D17 / DB17 / F1 (A,C) <sup>1)</sup>
Customized profile finishing (L <sub>max</sub> = 4900 mm)	DI / DIS / MT / MTS / MI / MIS / DG <sup>2)</sup>

<sup>1)</sup> For the specified slots

<sup>2)</sup> DG<sub>max</sub> = 45°; L<sub>min1</sub> / L<sub>min2</sub> = 404 / 508 mm

45x90SL	L (mm)	No.
1 pcs	50 ... 6000	<b>3 842 993 450 / L</b>
12 pcs	6070	<b>3 842 537 102</b>

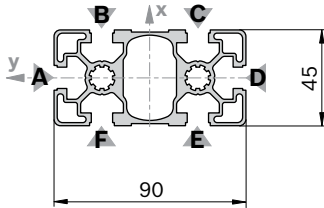
**Quick & Easy** (p. 2-8, see fold-out section)

45x90SL	3 842 993 759 / ...
Length L (mm)	50 ... 6000
Standard profile finishing (note minimum length, p. 2-25)	M12 / D9.8 / D17 / DB17
Customized profile finishing (L <sub>max</sub> = 5400 mm)	DI / DIS / DG <sup>1)</sup>

<sup>1)</sup> DG<sub>max</sub> = 45°; L<sub>min1</sub> / L<sub>min2</sub> = 456 / 612 mm

**45x90L**

A = 11,3 cm<sup>2</sup>  
 $I_x = 82,0 \text{ cm}^4$   
 $I_y = 23,6 \text{ cm}^4$   
 $W_x = 18,2 \text{ cm}^3$   
 $W_y = 10,5 \text{ cm}^3$   
 m = 3,0 kg/m



19435

Cover cap	Color	ESD	No.
45x90 (1x)	Signal gray		20 <b>3 842 548 756</b>
45x90 (1x)	Black		20 <b>3 842 548 757</b>

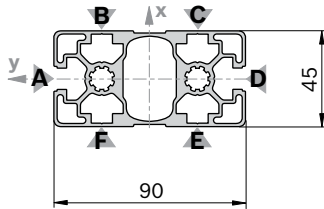
Material: PP

Cover cap with hole	Color	ESD	No.
45x90 (1x)	Signal gray		20 <b>3 842 548 804</b>
45x90 (1x)	Black		20 <b>3 842 548 805</b>

Material: PP

**45x90L 2N**

A = 12,0 cm<sup>2</sup>  
 $I_x = 85,6 \text{ cm}^4$   
 $I_y = 26,9 \text{ cm}^4$   
 $W_x = 38,1 \text{ cm}^3$   
 $W_y = 6,0 \text{ cm}^3$   
 m = 3,2 kg/m



19436

Cover cap: see 45x90

45x90L	L (mm)	No.
1 pcs	50 ... 6000	<b>3 842 992 432 / L</b>
1 pcs M12	60 ... 6000	<b>3 842 992 453 / L</b>
1 pcs M12  M12	110 ... 6000	<b>3 842 992 433 / L</b>
1 pcs D17  D17	80 ... 6000	<b>3 842 992 437 / L</b>
1 pcs D17  D17V	80 ... 6000	<b>3 842 992 436 / L</b>
1 pcs D17V	60 ... 6000	<b>3 842 992 452 / L</b>
1 pcs D17V  D17V	90 ... 6000	<b>3 842 992 435 / L</b>
1 pcs LF  LF	80 ... 6000	<b>3 842 993 084 / L</b>
12 pcs	6070	<b>3 842 553 612</b>

Profile finishing: M12: in all core holes  
 D17: in slots B/F, C/E  
 D17V: in slots A/D  
 LF: in slots A/D

Quick & Easy (p. 2-8, see fold-out section)

45x90L	3 842 993 662 / ...
Length L (mm)	50 ... 6000
Standard profile finishing (note minimum length, p. 2-25)	M12 / D9.8 / D17 / DB17 / F1 (A,D) <sup>1)</sup>
Customized profile finishing (L <sub>max</sub> = 5400 mm)	DI / DIS / MT / MTS / MI / MIS / DG <sup>2)</sup>

<sup>1)</sup> For the specified slots

<sup>2)</sup> DG<sub>max</sub> = 45°; L<sub>min1</sub> / L<sub>min2</sub> = 456 / 612 mm

45x90L 2N	L (mm)	No.
1 pcs	50 ... 6000	<b>3 842 993 644 / L</b>
12 pcs	6070	<b>3 842 538 299</b>

Quick & Easy (p. 2-8, see fold-out section)

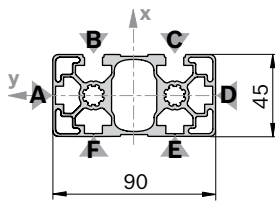
45x90L 2N	3 842 993 751 / ...
Length L (mm)	50 ... 6000
Standard profile finishing (note minimum length, p. 2-25)	M12 / D9.8 / D17 / DB17 / F1 (A,D) <sup>1)</sup>
Customized profile finishing (L <sub>max</sub> = 5400 mm)	DI / DIS / MT / MTS / MI / MIS / DG <sup>2)</sup>

<sup>1)</sup> For the specified slots

<sup>2)</sup> DG<sub>max</sub> = 45°; L<sub>min1</sub> / L<sub>min2</sub> = 456 / 612 mm


**45x90L 2NVS**

$A = 12,0 \text{ cm}^2$   
 $I_x = 25,9 \text{ cm}^4$   
 $I_y = 90,6 \text{ cm}^4$   
 $W_x = 5,7 \text{ cm}^3$   
 $W_y = 40,3 \text{ cm}^3$   
 $m = 3,3 \text{ kg/m}$



33096

Cover cap: see 45x90

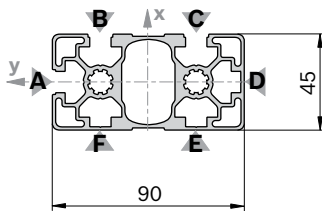
<b>45x90L 2NVS</b>		<b>L (mm)</b>	<b>No.</b>
	12 pcs	6070	<b>3 842 555 652</b>

**Quick & Easy** (p. 2-8; see fold-out section)

<b>45x90L 2NVS</b>		<b>3 842 993 770 / ...</b>
Length L (mm)	50 ... 6000	
Standard profile finishing (note minimum length, p. 2-25)	M12 / D9.8 / D17 / DB17	
Customized profile finishing ( $L_{\max} = 5400 \text{ mm}$ )	DI / DIS / MT / MTS / MI / MIS / DG <sup>1)</sup>	


<sup>1)</sup>  $DG_{\max} = 45^\circ$ ;  $L_{\min 1} / L_{\min 2} = 456 / 612 \text{ mm}$ 
**45x90L 3NVS**

$A = 11,8 \text{ cm}^2$   
 $I_x = 87,2 \text{ cm}^4$   
 $I_y = 25,2 \text{ cm}^4$   
 $W_x = 38,8 \text{ cm}^3$   
 $W_y = 5,6 \text{ cm}^3$   
 $m = 3,2 \text{ kg/m}$



19437

Cover cap: see 45x90

<b>45x90L 3NVS</b>		<b>L (mm)</b>	<b>No.</b>
	1 pcs	50 ... 6000	<b>3 842 993 635 / L</b>
	12 pcs	6070	<b>3 842 538 298</b>

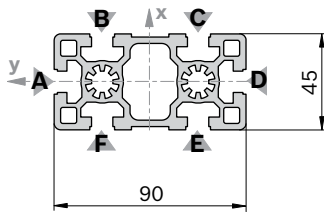
**Quick & Easy** (p. 2-8, see fold-out section)

<b>45x90L 3NVS</b>		<b>3 842 993 752 / ...</b>
Length L (mm)	50 ... 6000	
Standard profile finishing (note minimum length, p. 2-25)	M12 / D9.8 / D17 / DB17	
Customized profile finishing ( $L_{\max} = 5400 \text{ mm}$ )	DI / DIS / MT / MTS / MI / MIS / DG <sup>1)</sup>	

<sup>1)</sup>  $DG_{\max} = 45^\circ$ ;  $L_{\min 1} / L_{\min 2} = 456 / 612 \text{ mm}$

**45x90**

A = 15,4 cm<sup>2</sup>  
 I<sub>x</sub> = 124,6 cm<sup>4</sup>  
 I<sub>y</sub> = 32,8 cm<sup>4</sup>  
 W<sub>x</sub> = 27,7 cm<sup>3</sup>  
 W<sub>y</sub> = 14,6 cm<sup>3</sup>  
 m = 4,2 kg/m



19438

Cover cap	Color	ESD	No.
45x90 (1x)	Signal gray		20 <b>3 842 548 756</b>
45x90 (1x)	Black		20 <b>3 842 548 757</b>

Material: PP

Cover cap with hole	Color	ESD	No.
45x90 (1x)	Signal gray		20 <b>3 842 548 804</b>
45x90 (1x)	Black		20 <b>3 842 548 805</b>

Material: PP

45x90	L (mm)	No.
1 pcs	50 ... 6000	<b>3 842 990 300 / L</b>
1 pcs M12	60 ... 6000	<b>3 842 990 301 / L</b>
1 pcs M12  M12	110 ... 6000	<b>3 842 990 302 / L</b>
1 pcs M12  D17	90 ... 6000	<b>3 842 990 323 / L</b>
1 pcs M12  D17V	90 ... 6000	<b>3 842 990 305 / L</b>
1 pcs M16	120 ... 6000	<b>3 842 990 303 / L</b>
1 pcs M16  M16	240 ... 6000	<b>3 842 990 304 / L</b>
1 pcs M16  D17	170 ... 6000	<b>3 842 990 325 / L</b>
1 pcs M16  D17V	170 ... 6000	<b>3 842 990 307 / L</b>
1 pcs D17	60 ... 6000	<b>3 842 990 329 / L</b>
1 pcs D17  D17	80 ... 6000	<b>3 842 990 313 / L</b>
1 pcs D17  D17V	90 ... 6000	<b>3 842 990 311 / L</b>
1 pcs D17V	60 ... 6000	<b>3 842 990 331 / L</b>
1 pcs D17V  D17V	90 ... 6000	<b>3 842 990 309 / L</b>
12 pcs	6070	<b>3 842 553 615</b>

Profile finishing: M12, M16: in all core holes  
 D17: in slots B/F, C/E  
 D17V: in slots A/D

**Quick & Easy** (p. 2-8, see fold-out section)

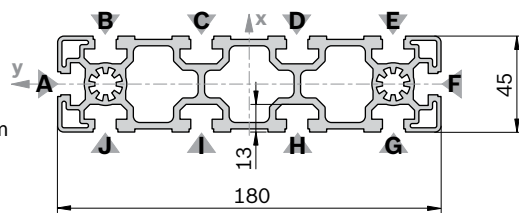
45x90	3 842 993 661 / ...
Length L (mm)	50 ... 6000
Standard profile finishing (note minimum length, p. 2-25)	M12 / M16 / D9.8 / D17 / DB17 / F1 (A,D) <sup>1)</sup>
Customized profile finishing (L <sub>max</sub> = 5400 mm)	DI / DIS / MT / MTS / MI / MIS / DG <sup>2)</sup>

<sup>1)</sup> For the specified slots

<sup>2)</sup> DG<sub>max</sub> = 45°; L<sub>min1</sub> / L<sub>min2</sub> = 456 / 612 mm

**45x180**

A = 25,5 cm<sup>2</sup>  
 I<sub>x</sub> = 766,7 cm<sup>4</sup>  
 I<sub>y</sub> = 57,3 cm<sup>4</sup>  
 W<sub>x</sub> = 85,2 cm<sup>3</sup>  
 W<sub>y</sub> = 25,5 cm<sup>3</sup>  
 m = 6,9 kg/m



19439

Cover cap	Color	ESD	No.
45x180 (1x)	Signal gray		20 <b>3 842 548 794</b>
45x180 (1x)	Black		20 <b>3 842 548 795</b>

Material: PP

45x180	L (mm)	No.
1 pcs	50 ... 6000	<b>3 842 990 335 / L</b>
1 pcs M12	60 ... 6000	<b>3 842 990 336 / L</b>
1 pcs M12  M12	110 ... 6000	<b>3 842 990 339 / L</b>
1 pcs D17  D17	80 ... 6000	<b>3 842 990 342 / L</b>
1 pcs D17V  D17V	90 ... 6000	<b>3 842 990 344 / L</b>
6 pcs	6070	<b>3 842 553 616</b>

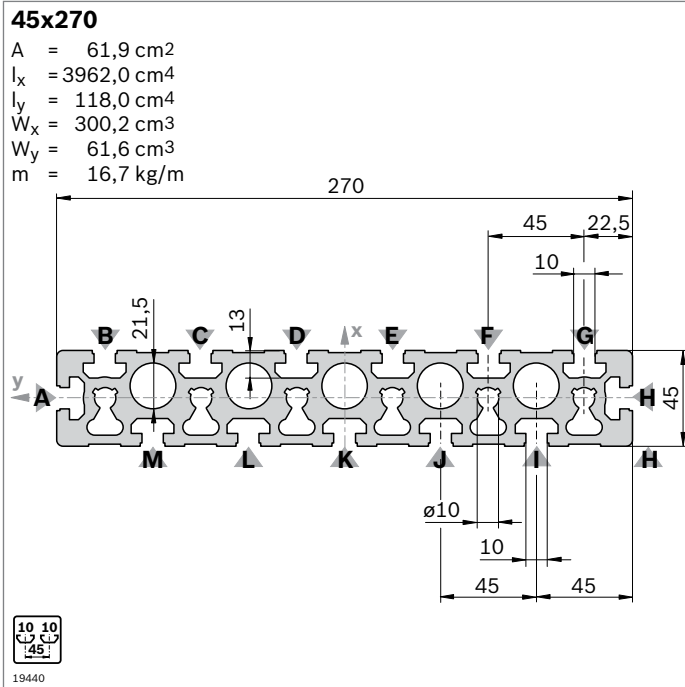
Profile finishing: M12: in all core holes  
 D17: in slots B/J, E/G  
 D17V: in slots A/F

**Quick & Easy** (p. 2-8, see fold-out section)

45x180	3 842 993 731 / ...
Length L (mm)	80 ... 6000
Standard profile finishing (note minimum length, p. 2-25)	M12 / M16 / D9.8 (B,C,D,E,G,H,I,J) <sup>1)</sup> / D17 (B,C,D,E,G,H,I,J) <sup>1)</sup> / DB17 / F1 (A,F) <sup>1)</sup>
Customized profile finishing (L <sub>max</sub> = 5400 mm)	DI / DIS / MT / MTS / MI / MIS / DG <sup>2)</sup>

<sup>1)</sup> For the specified slots

<sup>2)</sup> DG<sub>max</sub> = 30°; L<sub>min1</sub> / L<sub>min2</sub> = 404 / 508 mm



45x270	L (mm)	No.
1 pcs	50 ... 5600	<b>3 842 992 927 / L</b>
1 pcs M12	110 ... 5600	<b>3 842 992 928 / L</b>
2 pcs	5600	<b>3 842 520 025</b>

Profile finishing: M12: in core holes with C, F slots

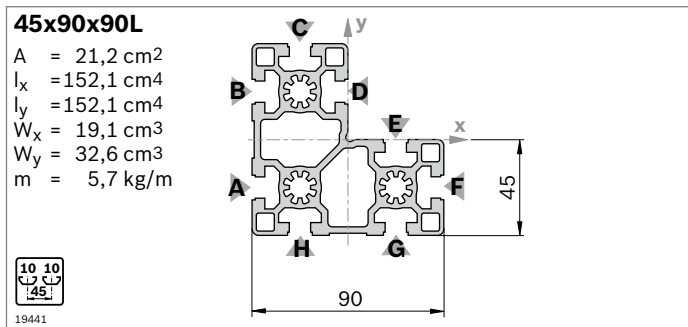
**Quick & Easy** (p. 2-8, see fold-out section)

45x270	3 842 993 732 / ...
Length L (mm)	80 ... 5600
Standard profile finishing (note minimum length, p. 2-25)	M12 / D9.8 (B,C,D,E,F,G, I,J,K,L,M) <sup>1)</sup> / D17 (B,C,D,E,F,G,I,J,K,L,M) <sup>1)</sup> / DB17 / F1 (A,H) <sup>1)</sup>
Customized profile finishing (L <sub>max</sub> = 4900 mm)	DI / DIS / MT / MTS / MI / MIS

<sup>1)</sup> For the specified slots

Cover cap	Color	ESD	No.
45x90 (3x)	Signal gray	20	<b>3 842 548 756</b>
45x90 (3x)	Black	20	<b>3 842 548 757</b>

Material: PP



45x90x90L	L (mm)	No.
1 pcs	50 ... 6000	<b>3 842 992 387 / L</b>
1 pcs M12	60 ... 6000	<b>3 842 992 388 / L</b>
8 pcs	6070	<b>3 842 537 823</b>

Profile finishing: M12: in the central bore at the intersection of slots A and H

**Quick & Easy** (p. 2-8; see fold-out section)

45x90x90L	3 842 993 682 / ...
Length L (mm)	50 ... 6000
Standard profile finishing (note minimum length, p. 2-25)	M12 / D9.8 / D17 / DB17 (A,B,C,F,G,H) <sup>1)</sup>
Customized profile finishing (L <sub>max</sub> = 5400 mm)	DI / DIS / MT / MTS / MI / MIS / DG <sup>2)</sup>

<sup>1)</sup> For the specified slots

<sup>2)</sup> DG<sub>max</sub> = 45°; L<sub>min1</sub> / L<sub>min2</sub> = 456 / 612 mm

Cover cap	Color	ESD	No.
45x90x90 (1x)	Signal gray	20	<b>3 842 548 806</b>
45x90x90 (1x)	Black	20	<b>3 842 548 807</b>

Material: PP

Cap with hole <sup>1)</sup>	Color	ESD	No.
45x90x90 (1x)	Signal gray	20	<b>3 842 548 806</b>
45x90x90 (1x)	Black	20	<b>3 842 548 807</b>

Material: PP

<sup>1)</sup>The cover cap is also suitable for use with a hole, which can be broken out

**45x90x90L 4N**

$A = 22,1 \text{ cm}^2$   
 $I_x = 160,8 \text{ cm}^4$   
 $I_y = 160,8 \text{ cm}^4$   
 $W_x = 30,6 \text{ cm}^3$   
 $W_y = 30,6 \text{ cm}^3$   
 $m = 6,0 \text{ kg/m}$

10 10  
145  
29432

Cover cap: see 45x90x90L

**90x90SL**

$A = 14,1 \text{ cm}^2$   
 $I_x = 130,2 \text{ cm}^4$   
 $I_y = 130,2 \text{ cm}^4$   
 $W_x = 28,9 \text{ cm}^3$   
 $W_y = 28,9 \text{ cm}^3$   
 $m = 3,8 \text{ kg/m}$

10 10  
145  
19442

Cover cap: see 90x90L

**90x90L**

$A = 24,1 \text{ cm}^2$   
 $I_x = 211,1 \text{ cm}^4$   
 $I_y = 211,1 \text{ cm}^4$   
 $W_x = 46,9 \text{ cm}^3$   
 $W_y = 46,9 \text{ cm}^3$   
 $m = 6,5 \text{ kg/m}$

10 10  
145  
19443

Cover cap	Color	ESD	No.
90x90L (1x)	Signal gray		20 <b>3 842 548 758</b>
90x90L (1x)	Black		20 <b>3 842 548 759</b>
Material:	PP		

45x90x90L 4N	L (mm)	No.
8 pcs	6070	<b>3 842 547 827</b>

**Quick & Easy** (p. 2-8, see fold-out section)

45x90x90L 4N	3 842 993 764
Length L (mm)	50 ... 6070
Standard profile finishing (note minimum length, p. 2-25)	M12 / D9.8 / D17 / DB17 (A,B,C,F,G,H) <sup>1)</sup>
Customized profile finishing ( $L_{max} = 5400 \text{ mm}$ )	DI / DIS / MT / MTS / MI / MIS / DG <sup>2)</sup>

<sup>1)</sup> For the specified slots

<sup>2)</sup>  $DG_{max} = 45^\circ$ ;  $L_{min1} / L_{min2} = 456 / 612 \text{ mm}$

90x90SL	L (mm)	No.
1 pcs	50 ... 6000	<b>3 842 993 449 / L</b>
6 pcs	6070	<b>3 842 537 100</b>

**Quick & Easy** (p. 2-8, see fold-out section)

90x90SL	3 842 993 681 / ...
Length L (mm)	50 ... 6000
Standard profile finishing (note minimum length, p. 2-25)	M12 / D9.8 / D17 / DB17
Customized profile finishing ( $L_{max} = 5400 \text{ mm}$ )	DI / DIS / DG <sup>1)</sup>

<sup>1)</sup>  $DG_{max} = 45^\circ$ ;  $L_{min1} / L_{min2} = 456 / 612 \text{ mm}$

90x90L	L (mm)	No.
1 pcs	50 ... 6000	<b>3 842 992 415 / L</b>
1 pcs M12	60 ... 6000	<b>3 842 992 416 / L</b>
1 pcs M12 M12	110 ... 6000	<b>3 842 992 422 / L</b>
1 pcs M12 D17	90 ... 6000	<b>3 842 992 423 / L</b>
1 pcs D17	60 ... 6000	<b>3 842 992 417 / L</b>
1 pcs D17 D17	80 ... 6000	<b>3 842 992 420 / L</b>
1 pcs D17 D17V	80 ... 6000	<b>3 842 992 421 / L</b>
1 pcs LF LF	80 ... 6000	<b>3 842 992 418 / L</b>
1 pcs LF M12	90 ... 6000	<b>3 842 992 419 / L</b>
6 pcs	6070	<b>3 842 553 613</b>

Profile finishing:

- M12: in all core holes
- D17: in slots C/H, D/G
- D17V: in slots A/F, B/E
- LF: in slots C/H, D/G

**Quick & Easy** (p. 2-8, see fold-out section)

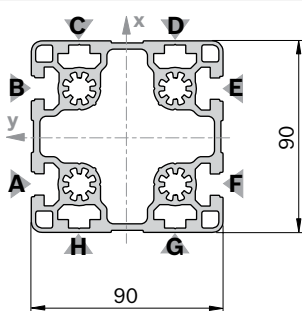
90x90L	3 842 993 680 / ...
Length L (mm)	50 ... 6000
Standard profile finishing (note minimum length, p. 2-25)	M12 / D9.8 / D17 / DB17
Customized profile finishing ( $L_{max} = 5400 \text{ mm}$ )	DI / DIS / MT / MTS / MI / MIS / DG <sup>1)</sup>

<sup>1)</sup>  $DG_{max} = 45^\circ$ ;  $L_{min1} / L_{min2} = 456 / 612 \text{ mm}$



**90x90L 4N**

A = 24,2 cm<sup>2</sup>  
 I<sub>x</sub> = 227,4 cm<sup>4</sup>  
 I<sub>y</sub> = 214,7 cm<sup>4</sup>  
 W<sub>x</sub> = 50,5 cm<sup>3</sup>  
 W<sub>y</sub> = 47,7 cm<sup>3</sup>  
 m = 6,5 kg/m



Cover cap: see 90x90L

90x90L 4N		L (mm)	No.
1 pcs		50 ... 6000	<b>3 842 993 628 / L</b>
	6 pcs	6070	<b>3 842 538 297</b>

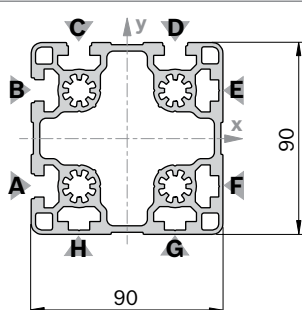
**Quick & Easy** (p. 2-8, see fold-out section)

90x90L 4N		3 842 993 755 / ...	
Length L (mm)		50 ... 5600	
Standard profile finishing (note minimum length, p. 2-25)		M12 / D9.8 / D17 / DB17	
Customized profile finishing (L <sub>max</sub> = 4900 mm)		DI / DIS / MT / MTS / MI / MIS / DG <sup>1)</sup>	

<sup>1)</sup> DG<sub>max</sub> = 45°; L<sub>min1</sub> / L<sub>min2</sub> = 456 / 612 mm

**90x90L 4NVS**

A = 24,2 cm<sup>2</sup>  
 I<sub>x</sub> = 220,9 cm<sup>4</sup>  
 I<sub>y</sub> = 220,9 cm<sup>4</sup>  
 W<sub>x</sub> = 49,2 cm<sup>3</sup>  
 W<sub>y</sub> = 49,2 cm<sup>3</sup>  
 m = 6,5 kg/m



Cover cap: see 90x90L

90x90L 4NVS		L (mm)	No.
1 pcs		50 ... 6000	<b>3 842 993 621 / L</b>
	6 pcs	6070	<b>3 842 538 296</b>

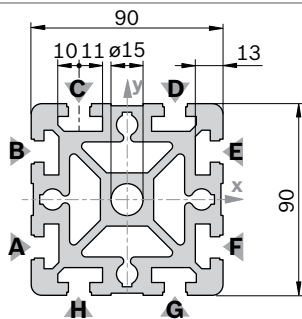
**Quick & Easy** (p. 2-8, see fold-out section)

90x90L 4NVS		3 842 993 756 / ...	
Length L (mm)		50 ... 5600	
Standard profile finishing (note minimum length, p. 2-25)		M12 / D9.8 / D17 / DB17	
Customized profile finishing (L <sub>max</sub> = 4900 mm)		DI / DIS / MT / MTS / MI / MIS / DG <sup>1)</sup>	

<sup>1)</sup> DG<sub>max</sub> = 45°; L<sub>min1</sub> / L<sub>min2</sub> = 456 / 612 mm

**90x90**

A = 38,4 cm<sup>2</sup>  
 I<sub>x</sub> = 299,8 cm<sup>4</sup>  
 I<sub>y</sub> = 299,8 cm<sup>4</sup>  
 W<sub>x</sub> = 66,7 cm<sup>3</sup>  
 W<sub>y</sub> = 66,7 cm<sup>3</sup>  
 m = 10,4 kg/m



Cover cap	Color	ESD		No.
90x90 (1x)	Signal gray		20	<b>3 842 548 760</b>
90x90 (1x)	Black		20	<b>3 842 548 761</b>
Material:		PP		

Cover cap with hole	Color	ESD		No.
90x90 (1x)	Signal gray		20	<b>3 842 548 814</b>
90x90 (1x)	Black		20	<b>3 842 548 815</b>
Material:		PP		

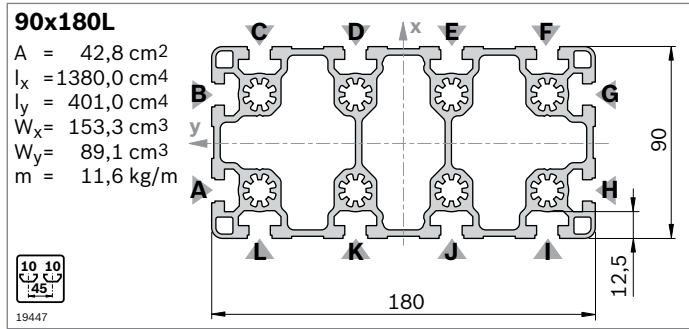
**Note:** A quick connector cannot be used

90x90		L (mm)	No.
1 pcs		50 ... 5600	<b>3 842 990 500 / L</b>
1 pcs	M16	120 ... 5600	<b>3 842 990 501 / L</b>
1 pcs	M16  M16	240 ... 5600	<b>3 842 990 502 / L</b>
1 pcs	M16  D17	170 ... 5600	<b>3 842 992 961 / L</b>
1 pcs	M16/D22	60 ... 5600	<b>3 842 992 373 / L</b>
1 pcs	M16/D22  M16/D22	120 ... 5600	<b>3 842 993 083 / L</b>
1 pcs	D17	60 ... 5600	<b>3 842 990 092 / L</b>
1 pcs	D17  D17	80 ... 5600	<b>3 842 990 093 / L</b>
1 pcs	D17  D17V	80 ... 5600	<b>3 842 990 094 / L</b>
1 pcs	LF  LF	80 ... 5600	<b>3 842 993 082 / L</b>
1 pcs	F2	60 ... 5600	<b>3 842 990 505 / L</b>
1 pcs	F2  F2	110 ... 5600	<b>3 842 990 507 / L</b>
	6 pcs	5600	<b>3 842 509 189</b>

**Quick & Easy** (p. 2-8, see fold-out section)

90x90		3 842 993 679 / ...	
Length L (mm)		50 ... 5600	
Standard profile finishing (note minimum length, p. 2-25)		M16 / D9.8 / D17 / DB17 / F1	
Customized profile finishing (L <sub>max</sub> = 4900 mm)		DI / DIS / MT / MTS / MI / MIS / DG <sup>1)</sup>	

<sup>1)</sup> DG<sub>max</sub> = 45°; L<sub>min1</sub> / L<sub>min2</sub> = 456 / 612 mm



Cover cap	Color	ESD	No.
90x90L (2x)	Signal gray		20 <b>3 842 548 758</b>
90x90L (2x)	Black		20 <b>3 842 548 759</b>

Material: PP

90x180L	L (mm)	No.
1 pcs	50 ... 5600	<b>3 842 992 857 / L</b>
1 pcs M12	60 ... 5600	<b>3 842 992 858 / L</b>
1 pcs M12  M12	110 ... 5600	<b>3 842 992 859 / L</b>
1 pcs M1  LF	90 ... 5600	<b>3 842 992 860 / L</b>
1 pcs D17V  D17V	90 ... 5600	<b>3 842 992 864 / L</b>
1 pcs LF  LF	80 ... 5600	<b>3 842 992 861 / L</b>
3 pcs	5600	<b>3 842 516 015</b>

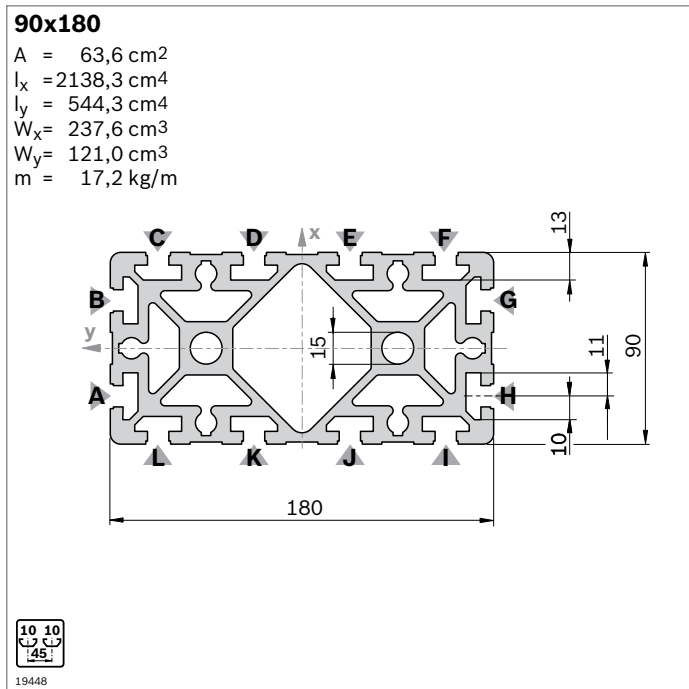
Profile finishing: M12: in all core holes  
 D17V: in slots A/H, B/G  
 LF: in slots A/H, B/G

**Quick & Easy** (p. 2-8, see fold-out section)

90x180L	3 842 993 677 / ...
Length L (mm)	80 ... 5600
Standard profile finishing (note minimum length, p. 2-25)	M12 / D9.8 (C,D,E,F,I, J,K,L) <sup>1)</sup> / D17 (C,D,E,F,I,J, K,L) <sup>1)</sup> / DB17 / F1 (A,G) <sup>1)</sup>
Customized profile finishing (L <sub>max</sub> = 4900 mm)	DI / DIS / MT / MTS / MI / MIS / DG <sup>2)</sup>

<sup>1)</sup> For the specified slots

<sup>2)</sup> DG<sub>max</sub> = 30°; L<sub>min1</sub> / L<sub>min2</sub> = 404 / 508 mm



Cover cap	Color	ESD	No.
90x90 (2x)	Signal gray		20 <b>3 842 548 760</b>
90x90 (2x)	Black		20 <b>3 842 548 761</b>

Material: PP

Cover cap with hole	Color	ESD	No.
90x90 (2x)	Signal gray		20 <b>3 842 548 814</b>
90x90 (2x)	Black		20 <b>3 842 548 815</b>

Material: PP

90x180	L (mm)	No.
1 pcs	50 ... 6000	<b>3 842 990 416 / L</b>
1 pcs M16	120 ... 6000	<b>3 842 990 417 / L</b>
1 pcs M16  M16	240 ... 6000	<b>3 842 990 418 / L</b>
1 pcs M16  F2	170 ... 6000	<b>3 842 990 419 / L</b>
1 pcs D17V  D17V	90 ... 6000	<b>3 842 992 378 / L</b>
1 pcs LF  LF	80 ... 6000	<b>3 842 992 898 / L</b>
1 pcs LF-S  LF-S	80 ... 6000	<b>3 842 993 081 / L</b>
1 pcs F2  F2	110 ... 6000	<b>3 842 990 421 / L</b>
3 pcs	6070	<b>3 842 553 617</b>

Profile finishing: M16: in all core holes  
 D17V: in slots A/H, B/G  
 LF: in slots A/H, B/G  
 LF-S: in slots D/K, E/J

**Quick & Easy** (p. 2-8, see fold-out section)

90x180	3 842 993 676 / ...
Length L (mm)	80 ... 6000
Standard profile finishing (note minimum length, p. 2-25)	M16 / D9.8 (C,D,E,F,I,J, K,L) <sup>1)</sup> / D17 (C,D,E,F,I,J, K,L) <sup>1)</sup> / DB17 / F1 (A,G) <sup>1)</sup>
Customized profile finishing (L <sub>max</sub> = 5400 mm)	DI / DIS / MT / MTS / MI / MIS / DG <sup>2)</sup>

<sup>1)</sup> For the specified slots

<sup>2)</sup> DG<sub>max</sub> = 30°; L<sub>min1</sub> / L<sub>min2</sub> = 404 / 508 mm

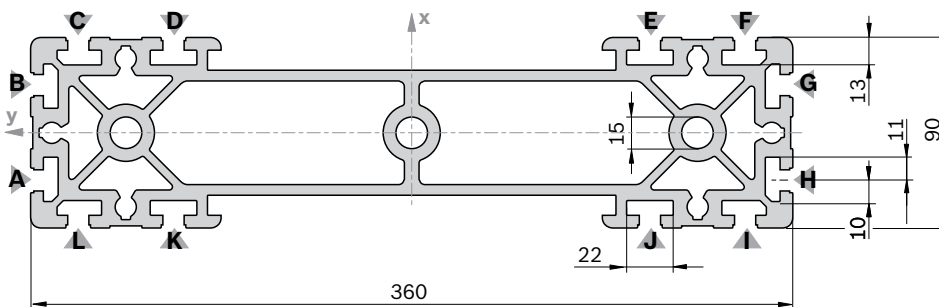
**Note:** A quick connector cannot be used with profile 90x180

**90x360**

A = 90,2 cm<sup>2</sup>  
 I<sub>x</sub> = 14065,0 cm<sup>4</sup>  
 I<sub>y</sub> = 710,0 cm<sup>4</sup>  
 W<sub>x</sub> = 781,4 cm<sup>3</sup>  
 W<sub>y</sub> = 157,7 cm<sup>3</sup>  
 m = 24,4 kg/m



19449



Cover cap	Color	ESD	No.
90x90 (2x)	Signal gray		20 <b>3 842 548 760</b>
90x90 (2x)	Black		20 <b>3 842 548 761</b>
Material:	PP		

Cover cap with hole	Color	ESD	No.
90x90 (2x)	Signal gray		20 <b>3 842 548 814</b>
90x90 (2x)	Black		20 <b>3 842 548 815</b>
Material:	PP		

**Note:** A quick connector cannot be used

90x360	L (mm)	No.
	50 ... 6000	<b>3 842 993 434</b>
M16  M16	240 ... 6000	<b>3 842 993 435 / L</b>
F2  F2	110 ... 6000	<b>3 842 993 436 / L</b>

Profile finishing: M16: in all core holes

**Quick & Easy** (p. 2-8, see fold-out section)

90x360	No.
	<b>3 842 993 678 / ...</b>
Length L (mm)	80 ... 6000
Standard profile finishing (note minimum length, p. 2-25)	M16 / D9.8 (C,D,E,F,I,J, K,L) <sup>1)</sup> / D17 (C,D,E,F,I,J, K,L) <sup>1)</sup> / DB17 / F1 (A,G) <sup>1)</sup>
Customized profile finishing (L <sub>max</sub> = 5400 mm)	DI / DIS / MT / MTS / MI / MIS

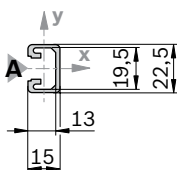
<sup>1)</sup> For the specified slots

**15x22,5**

A = 1,3 cm<sup>2</sup>  
 I<sub>x</sub> = 0,8 cm<sup>4</sup>  
 I<sub>y</sub> = 0,3 cm<sup>4</sup>  
 W<sub>x</sub> = 0,9 cm<sup>3</sup>  
 W<sub>y</sub> = 0,6 cm<sup>3</sup>  
 m = 0,3 kg/m



19450

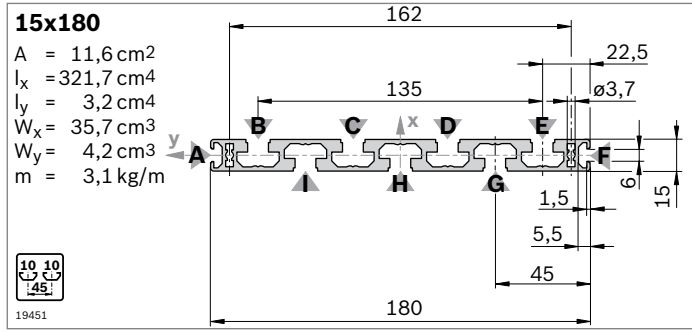


Cover cap	Color	ESD	No.
15x22.5 (1x)	Signal gray		20 <b>3 842 548 816</b>
15x22.5 (1x)	Black		20 <b>3 842 548 817</b>
Material:	PP		

15x22.5	L (mm)	No.
1 pcs	50 ... 3000	<b>3 842 992 473 / L</b>
1 pcs D17	60 ... 3000	<b>3 842 992 474 / L</b>
1 pcs D17  D17	80 ... 3000	<b>3 842 992 475 / L</b>
10 pcs	2000	<b>3 842 513 576</b>

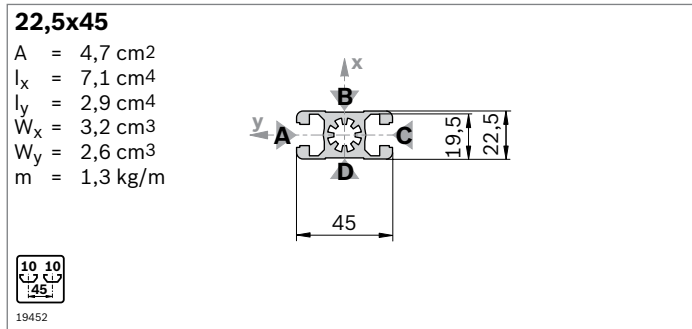
**Quick & Easy** (p. 2-8, see fold-out section)

15x22.5	No.
	<b>3 842 993 689 / ...</b>
Length L (mm)	50 ... 2000
Standard profile finishing (note minimum length, p. 2-25)	D9.8 / D17
Customized profile finishing	—



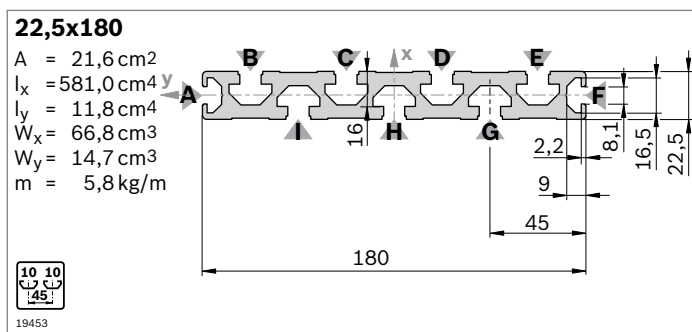
Cover cap	Color	ESD	No.
15x180 (1x)	Signal gray		20 <b>3 842 548 772</b>
15x180 (1x)	Black		20 <b>3 842 548 773</b>

Material: PP



Cover cap	Color	ESD	No.
22.5x45 (1x)	Signal gray		20 <b>3 842 548 830</b>
22.5x45 (1x)	Black		20 <b>3 842 548 831</b>

Material: PP



Cover cap	Color	ESD	No.
22.5x180 (1x)	Signal gray		20 <b>3 842 548 770</b>
22.5x180 (1x)	Black		20 <b>3 842 548 771</b>

Material: PP

15x180	L (mm)	No.
1 pcs	50 ... 5600	<b>3 842 993 079 / L</b>
6 pcs	5600	<b>3 842 526 821</b>

**Quick & Easy** (p. 2-8, see fold-out section)

15x180	3 842 993 686 / ...
Length L (mm)	80 ... 5600
Standard profile finishing (note minimum length, p. 2-25)	D9.8 (B,C,D,E,G,H,I) <sup>1)</sup> / D17 (B,C,D,E,G,H,I) <sup>1)</sup>
Customized profile finishing (L <sub>max</sub> = 4900 mm)	DI / DIS / MT / MTS / MI / MIS

<sup>1)</sup> For the specified slots

22.5x45	L (mm)	No.
1 pcs	50 ... 6000	<b>3 842 990 292 / L</b>
1 pcs M12	60 ... 6000	<b>3 842 990 087 / L</b>
1 pcs M12  M12	110 ... 6000	<b>3 842 990 090 / L</b>
1 pcs D17V  D17V	80 ... 6000	<b>3 842 990 091 / L</b>
24 pcs	6070	<b>3 842 537 812</b>

**Quick & Easy** (p. 2-8, see fold-out section)

22.5x45	3 842 993 700 / ...
Length L (mm)	50 ... 6000
Standard profile finishing (note minimum length, p. 2-25)	M12 / D9.8 (A,C) <sup>1)</sup> / D17 / DB17 (A,C) <sup>1)</sup>
Customized profile finishing (L <sub>max</sub> = 5400 mm)	DI / DIS / MT / MTS / MI / MIS / DG <sup>2)</sup>

<sup>1)</sup> For the specified slots

<sup>2)</sup> DG<sub>max</sub> = 45°; L<sub>min1</sub> / L<sub>min2</sub> = 378 / 456 mm

22.5x180	L (mm)	No.
1 pcs	50 ... 5600	<b>3 842 990 345 / L</b>
1 pcs D28	60 ... 5600	<b>3 842 990 346 / L</b>
1 pcs D28  D28	110 ... 5600	<b>3 842 990 347 / L</b>
6 pcs	5600	<b>3 842 509 179</b>

Profile finishing: D28: in slots G, I

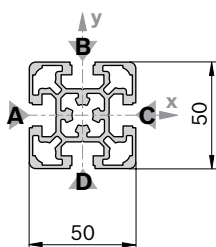
**Quick & Easy** (p. 2-8, see fold-out section)

22.5x180	3 842 993 699 / ...
Length L (mm)	80 ... 5600
Standard profile finishing (note minimum length, p. 2-25)	D9.8 (B,C,D,E,G,H,I) <sup>1)</sup> / D17 (B,C,D,E,G,H,I) <sup>1)</sup>
Customized profile finishing (L <sub>max</sub> = 4900 mm)	DI / DIS / MT / MTS / MI / MIS

<sup>1)</sup> For the specified slots

**50x50L**

$A = 9,3 \text{ cm}^2$   
 $I_x = 21,2 \text{ cm}^4$   
 $I_y = 21,2 \text{ cm}^4$   
 $W_x = 8,5 \text{ cm}^3$   
 $W_y = 8,5 \text{ cm}^3$   
 $m = 2,5 \text{ kg/m}$



19454

Cover cap	Color	ESD	No.
50x50 (1x)	Signal gray		3 842 548 820
50x50 (1x)	Black		3 842 548 821

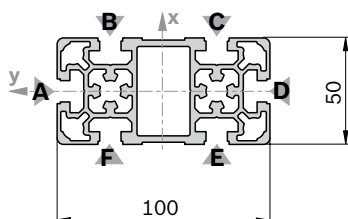
Material: PP

Cover cap with hole	Color	ESD	No.
50x50 (1x)	Signal gray		3 842 548 822
50x50 (1x)	Black		3 842 548 823

Material: PP

**50x100L**

$A = 17,2 \text{ cm}^2$   
 $I_x = 162,8 \text{ cm}^4$   
 $I_y = 42,6 \text{ cm}^4$   
 $W_x = 32,6 \text{ cm}^3$   
 $W_y = 17,0 \text{ cm}^3$   
 $m = 4,6 \text{ kg/m}$



19455

Cover cap	Color	ESD	No.
50x50 (2x)	Signal gray		3 842 548 820
50x50 (2x)	Black		3 842 548 821

Material: PP

Cover cap with hole	Color	ESD	No.
50x50 (2x)	Signal gray		3 842 548 822
50x50 (2x)	Black		3 842 548 823

Material: PP

50x50L	L (mm)	No.
1 pcs	50 ... 6000	3 842 993 156 / L
1 pcs M12	60 ... 6000	3 842 993 157 / L
1 pcs M12 M12	110 ... 6000	3 842 993 158 / L
1 pcs M12 D17	90 ... 6000	3 842 993 159 / L
1 pcs D9,8 D9,8	80 ... 6000	3 842 993 164 / L
1 pcs D17	60 ... 6000	3 842 993 160 / L
1 pcs D17 D17	80 ... 6000	3 842 993 161 / L
1 pcs D17 D17V	80 ... 6000	3 842 993 162 / L
20 pcs	6070	3 842 529 351

**Quick & Easy** (p. 2-8, see fold-out section)

50x50L	3 842 993 665 / ...
Length L (mm)	50 ... 6000
Standard profile finishing (note minimum length, p. 2-25)	M12 / M16 / D9.8 / D17 / DB17
Customized profile finishing ( $L_{\max} = 5400 \text{ mm}$ )	DI / DIS / MT / MTS / MI / MIS / DG <sup>1)</sup>

<sup>1)</sup>  $DG_{\max} = 45^\circ$ ;  $L_{\min1} / L_{\min2} = 387 / 474 \text{ mm}$ 

50x100L	L (mm)	No.
1 pcs	50 ... 6000	3 842 993 163 / L
1 pcs M12	60 ... 6000	3 842 993 165 / L
1 pcs M12 M12	110 ... 6000	3 842 993 166 / L
1 pcs D17 D17	90 ... 6000	3 842 993 167 / L
1 pcs D17 D17V	80 ... 6000	3 842 993 168 / L
1 pcs D17V	60 ... 6000	3 842 993 169 / L
1 pcs D17V D17V	90 ... 6000	3 842 993 170 / L
10 pcs	6070	3 842 537 825

 Profile finishing: M12: in all core holes  
 D17: in slots B/F, C/E  
 D17V: in slot A/D

**Quick & Easy** (p. 2-8, see fold-out section)

50x100L	3 842 993 663 / ...
Length L (mm)	50 ... 6000
Standard profile finishing (note minimum length, p. 2-25)	M12 / M16 / D9,8 / D17 / DB17 / F1 (A, D) <sup>1)</sup>
Customized profile finishing ( $L_{\max} = 5400 \text{ mm}$ )	DI / DIS / MT / MTS / MI / MIS / DG <sup>2)</sup>

<sup>1)</sup> For the specified slots

<sup>2)</sup>  $DG_{\max} = 45^\circ$ ;  $L_{\min1} / L_{\min2} = 474 / 648 \text{ mm}$

**50x150L**

$A = 25,8 \text{ cm}^2$   
 $I_x = 540,0 \text{ cm}^4$   
 $I_y = 64,2 \text{ cm}^4$   
 $W_x = 72,0 \text{ cm}^3$   
 $W_y = 25,7 \text{ cm}^3$   
 $m = 6,9 \text{ kg/m}$

19456

Cover cap	Color	ESD	No.
50x150 (1x)	Signal gray		20 <b>3 842 548 818</b>
50x150 (1x)	Black		20 <b>3 842 548 819</b>

Material: PP

50x150L	L (mm)	No.
1 pcs	50 ... 6000	<b>3 842 993 196 / L</b>
1 pcs M12	60 ... 6000	<b>3 842 993 194 / L</b>
1 pcs M12	110 ... 6000	<b>3 842 993 199 / L</b>
1 pcs D17	80 ... 6000	<b>3 842 993 200 / L</b>
1 pcs D17V	90 ... 6000	<b>3 842 993 228 / L</b>
4 pcs	6070	<b>3 842 537 826</b>

Profile finishing: M12: in all core holes  
 D17: in slots B/H, C/G, D/F  
 D17V: in slots A/E

**Quick & Easy** (p. 2-8, see fold-out section)

50x150L	3 842 993 664 / ...
Length L (mm)	80 ... 6000
Standard profile finishing (note minimum length, p. 2-25)	M12 / M16 / D9.8 (B,C,D,F,G,H) <sup>1)</sup> / D17 (B,C,D,F,G,H) <sup>1)</sup> / DB17 / F1 (A,E) <sup>1)</sup>
Customized profile finishing (L <sub>max</sub> = 5400 mm)	DI / DIS / MT / MTS / MI / MIS / DG <sup>2)</sup>

<sup>1)</sup> For the specified slots

<sup>2)</sup> DG<sub>max</sub> = 45°; L<sub>min1</sub> / L<sub>min2</sub> = 450 / 600 mm

**100x100L**

$A = 29,9 \text{ cm}^2$   
 $I_x = 318,3 \text{ cm}^4$   
 $I_y = 318,3 \text{ cm}^4$   
 $W_x = 63,7 \text{ cm}^3$   
 $W_y = 63,7 \text{ cm}^3$   
 $m = 8,1 \text{ kg/m}$

19457

Cover cap	Color	ESD	No.
100x100 (1x)	Signal gray		20 <b>3 842 548 824</b>
100x100 (1x)	Black		20 <b>3 842 548 825</b>

Material: PP

100x100L	L (mm)	No.
1 pcs	50 ... 6000	<b>3 842 993 171 / L</b>
1 pcs M12	60 ... 6000	<b>3 842 993 172 / L</b>
1 pcs M12	110 ... 6000	<b>3 842 993 173 / L</b>
1 pcs M12	90 ... 6000	<b>3 842 993 174 / L</b>
1 pcs D17	60 ... 6000	<b>3 842 993 175 / L</b>
1 pcs D17	80 ... 6000	<b>3 842 993 176 / L</b>
1 pcs D17	80 ... 6000	<b>3 842 993 177 / L</b>
6 pcs	6070	<b>3 842 529 355</b>

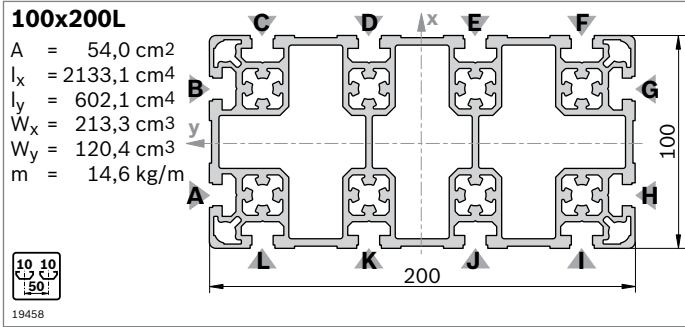
Profile finishing: M12: in all core holes  
 D17: in slots C/H, D/G  
 D17V: in slots A/F, B/E

**Quick & Easy** (p. 2-8, see fold-out section)

100x100L	3 842 993 685 / ...
Length L (mm)	50 ... 6000
Standard profile finishing (note minimum length, p. 2-25)	M12 / M16 / D9,8 / D17 / DB17 / F1
Customized profile finishing (L <sub>max</sub> = 5400 mm)	DI / DIS / MT / MTS / MI / MIS / DG <sup>1)</sup>

<sup>1)</sup> DG<sub>max</sub> = 45°; L<sub>min1</sub> / L<sub>min2</sub> = 474 / 648 mm





Cover cap	Color	ESD	No.
100x100 (2x)	Signal gray		20 <b>3 842 548 824</b>
100x100 (2x)	Black		20 <b>3 842 548 825</b>

Material: PP

100x200L	L (mm)	No.
1 pcs	50 ... 6000	<b>3 842 993 178 / L</b>
1 pcs M12	60 ... 6000	<b>3 842 993 179 / L</b>
1 pcs M12-M12	110 ... 6000	<b>3 842 993 180 / L</b>
1 pcs M12-D17	90 ... 6000	<b>3 842 993 181 / L</b>
1 pcs D17	60 ... 6000	<b>3 842 993 182 / L</b>
1 pcs D17-D17	80 ... 6000	<b>3 842 993 183 / L</b>
1 pcs D17V-D17V	90 ... 6000	<b>3 842 993 227 / L</b>
3 pcs	6070	<b>3 842 529 357</b>

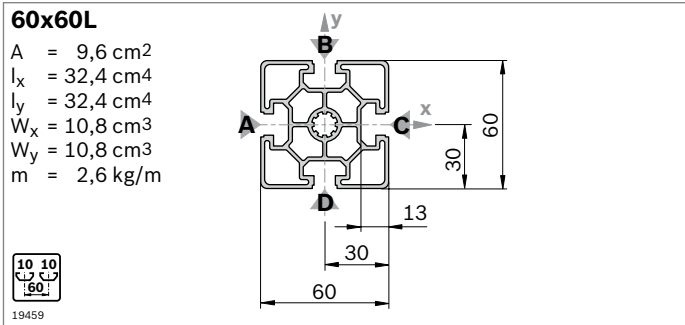
Profile finishing: M12: in all core holes  
 D17: in slots C/L, D/K, E/J, F/I  
 D17V: in slots A/H, B/G

Quick & Easy (p. 2-8, see fold-out section)

100x200L	3 842 993 687 / ...
Length L (mm)	50 ... 6000
Standard profile finishing (note minimum length, p. 2-25)	M12 / M16 / D9.8 (C,D,E,F,I,J,K,L) <sup>1)</sup> / D17 (C,D,E,F,I,J,K,L) <sup>1)</sup> / DB17 / F1 (A,G) <sup>1)</sup>
Customized profile finishing (L <sub>max</sub> = 5400 mm)	DI / DIS / MT / MTS / MI / MIS / DG <sup>2)</sup>

<sup>1)</sup> For the specified slots

<sup>2)</sup> DG<sub>max</sub> = 30°; L<sub>min</sub> = 416 / 532 mm



Cover cap	Color	ESD	No.
60x60 (1x)	Signal gray		100 <b>3 842 548 808</b>
60x60 (1x)	Black		100 <b>3 842 548 809</b>

Material: PP

Cover cap with hole	Color	ESD	No.
60x60 (1x)	Signal gray		20 <b>3 842 548 810</b>
60x60 (1x)	Black		20 <b>3 842 548 811</b>

Material: PP

60x60L	L (mm)	No.
1 pcs	50 ... 5600	<b>3 842 992 443 / L</b>
1 pcs M12	60 ... 5600	<b>3 842 992 444 / L</b>
1 pcs M12-M12	110 ... 5600	<b>3 842 992 445 / L</b>
1 pcs M12-D17	90 ... 5600	<b>3 842 992 446 / L</b>
1 pcs D17	60 ... 5600	<b>3 842 992 449 / L</b>
1 pcs D17-D17	80 ... 5600	<b>3 842 992 447 / L</b>
1 pcs D17-D17V	80 ... 5600	<b>3 842 992 448 / L</b>
20 pcs	5600	<b>3 842 511 872</b>

Quick & Easy (p. 2-8, see fold-out section)

60x60L	3 842 993 670 / ...
Length L (mm)	50 ... 5600
Standard profile finishing (note minimum length, p. 2-25)	M12 / D9.8 / D17 / DB17
Customized profile finishing (L <sub>max</sub> = 4900 mm)	DI / DIS / MT / MTS / MI / MIS / DG <sup>1)</sup>

<sup>1)</sup> DG<sub>max</sub> = 45°; L<sub>min</sub> = 404 / 508 mm

**60x60**

$A = 14,4 \text{ cm}^2$   
 $I_x = 52,2 \text{ cm}^4$   
 $I_y = 52,2 \text{ cm}^4$   
 $W_x = 17,4 \text{ cm}^3$   
 $W_y = 17,4 \text{ cm}^3$   
 $m = 3,9 \text{ kg/m}$

19460

Cover cap	Color	ESD	No.
60x60 (1x)	Signal gray		100 <b>3 842 548 808</b>
60x60 (1x)	Black		100 <b>3 842 548 809</b>

Material: PP

Cover cap with hole	Color	ESD	No.
60x60 (1x)	Signal gray		20 <b>3 842 548 810</b>
60x60 (1x)	Black		20 <b>3 842 548 811</b>

Material: PP

**60x90**

$A = 25,8 \text{ cm}^2$   
 $I_x = 214,2 \text{ cm}^4$   
 $I_y = 90,5 \text{ cm}^4$   
 $W_x = 47,6 \text{ cm}^3$   
 $W_y = 30,2 \text{ cm}^3$   
 $m = 7,0 \text{ kg/m}$

19461

Cover cap	Color	ESD	No.
60x90 (1x)	Signal gray		20 <b>3 842 548 812</b>
60x90 (1x)	Black		20 <b>3 842 548 813</b>

Material: PP

Cover cap with hole	Color	ESD	No.
60x90 (1x)	Signal gray		20 <b>3 842 551 050</b>
60x90 (1x)	Black		20 <b>3 842 551 051</b>

Material: PP

**Note:** A quick connector cannot be used

60x60	L (mm)	No.
1 pcs	50 ... 5600	<b>3 842 990 350 / L</b>
1 pcs M12	60 ... 5600	<b>3 842 990 351 / L</b>
1 pcs M12  M12	110 ... 5600	<b>3 842 990 353 / L</b>
1 pcs M12  M16	180 ... 5600	<b>3 842 990 354 / L</b>
1 pcs M12  D17	90 ... 5600	<b>3 842 990 355 / L</b>
1 pcs M16	120 ... 5600	<b>3 842 990 352 / L</b>
1 pcs M16  D17	170 ... 5600	<b>3 842 990 373 / L</b>
1 pcs D17	50 ... 5600	<b>3 842 990 370 / L</b>
1 pcs D17  D17	80 ... 5600	<b>3 842 990 357 / L</b>
1 pcs D17  D17V	80 ... 5600	<b>3 842 990 359 / L</b>
20 pcs	5600	<b>3 842 509 185</b>

**Quick & Easy** (p. 2-8, see fold-out section)

60x60	3 842 993 668 / ...
Length L (mm)	50 ... 5600
Standard profile finishing (note minimum length, p. 2-25)	M12 / M16 / D9,8 / D17 / DB17
Customized profile finishing ( $L_{max} = 4900 \text{ mm}$ )	DI / DIS / MT / MTS / MI / MIS / DG <sup>1)</sup>

<sup>1)</sup>  $DG_{max} = 45^\circ$ ;  $L_{min} = 404 / 508 \text{ mm}$

60x90	L (mm)	No.
1 pcs	50 ... 5600	<b>3 842 990 450 / ...</b>
1 pcs M16	120 ... 5600	<b>3 842 990 453 / ...</b>
1 pcs M16  M16	240 ... 5600	<b>3 842 990 454 / ...</b>
1 pcs M16  D17	170 ... 5600	<b>3 842 992 962 / ...</b>
1 pcs M16  D17V	170 ... 5600	<b>3 842 992 963 / ...</b>
1 pcs M16  F2	170 ... 5600	<b>3 842 990 472 / ...</b>
1 pcs D17  D17	80 ... 5600	<b>3 842 990 097 / ...</b>
1 pcs D17  D17V	80 ... 5600	<b>3 842 990 099 / ...</b>
1 pcs D17V  D17V	90 ... 5600	<b>3 842 990 098 / ...</b>
1 pcs F1  F1	110 ... 5600	<b>3 842 990 464 / ...</b>
1 pcs F1  F1V	110 ... 5600	<b>3 842 990 481 / ...</b>
1 pcs F2  F2	110 ... 5600	<b>3 842 990 478 / ...</b>
10 pcs	5600	<b>3 842 509 183</b>

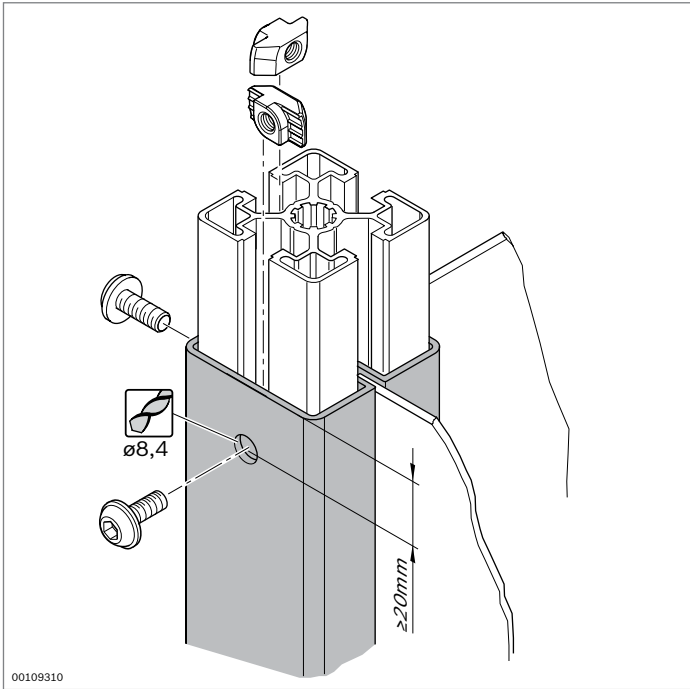
Profile finishing: D17: in slots B/F, C/E  
D17V: in slots A/D

**Quick & Easy** (p. 2-8, see fold-out section)

60x90	3 842 993 671 / ...
Length L (mm)	50 ... 5600
Standard profile finishing (note minimum length, p. 2-25)	M16 / D9,8 / D17 / DB17 / F1 (A, D) <sup>1)</sup>
Customized profile finishing ( $L_{max} = 4900 \text{ mm}$ )	DI / DIS / MT / MTS / MI / MIS / DG <sup>1)</sup>

<sup>1)</sup> For the specified slots

<sup>1)</sup>  $DG_{max} = 45^\circ$ ;  $L_{min} = 456 / 612 \text{ mm}$



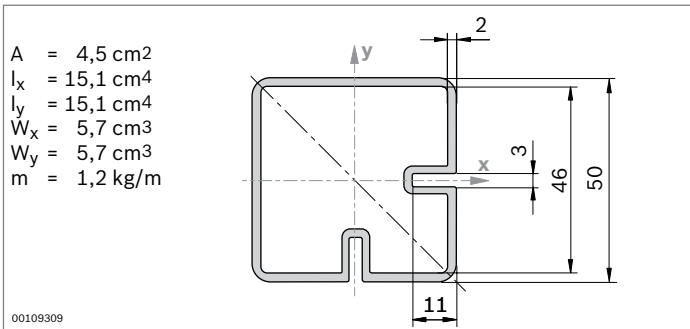
## Rectangular tube



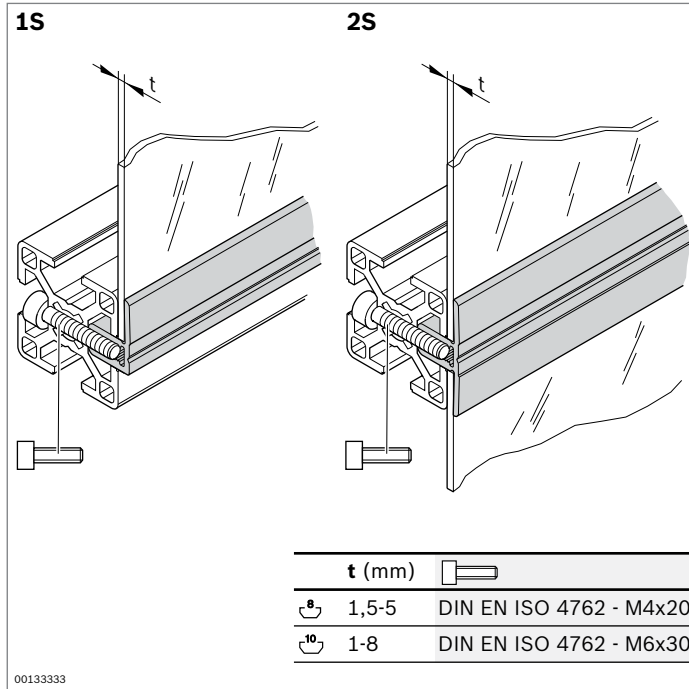
- ▶ For constructing manually height-adjustable frames
- ▶ Cutouts for holding surface elements
- ▶ Profile finishing: hole for screw

Required accessories:

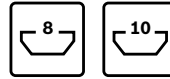
Fastening material



Rectangular tube		L (mm)	No.
1 pcs		50 ... 5600	<b>3 842 992 913 / L</b>
6 pcs		5600	<b>3 842 537 817</b>



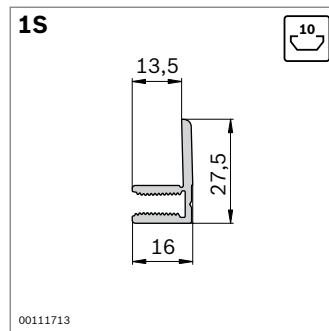
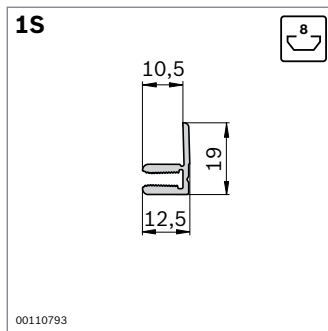
## Clamping profile



- ▶ For simple fastening of panes, surface elements or grilles on strut profiles
- ▶ For subsequent installation in closed frame constructions
- ▶ For surface elements of varying thicknesses
- ▶ Profile finishing: through-hole for mounting screw

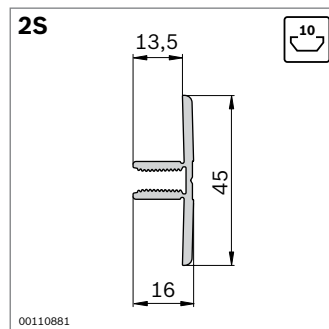
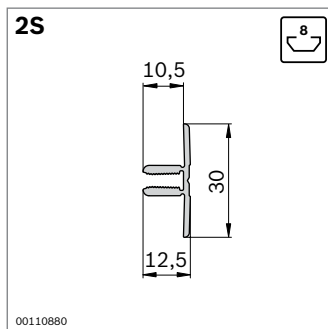
Required accessories:

- ▶ Cylinder head bolt DIN EN ISO 4762 – M4x20 (8 mm slot)
- ▶ Cylinder head bolt DIN EN ISO 4762 – M6x30 (10 mm slot)



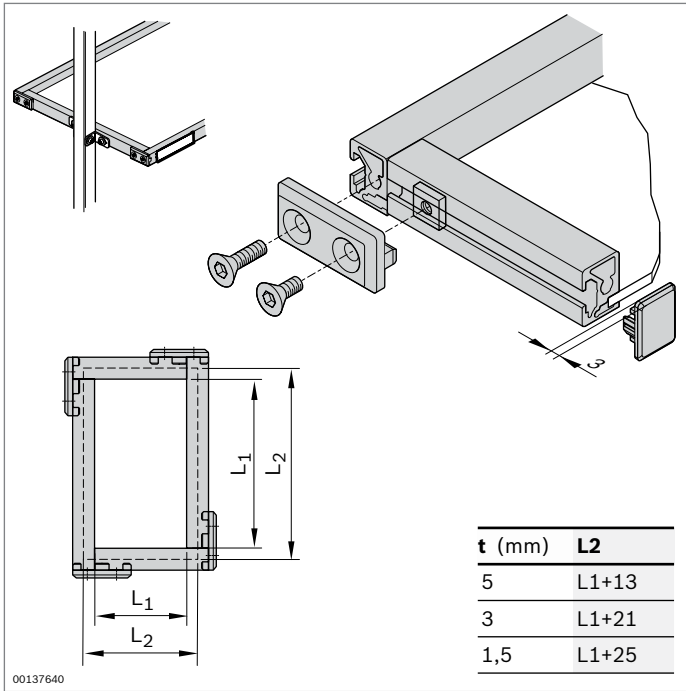
Clamping profile 1S		Groove	L (mm)	No.
1 pcs		8	50 ... 3000	<b>3 842 993 017 / L</b>
10 pcs		8	3000	<b>3 842 524 058</b>
1 pcs		10	50 ... 3000	<b>3 842 993 019 / L</b>
10 pcs		10	3000	<b>3 842 524 064</b>

Material: aluminum, anodized



Clamping profile 2S		Groove	L (mm)	No.
1 pcs		8	50 ... 3000	<b>3 842 993 018 / L</b>
10 pcs		8	3000	<b>3 842 524 061</b>
1 pcs		10	50 ... 3000	<b>3 842 993 020 / L</b>
10 pcs		10	3000	<b>3 842 524 067</b>

Material: aluminum, anodized



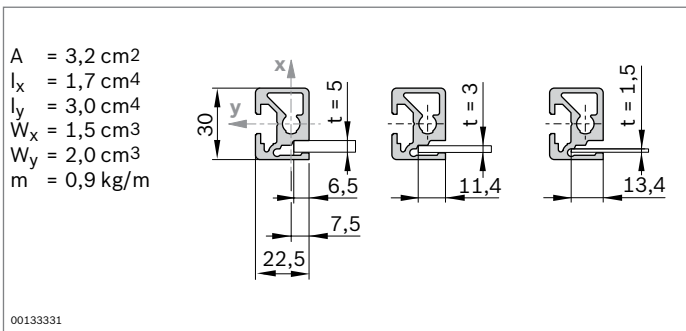
### Frame profile 22.5x30



- ▶ For inexpensive construction of trays and material shelves
- ▶ Surface elements are mounted under tension so that they do not rattle

Optional accessories:

- ▶ Bracket set M6 (p. 3-29)
- ▶ Swivel fastening (p. 4-10)
- ▶ Lettering clip for 8 mm slot (p. 2-86)
- ▶ Plate (p. 2-62)

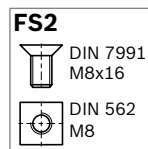
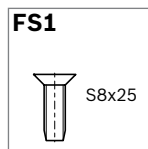
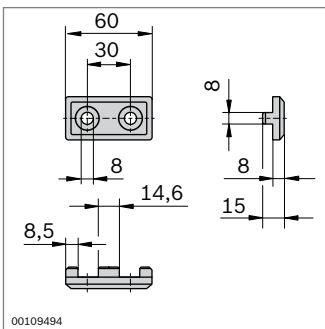


Frame profile 22.5x30	Groove	L (mm)	No.
1 pcs		8	50 ... 5600 <b>3 842 992 493 / L</b>
20 pcs		8	5600 <b>3 842 515 229</b>

Material: aluminum, anodized

Cover cap	Color	ESD	No.
<b>22.5x30</b>	Signal gray		20 <b>3 842 551 564</b>
<b>22.5x30</b>	Black		20 <b>3 842 551 565</b>

Material: PP



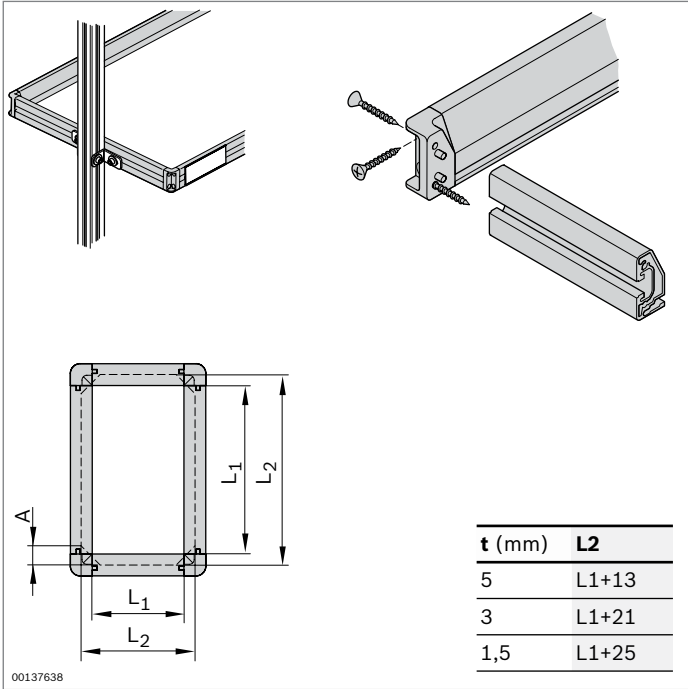
### Corner piece for frame profile 22.5x30

- ▶ For the right-angled connection of two 22.5x30 frame profiles
- ▶ Profile finishing not required

Corner piece	Color	ESD	No.	FS
<b>22.5x30</b>	Signal gray		20 <b>3 842 554 708</b>	FS1, FS2
<b>22.5x30</b>	Black		20 <b>3 842 554 709</b>	FS1, FS2

Material: PA

Scope of delivery: incl. fastening material (FS)



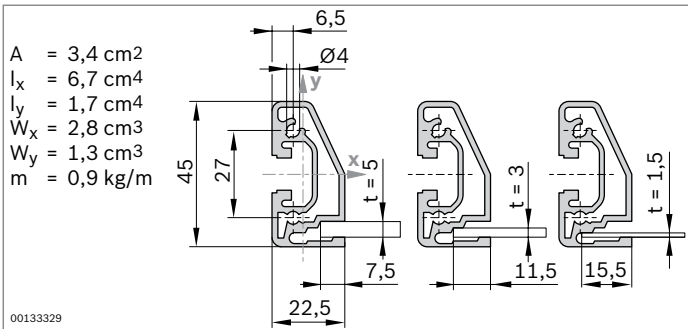
### Frame profile 22.5x45



- ▶ For inexpensive construction of trays and material shelves
- ▶ Surface elements are mounted under tension so that they do not rattle

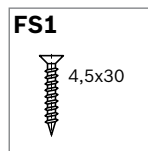
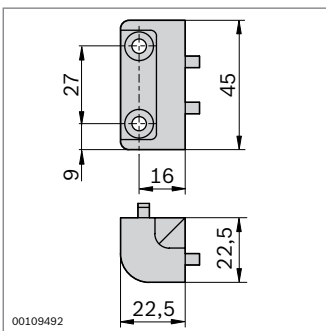
Optional accessories:

- ▶ Bracket set (p. 3-31)
- ▶ Swivel fastening (p. 4-10)
- ▶ Lettering clip for 10 mm slot (p. 2-86)
- ▶ Plate (p. 2-62)



Frame profile 22.5x45	Groove	L (mm)	No.
1 pcs	10	50 ... 5600	3 842 992 411 / L
20 pcs	10	5600	3 842 508 102

Material: aluminum, anodized



### Corner bracket for frame profile 22.5x45

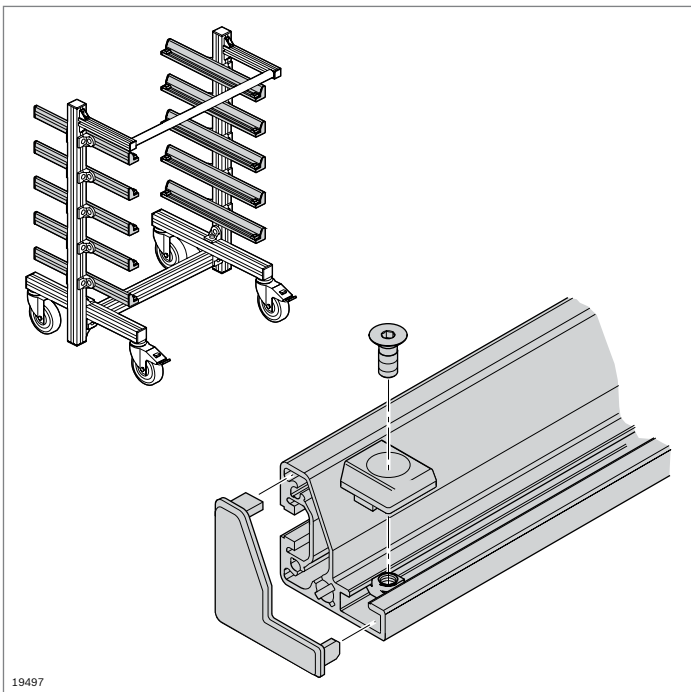
- ▶ For the right-angled connection of two 22.5x45 frame profiles
- ▶ Profile finishing not required

Corner bracket	ESD	No.	FS
22.5x45	20	3 842 535 637	4xFS1

Material: diecast zinc

Scope of delivery: incl. fastening material (FS)





19497

$A = 4,5 \text{ cm}^2$   
 $I_x = 8,8 \text{ cm}^4$   
 $I_y = 6,9 \text{ cm}^4$   
 $W_x = 3,2 \text{ cm}^3$   
 $W_y = 2,3 \text{ cm}^3$   
 $m = 1,2 \text{ kg/m}$

00125101

00125100

**FS1**

DIN7991  
M6x16

### Angle profile



- For supporting containers, plates, or workpiece pallets in flow racks, material shuttles, or hopper stackers

Accessories:  
Bracket R40x43 (p. 3-30)

Angle profile	L (mm)	No.
1 pcs	50 ... 5600	<b>3 842 992 412 / L</b>
20 pcs	5600	<b>3 842 508 104</b>

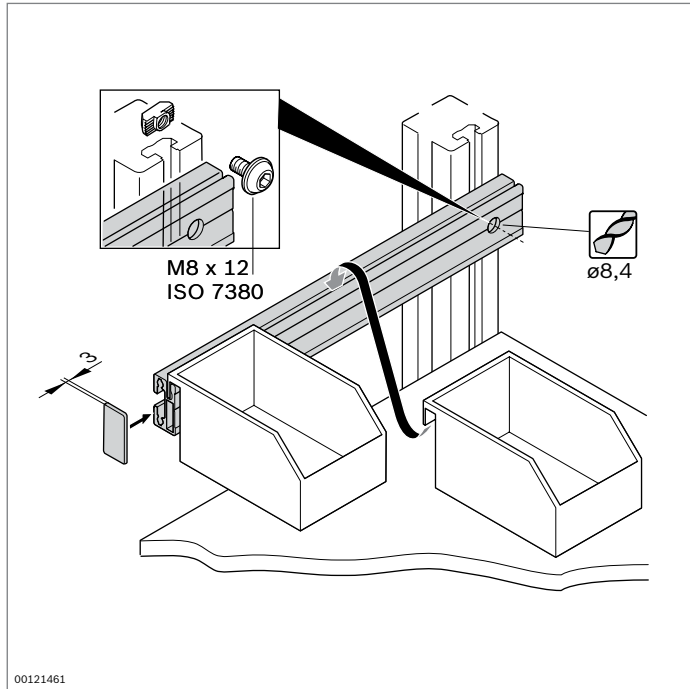
Material: aluminum, anodized

### Stopper and cover cap

- The stopper prevents containers from shifting on the angle profile
- Cover cap to prevent injuries at open profile ends
- Attractive design

Stopper, cover cap	Color	ESD	No.	FS
<b>Set</b>	Signal gray		20	<b>3 842 554 490</b> 2xFS1
<b>Set</b>	Black		20	<b>3 842 554 491</b> 2xFS1

Material: PA  
Fastening material: steel; galvanized  
Scope of delivery: incl. fastening material (FS)



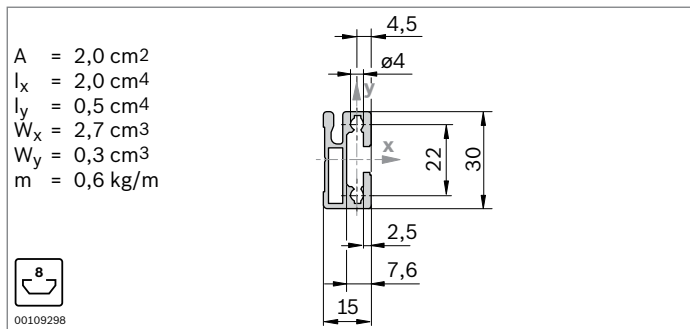
## Suspension profile



- ▶ For the fast, secure suspension of grab containers, grab ledges, grab trays, and tool holders
- ▶ Profile finishing: through-hole for screwdriver
- ▶ Matching grab containers in the Manual Production Systems catalog (**3 842 538 280**)

Required accessories:

- ▶ Screw
- ▶ T-nut (p. 3-4)

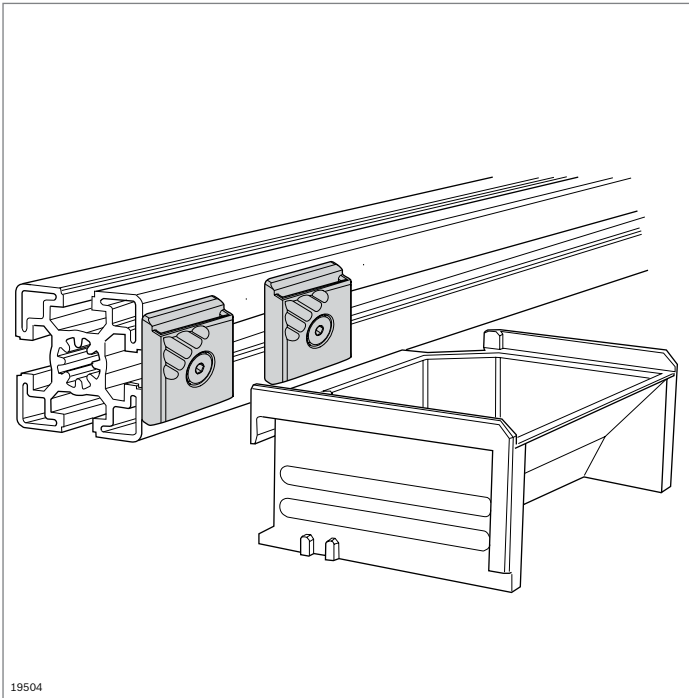


Suspension profile	L (mm)	ESD No.
1 pcs	50 ... 3000	<b>3 842 993 411 / L</b>
10 pcs	3000	<b>3 842 537 679</b>
1 pcs	50 ... 3000	<b>3 842 993 063 / L</b>
10 pcs	3000	<b>3 842 554 157</b>

Material: Suspension profile: aluminum, anodized  
ESD suspension profile: aluminum; natural

Cover cap	Color	ESD	No.
<b>15x30</b>	Signal gray	20	<b>3 842 551 582</b>
<b>15x30</b>	Black	20	<b>3 842 551 583</b>

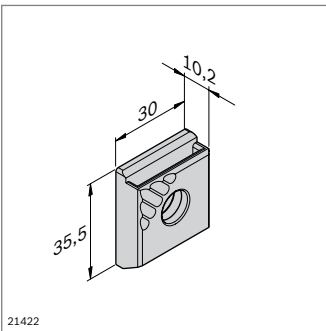
Material: PP



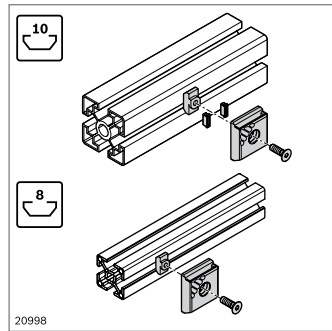
19504

### Container mount

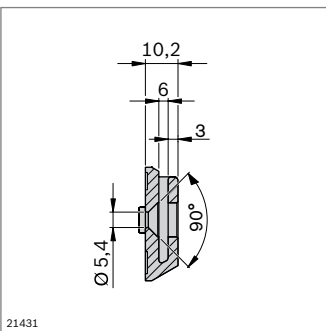
- ▶ Container mount for mounting tool holders, grab containers, grab trays, and grab ledges
- ▶ Suitable for 8 mm and 10 mm slots



21422



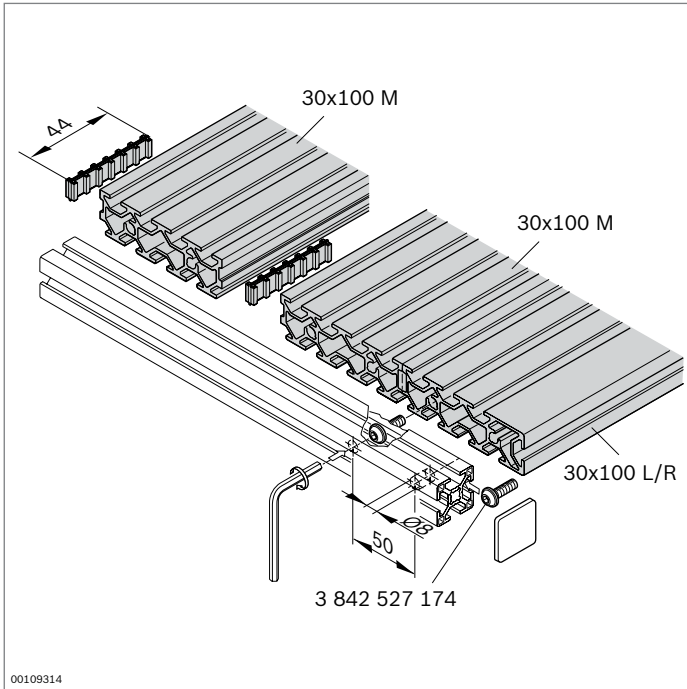
20998



21431

Container mount	ESD No.
10	3 842 544 797

Material: PA 66; black  
 Fastening material: steel; galvanized  
 Scope of delivery: incl. fastening material (FS)

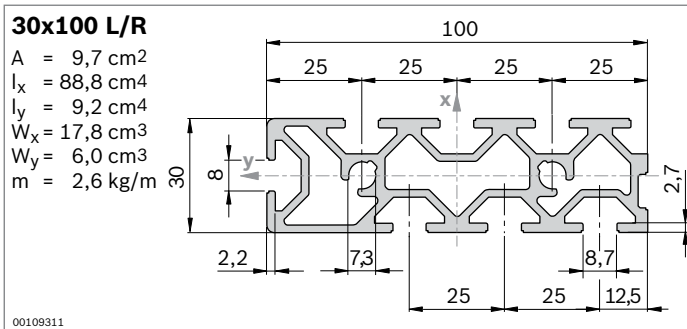


### Slotted plate 30x100

- ▶ Modular plate profiles with multiple slots for experimental constructions of any dimensions
- ▶ Slot spacing 25 mm
- ▶ Slot size 8.9 mm
- ▶ 8 mm slot connectors can be used

Optional accessories:

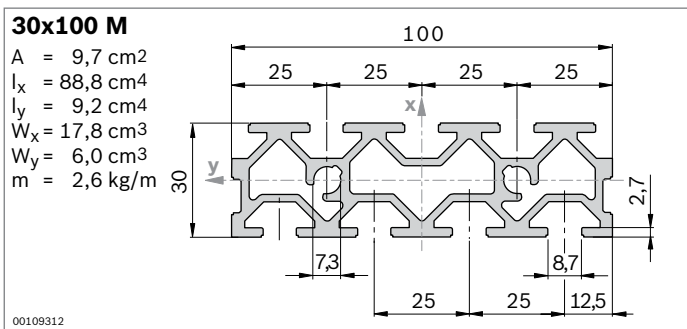
- ▶ Profile 30x30 (p. 2-17)
- ▶ Sliding block



- ▶ Slotted plate **30x100 L/R** with lateral 8 mm slot as outer stop

Grooved plate 30x100 L/R	Groove	L (mm)	No.
1 pcs	8	100 ... 5600	<b>3 842 993 337 / L</b>
18 pcs	8	5600	<b>3 842 542 696</b>

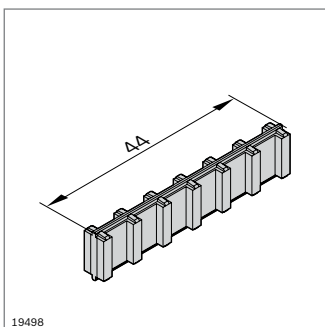
Material: aluminum, anodized



- ▶ Slotted plate **30x100 M** for constructing slotted plates of any width

Grooved plate 30x100 M	Groove	L (mm)	No.
1 pcs	8	100 ... 5600	<b>3 842 993 336 / L</b>
18 pcs	8	5600	<b>3 842 542 698</b>

Material: aluminum, anodized

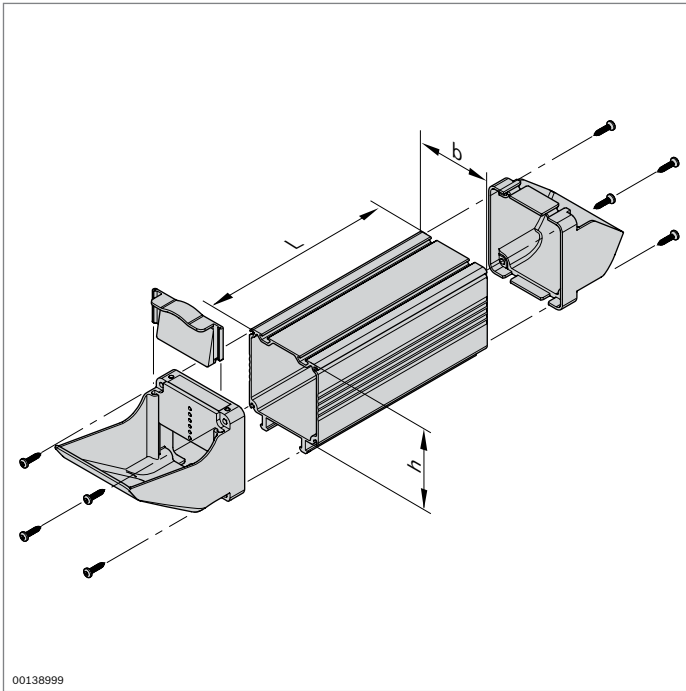


### Sliding block

- ▶ For connecting the 30x100 grooved plates
- ▶ Recommendation: use 3 sliding blocks per meter of profile length

Sliding block	No.
	100 <b>3 842 520 922</b>

Material: PA

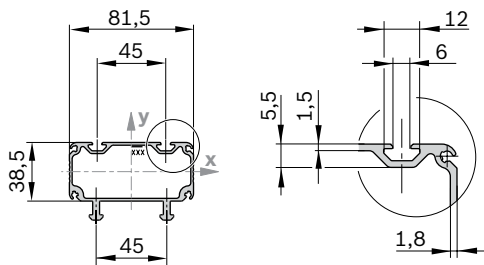


### Material chute refill end-piece, grab ledge, grab container base

- ▶ Small parts within easy reach at the workstation
- ▶ Components for the customized construction of stable Vario grab containers
- ▶ Customizable holding capacity

#### 90x45

A = 7,0 cm<sup>2</sup>  
I<sub>x</sub> = 20,7 cm<sup>4</sup>  
I<sub>y</sub> = 54,3 cm<sup>4</sup>  
m = 1,8 kg/m



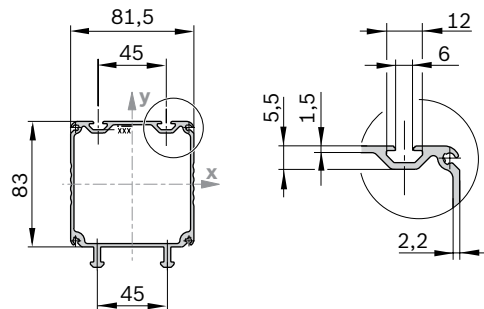
19908

Material chute 90x45		L (mm)	No.
1 pcs		50 ... 3000	<b>3 842 993 071 / L</b>
3 pcs		3000	<b>3 842 526 671</b>

Material: aluminum, anodized

#### 90x90

A = 9,6 cm<sup>2</sup>  
I<sub>x</sub> = 118,8 cm<sup>4</sup>  
I<sub>y</sub> = 88,1 cm<sup>4</sup>  
m = 2,5 kg/m



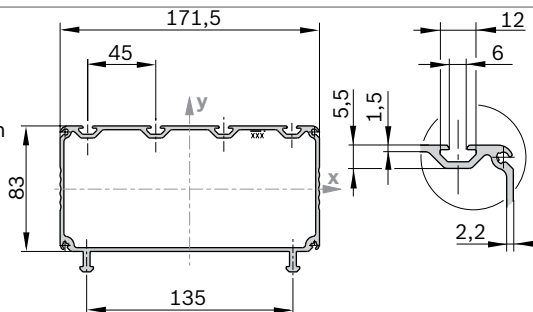
19599

Material chute 90x90		L (mm)	No.
1 pcs		50 ... 3000	<b>3 842 993 072 / L</b>
3 pcs		3000	<b>3 842 526 672</b>

Material: aluminum, anodized

#### 180x90

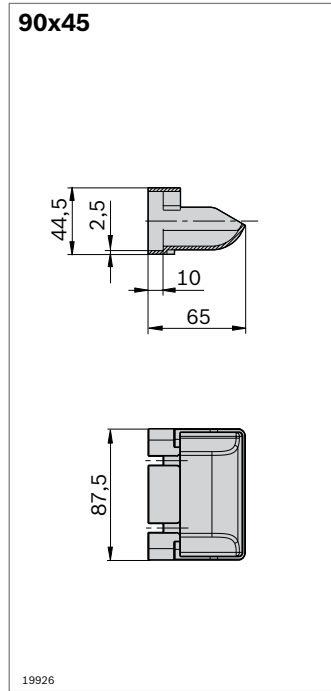
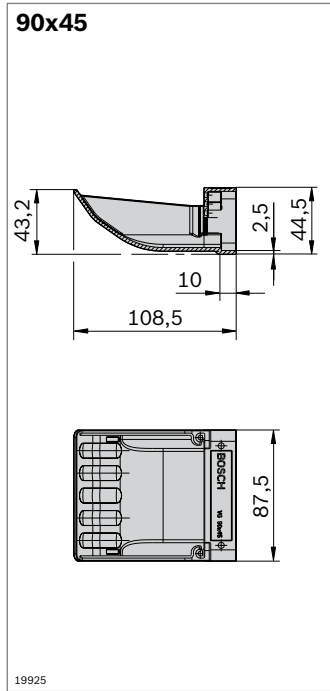
A = 15,5 cm<sup>2</sup>  
I<sub>x</sub> = 208,2 cm<sup>4</sup>  
I<sub>y</sub> = 597,5 cm<sup>4</sup>  
m = 4,2 kg/m



19909

Material chute 180x90		L (mm)	No.
1 pcs		50 ... 3000	<b>3 842 993 073 / L</b>
3 pcs		3000	<b>3 842 526 673</b>

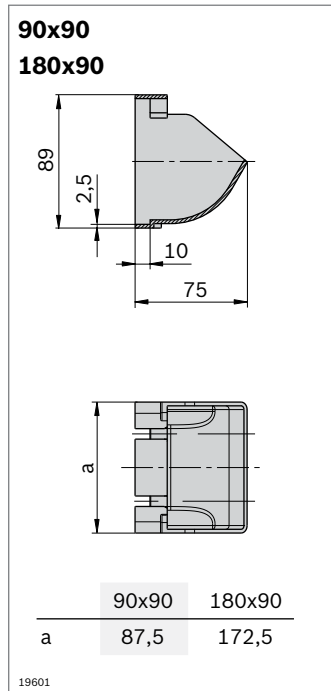
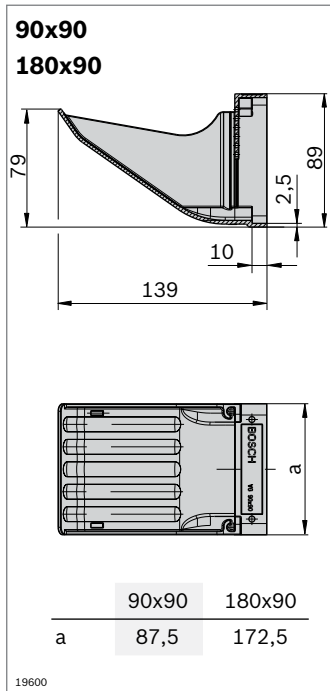
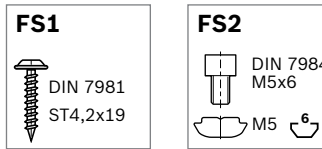
Material: aluminum, anodized



- ▶ Refill end-piece with large opening for easy filling
- ▶ Ergonomically designed grab ledge for easy, safe grabbing
- ▶ Slider for closing the grab container

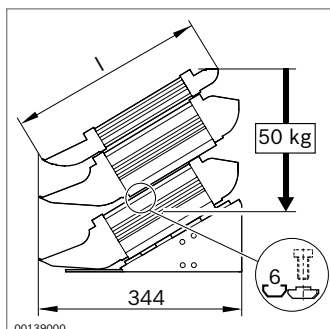
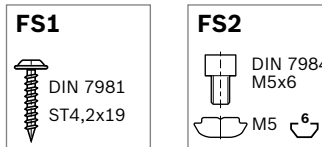
Grab ledge and refill end-piece	No.	FS
<b>90 x 45</b>	<b>3 842 526 626</b>	8xFS1, FS2

Material: plastic ABS, light gray RAL 7035  
 Fastening material: steel; galvanized  
 Scope of delivery: incl. fastening material (FS)



Grab ledge and refill end-piece	No.	FS
<b>90 x 90</b>	<b>3 842 526 627</b>	8xFS1, FS2
<b>180 x 90</b>	<b>3 842 526 628</b>	8xFS1, FS2

Material: plastic ABS, light gray RAL 7035  
 Fastening material: steel; galvanized  
 Scope of delivery: incl. fastening material (FS)

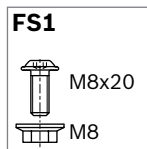
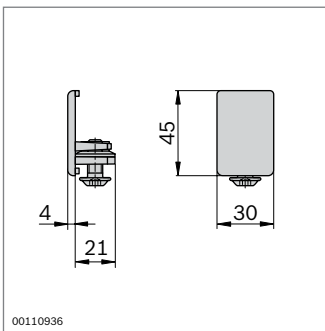
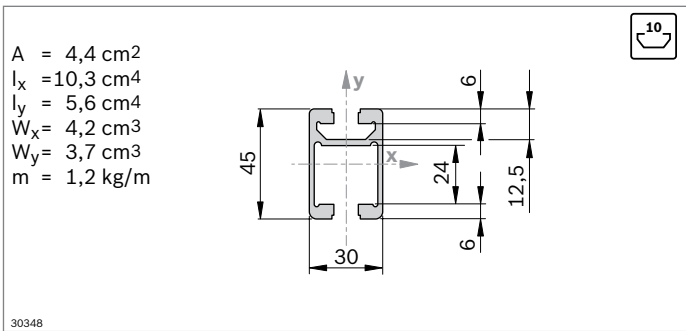
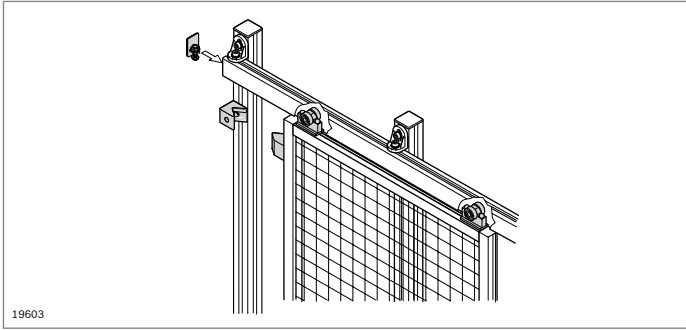


- ▶ Grab container base for an ergonomically optimized arrangement of the grab containers

Grab container base	w x h x l (mm)	No.
<b>SG 90</b>	90 x 149 x 315	<b>3 842 526 660</b>
<b>SG 180</b>	180 x 149 x 315	<b>3 842 526 665</b>

Material: sheet steel, light gray powder coating (RAL 7035)





### Profile rail, trolley

- ▶ Profile rail and trolley for movable mounting of parts, e.g. for use as a screwdriver hanger at work tables or for EcoSafe sliding doors (p. 10-14)

Accessories:  
See page 12-4

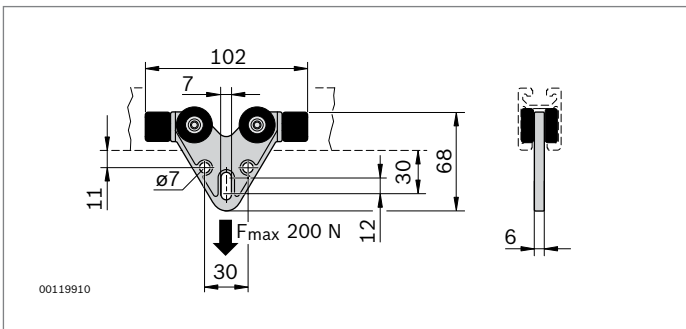
Profile rail 30x45C		L (mm)	No.
1 pcs		50 ... 5600	<b>3 842 992 946 / L</b>
20 pcs		5600	<b>3 842 523 598</b>

Material: aluminum, anodized

- ▶ Profile rail end piece for use for trolley as a cover cap with stop
- ▶ With screw protection

End piece	Color	ESD	No.	FS
<b>30x45C</b>	Signal gray		20	<b>3 842 554 710</b> FS1
	Black		20	<b>3 842 554 711</b> FS1

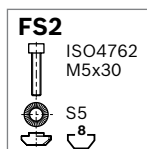
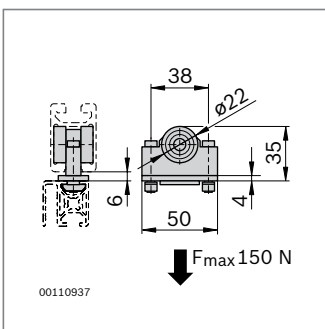
Material: End piece: PA  
Fastening material: steel; galvanized  
Scope of delivery: incl. fastening material (FS)



- ▶ Trolley with ring, e.g. for suspending a spring hook

Trolley for profile rail 30x45C	No.
	<b>3 842 521 510</b>

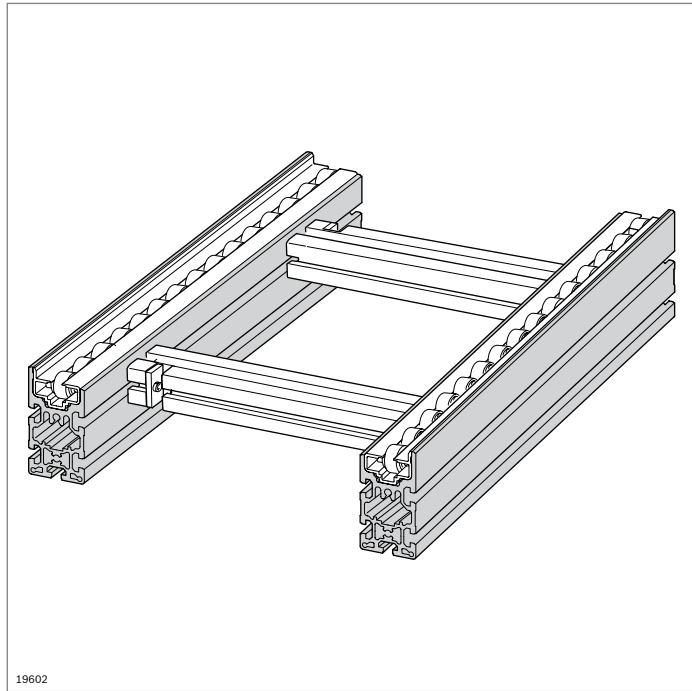
Material: injection molded plastic



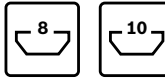
- ▶ Trolley with dust-proof ball bearings for smooth sliding motion
- ▶ For fastening profiles with a 8 mm slot

Trolley	No.	FS
	<b>3 842 524 153</b>	2xFS2

Material: PA, black / steel, galvanized  
Fastening material: steel; galvanized  
Scope of delivery: incl. fastening material (FS)



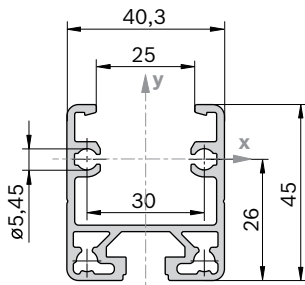
### Profiles for installing conveyor media



- Profiles which are normally used to construct TS 2plus and TS 4 transfer systems and lean conveyor tracks are also suitable for the construction of manual conveyor sections. Detailed information can be found in chapter 12 “Elements for manual movement” and in the respective special catalogs

#### U-profile

$A = 4,4 \text{ cm}^2$   
 $I_x = 10,4 \text{ cm}^4$   
 $I_y = 8,3 \text{ cm}^4$   
 $W_x = 4,6 \text{ cm}^3$   
 $W_y = 4,1 \text{ cm}^3$   
 $m = 1,2 \text{ kg/m}$



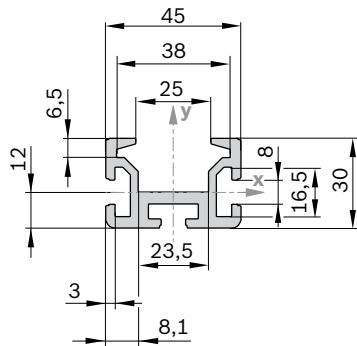
19902

U-profile	Groove	L (mm)	ESD No.
1 pcs	10	50 ... 6000	<b>3 842 993 316 / L</b>
20 pcs	10	6070	<b>3 842 535 115</b>
1 pcs	10	50 ... 6000	<b>3 842 995 027 / L</b>
20 pcs	10	6070	<b>3 842 541 814</b>

Material: U-profile: aluminum, anodized  
 U-profile ESD: aluminum, untreated

#### SP 2/R

$A = 5,2 \text{ cm}^2$   
 $I_x = 4,3 \text{ cm}^4$   
 $I_y = 11,7 \text{ cm}^4$   
 $W_x = 2,4 \text{ cm}^3$   
 $W_y = 5,2 \text{ cm}^3$   
 $m = 1,4 \text{ kg/m}$



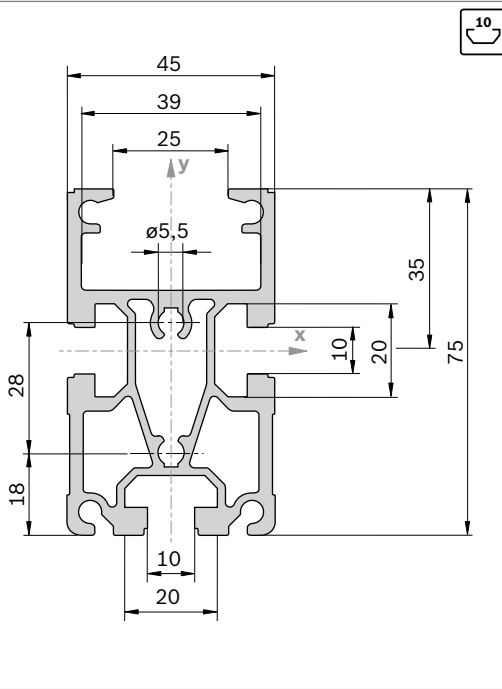
19893

Section profile SP 2/R	L (mm)	No.
	50 ... 6000	<b>3 842 992 676</b>

Material: aluminum, natural-colored, anodized

**SP 2/B**

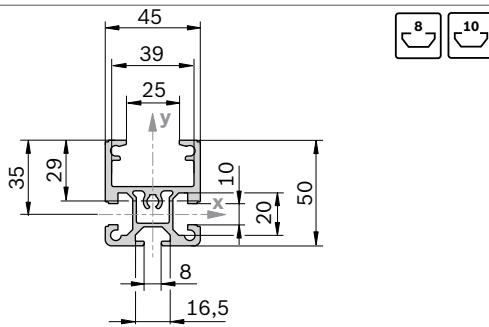
A = 10,4 cm<sup>2</sup>  
 I<sub>x</sub> = 49,6 cm<sup>4</sup>  
 I<sub>y</sub> = 25,8 cm<sup>4</sup>  
 W<sub>x</sub> = 12,1 cm<sup>3</sup>  
 W<sub>y</sub> = 11,5 cm<sup>3</sup>  
 m = 2,8 kg/m



19903

**SP 2/B-50**

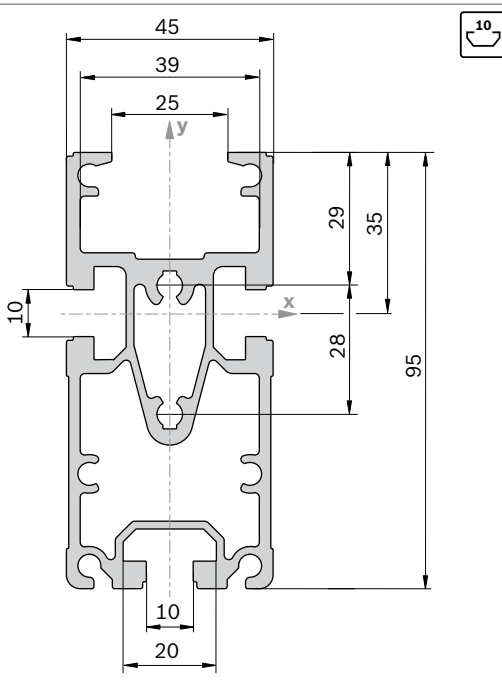
A = 6,9 cm<sup>2</sup>  
 I<sub>x</sub> = 16,1 cm<sup>4</sup>  
 I<sub>y</sub> = 16,9 cm<sup>4</sup>  
 W<sub>x</sub> = 5,3 cm<sup>3</sup>  
 W<sub>y</sub> = 7,5 cm<sup>3</sup>  
 m = 1,9 kg/m



19904

**SP 2/B-100**

A = 11,9 cm<sup>2</sup>  
 I<sub>x</sub> = 95,1 cm<sup>4</sup>  
 I<sub>y</sub> = 30,4 cm<sup>4</sup>  
 W<sub>x</sub> = 20,0 cm<sup>3</sup>  
 W<sub>y</sub> = 13,5 cm<sup>3</sup>  
 m = 3,2 kg/m



19905

Section profile SP 2/B	Groove	L (mm)	No.
1 pcs		10	200 ... 6000 <b>3 842 992 884 / L</b>
16 pcs		10	6070 <b>3 842 532 695</b>

Material: aluminum, natural-colored, anodized

2

Section profile SP 2/B-50	Groove	L (mm)	No.
1 pcs		8 / 10	200...6000 <b>3 842 992 903 / L</b>
20 pcs		8 / 10	6070 <b>3 842 532 697</b>

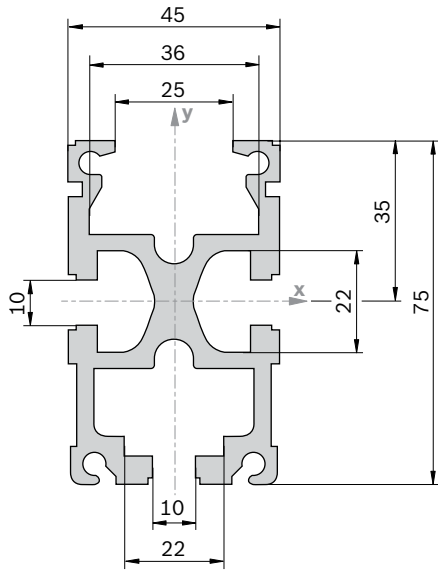
Material: aluminum, natural-colored, anodized

Section profile SP 2/B-100	Groove	L (mm)	No.
1 pcs		10	200...6000 <b>3 842 993 259 / L</b>
16 pcs		10	6070 <b>3 842 532 608</b>

Material: aluminum, natural-colored, anodized

**SP 2/BH**

A = 12,4 cm<sup>2</sup>  
 $I_x = 53,7 \text{ cm}^4$   
 $I_y = 28,6 \text{ cm}^4$   
 $W_x = 14,0 \text{ cm}^3$   
 $W_y = 13,8 \text{ cm}^3$   
 m = 3,3 kg/m



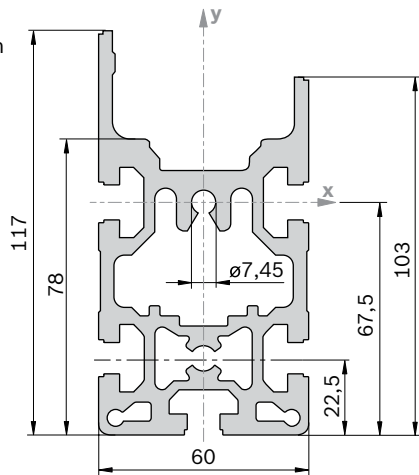
19906

Section profile SP 2/BH	Groove	L (mm)	No.
1 pcs	10	200 ... 6000	<b>3 842 990 409 / L</b>
16 pcs	10	6070	<b>3 842 532 696</b>

Material: aluminum, natural-colored, anodized

**SP 4/R**

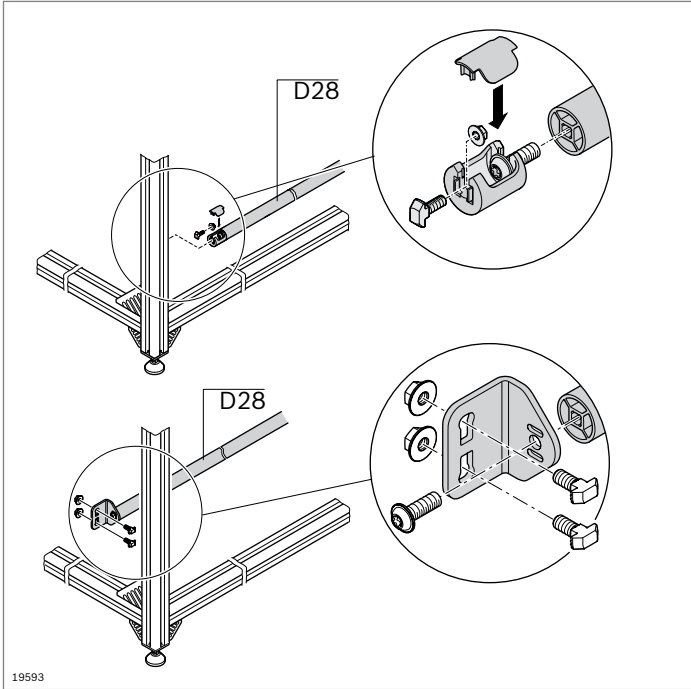
A = 26,1 cm<sup>2</sup>  
 $I_x = 222,0 \text{ cm}^4$   
 $I_y = 95,5 \text{ cm}^4$   
 $W_x = 84,9 \text{ cm}^3$   
 $W_y = 16,4 \text{ cm}^3$   
 m = 3,5 kg/m



19907

Section profile SP 4/R	Groove	L (mm)	No.
10 pcs	10	6000	<b>3 842 532 505</b>

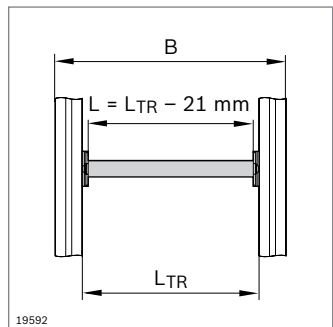
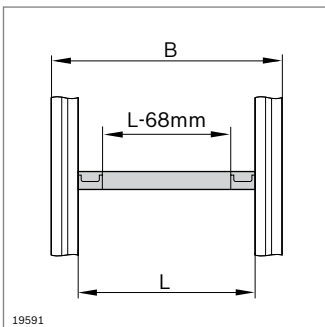
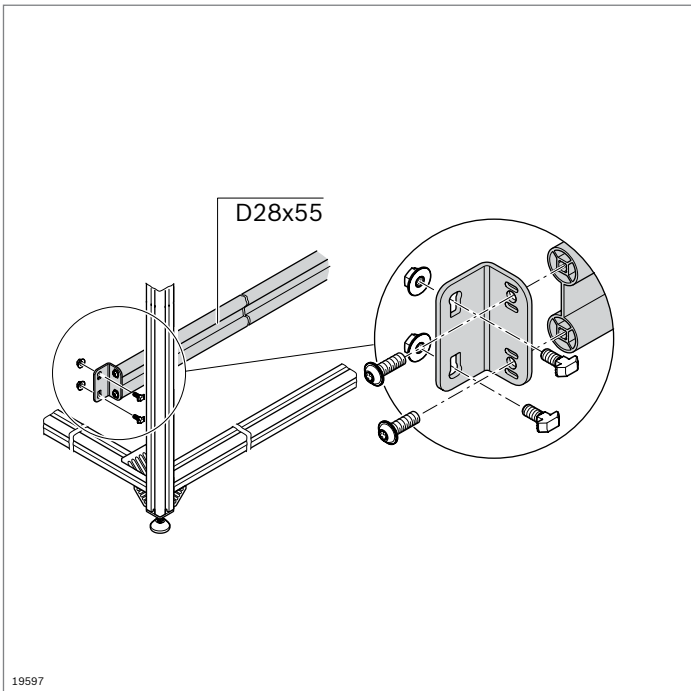
Material: aluminum, natural-colored, anodized



### Round tube D28, strut profile D28x55 bracket, T-connector

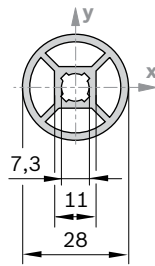


- ▶ For constructing cross-ties in flow racks or workstations
- ▶ Suitable for heavy loads
- ▶ Use of fastening brackets makes for easy assembly
- ▶ Elongated hole in the mounting bracket for length adjustment
- ▶ Central holes can be used for self-tapping screws S8x25 (p. 3-40)
- ▶ For suitable components for constructing conveyor tracks, see chapter 12 “Elements for manual movement”



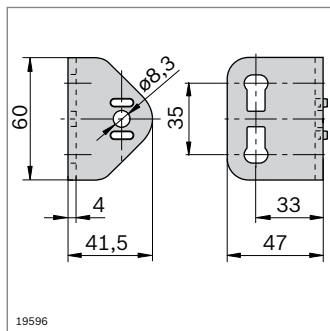
**D28**

A = 2,4 cm<sup>2</sup>  
 $I_x = 1,5 \text{ cm}^4$   
 $I_y = 1,5 \text{ cm}^4$   
 $W_x = 1,1 \text{ cm}^3$   
 $W_y = 1,1 \text{ cm}^3$   
 m = 0,7 kg/m

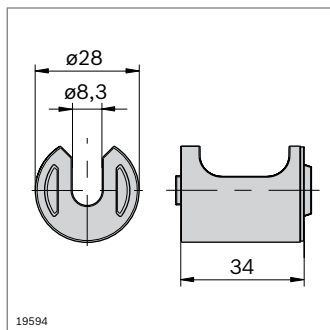
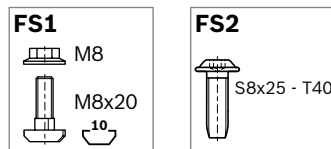


19505

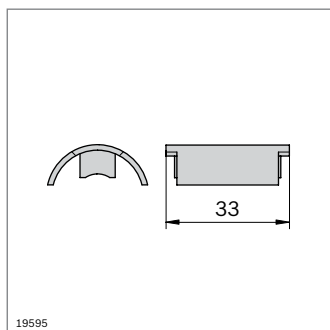
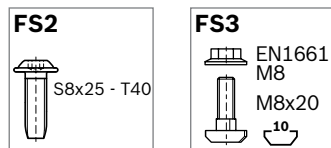
Cover cap D28	Color	ESD	No.
	Gray		20 <b>3 842 537 718</b>
	Black		20 <b>3 842 535 835</b>



19596



19594



19595

Round tube D28	L (mm)	No.
1 pcs	50 ... 6000	<b>3 842 993 317 / L</b>
20 pcs	6070	<b>3 842 535 118</b>

Material: aluminum, anodized  
 Optional accessories: lettering clip (p. 2-86)

**Holding bracket for round tube D28**

- ▶ For mounting a round tube D28 to a strut profile with a 10 mm slot
- ▶ Extremely simple mounting thanks to easy adjustment of the installation height

Bracket 60x47x4	No.	FS
	20 <b>3 842 536 002</b>	2xFS1, FS2

Material: steel; galvanized  
 Scope of delivery: incl. fastening material (FS)

**T-connector for round tube D28**

- ▶ For fixing a round tube D28 to a strut profile with a 10 mm slot
- ▶ Without obtruding parts

T-connector D28	No.	FS
	20 <b>3 842 532 879</b>	FS2, FS3

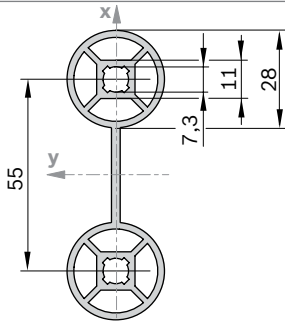
Material: T-connector: Die-cast aluminum  
 Cover cap: ABS; black  
 Scope of delivery: incl. cover cap, fastening material (FS)

Cover cap D28	No.
	20 <b>3 842 532 878</b>

Material: ABS; black

**D28x55**

A = 5,9 cm<sup>2</sup>  
 I<sub>x</sub> = 3,2 cm<sup>4</sup>  
 I<sub>y</sub> = 88,3 cm<sup>4</sup>  
 W<sub>x</sub> = 2,3 cm<sup>3</sup>  
 W<sub>y</sub> = 23,1 cm<sup>3</sup>  
 m = 1,6 kg/m



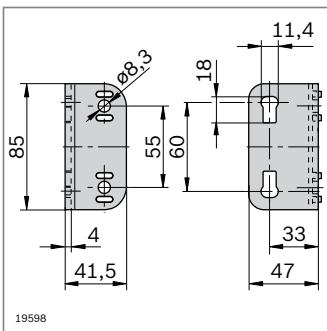
19468

Strut profile D28x55		L (mm)	No.
1 pcs		100...6000	<b>3 842 993 489 / L</b>
20 pcs		6070	<b>3 842 537 477</b>

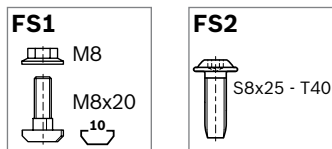
Material: aluminum, anodized  
 Optional accessories: lettering clip (p. 2-86)

2

Cover cap D28	Color	ESD		No.
(2x)	Gray		20	<b>3 842 537 718</b>
(2x)	Black		20	<b>3 842 535 835</b>



19598



**Bracket 85x47x4**

- For fastening a D28x55 strut profile to a strut profile with a 10 mm slot
- Really simple assembly thanks to easy adjustment of the installation height

Bracket 85x47x4		No.	FS
20		<b>3 842 536 730</b>	2xFS1, 2xFS2

Material: steel; galvanized  
 Scope of delivery: incl. fastening material (FS)



## EcoShape tubular framing system



- ▶ All connectors can be combined with the EcoShape round tubes D28L and D28L, N10, and the D28 round tube
- ▶ Integrated poka-yoke system for easy and secure connector installation
  - Anti-torsion element for secure joints
  - Positive interlocking connection
- ▶ All connectors are suitable for setting up ESD-conductive systems.

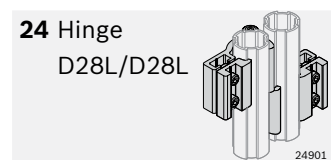
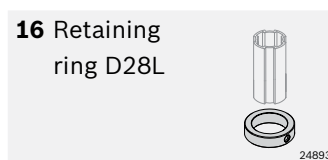
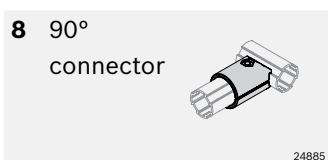
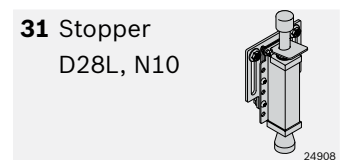
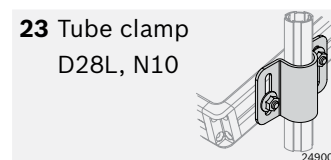
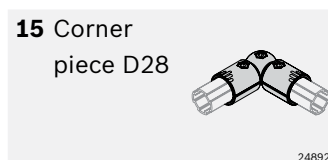
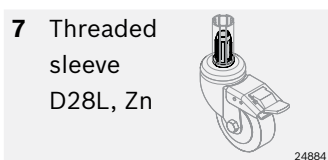
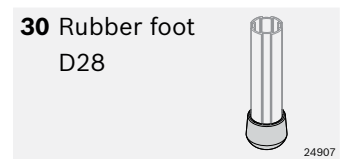
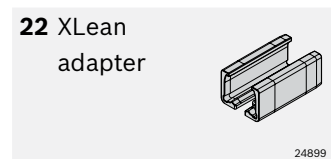
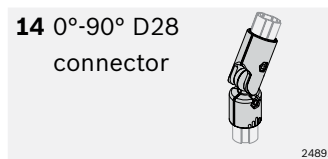
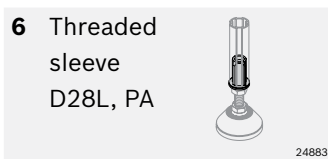
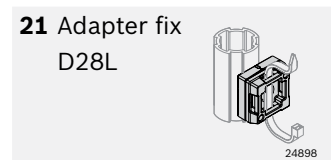
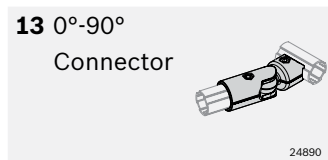
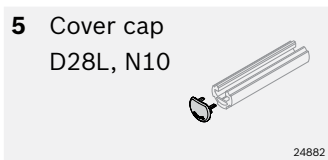
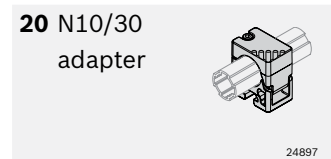
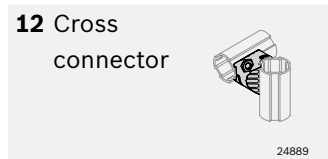
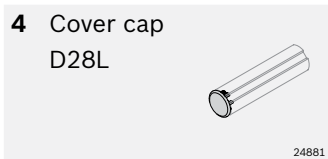
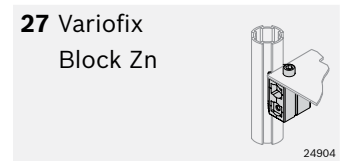
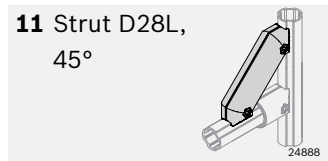
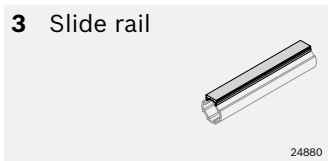
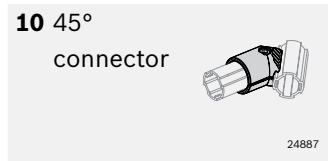
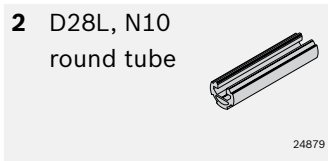
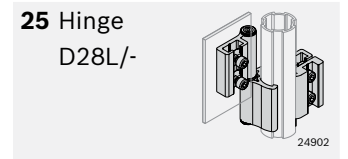
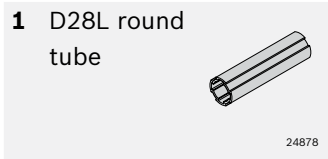
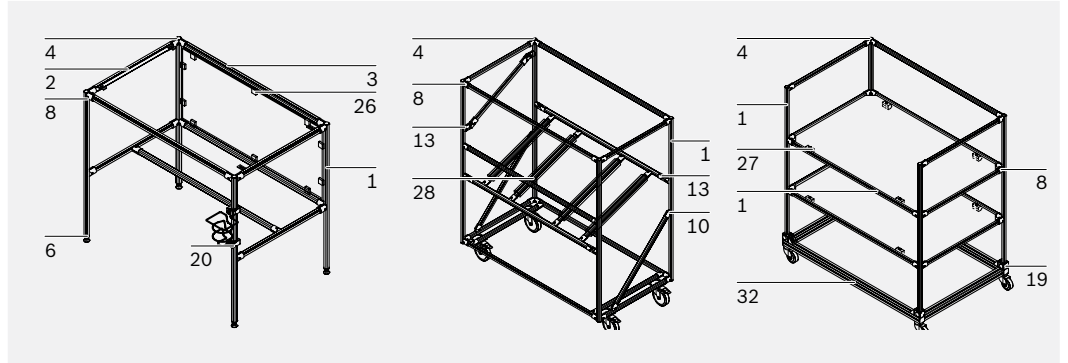
Material: diecast zinc

Scope of delivery: Incl. fastening material



**31 components – a myriad of options**

The EcoShape system is characterized by its consistent simplicity and efficiency: using just a few components, you can build complete assembly lines as well as simple transport shuttles.



**1**

$A = 1,8 \text{ cm}^2$   
 $I_x = 1,3 \text{ cm}^4$   
 $I_y = 1,3 \text{ cm}^4$   
 $W_x = 1,0 \text{ cm}^3$   
 $W_y = 1,0 \text{ cm}^3$   
 $m = 0,5 \text{ kg/m}$

00134985

- ▶ Round tube D28L with 4 interfaces for attaching EcoShape connectors

Round tube D28L		L (mm)	No.
1 pcs		50 ... 5600	<b>3 842 996 191/L</b>
50 pcs		5600	<b>3 842 541 211</b>

Material: aluminum, anodized

**2**

$A = 2,6 \text{ cm}^2$   
 $I_x = 1,2 \text{ cm}^4$   
 $I_y = 2,0 \text{ cm}^4$   
 $W_x = 0,8 \text{ cm}^3$   
 $W_y = 1,4 \text{ cm}^3$   
 $m = 0,7 \text{ kg/m}$

00134986

- ▶ Round tube D28L, N10 with 10 mm slot for mounting accessories from the modular aluminum framing system
- ▶ 3 interfaces for attaching EcoShape connectors

Round tube D28L, N10		L (mm)	No.
1 pcs		50 ... 5600	<b>3 842 996 192/L</b>
20 pcs		5600	<b>3 842 541 213</b>

Material: aluminum, anodized

**3**

00134987

- ▶ Slide rail for creating a simple conveyor track or manual slide section by clipping the slide rail onto the round tube D28L or D28L, N10

Slide rail	L (mm)	ESD		No.
	2000	10		<b>3 842 541 196</b>
	2000		10	<b>3 842 548 117</b>

Material: PVC; gray  
ESD: PVC (conductive); black

**4**

24132

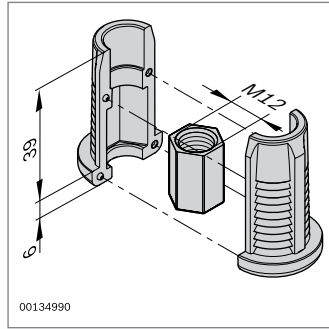
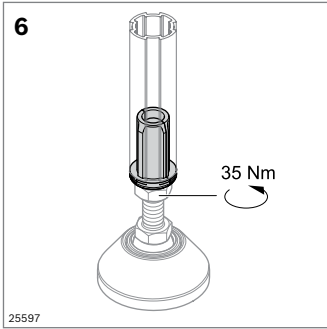
**5**

24133

- ▶ Cover cap for D28L and D28L round tube, N10

Cover cap	ESD		No.
<b>4 D28L</b>		20	<b>3 842 548 129</b>
<b>5 D28L, N10</b>		20	<b>3 842 548 130</b>

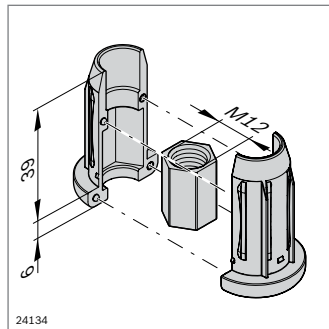
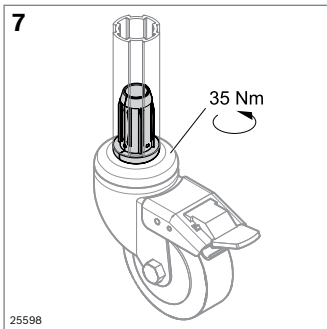
Material: PA66 (conductive); black



► Threaded sleeve for incorporating a leveling foot or caster. For further information (see p. 6-7)

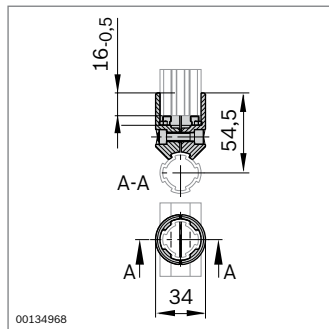
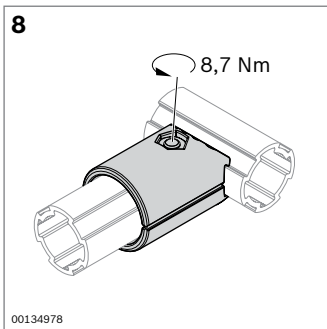
Threaded sleeve D28L; PA	ESD	No.
	20	3 842 541 185

Material: PA66 (conductive); black  
Hexagon nut: aluminum



Threaded sleeve D28L, Zn	ESD	No.
	20	3 842 548 119

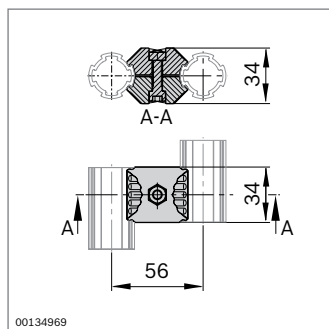
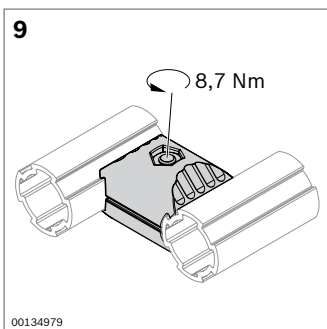
Material: diecast zinc  
Hexagon nut: aluminum



90° connector	ESD	No.	FS
	20	3 842 541 173	FS1

Material: diecast zinc  
Scope of delivery: incl. fastening material (FS)

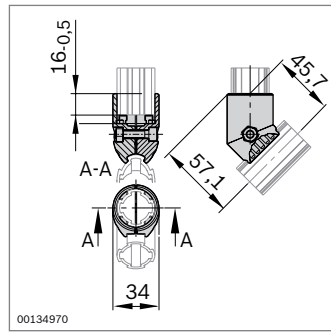
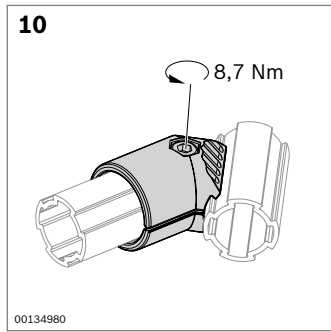
**FS1**  
ISO 4762  
M6x25  
DIN EN  
ISO 10511  
M6



Parallel connector	ESD	No.	FS
	20	3 842 541 183	FS1

Material: diecast zinc  
Scope of delivery: incl. fastening material (FS)

**FS1**  
ISO 4762  
M6x25  
DIN EN  
ISO 10511  
M6

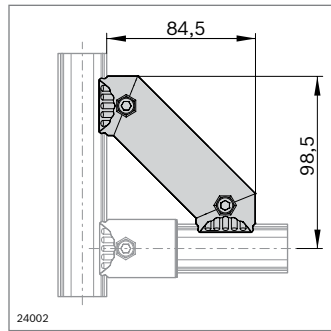
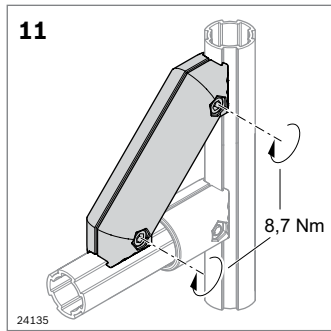


45° connector	ESD	No.	FS
		20	3 842 541 175 FS1

Material: diecast zinc  
 Scope of delivery: incl. fastening material (FS)

**FS1**

	ISO 4762
	M6x25
	DIN EN
	ISO 10511
	M6

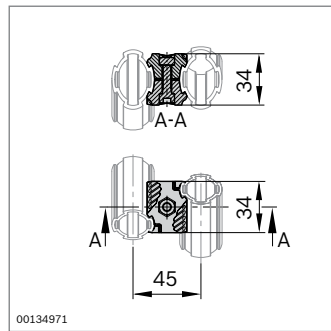
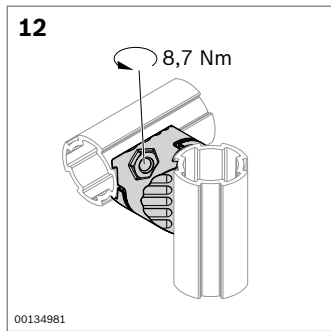


Strut D28L, 45°	ESD	No.	FS
		20	3 842 548 118 2xFS1

Material: diecast zinc  
 Scope of delivery: incl. fastening material (FS)

**FS1**

	ISO 4762
	M6x25
	DIN EN
	ISO 10511
	M6

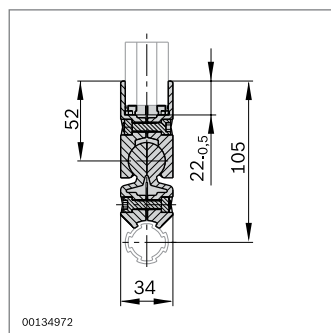
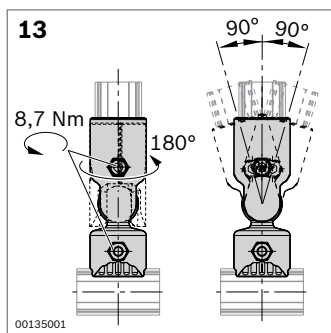


Cross connector	ESD	No.	FS
		20	3 842 541 181 FS1

Material: diecast zinc  
 Scope of delivery: incl. fastening material (FS)

**FS1**

	ISO 4762
	M6x25
	DIN EN
	ISO 10511
	M6

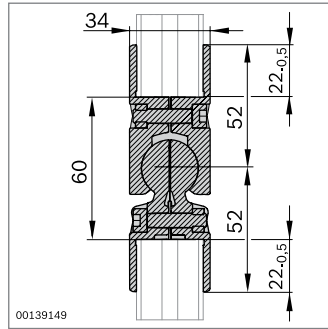
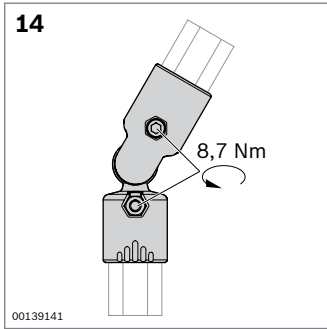


0°-90° connector	ESD	No.	FS
		20	3 842 541 178 2xFS1

Material: diecast zinc  
 Scope of delivery: incl. fastening material (FS)

**FS1**

	ISO 4762
	M6x25
	DIN EN
	ISO 10511
	M6

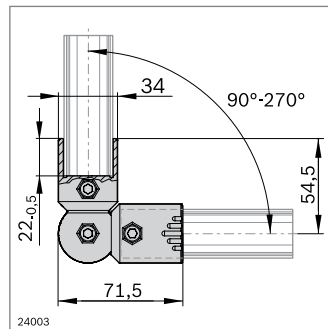
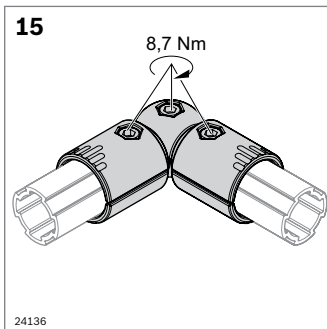


0°-90° D28 connector	ESD	No.	FS
	20	3 842 543 480	2xFS1

Material: diecast zinc  
 Scope of delivery: incl. fastening material (FS)

**FS1**

ISO 4762	M6x25
DIN EN	ISO 10511
M6	



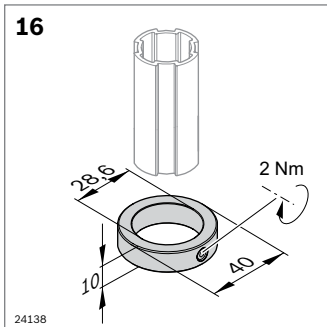
- ▶ Corner bracket D28 for easy adjustment within a 15° range
- ▶ Swivel range: 90°-270°

Corner piece D28	ESD	No.	FS
	20	3 842 548 123	3xFS1

Material: diecast zinc  
 Scope of delivery: incl. fastening material (FS)

**FS1**

ISO 4762	M6x25
DIN EN	ISO 10511
M6	

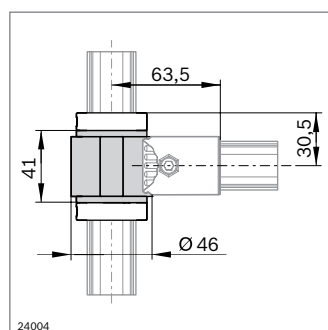
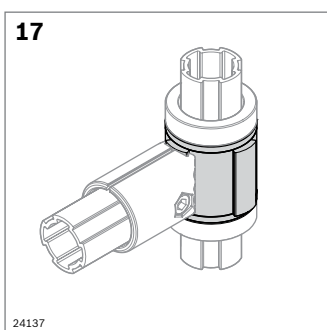


Retaining ring D28L	ESD	No.	FS
	20	3 842 548 122	FS2

Material: aluminum  
 Scope of delivery: incl. fastening material (FS)

**FS2**

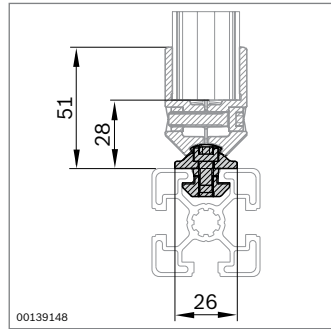
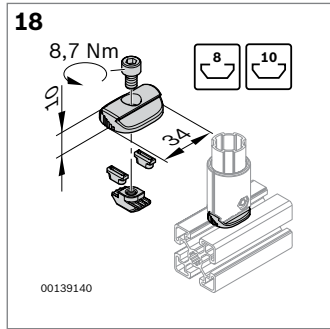
ISO 4026	M6x6
----------	------



- ▶ For axial shifting along the D28L or D28L, N10 round tube; the retaining ring defines the end position.
- ▶ Construction of swiveling applications

Swivel bearing D28L	No.
20	3 842 548 121

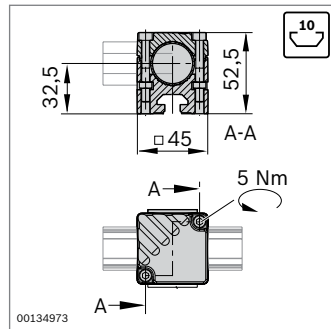
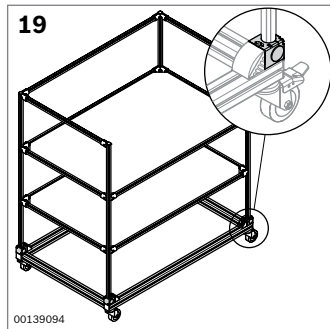
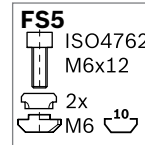
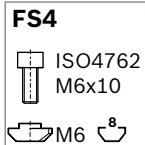
Material: aluminum,  
 Socket: POM; black



- ▶ N8, N10 adapter for connecting an MGE strut profile (8 mm, 10 mm slots)

N8, N10 adapter	ESD	No.	FS
	20	3 842 543 272	FS4, FS5

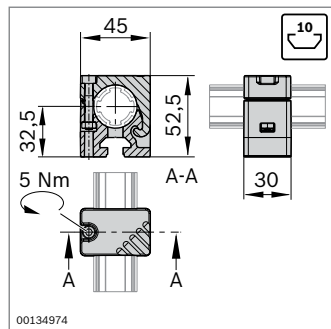
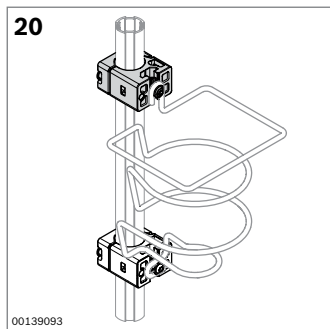
Material: diecast zinc  
 Scope of delivery: incl. fastening material (FS)



- ▶ N10/45 adapter for connecting D28L or D28L, N10 round tubes to profiles with a 10 mm slot

N10/45 adapter	ESD	No.	FS
	20	3 842 541 187	2xFS3

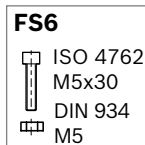
Material: Adapter: Diecast zinc  
 Cap: PE  
 Scope of delivery: incl. cover cap, fastening material (FS)



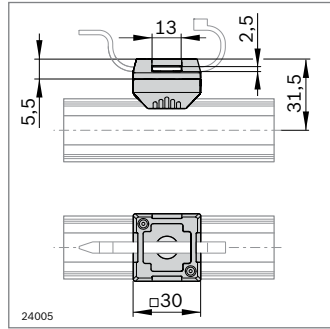
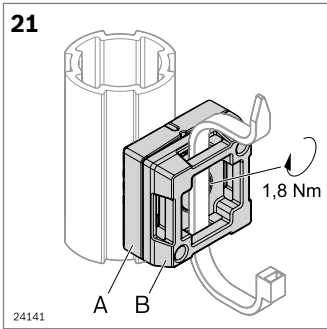
- ▶ N10/30 adapter for fastening light accessories such as a bottle holder to the D28L round tube

N10/30 adapter	ESD	No.	FS
	20	3 842 541 190	FS6

Material: diecast zinc  
 Scope of delivery: incl. fastening material (FS)



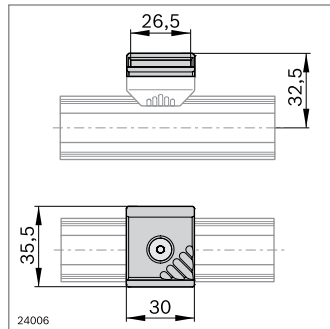
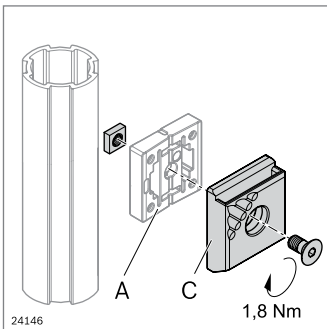
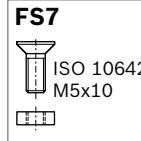




► For attaching cable ties

Adapter fix D28L	ESD	No.	FS
A + B		20 3 842 548 120	FS7

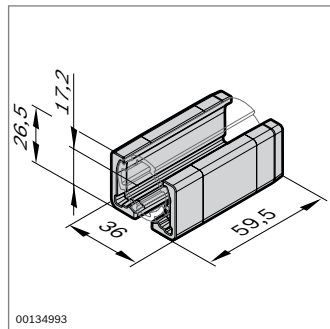
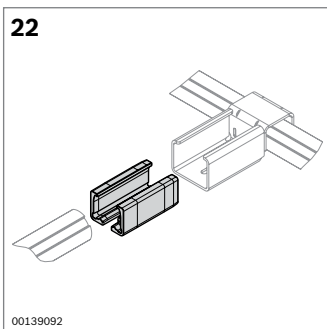
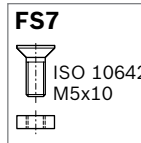
Material: PA66 (conductive); black  
 Scope of delivery: incl. fastening material (FS)



► For attaching containers using the container mount

Container mount	ESD	No.	FS
C		10 3 842 544 797	FS7

Material: PA66 (conductive); black  
 Scope of delivery: incl. fastening material (FS)

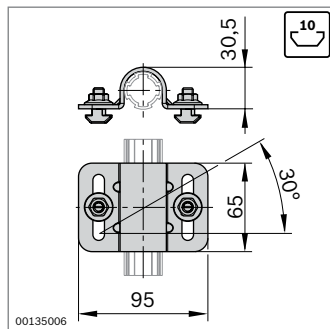
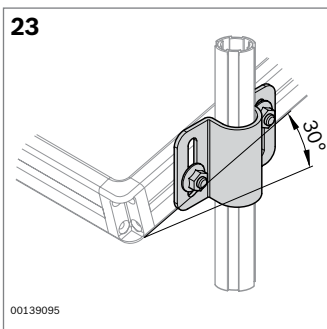


► XLean adapter for combination with XLean.

The XLean adapter connects the D28L round tube with the XLean rail holder (p. 12-26)

XLean adapter	ESD	No.
		20 3 842 541 296

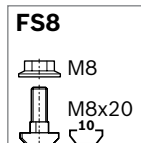
Material: PA66 (conductive); black

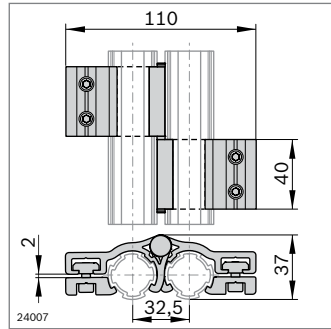
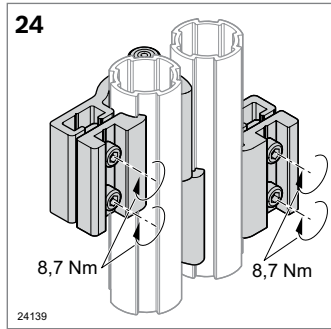


► D28L, N10 tube clamp for fastening material shelves with a 10 mm slot to the D28L round tube; oblique positioning up to 30 degrees is possible

Tube clamp D28L, N10	ESD	No.	FS
		20 3 842 541 193	2xFS8

Material: steel; galvanized  
 Scope of delivery: incl. fastening material (FS)

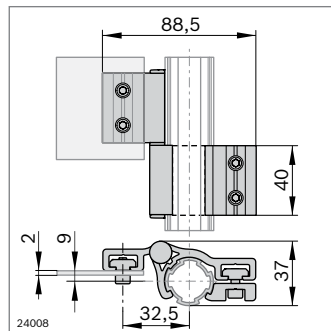
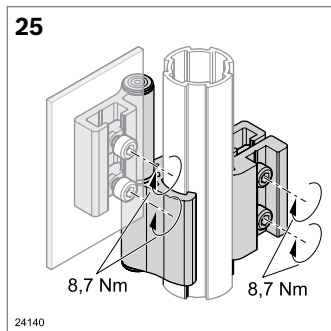
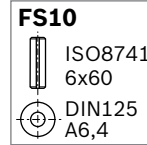
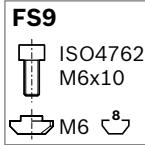




- ▶ Opening angle: 180°
- ▶ For mounting D28L round tube

Hinge D28L/D28L	ESD	No.	FS
		2	3 842 548 126 4xFS9, FS10

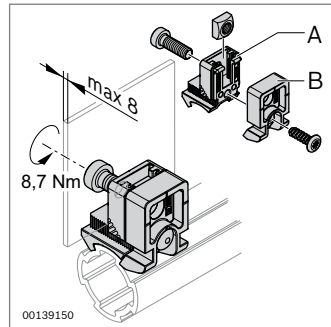
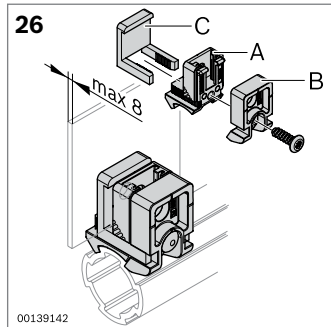
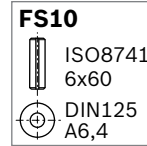
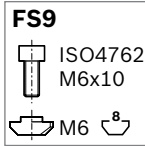
Material: aluminum  
 Scope of delivery: incl. fastening material (FS)



- ▶ Opening angle: 180°
- ▶ For mounting surface elements

Hinge D28L/-	ESD	No.	FS
		2	3 842 548 127 2xFS9, FS10

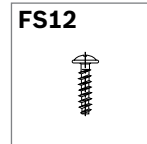
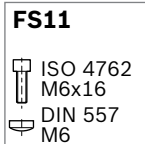
Material: aluminum  
 Scope of delivery: incl. fastening material (FS)



- ▶ Plastic Variofix block for fastening surface elements with snap-in clips or a screw
- ▶ Variofix remover for releasing the snap-in clip (p. 14-7)

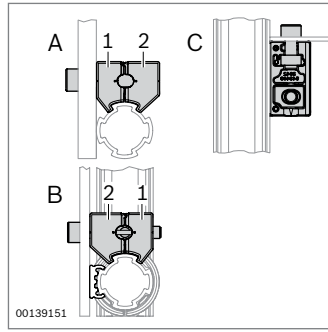
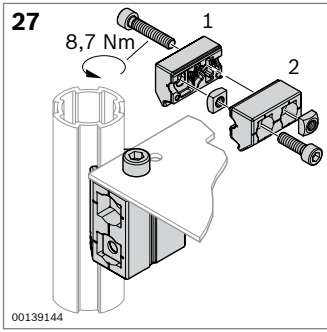
Variofix block PA	No.	FS
A + B	20	3 842 543 311 FS11, FS12

Material: PA66 (conductive); black  
 Scope of delivery: incl. fastening material (FS)



Snap-in clip	No.
C	10 3 842 184 738

Material: PA6; transparent

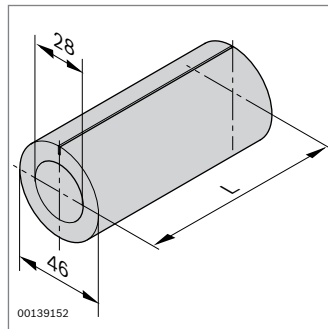
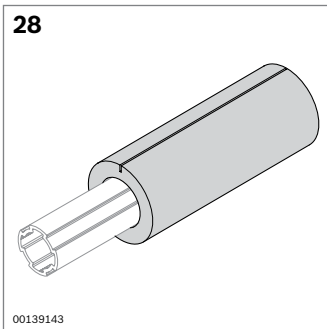


- ▶ diecast zinc Variofix block for fastening surface elements
- ▶ Three arrangements possible (“A”, “B”, “C”)

Variofix Block Zn	ESD	No.	FS
		20	3 842 543 494 FS13

Material: diecast zinc  
 Scope of delivery incl. fastening material (FS)

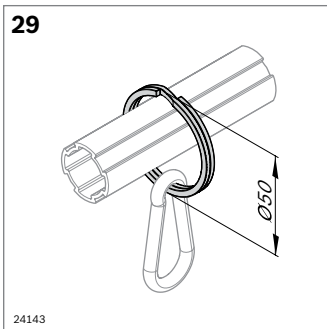
FS13
ISO 4762 M6x22
ISO 4762 M6x30
DIN 557 2x M6



- ▶ Impact protection device for round tube D28 and D28L

Impact protection device	L (mm)	No.
	2000	10 3 842 544 637

Material: PE-LD; gray



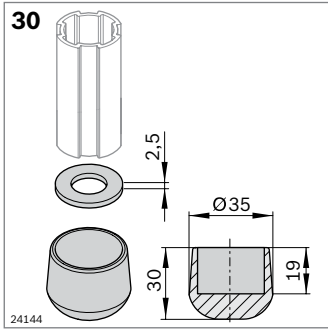
- ▶ For designing simple tool holders

Ring D50	No.
	20 3 842 548 131

Material: steel; nickel-plated

Spring hook	No.
	1 0 842 901 309

Material: galvanized steel

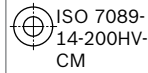


- ▶ Non-slip design of flow racks and stands

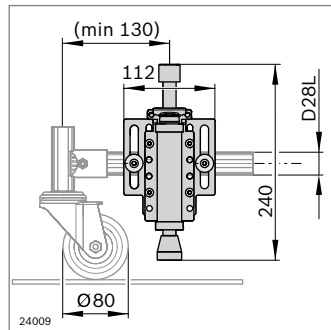
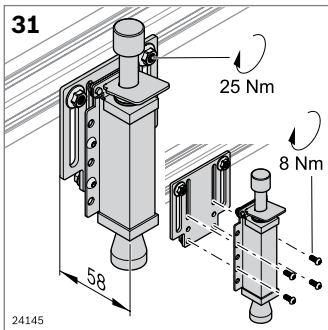
Rubber foot D28	ESD	No.	FS
		20 3 842 548 128	FS14

Material: NR/SBR (conductive); black

**FS14**



- ▶ To stop material shuttles ergonomically at just one point
- ▶ All-purpose option for attachment to different round tubes and profile cross-sections
- ▶ Stopper tension path: 34 mm



Stopper D28L, N10	No.	FS
	3 842 548 132	4xFS15, 2xFS16

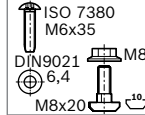
Material: Stopper: stainless steel .EPDM  
Attachment plate: aluminum

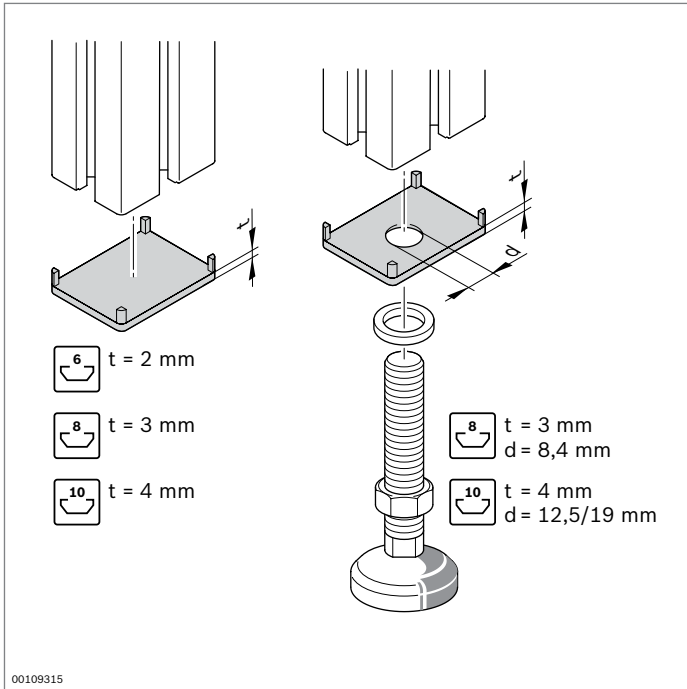
Scope of delivery: incl. fastening material (FS)

**FS15**



**FS16**



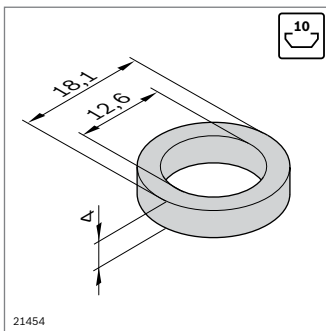


### Cover cap Cover cap with hole



- ▶ To prevent injuries at open profile ends
- ▶ Attractive design
- ▶ Cover cap with hole for use with leveling feet and rollers
- ▶ Cap material: PA or PP

Order information for the caps can be found together with the profiles

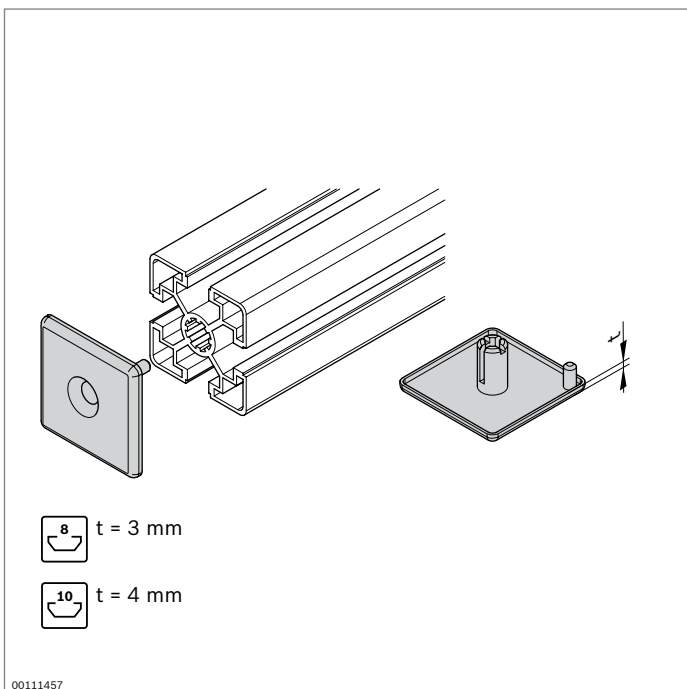


### Bearing ring

- ▶ For cover caps with hole in the sizes 40x40, 45x45, 50x50 and 60x60
- ▶ For M12 threads
- ▶ To protect the caps when tightening accessories

Bearing ring	No.
	100 <b>3 842 555 653</b>

Material: diecast zinc

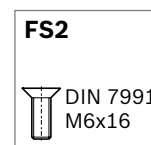
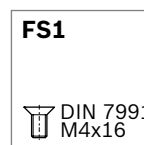


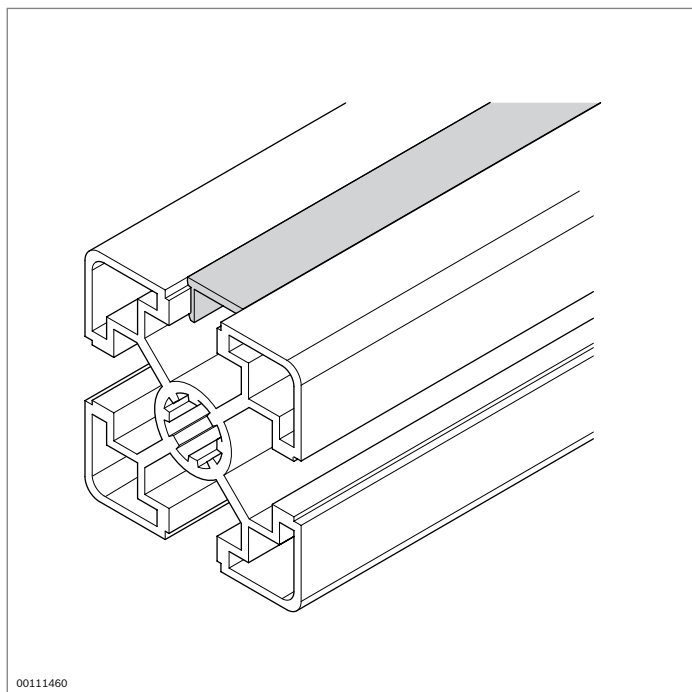
### Diecast zinc cover cap

- ▶ Shock-resistant
- ▶ Resistant to aggressive media
- ▶ Fastened with countersunk screw; profile finishing not required

Cover cap	L1xL2	ESD No.	FS
<b>30x30-ZN</b>	30x30	<b>3 842 518 204</b>	FS1
<b>40x40-ZN</b>	40x40	<b>3 842 541 807</b>	FS2
<b>45x45-ZN</b>	45x45	<b>3 842 518 205</b>	FS2

Material: diecast zinc

















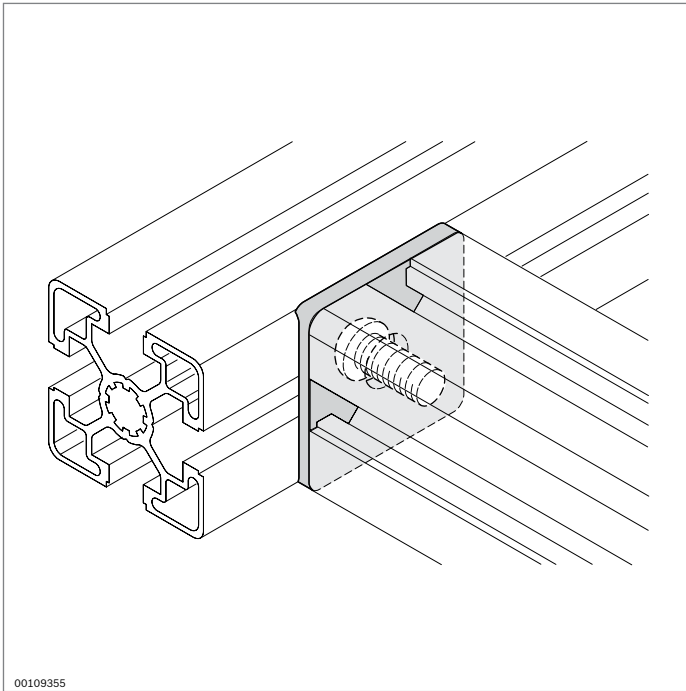


## Cover profiles

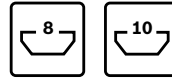


- ▶ For fixing cables in position
- ▶ To prevent dirt from entering the profile slot
- ▶ Attractive design
- ▶ Soft PVC cover profile for 6 mm slot is provided as a roller
- ▶ Flush with profile
- ▶ An ESD-conductive connection between the cover profile and the strut profile must be ensured through a design solution, e.g. screw

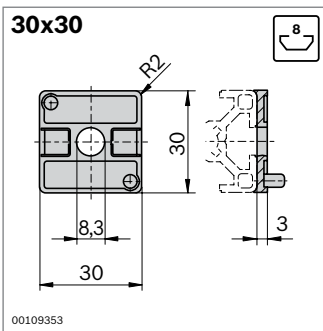
Cover profile, 6 mm slot	Color	Material	ESD	L (mm)		No.
 00109385	Colorless, natural	aluminum, anodized		2000	10	<b>3 842 523 254</b>
 00117777	Light gray (RAL 7035)	Soft PVC		10000	1	<b>3 842 542 435</b>
Cover profile, 8 mm slot	Color	Material	ESD	L (mm)		No.
 00109366	Colorless, natural	aluminum, anodized		2000	10	<b>3 842 523 256</b>
 00109367	Signal gray (RAL 7004)	PP		2000	10	<b>3 842 548 878</b>
	Black (RAL 9005)	PP		2000	10	<b>3 842 548 879</b>
	Light gray (RAL 7035)	Hard PVC		2000	10	<b>3 842 518 375</b>
	Red (RAL 3020)	Hard PVC		2000	10	<b>3 842 518 376</b>
	Yellow (RAL 1023)	Hard PVC		2000	10	<b>3 842 518 377</b>
	Yellow (RAL 6032)	Hard PVC		2000	10	<b>3 842 549 882</b>
	Blue (RAL 5010)	Hard PVC		2000	10	<b>3 842 538 956</b>
	Orange (RAL 2004)	Hard PVC		2000	10	<b>3 842 538 958</b>
	Colorless, transparent	Hard PVC		2000	10	<b>3 842 503 073</b>
Cover profile, 10 mm slot	Color	Material	ESD	L (mm)		No.
 00109388	Colorless, natural	aluminum, anodized		2000	10	<b>3 842 523 258</b>
 19502	Signal gray (RAL 7004)	Hard PVC		2000	10	<b>3 842 548 876</b>
	Black (RAL 9005)	Hard PVC		2000	10	<b>3 842 548 877</b>
	Light gray (RAL 7035)	Hard PVC		2000	10	<b>3 842 518 367</b>
	Red (RAL 3020)	Hard PVC		2000	10	<b>3 842 518 368</b>
	Yellow (RAL 1023)	Hard PVC		2000	10	<b>3 842 518 369</b>
	Yellow (RAL 6032)	Hard PVC		2000	10	<b>3 842 549 888</b>
	Blue (RAL 5010)	Hard PVC		2000	10	<b>3 842 538 955</b>
	Orange (RAL 2004)	Hard PVC		2000	10	<b>3 842 538 957</b>
	Colorless, transparent	Hard PVC		2000	10	<b>3 842 191 182</b>



## Radial compensation

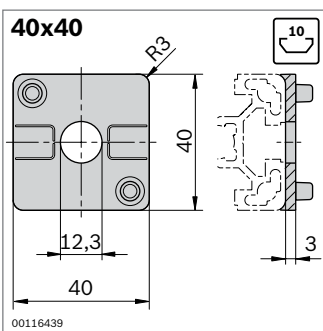


- ▶ To avoid gaps and sharp edges on T-connections between two profiles using a central bolt or quick connector (note spacing of hole from the face of the profile)
- ▶ The slot segments can be broken out in order to fix surface elements in the slot
- ▶ Important note: the load carrying capacity of the profile connection is reduced when using radial compensation (see “Technical data”, page 19-10)!



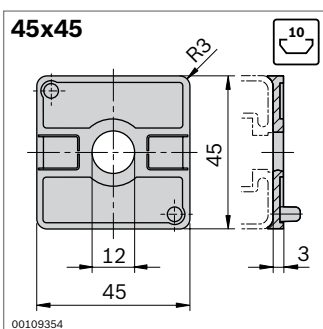
Radial compensation	Groove	No.	No.
<b>30x30</b>	8	10	<b>3 842 551 026</b>

Material: PA; signal gray RAL 7004



Radial compensation	Groove	No.	No.
<b>40x40</b>	10	10	<b>3 842 551 028</b>

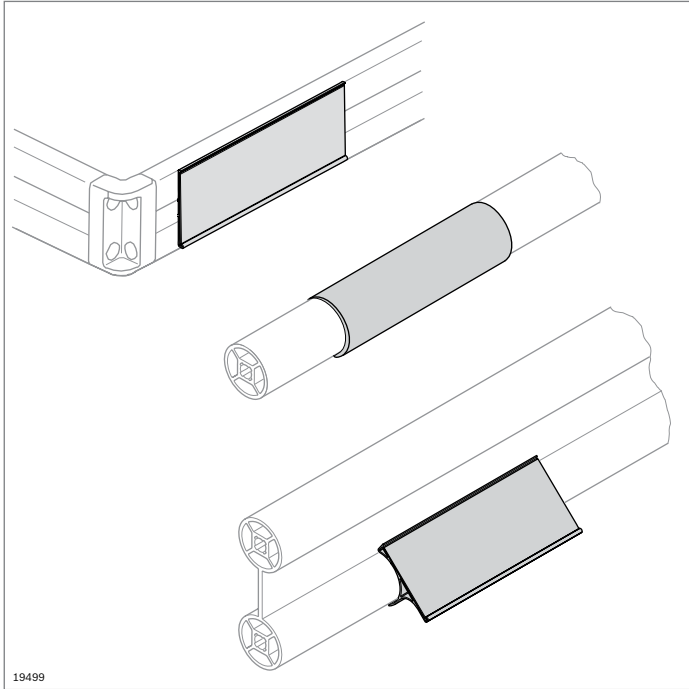
Material: PA; signal gray RAL 7004



Radial compensation	Groove	No.	No.
<b>45x45</b>	10	10	<b>3 842 551 030</b>

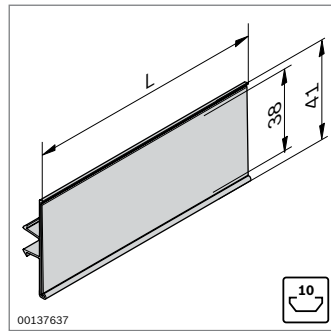
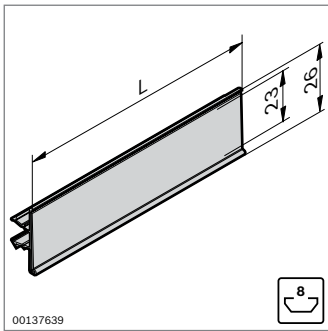
Material: PA; signal gray RAL 7004





## Lettering clips

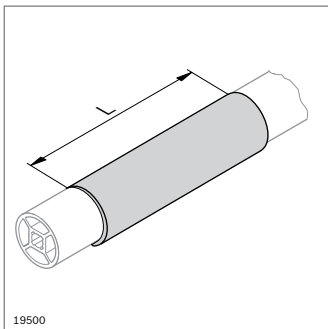
- For the labeling of profiles and tubular cross ties



- Lettering clip for strut profiles with 8 mm and 10 mm slot

Lettering clip	Groove	L (mm)	No.
	8	2000	<b>3 842 537 113</b>
	8	102	<b>3 842 537 650</b>
	10	2000	<b>3 842 537 116</b>
	10	102	<b>3 842 537 651</b>

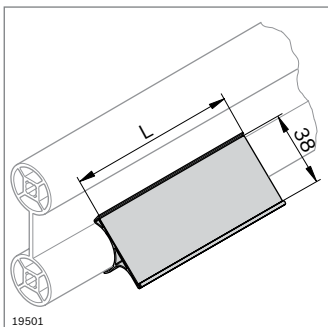
Material: hard PVC, light gray (RAL 7035), transparent



- Self-adhesive
- Lettering clip with rounded text surface for strut profiles D28; D28L; D28L, N10, and D28x55
- Label height 38 mm

Lettering clip	L (mm)	No.
For tubular cross ties	2000	<b>3 842 535 136</b>
	102	<b>3 842 538 093</b>

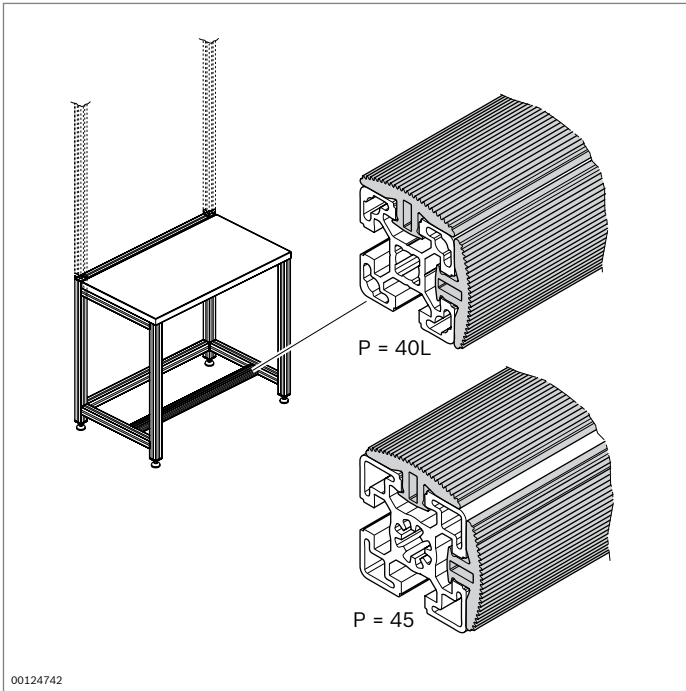
Material: hard PVC, colorless, transparent



- Self-adhesive
- Lettering clip with flat text surface for strut profiles D28; D28L; D28L, N10, and D28x55

Lettering clip	L (mm)	No.
For tubular cross ties	2000	<b>3 842 537 119</b>
	102	<b>3 842 537 652</b>

Material: hard PVC, light gray (RAL 7035), transparent



### Rubber profile Cloth holder

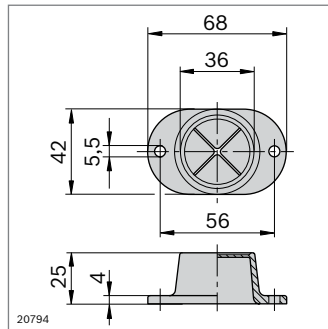
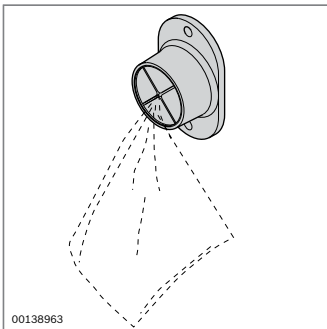


#### Rubber profile

- ▶ To avoid hard abutting edges, for instance when setting down impact-sensitive products
- ▶ For use as footrest to clip onto the cross strut of the workstation from the top and front
- ▶ Really simple and inexpensive
- ▶ Suitable for the construction of ESD workstations

Rubber profile	L (mm)	ESD	No.
	30 ... 2000		1 <b>3 842 994 979 / L</b>
	2000		10 <b>3 842 537 135</b>

Material: EPDM; conduction resistance  
RA = 1x10<sup>3</sup> – 1x10<sup>9</sup> Ω



### Screwed-on cloth holder

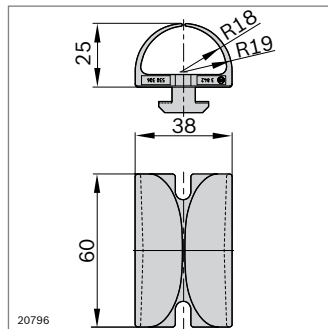
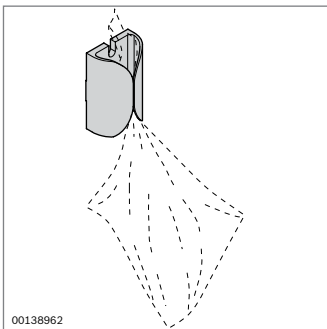
- ▶ For hanging cleaning cloths

Required accessories:

- ▶ T-nut, 10 mm slot, M5 (**3 842 530 283**) (p. 3-4)
- ▶ Screw DIN 7984 M5x12

Screwed-on cloth holder	No.
	<b>1 845 719 000</b>

Material: PE; black



### Cloth holder with clamp base

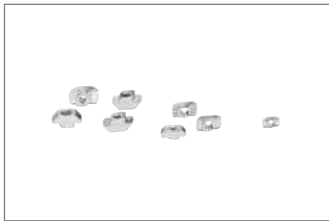
- ▶ With injection molded clamp base for direct assembly on strut profile with 10 mm slot
- ▶ Can also be used as a cable guide

Cloth holder with clamp base	No.
	<b>3 842 530 306</b>

Material: PA6, black



# Connection elements



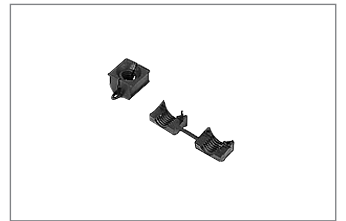
T-nut (p. 3-4)  
Collar screw (p. 3-5)



Flange nut,  
T-bolt (p. 3-6)



Sliding block (p. 3-7)



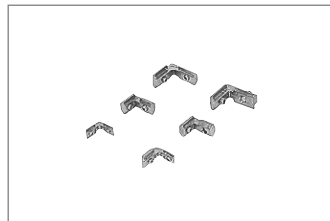
Straddling nut (p. 3-10)



Parallel connector (p. 3-11)



Tensioning  
connector (p. 3-12)



Inner bracket (p. 3-13)  
Inner bracket R (p. 3-14)



Miter bracket (p. 3-16)



Bracket (p. 3-17)



Bracket R (p. 3-29)



Steel bracket (p. 3-31)



Metal bracket,  
supporting bracket  
(p. 3-32)



Foundation bracket (p. 3-33)



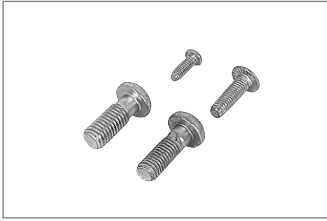
Holder (p. 3-34)



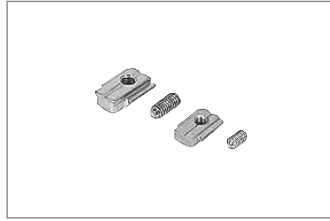
Supporting bracket (p. 3-36)



Profile connector (p. 3-38)



Central bolt (p. 3-40)



Anti-torsion element (p. 3-41)



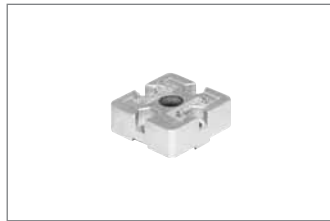
Cubic connector (p. 3-42)



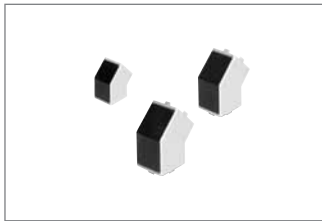
Corner bracket (p. 3-46)



End connector (p. 3-48)



T-connector (p. 3-50)



45° connector (p. 3-52)



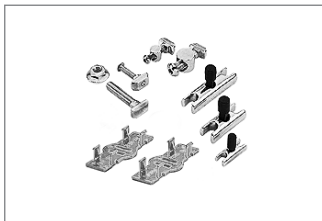
Quick connector (p. 3-53)



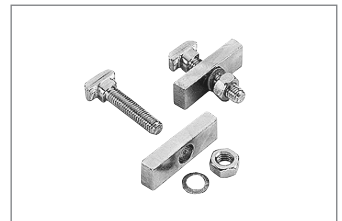
Quick connector,  
bendable (p. 3-56)



Longitudinal end connector  
(p. 3-58)



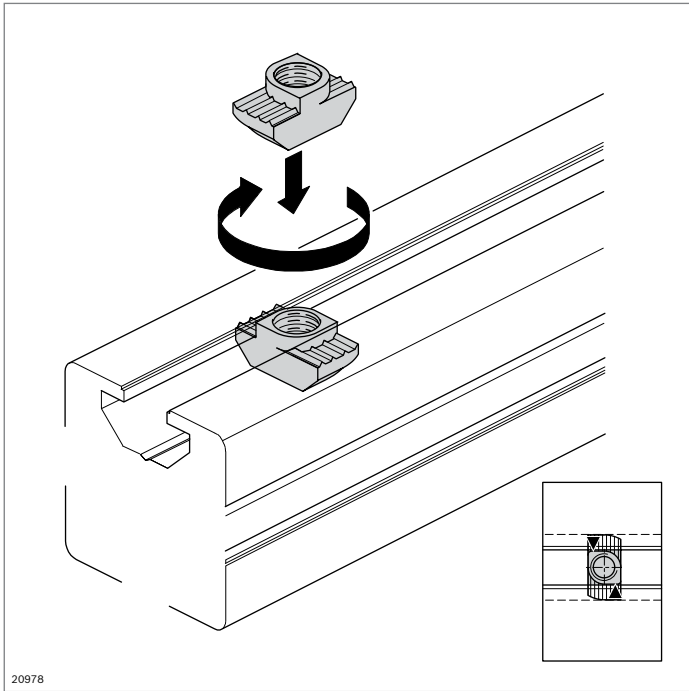
Bolt connector (p. 3-59)



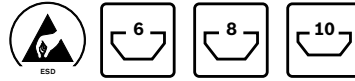
QV mounting kit (p. 3-62)

### Connection elements, selection criteria

		recommended	suitable	unsuitable							
					Bracket	Inner bracket	Bolt connector	Central bolt	Quick connector	T-connector	Tensioning connector
	High feed force										
	High moment										
	High torsional moment										
	Minimal finishing work										
	Minimal assembly										
	Low parts costs										
	Subsequent mounting in closed frame										
	Adjustment possible										
	Fixing of surface elements										
	Internal (concealable) connection										



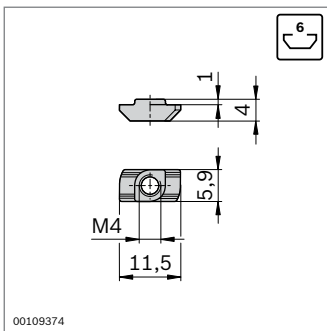
## T-nut

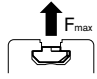




- ▶ Standard element for a secure and conductive connection
- ▶ End stop for correct positioning in the profile slot
- ▶ Stainless steel T-nut, e.g. for outdoor or cleanroom applications
- ▶ Profile finishing: not required

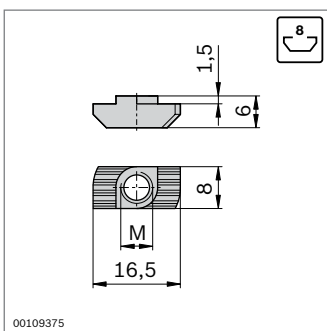
Technical data (p. 19-5)

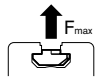
Accessories:  
insulating cap (p. 3-5)









Slot	
6	1700 N

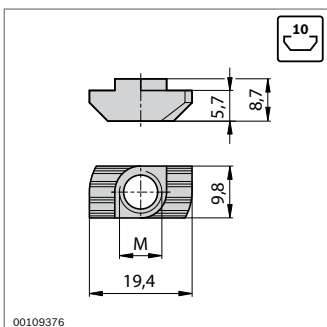
T-nut, 6 mm slot	Slot	M	ESD	No.
steel; galvanized	6	M4		100 3 842 523 135
Stainless steel	6	M4		100 3 842 536 599

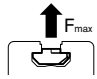


Slot	
8 (M6)	4000 N








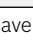
T-nut, 8 mm slot	Slot	M	ESD	No.
steel; galvanized	8	M4		100 3 842 501 751
		M5*		100 3 842 501 752
		M6*		100 3 842 501 753
Stainless steel	8	M4		100 3 842 536 600
		M5		100 3 842 536 601
		M6		100 3 842 536 602

\* Suitable for flat top chains. **Caution:** T-nuts have driving torque for safe turning in the base of the slot.



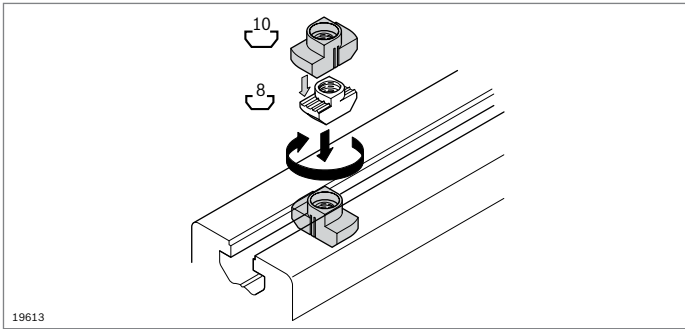
Slot	
10 (M8)	6000 ... 18000 N <sup>1)</sup>

<sup>1)</sup> Depending on profile (p. 19-5)

T-nut, 10 mm slot	Slot	M	ESD	No.
steel; galvanized	10	M4		100 3 842 530 281
		M5*		100 3 842 530 283
		M6*		100 3 842 530 285
		M8*		100 3 842 530 287
Stainless steel	10	M4		100 3 842 536 606
		M5		100 3 842 536 605
		M6		100 3 842 536 604
		M8		100 3 842 536 603

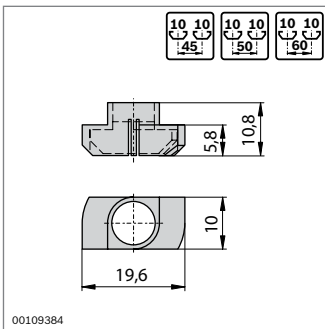
\* Suitable for flat top chains. **Caution:** T-nuts have driving torque for safe turning in the base of the slot.





19613

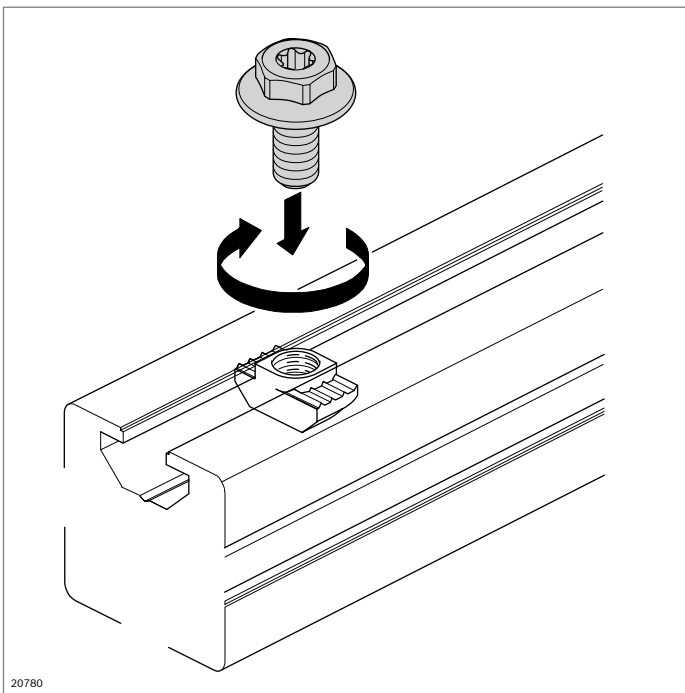
- ▶ Insulating cap for decoupling directly grounded components; for use with T-nuts for 8 mm slots in a 10 mm slot



00109384

Insulating cap for T-nut, 8 mm slot	Slot	No.
	10	10 <b>3 842 524 012</b>

Material: high-strength PA, black



20780

### Collar screw



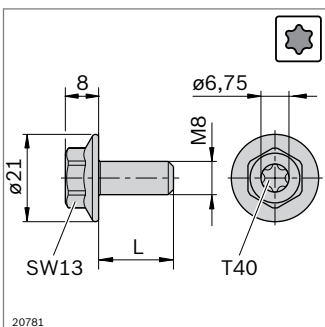
- ▶ Collar screw with multi-functional head so that tightening with a ring / open-end wrench (WS 13) or Torx screwdriver (T40) is possible
- ▶ Machine tightening possible
- ▶ Preferably to be used for fastening brackets
- ▶ Quick and simple assembly
- ▶ Excellent force transmission via the wide flange
- ▶ ESD-capable
- ▶ With Polyfleck to secure the T-nut

Tools:

Offset screwdriver (p. 14-6)

Accessories:

T-nut (p. 3-4)



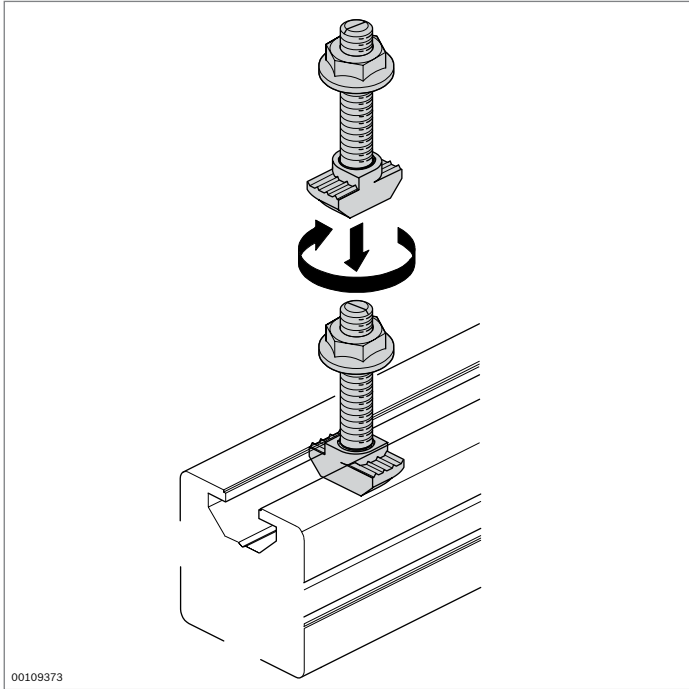
20781

Collar screw	M	L (mm)	ESD	No.
<b>M8x18-SW13-T40<sup>1)</sup></b>	M8	18	100	<b>3 842 541 246</b>
<b>M8x20-SW13-T40<sup>2)</sup></b>	M8	20	100	<b>3 842 541 409</b>

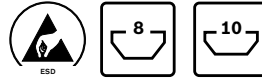
<sup>1)</sup> For 40/40 and 60/60 brackets

<sup>2)</sup> For all other brackets for 10 mm slot

Material: steel; galvanized

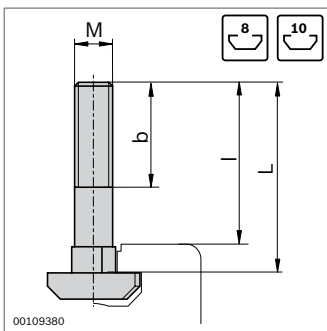
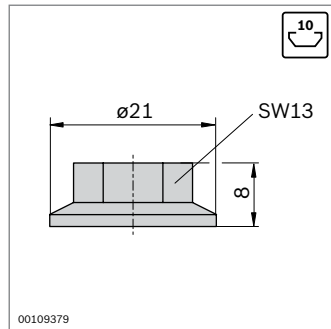
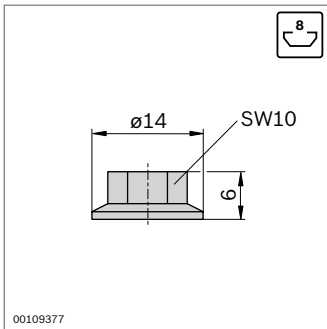


### Flange nut T-bolt



- ▶ Secure, conductive connection
- ▶ Notch at bolt end as marker for identifying correct position
- ▶ Profile finishing: not required

Technical data (p. 19-5)



Slot	
8	4000 N
10	6000 ... 18000 N <sup>1)</sup>

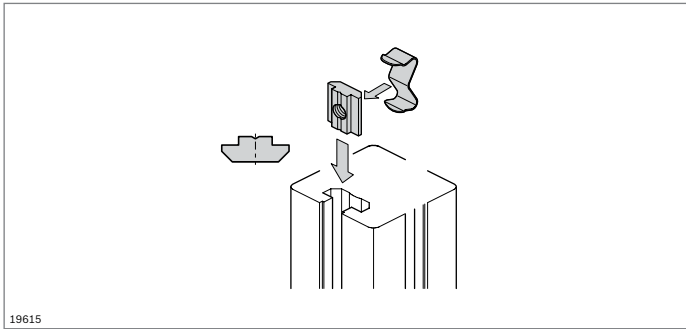
<sup>1)</sup> Depending on profile (p. 19-5)

Flange nut	Slot	M	ESD		No.
	8	M6		100	<b>3 842 523 925</b>
	10	M8		100	<b>3 842 345 081</b>

Material: steel; galvanized

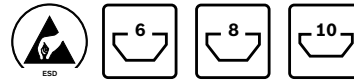
T-bolt	Slot	MxL	b (mm)	l (mm)	ESD		No.
8	8	M6x16	10	14		100	<b>3 842 523 920</b>
		M6x20	14	18		100	<b>3 842 523 921</b>
		M6x25	18	23		100	<b>3 842 523 922</b>
10	10	M8x20	14	14		100	<b>3 842 528 715</b>
		M8x25	19	19		100	<b>3 842 528 718</b>
		M8x30	24	24		100	<b>3 842 528 721</b>
		M8x40	22	34		100	<b>3 842 528 724</b>
		M8x50	22	44		100	<b>3 842 528 727</b>
		M8x60	22	54		100	<b>3 842 528 730</b>

Material: steel; galvanized



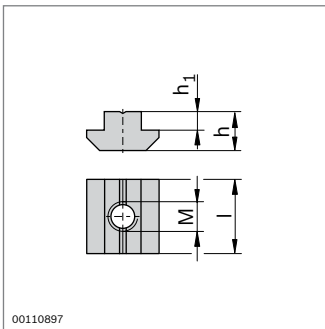
19615

### Sliding block, sliding block profile



- ▶ Sliding block for reliable absorption of high forces
- ▶ Sliding block profile for self-assembly of individual fastening elements
- ▶ Profile finishing: not required
- ▶ The spring assists with the assembly and positioning of the sliding block and swivel-in sliding block (p. 3-8)

Technical data (p. 19-5)



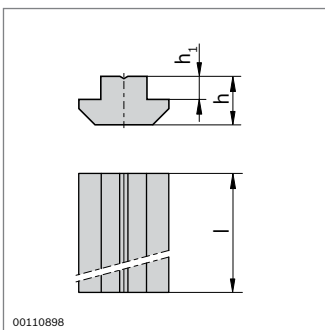
00110897

Slot	
6 (M5)	3 000 N
8 (M8)	6 000 N
10 (M8)	8 000 ... 24 000 N <sup>1)</sup>

<sup>1)</sup> Depending on profile (p. 19-5)

Sliding block	Slot	M	h (mm)	h <sub>1</sub> (mm)	l (mm)	ESD	No.
<b>steel; galvanized</b>	6	M4	4.0	1.0	12		100 <b>3 842 542 692</b>
		M5	4.0	1.0	12		100 <b>3 842 542 693</b>
	8	M4	6.0	2.0	16		100 <b>3 842 514 928</b>
M5		6.0	2.0	16		100 <b>3 842 514 929</b>	
M6		6.0	2.0	16		100 <b>3 842 514 930</b>	
M8		6.0	2.0	16		100 <b>3 842 514 931</b>	
10	M5	10.5	5.0	20		100 <b>3 842 528 741</b>	
	M6	10.5	5.0	20		100 <b>3 842 528 738</b>	
	M8	10.5	5.0	20		100 <b>3 842 528 735</b>	
<b>steel, stainless</b>	6	M4	4.0	1.0	12		100 <b>3 842 523 140</b>
		M5	4.0	1.0	12		100 <b>3 842 523 142</b>
	8	M4	6.0	2.0	16		100 <b>3 842 547 817</b>
M5		6.0	2.0	16		100 <b>3 842 547 816</b>	
M6		6.0	2.0	16		100 <b>3 842 547 815</b>	
M8		6.0	2.0	16		100 <b>3 842 547 814</b>	
10	M5	10.5	5.0	20		100 <b>3 842 547 813</b>	
	M6	10.5	5.0	20		100 <b>3 842 547 812</b>	
	M8	10.5	5.0	20		100 <b>3 842 547 811</b>	

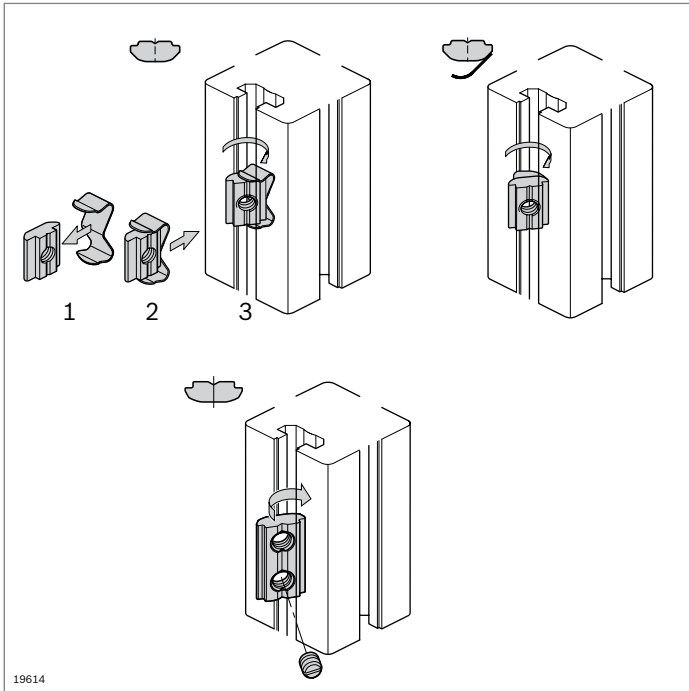
Accessories: Spring (p. 3-9)



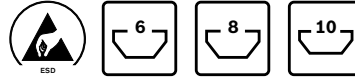
00110898

Sliding block profile	Slot	h (mm)	h <sub>1</sub> (mm)	l (mm)	No.
<b>steel; galvanized</b>	6	4.0	1.0	1000	<b>3 842 542 694</b>
	8	6.0	2.0	1000	<b>3 842 510 078</b>
	10	10.5	5.0	1000	<b>3 842 528 744</b>
<b>steel, stainless</b>	6	4.0	1.0	1000	<b>3 842 523 438</b>

Accessories: Spring (p. 3-9)

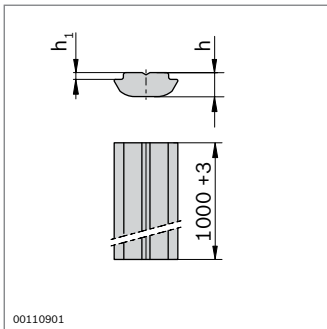


### Sliding block, swivel-in sliding block profile, swivel-in spring



- ▶ Swivel-in sliding block profile for self-assembly of individual fastening elements
- ▶ The swivel-in sliding block for inserting directly at the installation position for really easy assembly
- ▶ The swivel-in sliding block with spring can be inserted directly at the assembly point and fixed in position thanks to attached springs
- ▶ The swivel-in sliding block with headless setscrews permits shake-proof fixing in all positions
- ▶ Profile finishing: not required

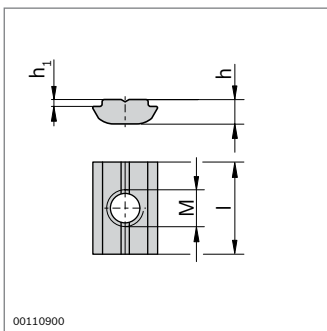
Technical data (p. 19-5)



Slot	
8 (M8)	2 200 N
10 (M8)	8 000 ... 18 000 N <sup>1)</sup>

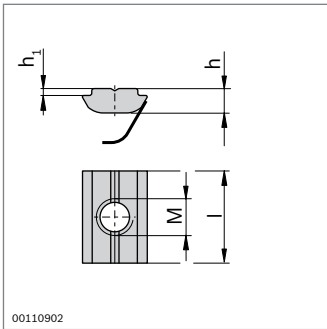
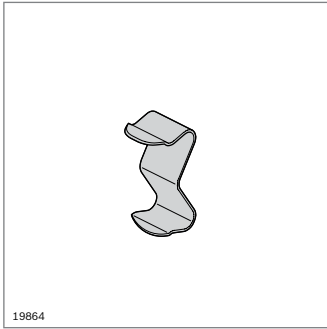
<sup>1)</sup> Depending on profile (p. 19-5)

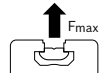
Swivel-in sliding block profile	Slot	h (mm)	h <sub>1</sub> (mm)	l (mm)	No.
steel; galvanized	8	4.8	1.0	1000	<b>3 842 529 327</b>
	10	5.3	1.5	1000	<b>3 842 529 325</b>



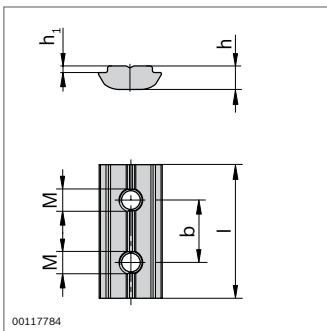
Sliding block, swivel-in	Slot	M	h (mm)	h <sub>1</sub> (mm)	l (mm)	ESD	No.
steel; galvanized	8	M5	4.8	1.0	16		100 <b>3 842 529 319</b>
		M6	4.8	1.0	16		100 <b>3 842 529 320</b>
		M8	4.8	1.0	16		100 <b>3 842 529 321</b>
	10	M6	5.3	1.5	20		100 <b>3 842 529 323</b>
		M8	5.3	1.5	20		100 <b>3 842 529 324</b>
	steel, stainless	6	M3	3.0	0.9	12	
M4			3.0	0.9	12		100 <b>3 842 536 669</b>
M5			3.0	0.9	12		100 <b>3 842 547 825</b>
8		M6	4.8	1.0	16		100 <b>3 842 530 321</b>
10		M8	5.3	1.5	20		100 <b>3 842 530 316</b>

Accessories: spring (p. 3-9)




















Slot	
8 (M8)	2 200 N
10 (M8)	8 000 ... 18 000 N <sup>1)</sup>

<sup>1)</sup> Depending on profile (p. 19-5)



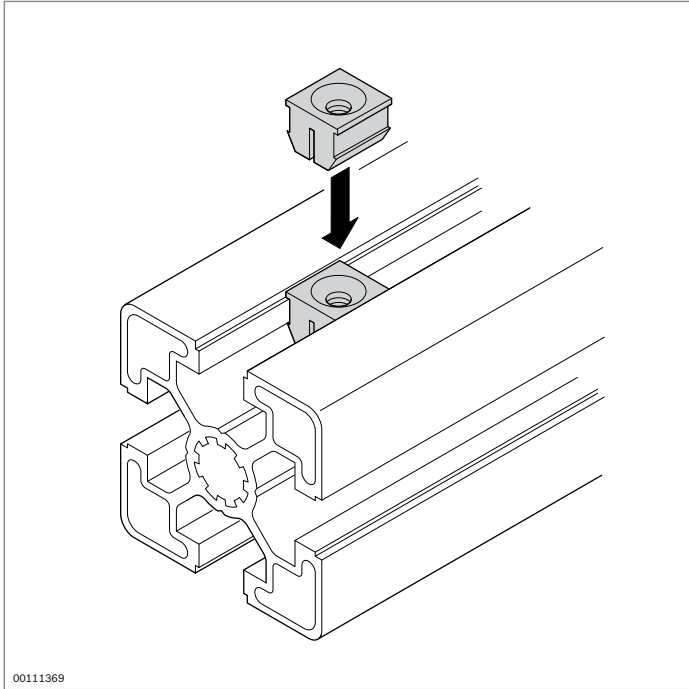
- ▶ The spring assists with the assembly and positioning of the sliding block and swivel-in sliding block

Spring	Slot		No.
Spring steel, stainless	6	100	<b>3 842 523 145</b>
	8	100	<b>3 842 516 685</b>
	10	100	<b>3 842 516 669</b>

Swivel-in sliding block with spring	Slot	M	h (mm)	h <sub>1</sub> (mm)	l (mm)	ESD 	No.
steel; galvanized	8	M4	4.8	1.0	16		100 <b>3 842 529 294</b>
		M5	4.8	1.0	16		100 <b>3 842 529 295</b>
		M6	4.8	1.0	16		100 <b>3 842 529 296</b>
		M8	4.8	1.0	16		100 <b>3 842 529 297</b>
	10	M4	5.3	1.5	20		100 <b>3 842 541 393</b>
		M5	5.3	1.5	20		100 <b>3 842 529 298</b>
		M6	5.3	1.5	20		100 <b>3 842 529 299</b>
		M8	5.3	1.5	20		100 <b>3 842 529 300</b>
steel, stainless	8	M4	4.8	1.0	16		100 <b>3 842 547 824</b>
		M5	4.8	1.0	16		100 <b>3 842 547 823</b>
		M6	4.8	1.0	16		100 <b>3 842 547 822</b>
		M8	4.8	1.0	16		100 <b>3 842 547 821</b>
	10	M5	5.3	1.5	20		100 <b>3 842 547 808</b>
		M6	5.3	1.5	20		100 <b>3 842 547 807</b>
		M8	5.3	1.5	20		100 <b>3 842 547 806</b>

Material: Spring: Spring steel, stainless

Sliding block, swivel-in, with headless setscrew	Slot	M	b (mm)	h (mm)	h <sub>1</sub> (mm)	l (mm)	No.
steel; galvanized	8	M5	12	4.8	1.0	24	100 <b>3 842 536 675</b>
	10	M5	14	5.3	1.5	30	100 <b>3 842 536 676</b>
steel, stainless	6	M4	8	3.0	0.9	15	100 <b>3 842 536 673</b>



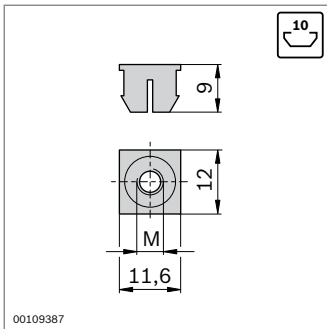
## Straddling nut




- ▶ For attaching light accessories such as cable fasteners or rings
- ▶ Easy assembly by clipping into the profile groove
- ▶ Profile finishing: not required

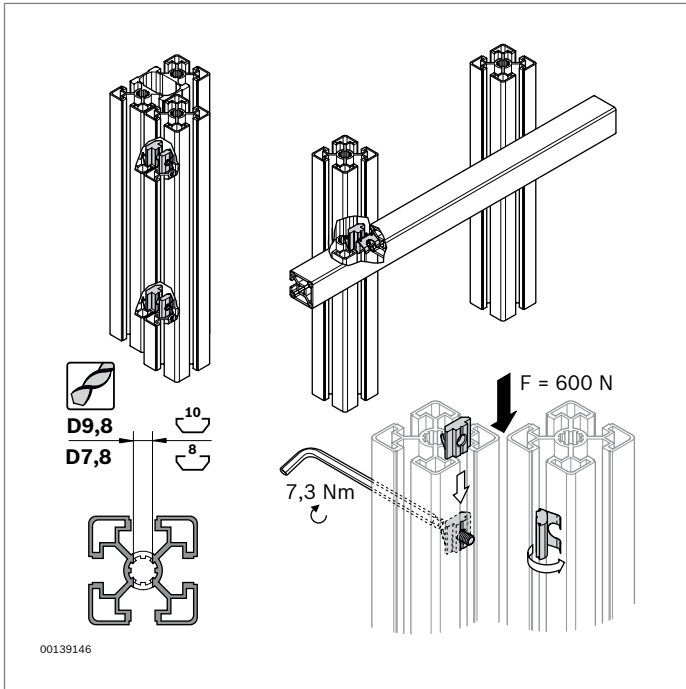
Required accessories:

Countersunk screw

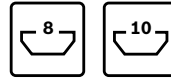


Straddling nut	Slot	M		No.
	10	M4	100	<b>3 842 111 987</b>
		M5	100	<b>3 842 111 988</b>
		M6	100	<b>3 842 111 989</b>

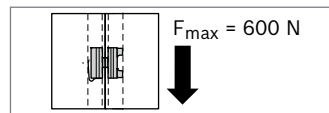
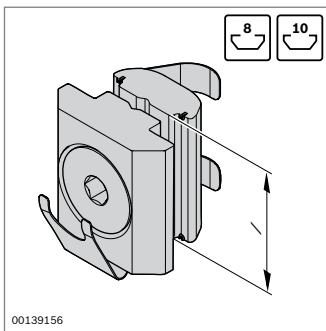
Material: PA; black



### Parallel connector



- ▶ For gap-free connecting of two strut profiles, parallel to the axis or at any angle
- ▶ Parallel connector consisting of two sliding blocks with welded springs for simple assembly
- ▶ Attractive-looking interior connection, e.g. for material shelves
- ▶ Connection possible in any position
- ▶ Transferable displacement force per parallel connector: 600 N
- ▶ Profile finishing: through-hole

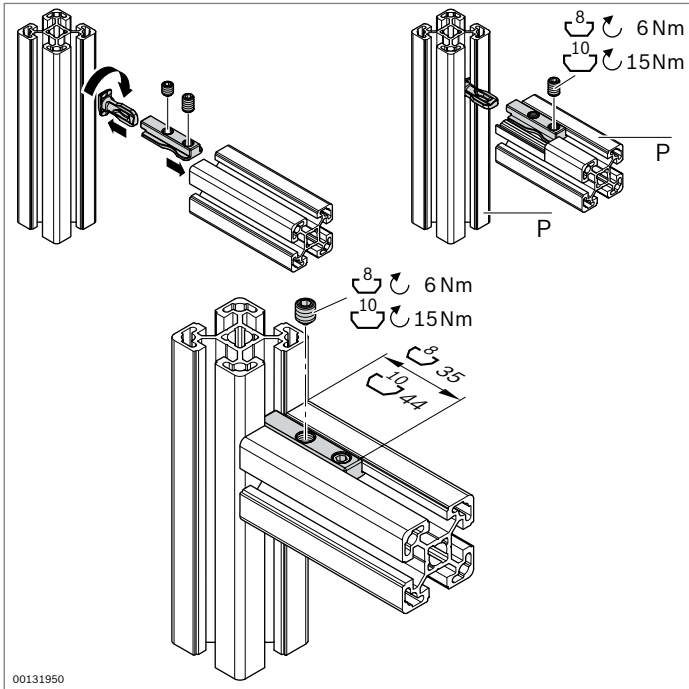


Parallel connector	Slot I (mm)		No.
	8	16 10	<b>3 842 542 737</b>
	10	20 10	<b>3 842 542 736</b>

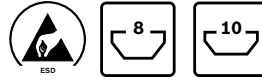
Material: Sliding block: steel; galvanized  
 Spring: Spring steel, stainless

Scope of delivery: sliding block with spring, swivel-in sliding block with spring, countersunk screw M5





### Tensioning connector



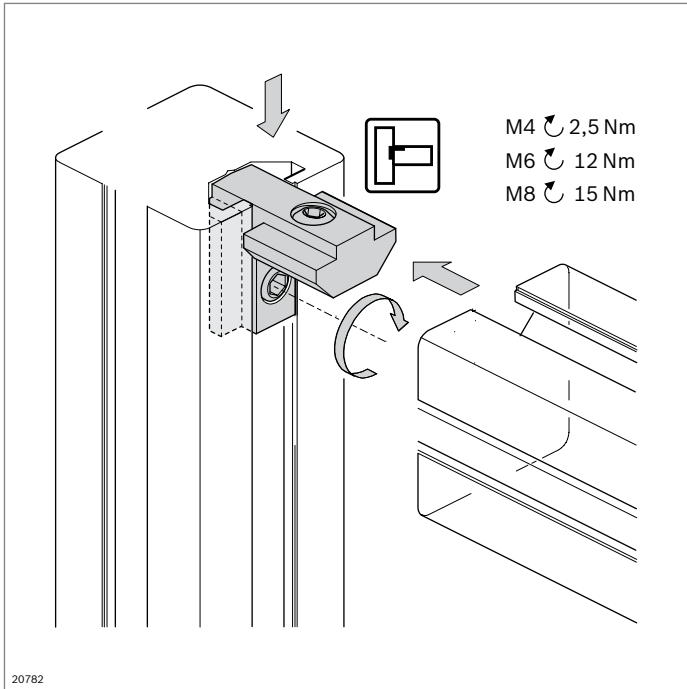
- ▶ Tensioning connector for fast assembly
- ▶ The connector can be moved within the slot
- ▶ Easily accessible screws
- ▶ Three slots are left free for mounting surface elements
- ▶ Profile finishing: not required

Technical data (p. 19-8)

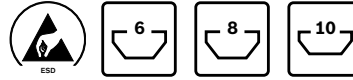
P			
30x...	1000 N	35 Nm	15 Nm
45x...L	3500 N	110 Nm	30 Nm
40x..., 45x..., 50x..., 90x...	3500 N	110 Nm	30 Nm
60x...	3500 N	195 Nm	60 Nm

Tensioning connector	Slot	P	ESD		No.
<b>8</b>	8	30x...		10	<b>3 842 538 489</b>
<b>10L</b>	10	45x...L		10	<b>3 842 538 491</b>
<b>10</b>	10	40x..., 45x..., 50x..., 60x..., 90x...		10	<b>3 842 538 490</b>

Material: steel; galvanized

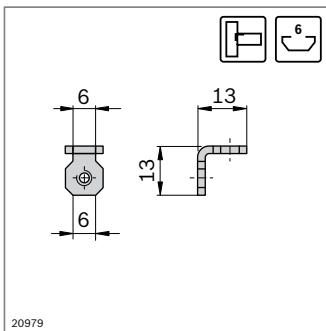


### Inner bracket



- ▶ For elegant, easy-to-assemble profile connections
- ▶ Especially suitable for constructing frames for doors, protective grilles, or partition walls
- ▶ The inner bracket, 6 mm slot, can also be used as an inner bracket R, 6 mm slot
- ▶ Profile finishing: not required

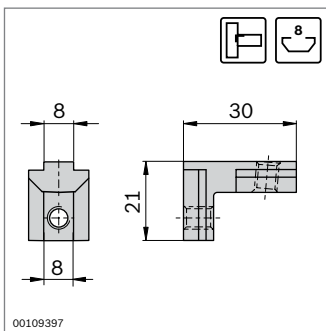
Technical data (p. 19-8)



**FS1**  
 DIN 915  
M4x6

Inner bracket	Slot	ESD		No.	FS
	6 / 6		10	<b>3 842 535 574</b>	2xFS1

Material: sheet steel; galvanized  
 Fastening material: steel; galvanized  
 Scope of delivery: incl. fastening material (FS)



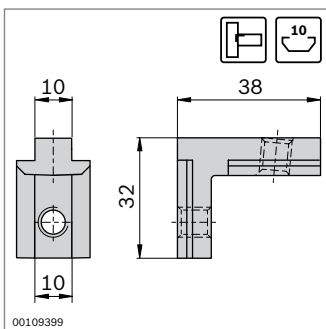
**Slot**

8 / 8	2200 N	50 Nm
-------	--------	-------

**FS2**  
 DIN 913  
M6x8

Inner bracket	Slot	ESD		No.	FS
	8 / 8		10	<b>3 842 535 578</b>	2xFS2

Material: cast steel; galvanized  
 Fastening material: steel; galvanized  
 Scope of delivery: incl. fastening material (FS)



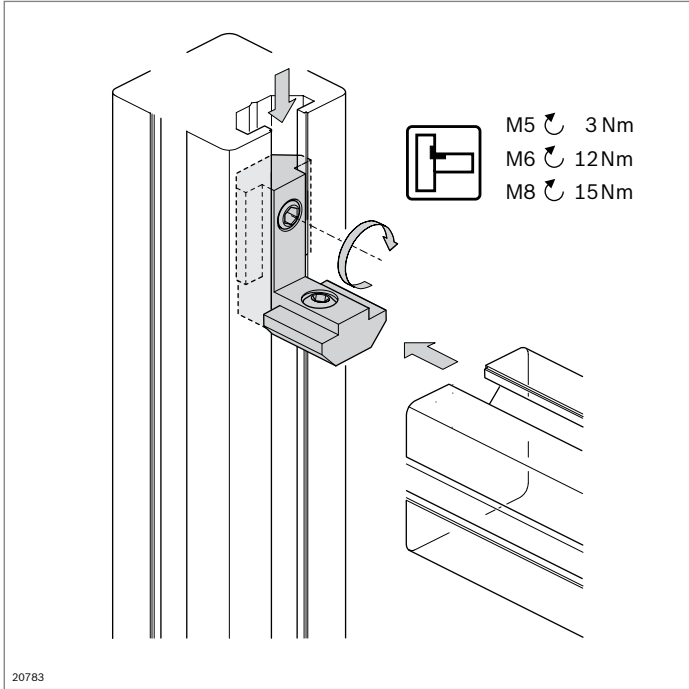
**Slot**

10 / 10	2800 N	100 Nm
---------	--------	--------

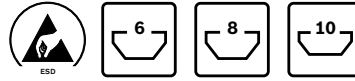
**FS3**  
 DIN 913  
M8x12

Inner bracket	Slot	ESD		No.	FS
	10 / 10		10	<b>3 842 535 572</b>	2xFS3

Material: cast steel; galvanized  
 Fastening material: steel; galvanized  
 Scope of delivery: incl. fastening material (FS)

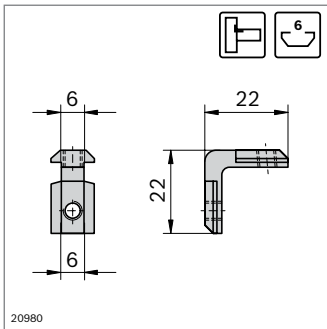


### Inner bracket R



- ▶ For elegant, easy-to-assemble profile connections
- ▶ Especially suitable for constructing frames for doors, protective grilles, or partition walls
- ▶ Profile finishing: not required

Technical data (p. 19-8)

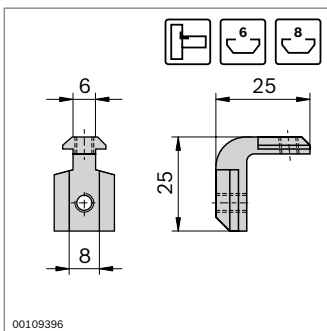


Slot	$F_{max}$	$M_{max}$
6 / 6	600 N	10 Nm

FS1
DIN 913 M5x5

Inner bracket R	Slot	ESD	No.	FS
	6 / 6	⚡	10	3 842 535 575 2xFS1

Material: cast steel; galvanized  
Fastening material: steel; galvanized  
Scope of delivery: incl. fastening material (FS)

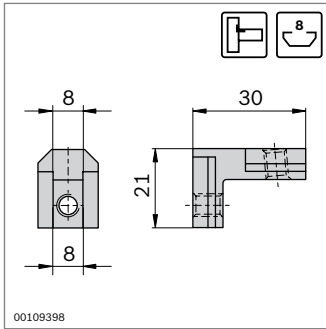


Slot	$F_{max}$	$M_{max}$
6 / 8	600 N	10 Nm

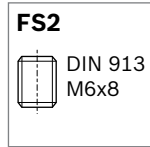
FS1
DIN 913 M5x5

Inner bracket R	Slot	ESD	No.	FS
	6 / 8	⚡	10	3 842 535 573 2xFS1

Material: cast steel; galvanized  
Fastening material: steel; galvanized  
Scope of delivery: incl. fastening material (FS)

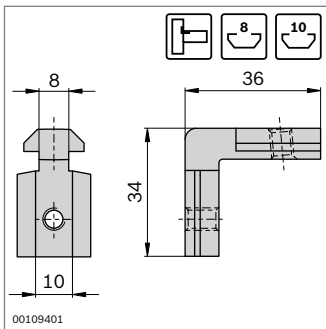


Slot	$F_{max}$	$M_{max}$
8 / 8	2500 N	50 Nm

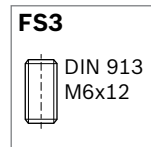
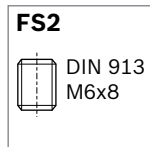


Inner bracket R	Slot	ESD	No.	FS
	8 / 8	10	3 842 535 577	2xFS2

Material: cast steel; galvanized  
Fastening material: steel; galvanized  
Scope of delivery: incl. fastening material (FS)

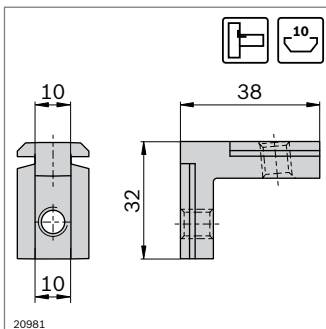


Slot	$F_{max}$	$M_{max}$
8 / 10	2500 N	50 Nm

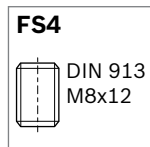


Inner bracket R	Slot	ESD	No.	FS
	8 / 10	10	3 842 535 576	FS2, FS3

Material: cast steel; galvanized  
Fastening material: steel; galvanized  
Scope of delivery: incl. fastening material (FS)

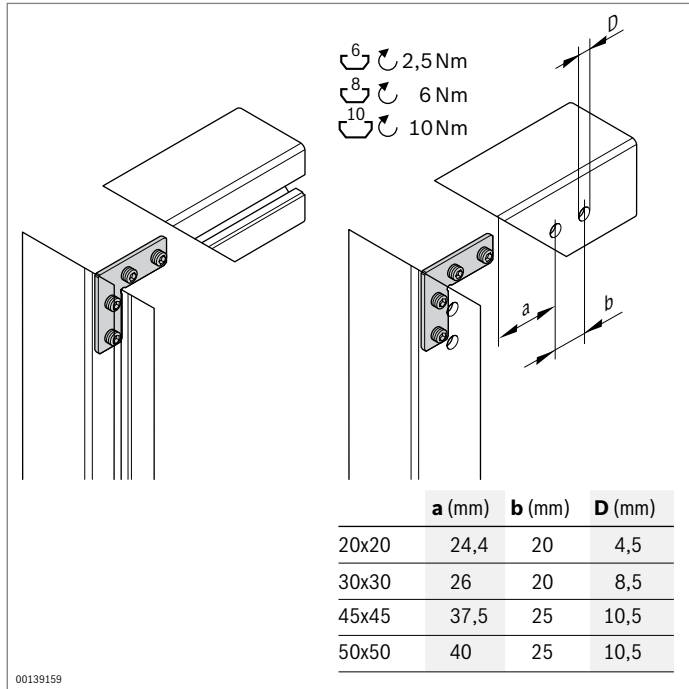


Slot	$F_{max}$	$M_{max}$
10 / 10	3000 N	100 Nm

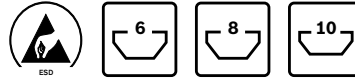


Inner bracket R	Slot	ESD	No.	FS
	10 / 10	10	3 842 535 571	2xFS4

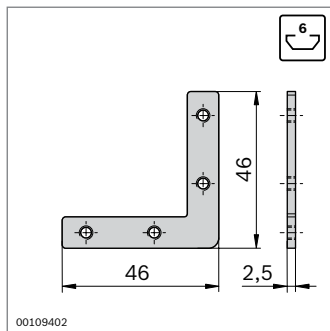
Material: cast steel; galvanized  
Fastening material: steel; galvanized  
Scope of delivery: incl. fastening material (FS)



### Miter bracket

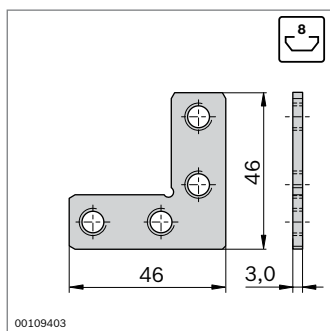


- For making right-angled, miter-cut profile connections
- Profile finishing with open profile slots: not required
- Profile finishing with closed profile slots: through-holes for screwdriver



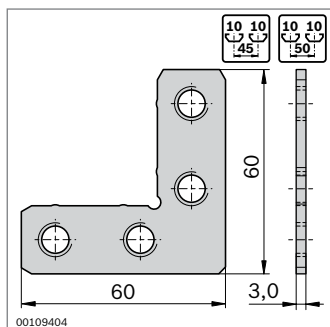
#### FS1

DIN EN ISO 4027  
M4x5



#### FS2

DIN EN ISO 4026  
M8x8



#### FS3

DIN EN ISO 4026  
M10x10

Miter bracket	Slot	ESD	No.	FS
	6		20	3 842 535 626 4xFS1

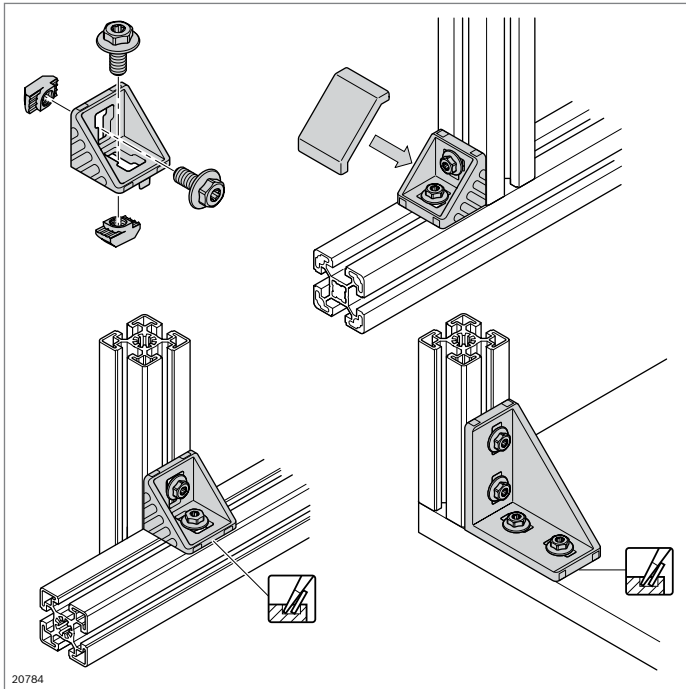
Material: steel, stainless  
Fastening material: steel; galvanized  
Scope of delivery: incl. fastening material (FS)

Miter bracket	Slot	ESD	No.	FS
	8		20	3 842 535 627 4xFS2

Material: steel; galvanized  
Fastening material: steel; galvanized  
Scope of delivery: incl. fastening material (FS)

Miter bracket	Slot	ESD	No.	FS
	10		20	3 842 535 625 4xFS3

Material: steel; galvanized  
Fastening material: steel; galvanized  
Scope of delivery: incl. fastening material (FS)



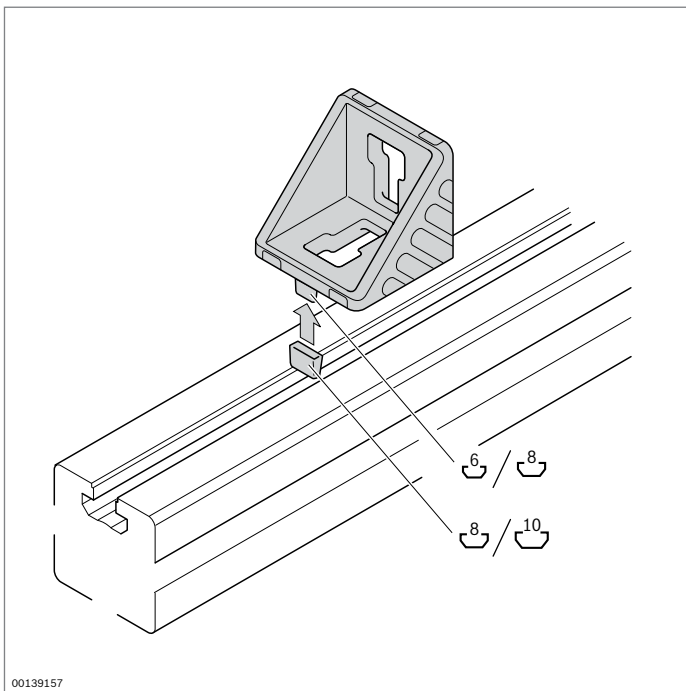
## Bracket

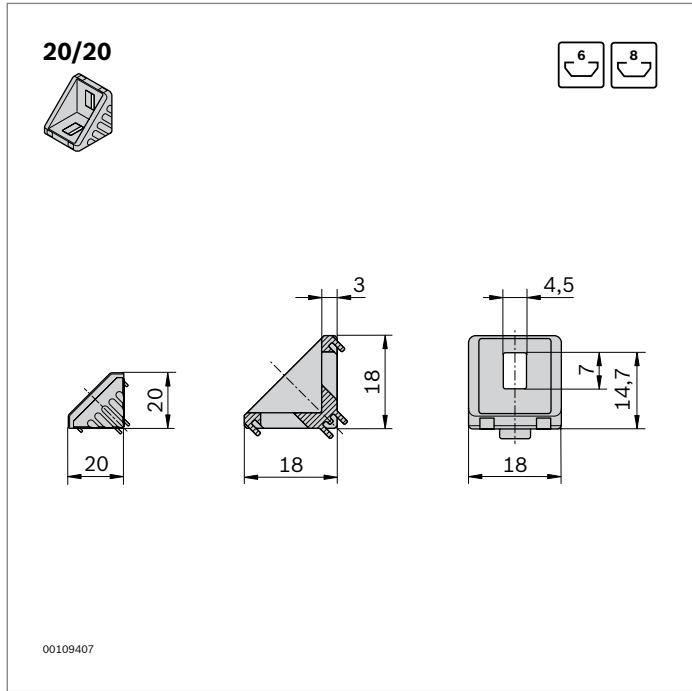


- ▶ Brackets with centering lugs for rapid, precise assembly with protection against turning
- ▶ Centering lugs can be easily broken off for assembly on plates or at right angles to the slot
- ▶ *designLINE* version with special silver paint (RAL 9006) for an attractive, high-quality design
- ▶ Intermediate element for positioning brackets in the next largest slot
- ▶ Offset sliding block for off-center positioning of the 45/45 bracket
- ▶ Cover cap to protect from dirt, available in signal gray (RAL 7004) and black ESD (RAL 9005)
- ▶ Profile finishing: not required

Technical data (p. 19-9)

**Note:** The collar screws enable the brackets to be assembled really quickly and easily (p. 3-5)



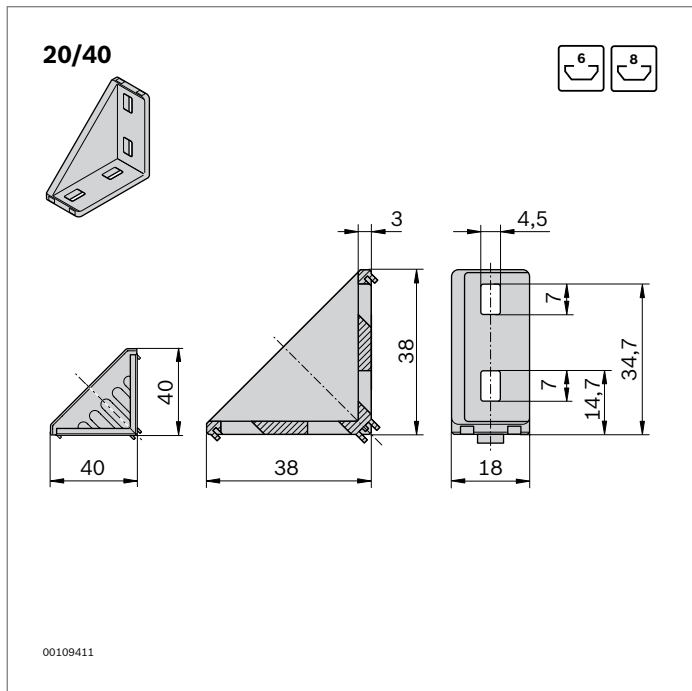
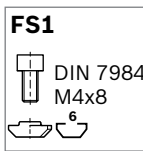


20/20	Slot	ESD		No.	FS
Set (standard)	6 / 6		1	<b>3 842 523 511</b>	2xFS1
<i>designLINE</i> set	6 / 6		1	<b>3 842 551 596</b>	2xFS1
Bracket (standard)	6		100	<b>3 842 523 508</b>	
Cover cap, signal gray			100	<b>3 842 548 842</b>	
Cover cap, black			20	<b>3 842 548 843</b>	
Intermediate element for 8 mm slot	6 / 8		100	<b>3 842 523 516</b>	

Material: Bracket: Diecast aluminum, vibratory ground  
*designLINE* bracket: painted (RAL 9006)  
 Adapter: PA; black  
 Cover cap: PP  
 Fastening material: steel; galvanized

Scope of delivery: set incl. fastening material (FS)

Type				
20/20	700 N	6 Nm	25 Nm	–

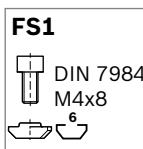


20/40	Slot	ESD		No.	FS
Set (standard)	6 / 6		1	<b>3 842 523 520</b>	4xFS1
<i>designLINE</i> set	6 / 6		1	<b>3 842 551 597</b>	4xFS1
Bracket (standard)	6		20	<b>3 842 523 517</b>	
Cover cap, signal gray			20	<b>3 842 548 844</b>	
Cover cap, black			20	<b>3 842 548 845</b>	
Adapter for 8 mm slot	6 / 8		100	<b>3 842 523 516</b>	

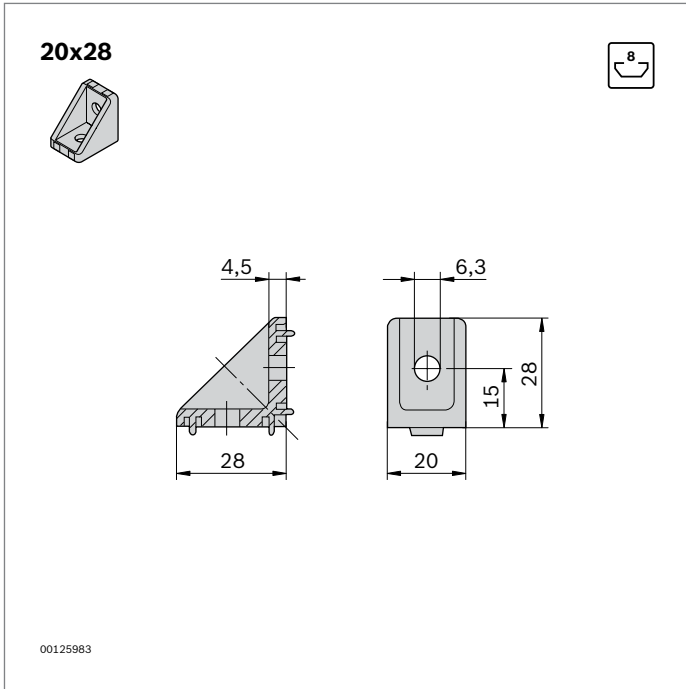
Material: Bracket: Diecast aluminum, vibratory ground  
*designLINE* bracket: painted (RAL 9006)  
 Adapter: PA; black  
 Cover cap: PP  
 Fastening material: steel; galvanized

Scope of delivery: set incl. fastening material (FS)

Type				
20/40	1400 N	15 Nm	50 Nm	8 Nm

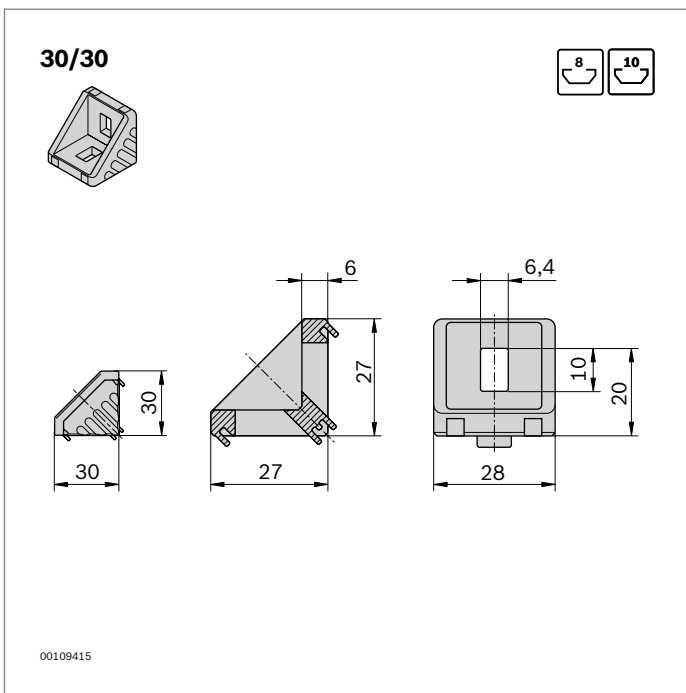
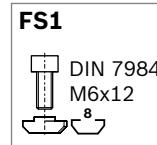






20x28	Slot	ESD	No.	FS
Set (standard)	8 / 8		1 <b>3 842 502 137</b>	2xFS1
Bracket (standard)	8		100 <b>3 842 501 587</b>	

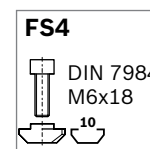
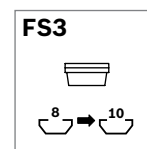
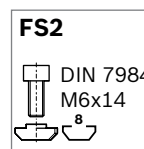
Material: diecast zinc  
 Fastening material: steel; galvanized  
 Scope of delivery: set incl. fastening material (FS)

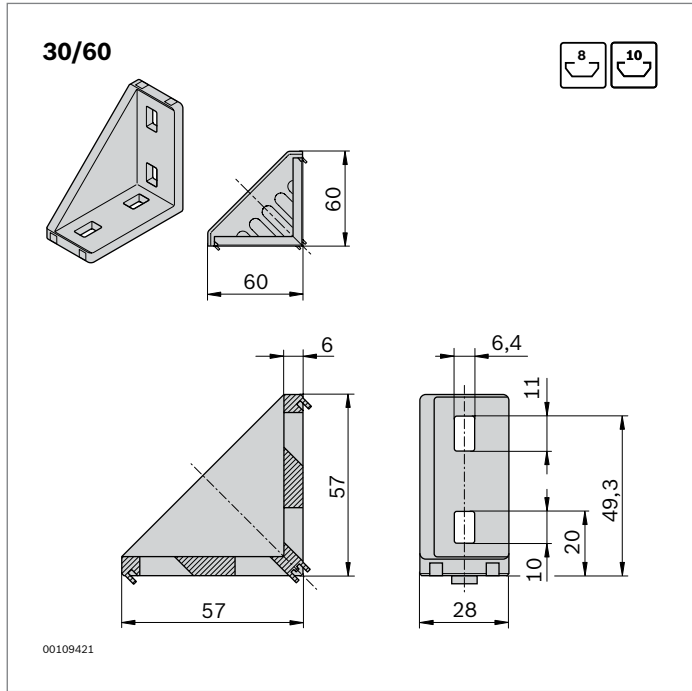


30/30	Slot	ESD	No.	FS
Set (standard)	8 / 8		1 <b>3 842 523 528</b>	2xFS2
	8 / 10		1 <b>3 842 523 530</b>	1xFS2, 2xFS3, 1xFS4
	10 / 10		1 <b>3 842 523 532</b>	4xFS3, 2xFS4
designLINE set	8 / 8		1 <b>3 842 551 598</b>	2xFS2
	8 / 10		1 <b>3 842 551 600</b>	1xFS2, 2xFS3, 1xFS4
	10 / 10		1 <b>3 842 551 599</b>	4xFS3, 2xFS4
Bracket (standard)	8		100 <b>3 842 523 525</b>	
Cover cap, signal gray			100 <b>3 842 548 846</b>	
Cover cap, black			20 <b>3 842 548 847</b>	
Adapter for 10 mm slot	8 / 10		100 <b>3 842 523 537</b>	

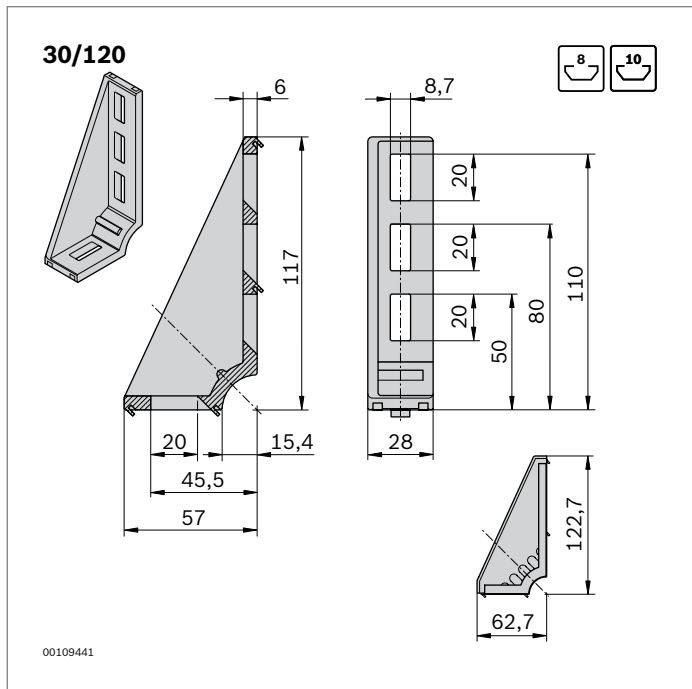
Material: Bracket: Diecast aluminum, vibratory ground  
 designLINEbracket: painted (RAL 9006)  
 Adapter: PA; black  
 Cover cap: PP  
 Fastening material: steel; galvanized  
 Scope of delivery: set incl. fastening material (FS)

Type				
30/30	1250 N	25 Nm	75 Nm	—





Type				
30/60	2500 N	100 Nm	170 Nm	25 Nm

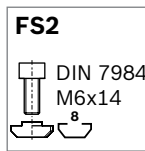


Type			
30/120	3750 N	100 Nm	47 Nm

30/60	Slot	ESD		No.	FS
Set (standard)	8 / 8		1	<b>3 842 523 541</b>	4xFS2
<i>designLINE</i> set	8 / 8		1	<b>3 842 551 601</b>	4xFS2
Bracket (standard)	8		20	<b>3 842 523 538</b>	
Cover cap, signal gray			20	<b>3 842 548 848</b>	
Cover cap, black			20	<b>3 842 548 849</b>	
Adapter for 10 mm slot	8 / 10		100	<b>3 842 523 537</b>	

Material: Bracket: Diecast aluminum, vibratory ground  
*designLINE* bracket: painted (RAL 9006)  
 Adapter: PA, black  
 Cover cap: PP  
 Fastening material: steel; galvanized

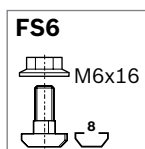
Scope of delivery: set incl. fastening material (FS)

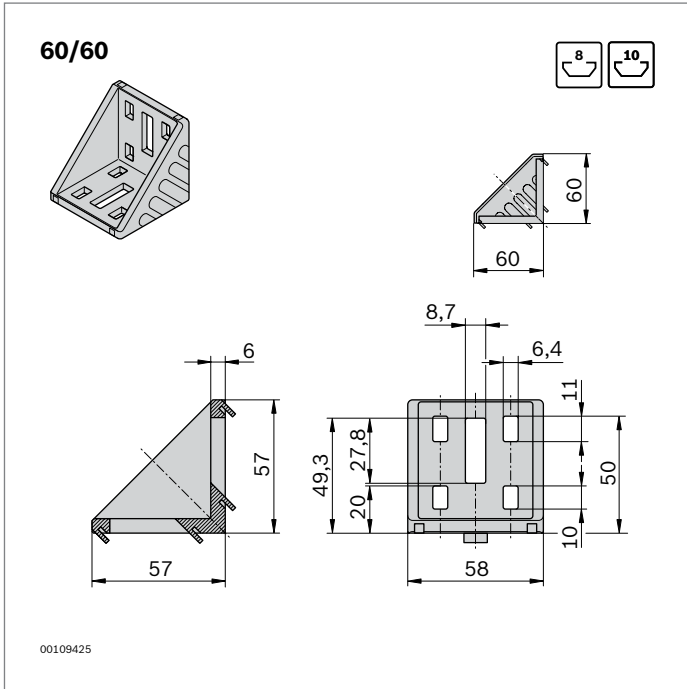


30/120	Slot	ESD		No.	FS
<i>designLINE</i> set	8 / 8		1	<b>3 842 551 602</b>	2xFS6
Bracket (standard)	8		20	<b>3 842 523 587</b>	
Cover cap, signal gray			20	<b>3 842 548 850</b>	
Cover cap, black			20	<b>3 842 548 851</b>	
Adapter for 10 mm slot	8 / 10		100	<b>3 842 523 537</b>	

Material: Bracket: Diecast aluminum, vibratory ground  
*designLINE* bracket: painted (RAL 9006)  
 Adapter: PA, black  
 Cover cap: PP  
 Fastening material: steel; galvanized

Scope of delivery: set incl. fastening material (FS)



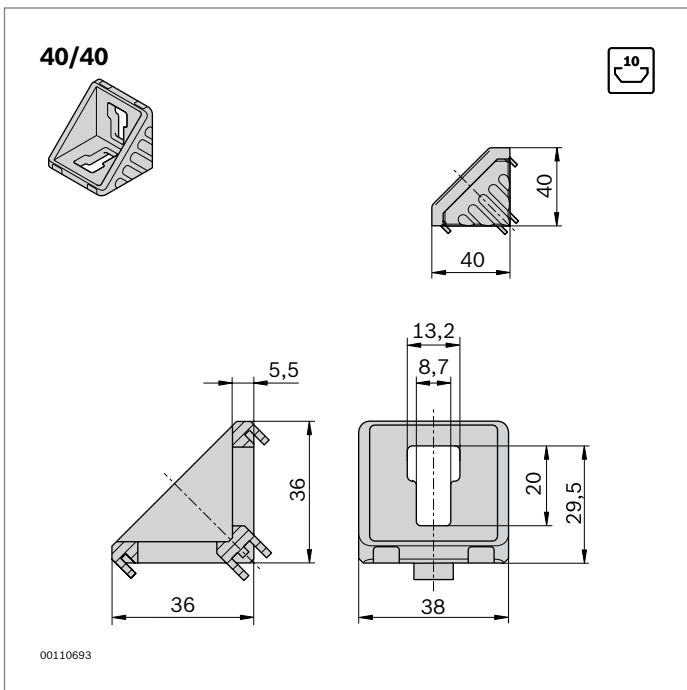
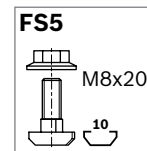
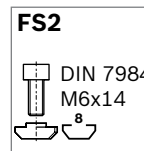


60/60	Slot	ESD	No.	FS
Set (standard)	8 / 8		1	<b>3 842 523 549</b> 8xFS2
	8 / 10		1	<b>3 842 523 551</b> 4xFS2, 1xFS5
	10 / 10		1	<b>3 842 523 553</b> 2xFS5
<i>designLINE</i> set	8 / 8		1	<b>3 842 551 609</b> 8xFS2
	8 / 10		1	<b>3 842 551 610</b> 4xFS2, 1xFS5
	10 / 10		1	<b>3 842 551 611</b> 2xFS5
Bracket (standard)	8		20	<b>3 842 523 546</b>
Cover cap, signal gray			20	<b>3 842 548 852</b>
Cover cap, black			20	<b>3 842 548 853</b>
Adapter for 10 mm slot	10		100	<b>3 842 523 537</b>

Material: Bracket: Diecast aluminum, vibratory ground  
*designLINE* bracket: painted (RAL 9006)  
 Adapter: PA; black  
 Cover cap: PP  
 Fastening material: steel; galvanized

Scope of delivery: set incl. fastening material (FS)

Type	Slot				
60/60	8	5000 N	320 Nm	370 Nm	110 Nm
	10	3000 N	125 Nm	150 Nm	-

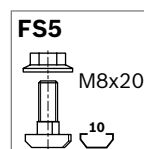


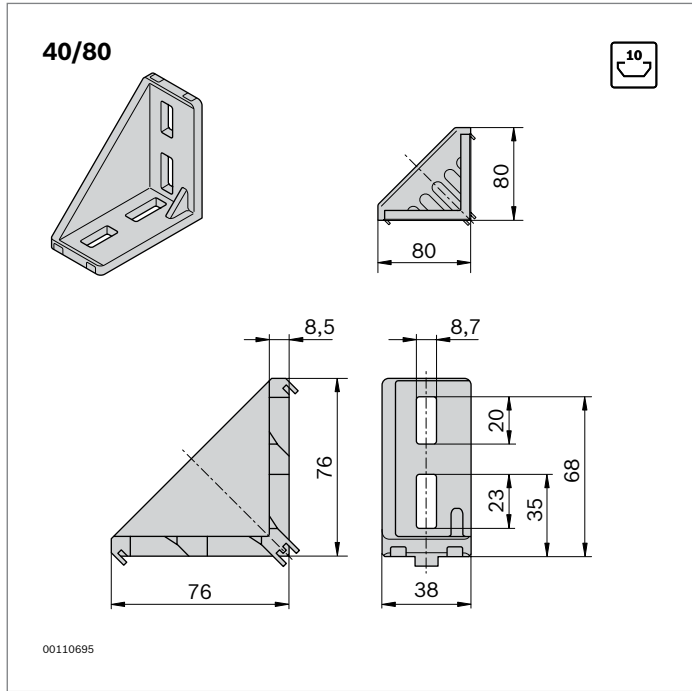
40/40	Slot	ESD	No.	FS
Set (standard)	10 / 10		1	<b>3 842 529 383</b> 2xFS5
<i>designLINE</i> set	10 / 10		1	<b>3 842 551 603</b> 2xFS5
Bracket (standard)	10		100	<b>3 842 528 967</b>
Cover cap, signal gray			100	<b>3 842 548 854</b>
Cover cap, black			20	<b>3 842 548 855</b>




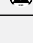

Material: Bracket: Diecast aluminum, vibratory ground  
*designLINE* bracket: painted (RAL 9006)  
 Cover cap: PP  
 Fastening material: steel; galvanized

Scope of delivery: set incl. fastening material (FS)

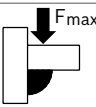
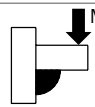
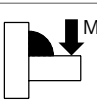
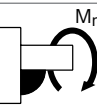
Type				
40/40	3000 N	55 Nm	145 Nm	35 Nm

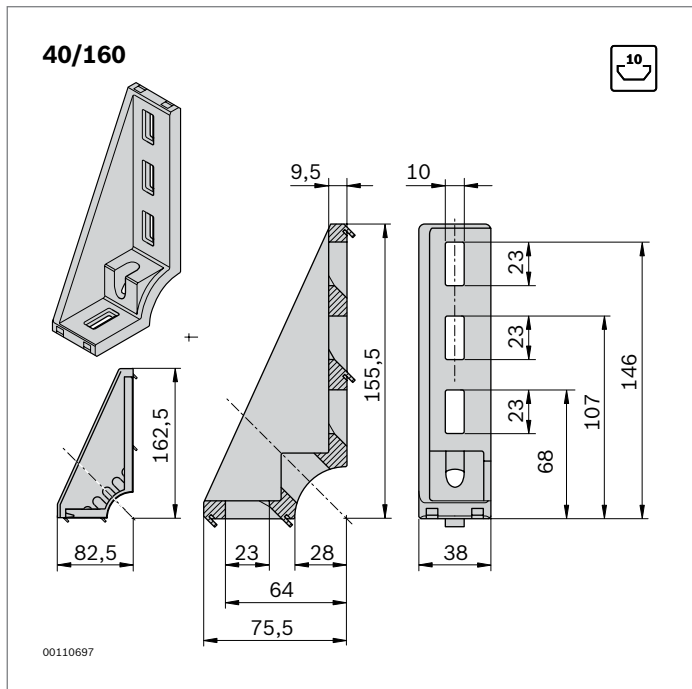
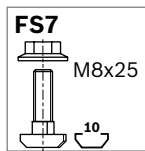




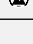



40/80	Slot	ESD		No.	FS
Set (standard)	10 / 10		1	<b>3 842 529 386</b>	4xFS7
<i>designLINE</i> set	10 / 10		1	<b>3 842 551 604</b>	4xFS7
Bracket (standard)	10		20	<b>3 842 529 005</b>	
Cover cap, signal gray			20	<b>3 842 548 856</b>	
Cover cap, black			20	<b>3 842 548 857</b>	

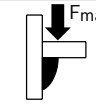
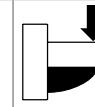
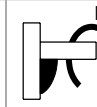
Material: Bracket: Diecast aluminum, vibratory ground  
*designLINE* bracket: painted (RAL 9006)  
 Cover cap: PP  
 Fastening material: steel; galvanized  
 Scope of delivery: set incl. fastening material (FS)

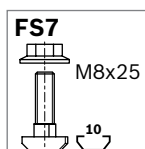
Type				
40/80	6000 N	180 Nm	400 Nm	60 Nm

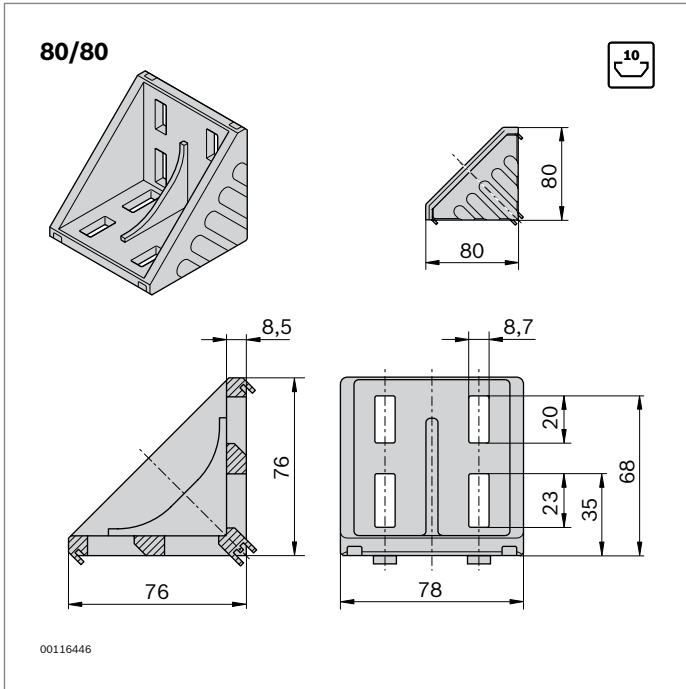


40/160	Slot	ESD		No.	FS
<i>designLINE</i> set	10 / 10		1	<b>3 842 551 605</b>	2xFS7
Bracket (standard)	10		20	<b>3 842 529 006</b>	
Cover cap, signal gray			20	<b>3 842 548 858</b>	
Cover cap, black			20	<b>3 842 548 859</b>	

Material: Bracket: Diecast aluminum, vibratory ground  
*designLINE* bracket: painted (RAL 9006)  
 Cover cap: PP  
 Fastening material: steel; galvanized  
 Scope of delivery: set incl. fastening material (FS)

Type			
40/160	9000 N	250 Nm	60 Nm





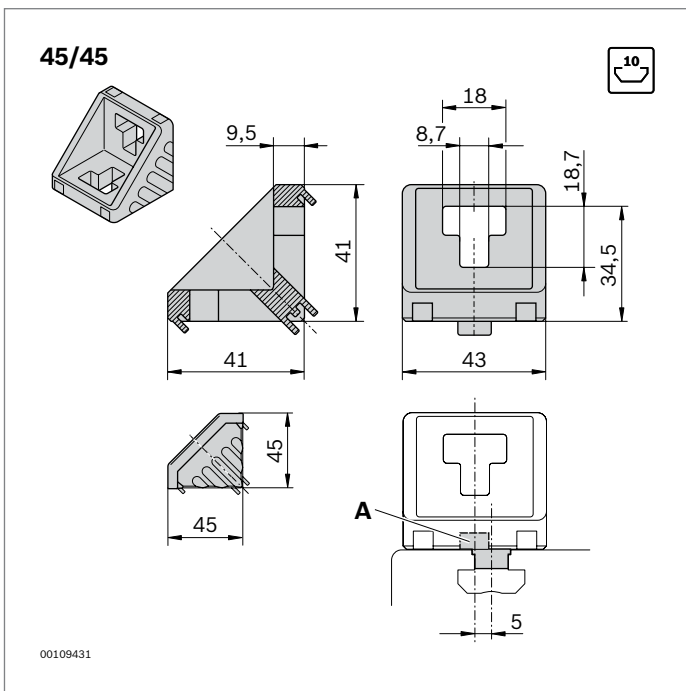
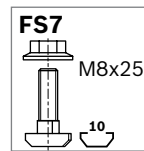
80/80	Slot	ESD		No.	FS
Set (standard)	10 / 10		1	<b>3 842 530 360</b>	8xFS7
<i>designLINE</i> set	10 / 10		1	<b>3 842 551 612</b>	8xFS7
Bracket (standard)	10		20	<b>3 842 530 231</b>	
Cover cap, signal gray			20	<b>3 842 548 860</b>	
Cover cap, black			20	<b>3 842 548 861</b>	

Material: Bracket: Diecast aluminum, vibratory ground  
*designLINE* bracket: painted (RAL 9006)  
 Cover cap: PP

Fastening material: steel; galvanized

Scope of delivery: set incl. fastening material (FS)

Type				
80/80	14000 N	500 Nm	1000 Nm	400 Nm



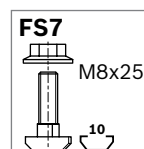
45/45	Slot	ESD		No.	FS
Set (standard)	10 / 10		1	<b>3 842 523 561</b>	2xFS7
<i>designLINE</i> set	10 / 10		1	<b>3 842 551 606</b>	2xFS7
Bracket (standard)	10		100	<b>3 842 523 558</b>	
Cover cap, signal gray			100	<b>3 842 548 862</b>	
Cover cap, black			20	<b>3 842 548 863</b>	
Sliding block, offset (A)	10		100	<b>3 842 523 593</b>	

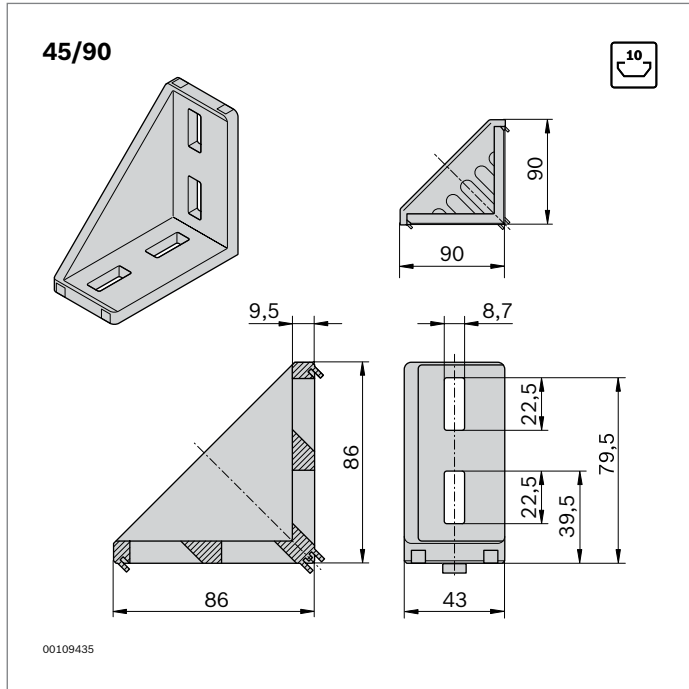
Material: Bracket: Diecast aluminum, vibratory ground  
*designLINE* bracket: painted (RAL 9006)  
 Sliding block, offset: PA, black  
 Cover cap: PP

Fastening material: steel; galvanized

Scope of delivery: set incl. fastening material (FS)

Type				
45/45	3000 N	60 Nm	160 Nm	—

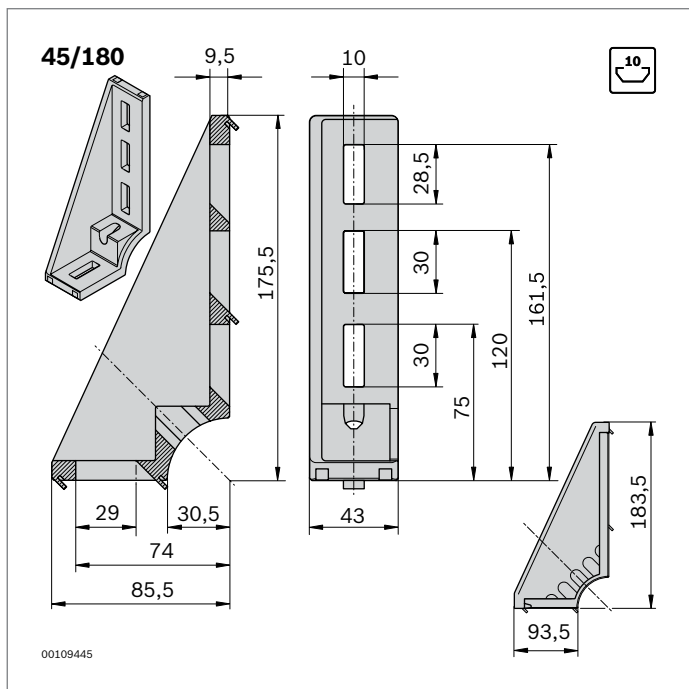
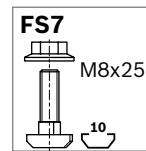




45/90	Slot	ESD		No.	FS
Set (standard)	10 / 10		1	<b>3 842 523 570</b>	4xFS7
<i>designLINE</i> set	10 / 10		1	<b>3 842 551 607</b>	4xFS7
Bracket (standard)	10		100	<b>3 842 523 567</b>	
Cover cap, signal gray			20	<b>3 842 548 864</b>	
Cover cap, black			20	<b>3 842 548 865</b>	

Material: Bracket: Diecast aluminum, vibratory ground  
*designLINE* bracket: painted (RAL 9006)  
 Cover cap: PP  
 Fastening material: steel; galvanized  
 Scope of delivery: set incl. fastening material (FS)

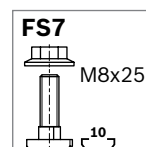
Type				
45/90	6000 N	180 Nm	400 Nm	60 Nm

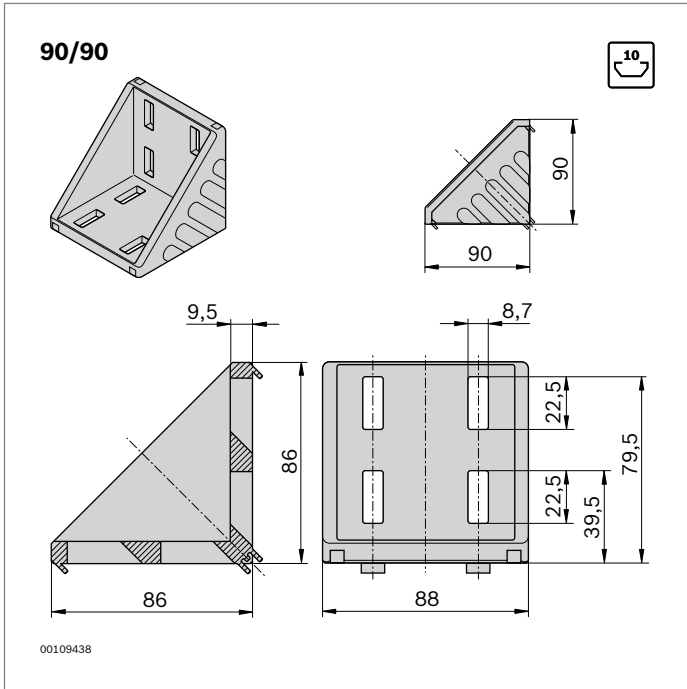







45/180	Slot	ESD		No.	FS
<i>designLINE</i> set	10 / 10		1	<b>3 842 551 608</b>	2xFS7
Bracket (standard)	10		20	<b>3 842 523 583</b>	
Cover cap, signal gray			20	<b>3 842 548 866</b>	
Cover cap, black			20	<b>3 842 548 867</b>	

Material: Bracket: Diecast aluminum, vibratory ground  
*designLINE* bracket: painted (RAL 9006)  
 Cover cap: PP  
 Fastening material: steel; galvanized  
 Scope of delivery: set incl. fastening material (FS)

Type			
45/180	9000 N	250 Nm	65 Nm



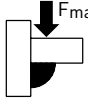
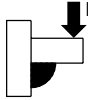
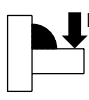



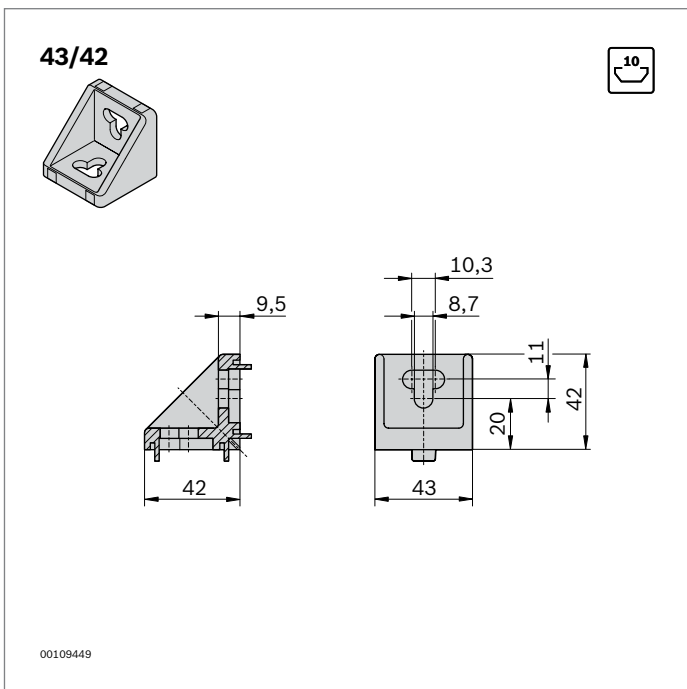
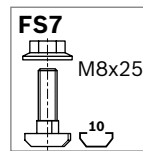
90/90	Slot	ESD		No.	FS
Set (standard)	10 / 10		1	<b>3 842 523 578</b>	8xFS7
<i>designLINE</i> set	10 / 10		1	<b>3 842 551 613</b>	8xFS7
Bracket (standard)	10		20	<b>3 842 523 575</b>	
Cover cap, signal gray			20	<b>3 842 548 868</b>	
Cover cap, black			20	<b>3 842 548 869</b>	




Material: Bracket: Diecast aluminum, vibratory ground  
*designLINE* bracket: painted (RAL 9006)  
 Cover cap: PP

Fastening material: steel; galvanized

Scope of delivery: set incl. fastening material (FS)

Type				
90/90	12000 N	370 Nm	800 Nm	200 Nm

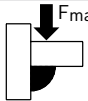
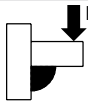
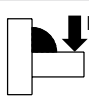
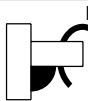


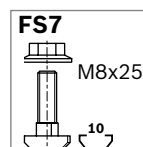
43x42	Slot	ESD		No.	FS
Set (standard)	10 / 10		1	<b>3 842 352 009</b>	2xFS7
Bracket (standard)	10		100	<b>3 842 348 526</b>	

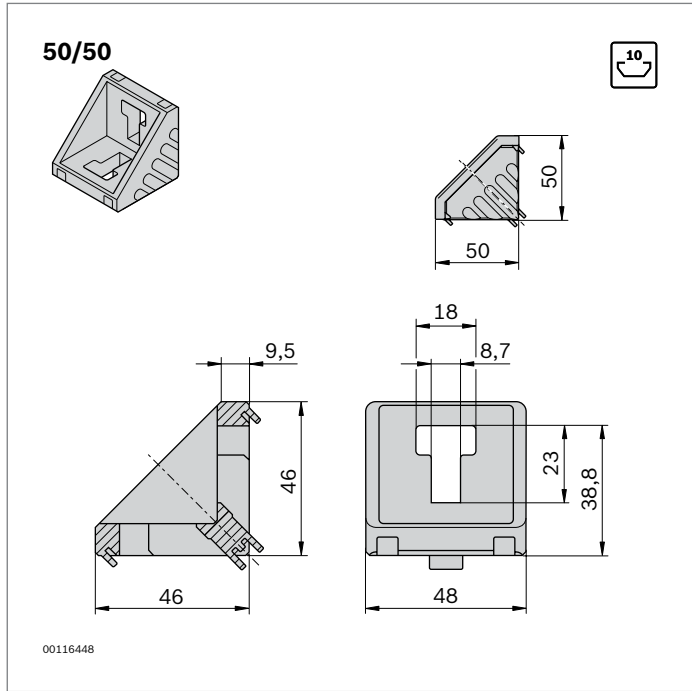
Material: Bracket: Die-cast aluminum

Fastening material: steel; galvanized

Scope of delivery: set incl. fastening material (FS)

Type				
43x42	2000 N	-	160 Nm	-

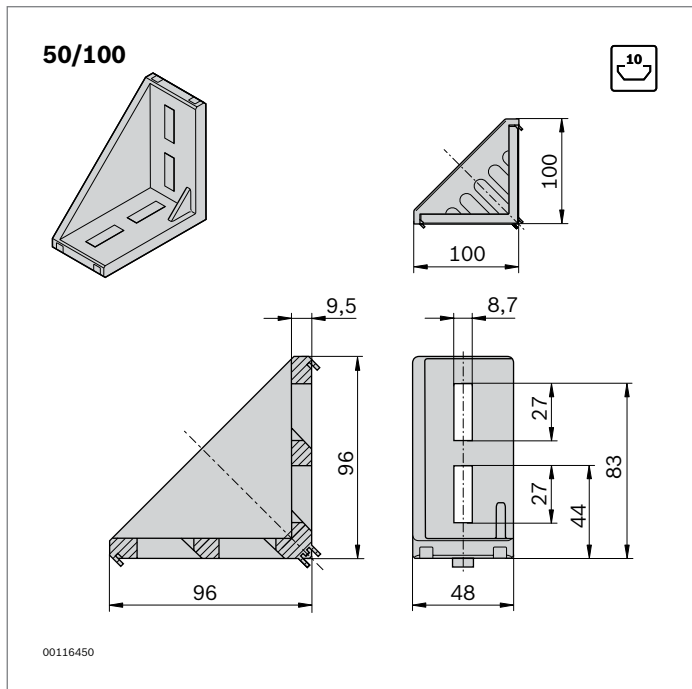
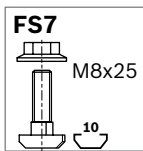




50/50	Slot	ESD		No.	FS
Set (standard)	10 / 10		1	<b>3 842 530 259</b>	2xFS7
Bracket (standard)	10		20	<b>3 842 530 381</b>	
Cover cap, signal gray			20	<b>3 842 548 870</b>	
Cover cap, black			20	<b>3 842 548 871</b>	

Material: Bracket: Diecast aluminum, vibratory ground  
 Cover cap: PP  
 Fastening material: steel; galvanized  
 Scope of delivery: set incl. fastening material (FS)

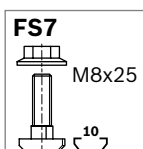
Type				
50/50	4000 N	125 Nm	250 Nm	38 Nm



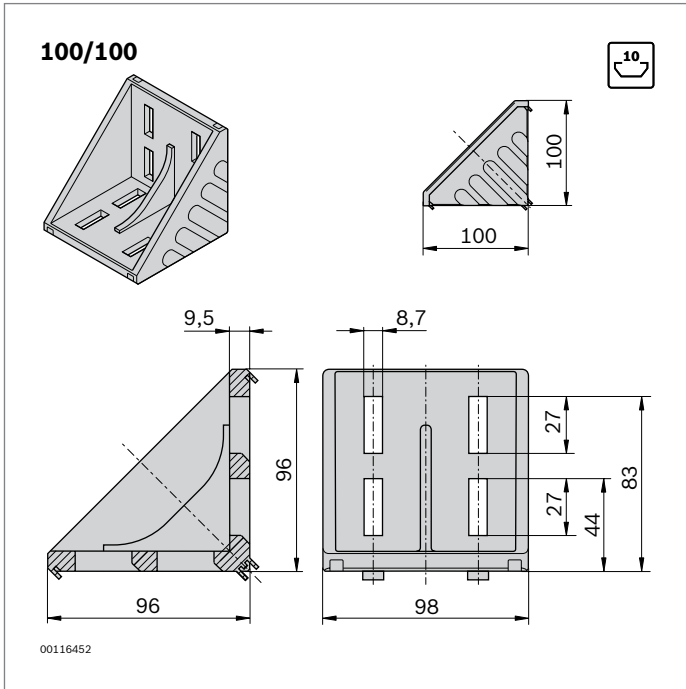
50/100	Slot	ESD		No.	FS
Set (standard)	10 / 10		1	<b>3 842 530 260</b>	4xFS7
Bracket (standard)	10		20	<b>3 842 530 382</b>	
Cover cap, signal gray			20	<b>3 842 548 872</b>	
Cover cap, black			20	<b>3 842 548 873</b>	

Material: Bracket: Diecast aluminum, vibratory ground  
 Cover cap: PP  
 Fastening material: steel; galvanized  
 Scope of delivery: set incl. fastening material (FS)

Type				
50/100	7500 N	300 Nm	600 Nm	73 Nm





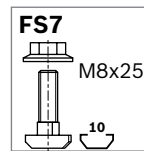


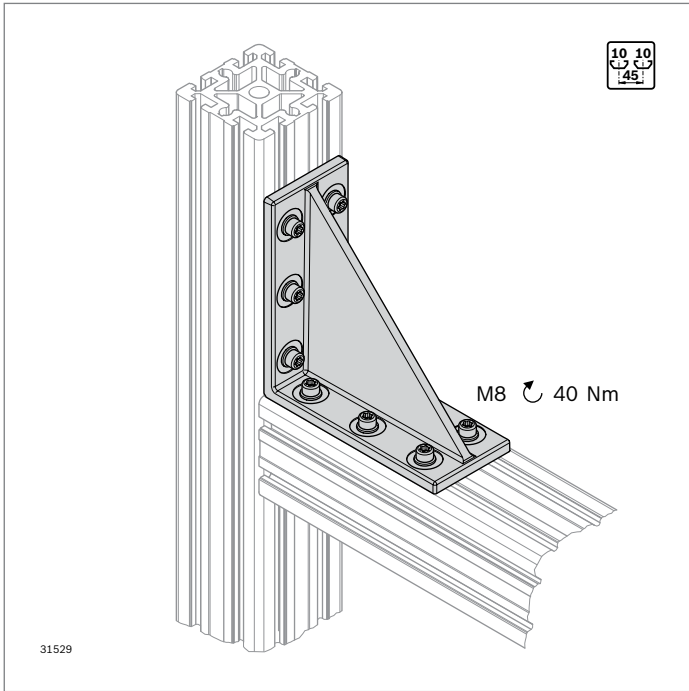
<b>100/100</b>	<b>Slot</b>	<b>ESD</b>		<b>No.</b>	<b>FS</b>
Set (standard)	10 / 10		1	<b>3 842 530 361</b>	8xFS7
Bracket (standard)	10		20	<b>3 842 530 460</b>	
Cover cap, signal gray			20	<b>3 842 548 874</b>	
Cover cap, black			20	<b>3 842 548 875</b>	

Material: Bracket: Diecast aluminum, vibratory ground  
 Cover cap: PP  
 Fastening material: steel; galvanized  
 Scope of delivery: set incl. fastening material (FS)

3

Type				
100/100	15000 N	550 Nm	1100 Nm	480 Nm



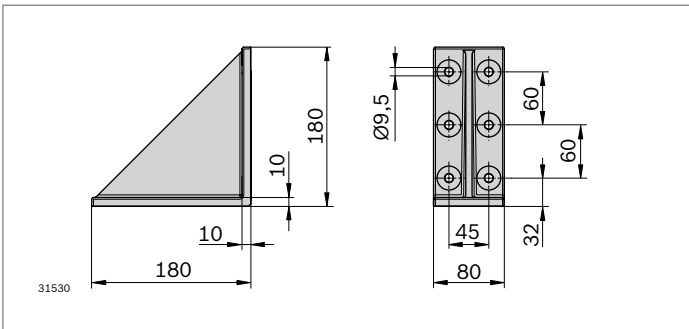


### Heavy-duty connector 180x180 dynamic load



- ▶ Heavy-duty connector for reliable absorption of high forces
- ▶ Can be used for both static and dynamic forces
- ▶ Connection possible in any position
- ▶ Profile finishing: not required
- ▶ Calculation program for static and dynamic forces included in MTpro planning software
- ▶ Focus profile: 90x90, 90x180, 90x360

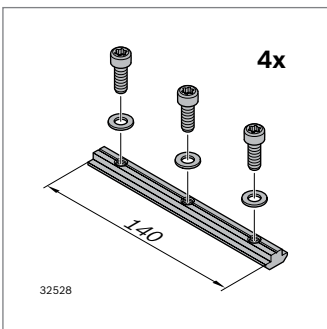
Required accessories:  
Mounting kit



180/180	Slot	ESD No.
	10	3 842 555 616

Material: Galvanized cast iron  
Scope of delivery: Bracket

Type				
180/180	30000 N	5600 Nm	5600 Nm	1400 Nm



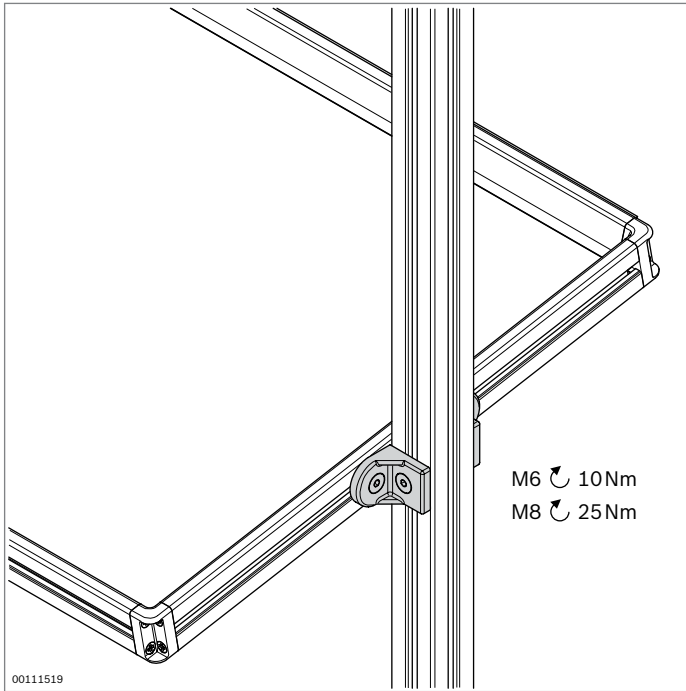
### Mounting kit

- ▶ For connecting a heavy-duty angle to a profile
- ▶ Set consists of 4 sliding blocks and 12 screws with washers

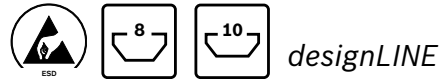
Mounting kit	Slot	M	ESD		No.
	10	8		Set	3 842 548 955

Material: Screws: steel; galvanized  
Sliding block: steel; galvanized  
Scope of delivery: 4 x sliding blocks, 12 x washers,  
12 x screws M8 10.9 microencapsulated

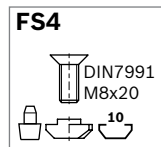
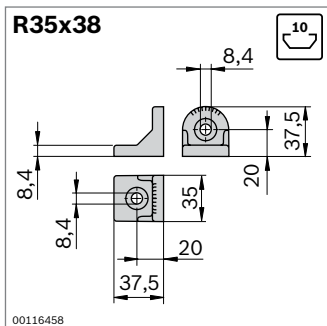
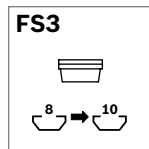
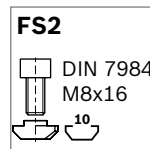
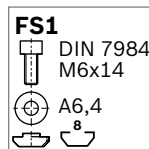
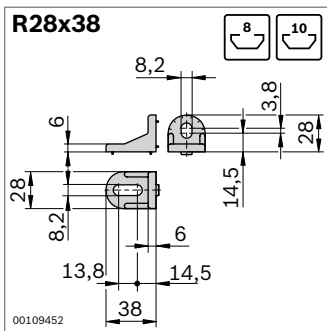
Slot	
10 (M8)	6000 ... 18000 N



## Bracket R



- ▶ For connecting profiles at any angle
- ▶ No protruding edges due to rounding of bracket
- ▶ Brackets with centering lugs for rapid, precise assembly with protection against turning
- ▶ Centering lugs can be easily broken off for assembly on plates or at right angles to the slot
- ▶ *designLINE* version with special silver paint (RAL 9006) for an attractive, high-quality design
- ▶ Profile finishing: not required

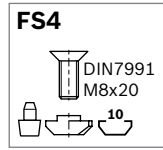
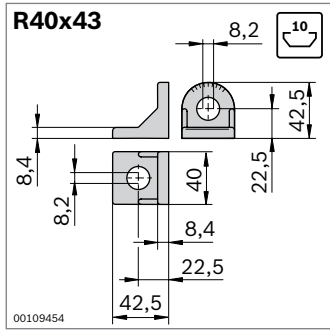


R28x38	Slot	ESD	No.	FS
Set (standard)	8 / 10		1	<b>3 842 515 547</b> FS1, FS2, 2xFS3
	10 / 10		1	<b>3 842 521 580</b> 2xFS2, 4xFS3
<i>designLINE</i> set	8 / 10		1	<b>3 842 538 703</b> FS1, FS2, 2xFS3
	10 / 10		1	<b>3 842 538 704</b> 2xFS2, 4xFS3
Bracket (standard)	8, 10		100	<b>3 842 515 473</b>

Material: Bracket: diecast zinc  
*designLINE*bracket: painted (RAL 9006)  
 Adapter: PA; black  
 Fastening material: steel; galvanized  
 Scope of delivery: set incl. fastening material (FS)

R35x38	Slot	ESD	No.	FS
Set (standard)	10 / 10		1	<b>3 842 532 274</b> 2xFS4
<i>designLINE</i> set	10 / 10		1	<b>3 842 538 705</b> 2xFS4
Bracket (standard)	10		100	<b>3 842 529 020</b>

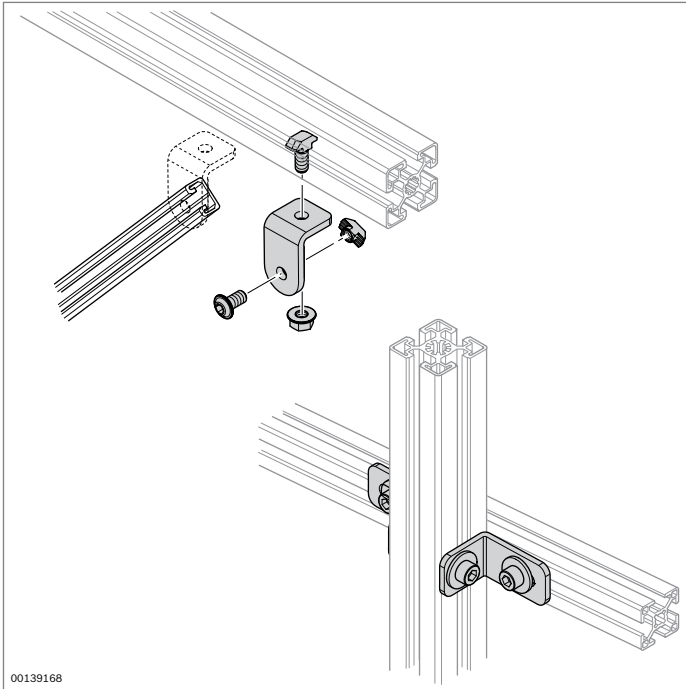
Material: Bracket: Die-cast aluminum  
*designLINE*bracket: painted (RAL 9006)  
 Centering bolts: PA6, black  
 Fastening material: steel; galvanized  
 Scope of delivery: set incl. fastening material (FS)



R40x43	Slot	ESD		No.	FS
Set (standard)	10 / 10		1	<b>3 842 518 424</b>	2xFS4
<i>designLINE</i> set	10 / 10		1	<b>3 842 538 706</b>	2xFS4
Bracket (standard)	10		100	<b>3 842 504 760</b>	

Material: Bracket: diecast zinc  
*designLINE* bracket: painted (RAL 9006)  
 Centering bolts: PA6, black  
 Fastening material: steel; galvanized

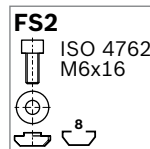
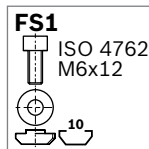
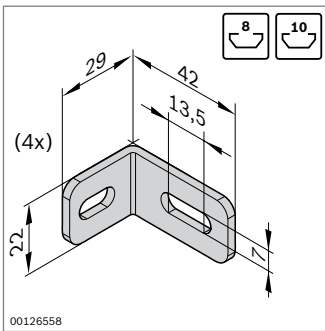
Scope of delivery: set incl. fastening material (FS)



### Steel bracket

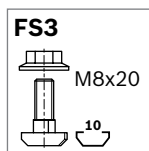
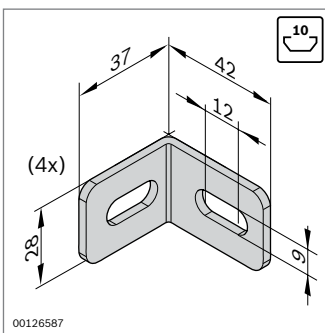


- ▶ Steel bracket without centering lugs for fastening at any angle
- ▶ Profile finishing: not required



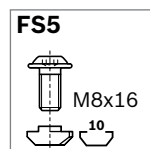
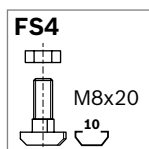
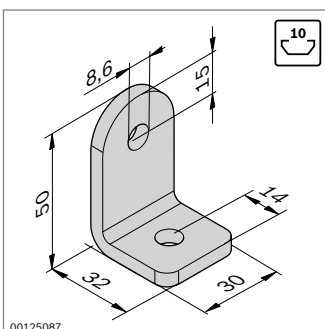
Bracket set	Slot	ESD	No.	FS
	8 / 10		4	3 842 537 862 4xFS1, 4xFS2

Material: steel; galvanized  
Fastening material: steel; galvanized  
Scope of delivery: set incl. fastening material (FS)



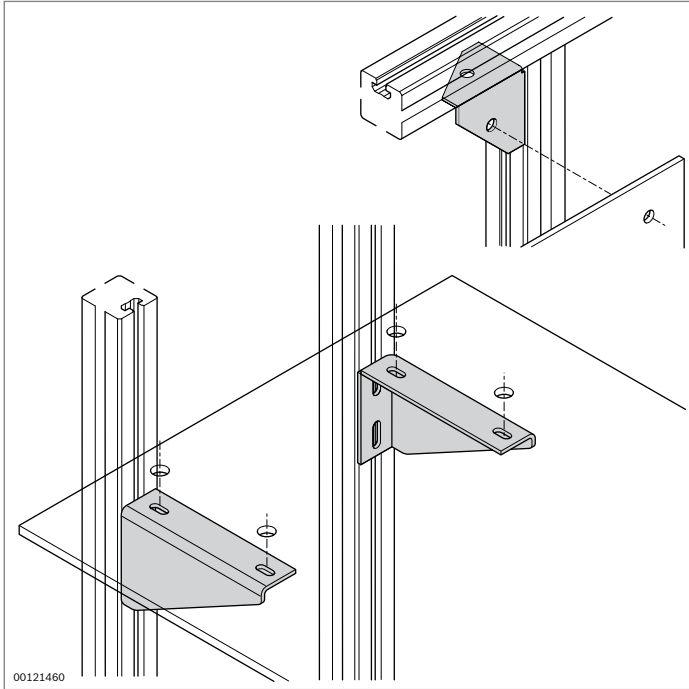
Bracket set	Slot	ESD	No.	FS
	10 / 10		4	3 842 537 861 8xFS3

Material: steel; galvanized  
Fastening material: steel; galvanized  
Scope of delivery: set incl. fastening material (FS)



Bracket set	Slot	ESD	No.	FS
	10 / 10		20	3 842 536 729 FS4, FS5

Material: steel; galvanized  
Fastening material: steel; galvanized  
Scope of delivery: set incl. fastening material (FS)



## Metal bracket Supporting bracket

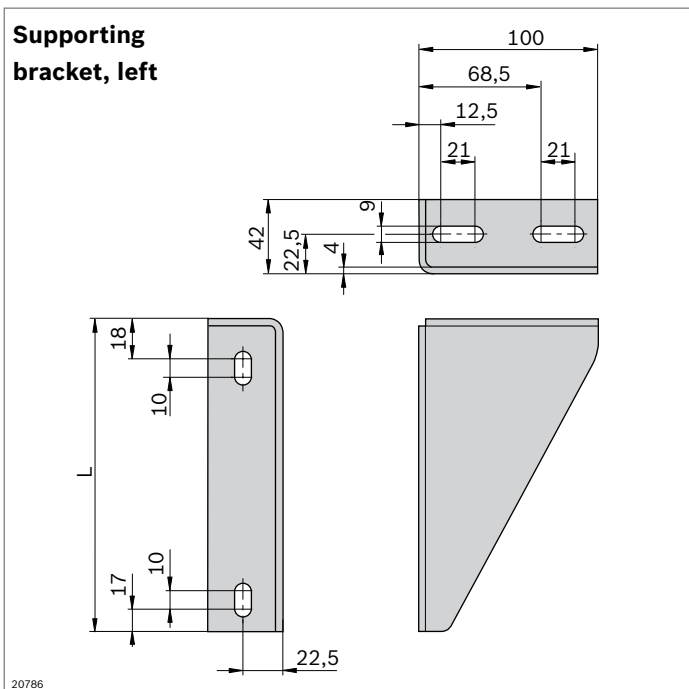
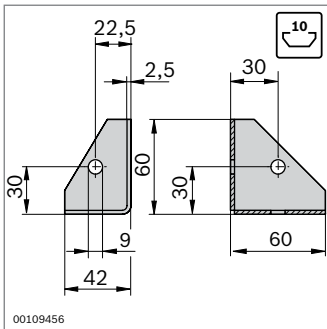


### Metal bracket

- ▶ Metal bracket for right-angled profile connections
- ▶ Surface elements can be screwed into the stiffening fin hole
- ▶ Profile finishing: not required

### Supporting bracket

- ▶ Supporting bracket for fastening surface elements to profiles, e.g. for shelves
- ▶ Profile finishing: not required



Metal bracket	ESD	No.
	20	<b>3 842 146 813</b>

Material: sheet steel; galvanized

Required accessories:

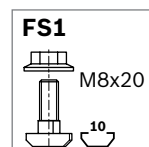
- ▶ T-bolt M8x20, 10 mm slot, **3 842 528 715** (p. 3-6)
- ▶ Flange nut M8, **3 842 345 081** (p. 3-6)

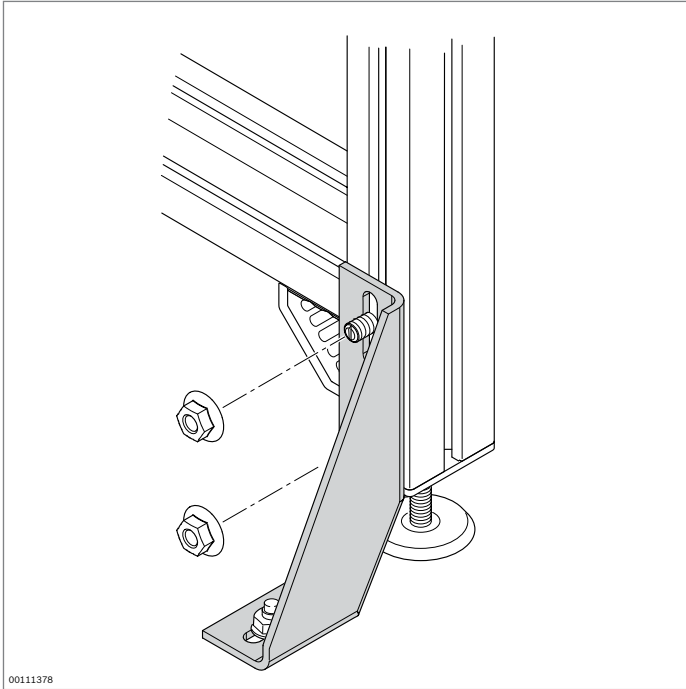
Supporting bracket	L (mm)	ESD	No.	FS
left	255	20	<b>3 842 536 119</b>	2xFS1
	335	20	<b>3 842 536 121</b>	2xFS1
	415	20	<b>3 842 536 123</b>	2xFS1
	495	20	<b>3 842 536 125</b>	2xFS1
right	255	20	<b>3 842 536 120</b>	2xFS1
	335	20	<b>3 842 536 122</b>	2xFS1
	415	20	<b>3 842 536 124</b>	2xFS1
	495	20	<b>3 842 536 126</b>	2xFS1

Material: sheet steel; powder-coated, RAL 7037

Fastening material: steel; galvanized

Scope of delivery: incl. fastening material (FS)





00111378

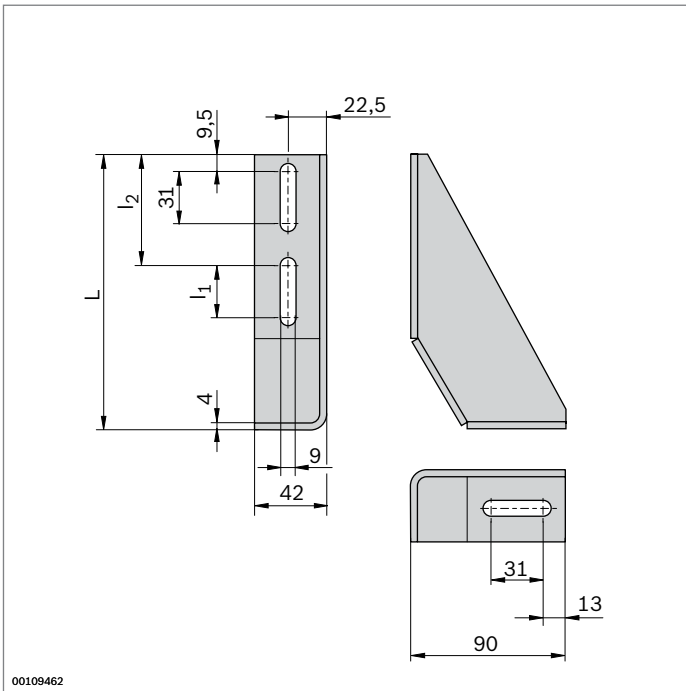
### Foundation bracket



- ▶ Foundation bracket for securing frames to the floor
- ▶ The drilled hole for the floor dowel can be made without removing the foundation bracket
- ▶ Profile finishing: not required

Required accessories:

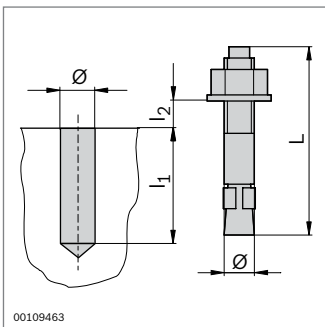
- ▶ T-bolt M8x20, 10 mm slot, **3 842 528 715** (p. 3-6)
- ▶ Flange nut M8, **3 842 345 081** (p. 3-6)
- ▶ Floor dowel



00109462

Foundation bracket	L (mm)	l <sub>1</sub> (mm)	l <sub>2</sub> (mm)		No.
	160	31	64.5	20	<b>3 842 146 815</b>
	210	91	54.5	20	<b>3 842 146 848</b>

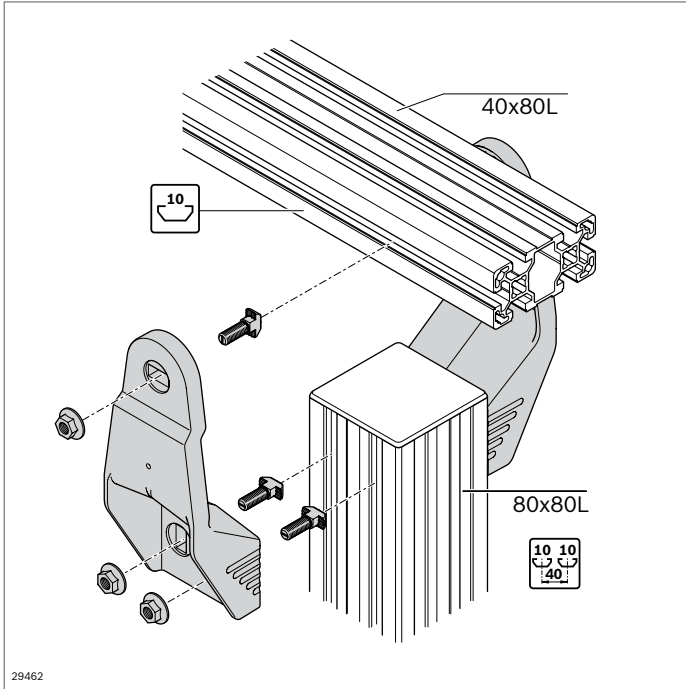
Material: sheet steel; galvanized



00109463

Floor dowel	Ø	L (mm)	l <sub>1</sub> (mm)	l <sub>2 max</sub> (mm)		No.
	8	80	65	15	100	<b>3 842 526 560</b>

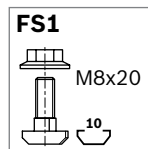
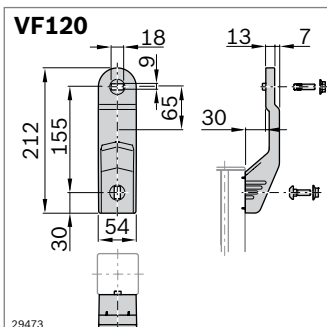
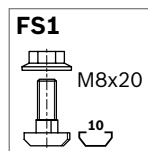
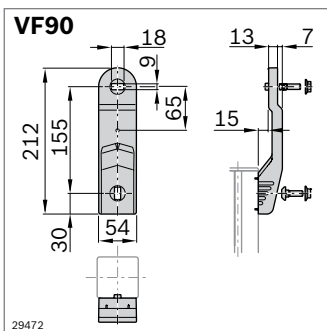
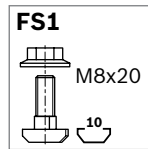
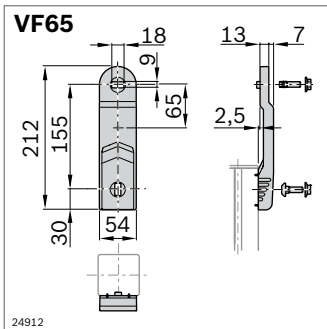
Material: steel; galvanized



## Holder AL



- ▶ For connecting profiles at right-angles to each other and with defined spacing, e.g. for floor supports made of 80x80L or 60x60 profiles
- ▶ Longitudinal connection possible in all profiles with 10 mm slot
- ▶ Transverse connection possible with 40 mm slot spacing
- ▶ Profile finishing: not required



Holder	b (mm)	A (mm)	No.	FS
<b>VFplus 65</b>	65	2.5	Set 3 842 546 625	8xFS1

Material: Holder: diecast aluminum; powder-coated (RAL 9006) Fastening material: steel; galvanized  
 Scope of delivery: 2 x holder, fastening material (FS)

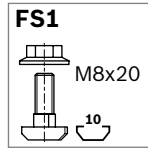
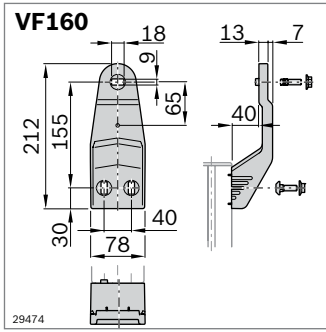
Holder	b (mm)	A (mm)	No.	FS
<b>VFplus 90</b>	90	15	Set 3 842 546 626	8xFS1

Material: Holder: diecast aluminum; powder-coated (RAL 9006) Fastening material: steel; galvanized  
 Scope of delivery: 2 x holder, fastening material (FS)

Holder	b (mm)	A (mm)	No.	FS
<b>VFplus 120</b>	120	30	Set 3 842 546 627	8xFS1

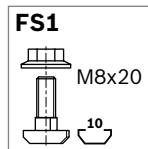
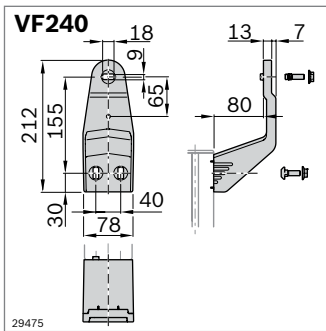
Material: Holder: diecast aluminum; powder-coated (RAL 9006) Fastening material: steel; galvanized  
 Scope of delivery: 2 x holder, fastening material (FS)





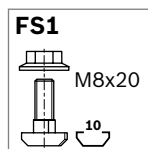
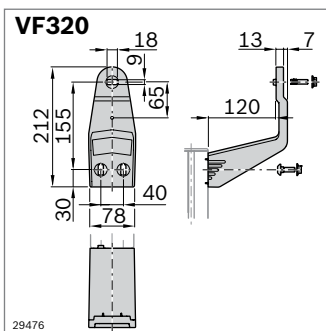
Holder	b (mm)	A (mm)		No.	FS
<b>VFplus 160</b>	160	40	Set	<b>3 842 546 628</b>	8xFS1

Material: Holder: diecast aluminum; powder-coated (RAL 9006) Fastening material: steel; galvanized  
 Scope of delivery: 2 x holder, fastening material (FS)



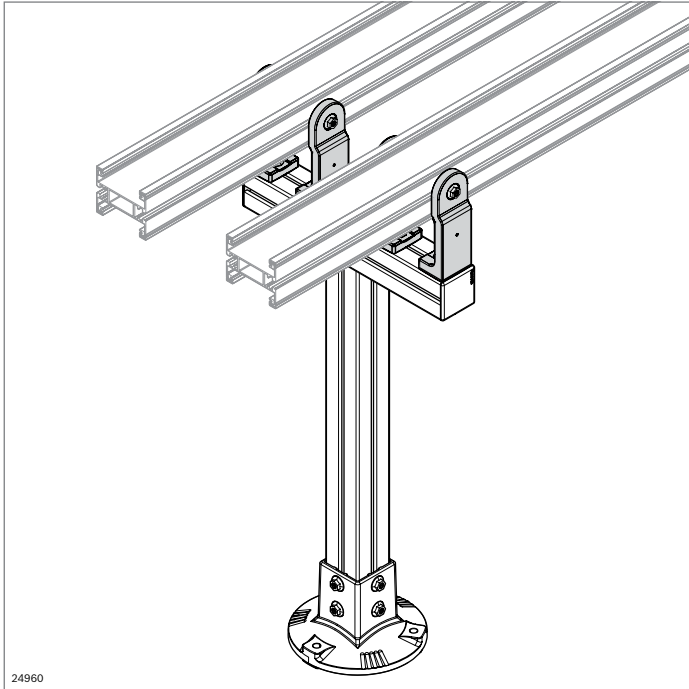
Holder	b (mm)	A (mm)		No.	FS
<b>VFplus 240</b>	240	80	Set	<b>3 842 546 629</b>	8xFS1

Material: Holder: diecast aluminum; powder-coated (RAL 9006) Fastening material: steel; galvanized  
 Scope of delivery: 2 x holder, fastening material (FS)



Holder	b (mm)	A (mm)		No.	FS
<b>VFplus 320</b>	320	120	Set	<b>3 842 546 630</b>	8xFS1

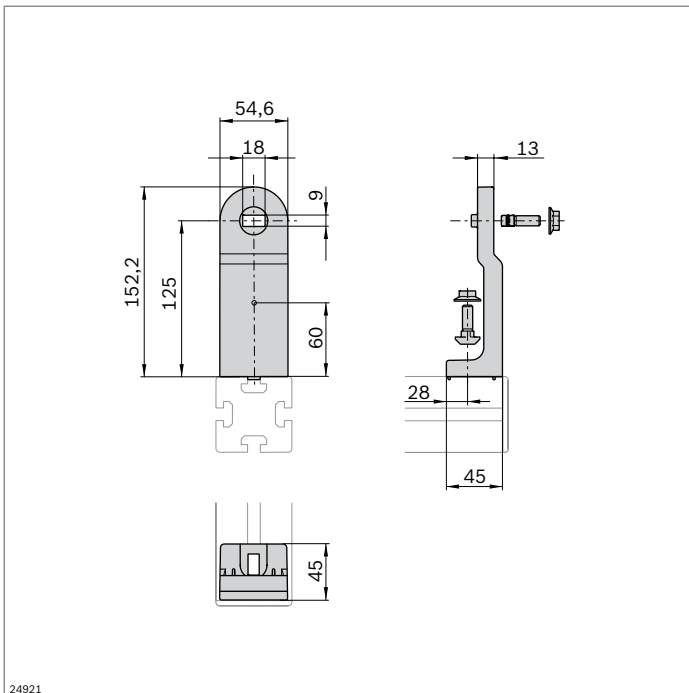
Material: Holder: diecast aluminum; powder-coated (RAL 9006)  
 Fastening material: steel; galvanized  
 Scope of delivery: 2 x holder, fastening material (FS)



### Supporting bracket AL



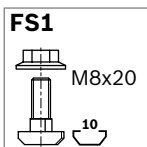
- ▶ Supporting bracket for connecting two profiles with defined spacing (approx. 2-3 m)
- ▶ Profile finishing: not required
- ▶ Centering lugs make centering the supporting brackets in the slot easy
- ▶ If the centering lugs are removed, the supporting bracket can also be used for upward and downward sloping sections (up to approx. 45° depending on the return chain)
- ▶ Very easy to assemble due to push-in screwed connection
- ▶ Easy-clean design with self-draining surfaces

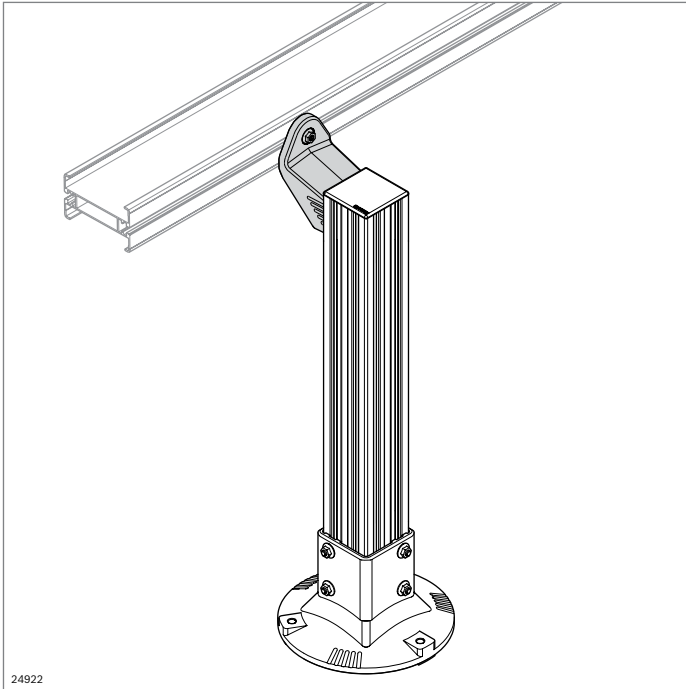


Supporting bracket VFplus AL	No.	FS
Set	3 842 546 632	6xFS1

Material: Holder: diecast aluminum, silver  
Fastening material: steel; galvanized

Scope of delivery: incl. fastening material (FS)



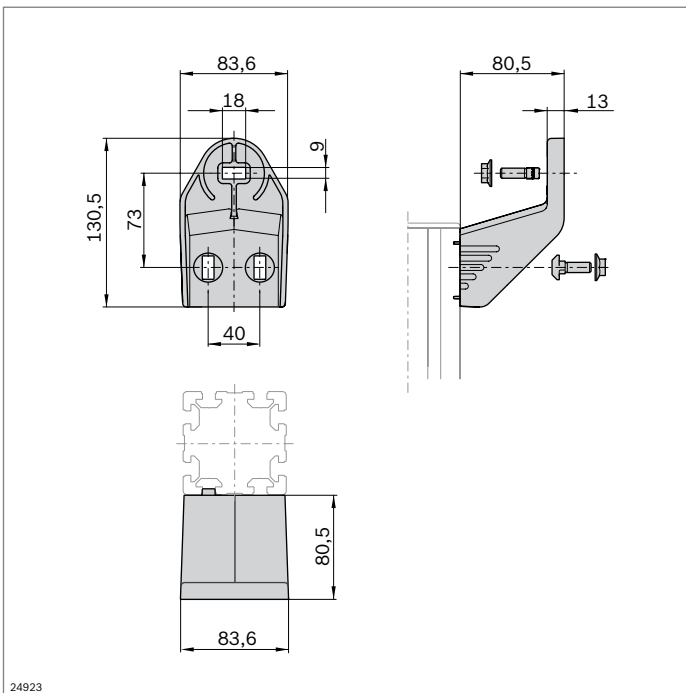


24922

### Supporting bracket AL, lateral



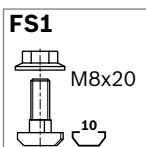
- ▶ Supporting bracket for connecting two profiles with defined spacing (approx. 2-3 m)
- ▶ Profile finishing: not required
- ▶ Centering lugs make centering the supporting brackets in the slot easy
- ▶ If the centering lugs are removed, the supporting bracket can also be used for upward and downward sloping sections (up to approx. 45° depending on the return chain)
- ▶ Designed for attachment to a vertical 80x80 strut profile

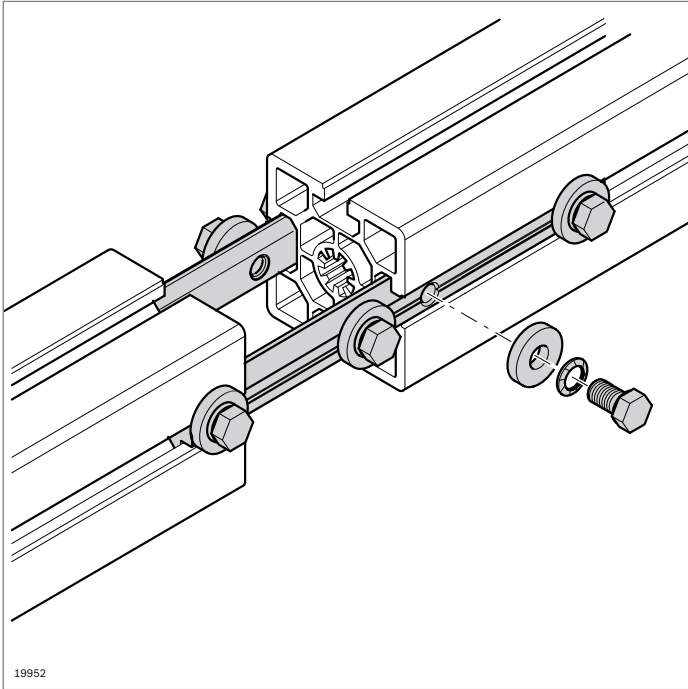


24923

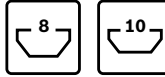
Supporting bracket VFplus lateral AL	No.	FS
Set	<b>3 842 547 461</b>	6xFS1

Material: Holder: diecast aluminum; powder-coated (RAL 9006)  
 Fastening material: steel; galvanized  
 Scope of delivery: incl. fastening material (FS)

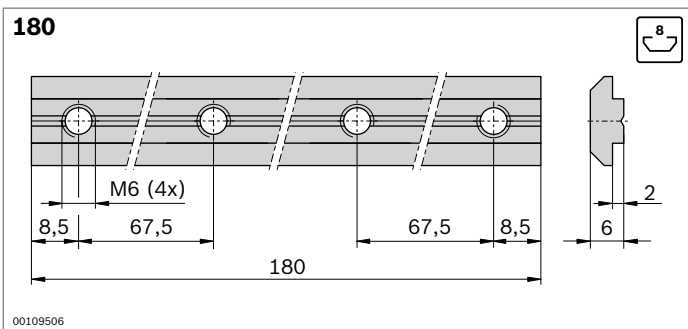
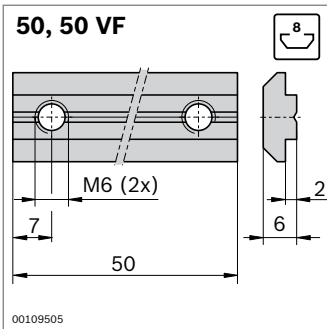




## Profile connector



- ▶ Profile connector for the end-face connection of any profiles
- ▶ For an especially strong connection: one profile connector per slot
- ▶ Profile finishing: not required



Profile connector	⌚ (Nm)	Slot	📦	No.	FS
50 VF	10	8	10	<b>3 842 536 787</b>	2xFS2
50	8,5	8	1	<b>3 842 518 427</b>	2xFS1

Material: galvanized steel, fastening material: steel;  
galvanized

Scope of delivery: incl. fastening material (FS)

### FS1



### FS2

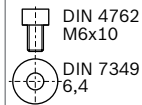


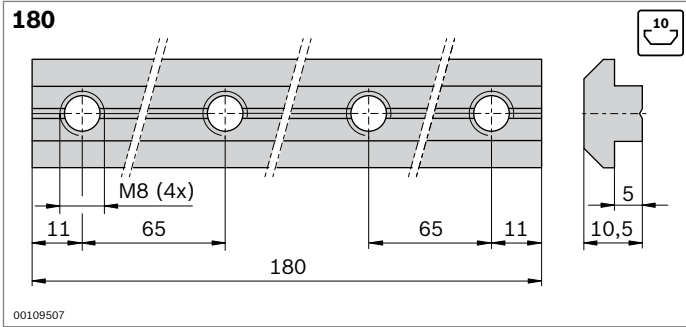
Profile connector	⌚ (Nm)	Slot	No.	FS
180	10	8	<b>3 842 521 216</b>	4xFS3

Material: galvanized steel, fastening material: steel;  
galvanized

Scope of delivery: incl. fastening material (FS)

### FS3

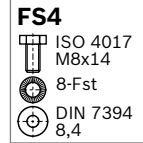




Profile connector	⌚ (Nm)	Slot	No.	FS
<b>180</b>	25	10	<b>3 842 528 746</b>	4xFS4

Material: galvanized steel, fastening material: steel; galvanized

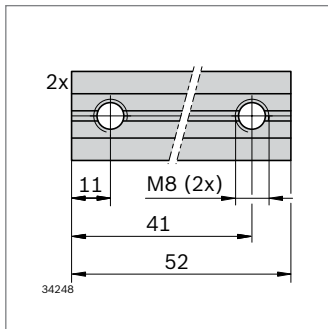
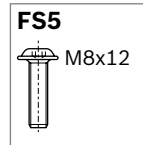
Scope of delivery: incl. fastening material (FS)

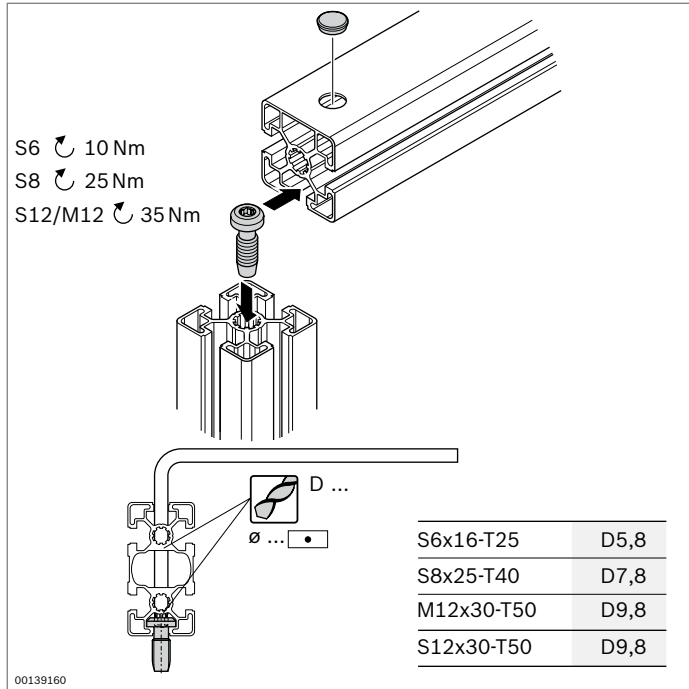


Connection kit	⌚ (Nm)	Slot	Set	No.	FS
	18	10	1	<b>3 842 529 881</b>	4xFS5

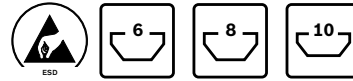
Material: galvanized steel, fastening material: steel; galvanized

Scope of delivery: Set (2 pieces) incl. fastening material





### Central bolt, anti-torsion element, cover cap

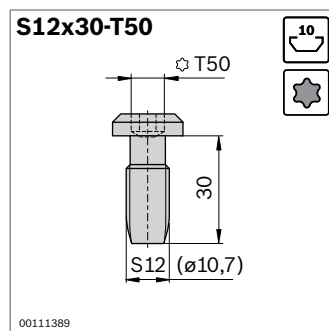
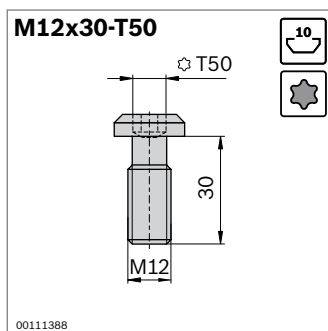
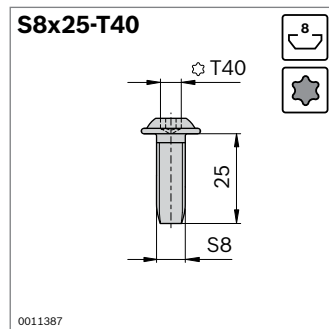
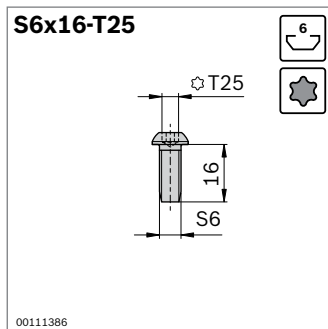


#### Central bolt

- ▶ Lowest-cost connecting element
- ▶ Self-tapping screw, can be mounted without profile finishing
- ▶ Profile finishing:
  - thread cutting for M12x30 screw
  - Through-hole for screwdriver/offset screwdriver

Tools:

Offset screwdriver (p. 14-6)



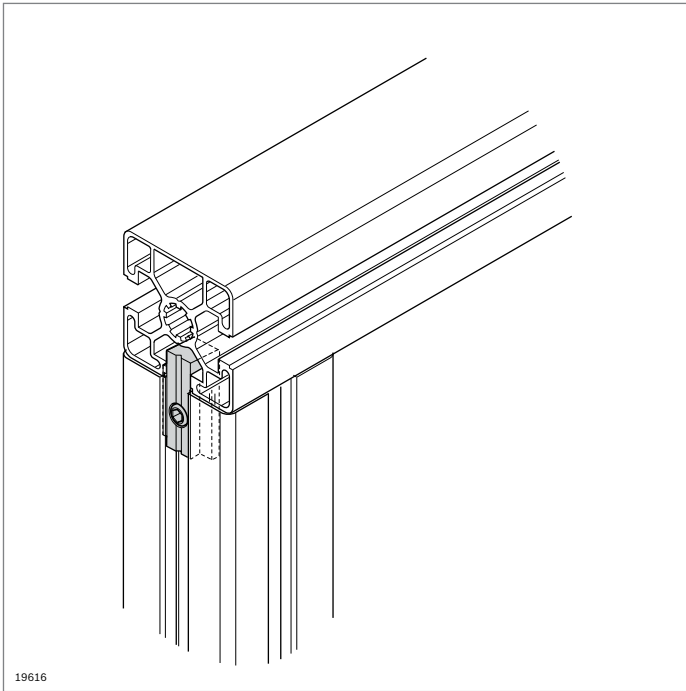
Central bolt	Slot	ESD	No.
<b>S6x16-T25</b> (self-tapping)	6	⚡	100 <b>3 842 528 593</b>
<b>S8x25-T40</b> (self-tapping)	8	⚡	100 <b>3 842 527 174</b>

Material: steel; galvanized

Central bolt	Slot	ESD	No.
<b>M12x30-T50</b>	10	⚡	100 <b>3 842 530 235</b>
<b>S12x30-T50</b> (self-tapping)	10	⚡	100 <b>3 842 530 236</b>

Material: steel; galvanized

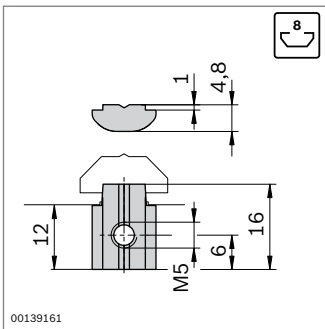
Size	$F_{max}$	$M_{max}$
S6	500 N	8 Nm
S8	800 N	43 Nm
S12	1300 N	80 Nm
M12	3000 N	80 Nm



**Anti-torsion element**

- ▶ Provides torsion resistance for profile connections with central bolts or quick connectors
- ▶ Subsequent installation in the connection possible

19616



00139161

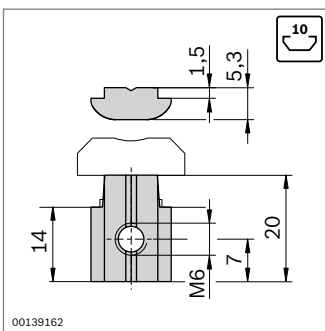
**FS1**



DIN 916  
M5x8

Anti-torsion element	Slot	No.	FS
	8	10	<b>3 842 530 325</b> FS1

Material: steel; galvanized  
Fastening material: steel; galvanized



00139162

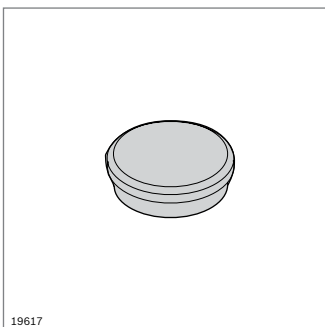
**FS2**



DIN 916  
M6x12

Anti-torsion element	Slot	No.	FS
	10	10	<b>3 842 530 326</b> FS2

Material: steel; galvanized  
Fastening material: steel; galvanized



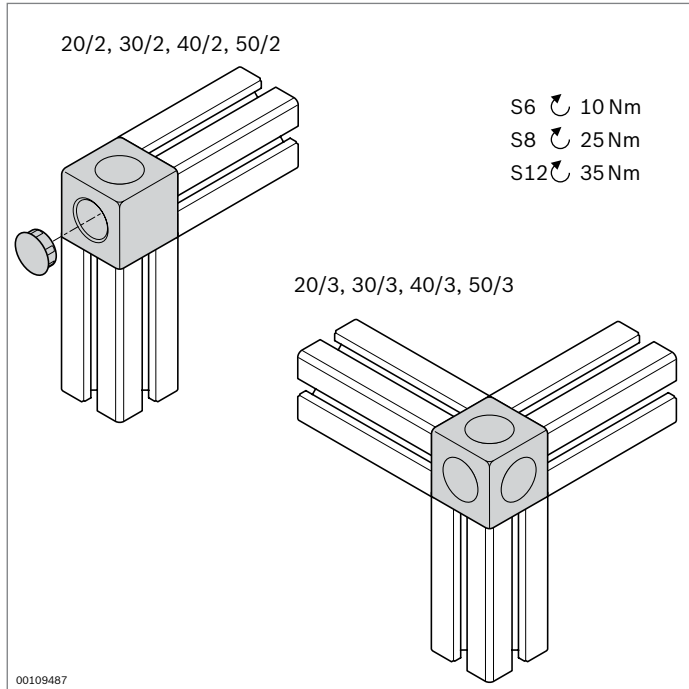
19617

**Cover cap**

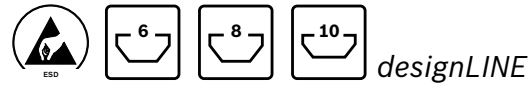
- ▶ For sealing through-holes in closed profiles

Cover cap	∅	No.
	5.8	100 <b>3 842 538 565</b>
	7.8	100 <b>3 842 538 566</b>
	9.8	100 <b>3 842 538 567</b>

Material: PA, light gray RAL 7035

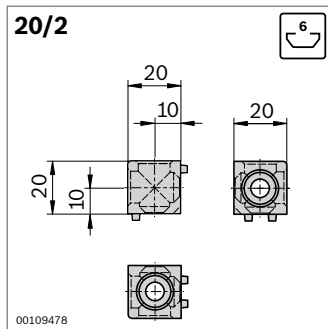


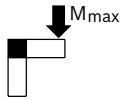
### Cubic connector

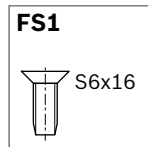








- ▶ For torsion-resistant corner connection of profiles with equal cross-sections
- ▶ *designLINE* version with special silver paint (RAL 9006) for an attractive, high-quality design
- ▶ Cover caps to cover the openings
- ▶ Screw fitting on profile with self-tapping screws
- ▶ Profile finishing: not required

Technical data (p. 19-8)



Type	 M <sub>max</sub>
20/2	18 Nm



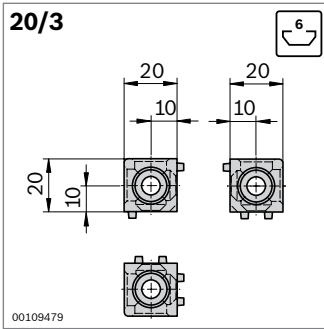
Cubic connector 20/2	Slot	ESD		No.	FS
Set (standard), signal gray	6	 *	1	<b>3 842 549 858</b>	2xFS1
Set <i>designLINE</i> , signal gray	6	 *	1	<b>3 842 549 859</b>	2xFS1
Cubic connector	6		20	<b>3 842 523 875</b>	
Cover cap	signal gray (PP)		100	<b>3 842 548 700</b>	
D12	black (PP)		100	<b>3 842 548 704</b>	
Countersunk screw S6x16	6		100	<b>3 842 517 132</b>	

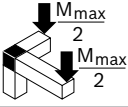
Material: Cubic connector: Die-cast aluminum  
*designLINE* cubic connector: painted (RAL 9006)  
 Fastening material: steel; galvanized

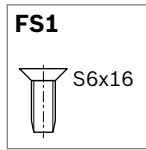
Scope of delivery: set incl. fastening material (FS), caps

Cubic connector creates conductive connection, but the cover caps included in the set are not ESD-compatible.





<b>Type</b>	
20/3	23 Nm

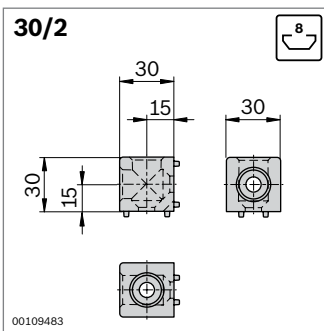


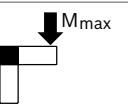
Cubic connector 20/3	Slot	ESD	No.	FS
Set (standard), signal gray	6		1	<b>3 842 549 860</b> 3xFS1
Set <i>designLINE</i> , signal gray	6		1	<b>3 842 549 861</b> 3xFS1
Cubic connector	6		20	<b>3 842 523 872</b>
Cover cap	signal gray (PP)		100	<b>3 842 548 700</b>
D12	black (PP)		100	<b>3 842 548 704</b>
Countersunk screw S6x16	6		100	<b>3 842 517 132</b>

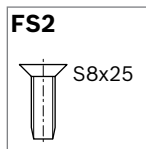
Material: Cubic connector: Die-cast aluminum  
*designLINE* cubic connector: painted (RAL 9006)  
 Fastening material: steel; galvanized

Scope of delivery: set incl. fastening material (FS), caps

Cubic connector creates conductive connection, but the cover caps included in the set are not ESD-compatible.



<b>Type</b>	
30/2	80 Nm

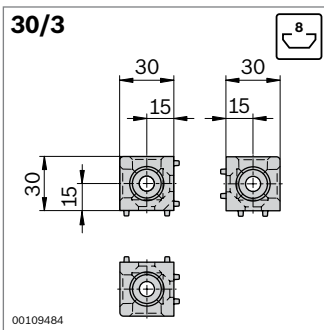


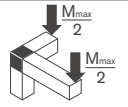
Cubic connector 30/2	Slot	ESD	No.	FS
Set (standard), signal gray	8		1	<b>3 842 549 862</b> 2xFS2
Set <i>designLINE</i> , signal gray	8		1	<b>3 842 549 863</b> 2xFS2
Cubic connector	8		20	<b>3 842 523 876</b>
Cover cap	signal gray (PP)		100	<b>3 842 548 701</b>
D18	black (PP)		100	<b>3 842 548 705</b>
Countersunk screw S8x25	8		100	<b>3 842 517 543</b>

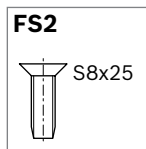
Material: Cubic connector: Die-cast aluminum  
*designLINE* cubic connector: painted (RAL 9006)  
 Fastening material: steel; galvanized

Scope of delivery: set incl. fastening material (FS), caps

Cubic connector creates conductive connection, but the cover caps included in the set are not ESD-compatible.



<b>Type</b>	
30/3	85 Nm

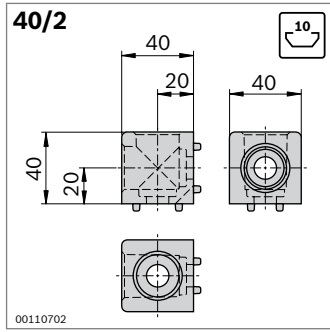


Cubic connector 30/3	Slot	ESD	No.	FS
Set (standard), signal gray	8		1	<b>3 842 549 864</b> 3xFS2
Set <i>designLINE</i> , signal gray	8		1	<b>3 842 549 865</b> 3xFS2
Cubic connector	8		20	<b>3 842 523 873</b>
Cover cap	signal gray (PP)		100	<b>3 842 548 701</b>
D18	black (PP)		100	<b>3 842 548 705</b>
Countersunk screw S8x25	8		100	<b>3 842 517 543</b>

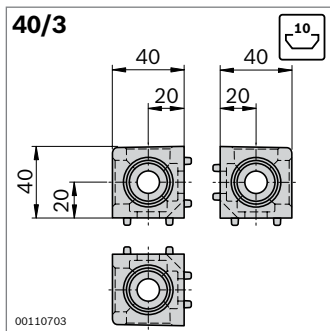
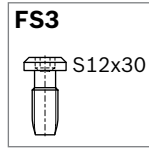
Material: Cubic connector: Die-cast aluminum  
*designLINE* cubic connector: painted (RAL 9006)  
 Fastening material: steel; galvanized

Scope of delivery: set incl. fastening material (FS), caps

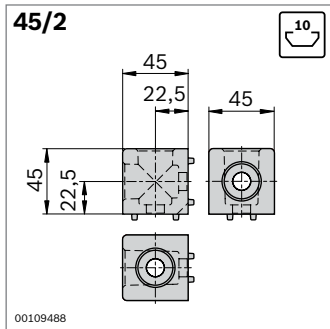
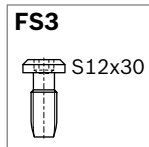
Cubic connector creates conductive connection, but the cover caps included in the set are not ESD-compatible.



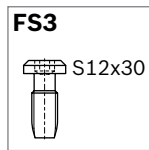
<b>Type</b>	
40/2	60 Nm



<b>Type</b>	
40/3	70 Nm



<b>Type</b>	
45/2	45x45L 150 Nm
	45x45 200 Nm



Cubic connector 40/2	Slot	ESD	No.	FS
Set (standard), signal gray	10	⚡*	1	3 842 549 866 2xFS3
Set <i>designLINE</i> , signal gray	10	⚡*	1	3 842 549 867 2xFS3
Cubic connector	10	⚡	20	3 842 529 010
Cover cap	signal gray (PP)		100	3 842 548 702
D24	black (PP)	⚡	100	3 842 548 706
Screw S12x30	10	⚡	100	3 842 530 236

Material: Cubic connector: Die-cast aluminum  
*designLINE* cubic connector: painted (RAL 9006)  
 Fastening material: steel; galvanized

Scope of delivery: set incl. fastening material (FS), caps

Cubic connector creates conductive connection, but the cover caps included in the set are not ESD-compatible.

Cubic connector 40/3	Slot	ESD	No.	FS
Set (standard), signal gray	10	⚡*	1	3 842 549 868 3xFS3
Set <i>designLINE</i> , signal gray	10	⚡*	1	3 842 549 869 3xFS3
Cubic connector	10	⚡	20	3 842 529 011
Cover cap	signal gray (PP)		100	3 842 548 702
D24	black (PP)	⚡	100	3 842 548 706
Screw S12x30	10	⚡	100	3 842 530 236

Material: Cubic connector: Die-cast aluminum  
*designLINE* cubic connector: painted (RAL 9006)  
 Fastening material: steel; galvanized

Scope of delivery: set incl. fastening material (FS), caps

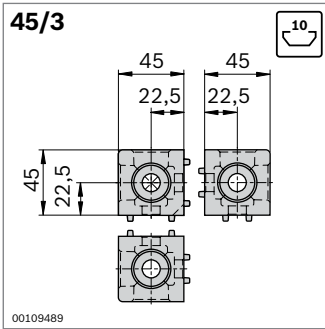
Cubic connector creates conductive connection, but the cover caps included in the set are not ESD-compatible.

Cubic connector 45/2	Slot	ESD	No.	FS
Set (standard), signal gray	10	⚡*	1	3 842 549 870 2xFS3
Set <i>designLINE</i> , signal gray	10	⚡*	1	3 842 549 871 2xFS3
Cubic connector	10	⚡	20	3 842 523 877
Cover cap	signal gray (PP)		100	3 842 548 702
D24	black (PP)	⚡	100	3 842 548 706
Screw S12x30	10	⚡	100	3 842 530 236

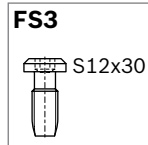
Material: Cubic connector: Die-cast aluminum  
*designLINE* cubic connector: painted (RAL 9006)  
 Fastening material: steel; galvanized

Scope of delivery: set incl. fastening material (FS), caps

Cubic connector creates conductive connection, but the cover caps included in the set are not ESD-compatible.



Type		
45/3	45x45L	170 Nm
	45x45	240 Nm

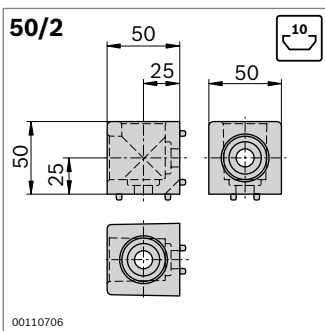


Cubic connector 45/3	Slot	ESD		No.	FS
Set (standard), signal gray	10		1	<b>3 842 549 872</b>	3xFS3
Set <i>designLINE</i> , signal gray	10		1	<b>3 842 549 873</b>	3xFS3
Cubic connector	10		20	<b>3 842 523 874</b>	
Cover cap	signal gray (PP)		100	<b>3 842 548 702</b>	
D24	black (PP)		100	<b>3 842 548 706</b>	
Screw S12x30	10		100	<b>3 842 530 236</b>	

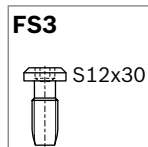
Material: Cubic connector: Die-cast aluminum  
*designLINE* cubic connector: painted (RAL 9006)  
 Fastening material: steel; galvanized

Scope of delivery: set incl. fastening material (FS), caps

Cubic connector creates conductive connection, but the cover caps included in the set are not ESD-compatible.



Type		
50/2		120 Nm

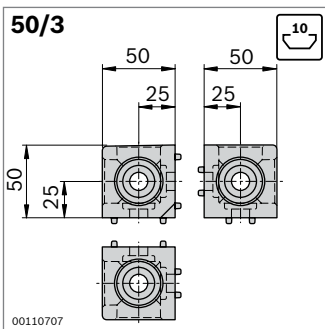


Cubic connector 50/2	Slot	ESD		No.	FS
Set (standard), signal gray	10		1	<b>3 842 549 874</b>	2xFS3
Cubic connector	10		20	<b>3 842 529 012</b>	
Cover cap	signal gray (PP)		100	<b>3 842 548 703</b>	
D30	black (PP)		100	<b>3 842 548 707</b>	
Screw S12x30	10		100	<b>3 842 530 236</b>	

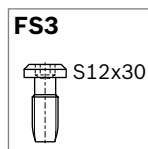
Material: Cubic connector: Die-cast aluminum  
 Fastening material: steel; galvanized

Scope of delivery: set incl. fastening material (FS), caps

Cubic connector creates conductive connection, but the cover caps included in the set are not ESD-compatible.



Type		
50/3		140 Nm

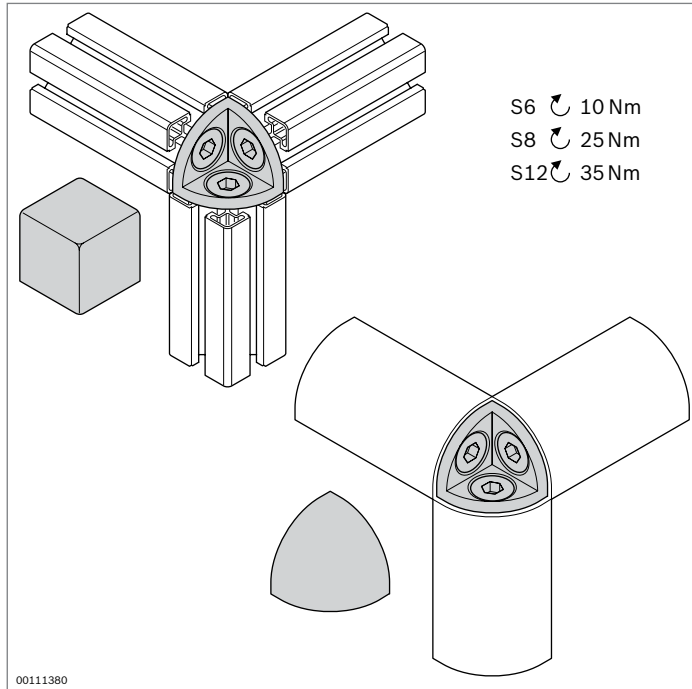


Cubic connector 50/3	Slot	ESD		No.	FS
Set (standard), signal gray	10		1	<b>3 842 549 876</b>	3xFS3
Cubic connector	10		20	<b>3 842 529 013</b>	
Cover cap	signal gray (PP)		100	<b>3 842 548 703</b>	
D30	black (PP)		100	<b>3 842 548 707</b>	
Screw S12x30	10		100	<b>3 842 530 236</b>	

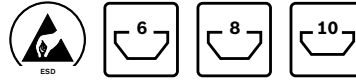
Material: Cubic connector: Die-cast aluminum  
 Fastening material: steel; galvanized

Scope of delivery: set incl. fastening material (FS), caps

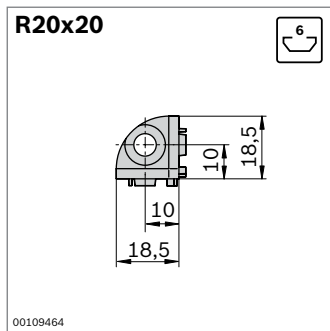
Cubic connector creates conductive connection, but the cover caps included in the set are not ESD-compatible.



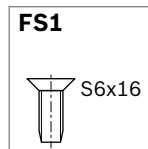
### Corner bracket



- ▶ Corner bracket for corner connection of 3 square or half-round profiles with equal cross-sections
- ▶ Screw fastening on profile with self-tapping screws
- ▶ Spherical or cubic cover caps to provide protection from injury and to prevent soiling
- ▶ Profile finishing: not required



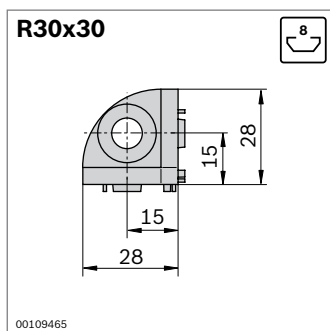
<b>Type</b>	 20/3	$\frac{M_{max}}{2}$ $\frac{M_{max}}{2}$ 23 Nm
-------------	----------	---



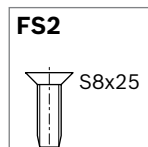
<b>R20x20</b>	<b>Slot</b>	<b>ESD</b>		<b>No.</b>	<b>FS</b>
Corner bracket	6		1	<b>3 842 519 318</b>	3xFS1
Cover cap K (ball)	signal gray (PP)		10	<b>3 842 548 708</b>	
	black (PP)		10	<b>3 842 548 712</b>	
Cover cap W (cube)	signal gray (PP)		10	<b>3 842 548 716</b>	
	black (PP)		10	<b>3 842 548 720</b>	

Material: Corner bracket: diecast zinc  
Fastening material: steel; galvanized

Scope of delivery: incl. fastening material (FS)



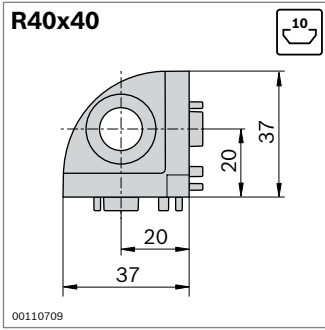
<b>Type</b>	 30/3	$\frac{M_{max}}{2}$ $\frac{M_{max}}{2}$ 85 Nm
-------------	----------	---



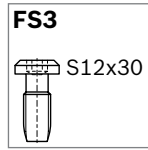
<b>R30x30</b>	<b>Slot</b>	<b>ESD</b>		<b>No.</b>	<b>FS</b>
Corner bracket	8		1	<b>3 842 519 319</b>	3xFS2
Cover cap K (ball)	signal gray (PP)		10	<b>3 842 548 709</b>	
	black (PP)		10	<b>3 842 548 713</b>	
Cover cap W (cube)	signal gray (PP)		10	<b>3 842 548 717</b>	
	black (PP)		10	<b>3 842 548 721</b>	

Material: Corner bracket: diecast zinc  
Fastening material: steel; galvanized

Scope of delivery: incl. fastening material (FS)

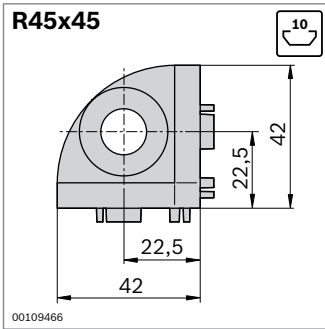


Type	
40/3	70 Nm

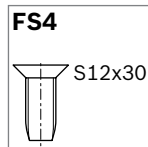


R40x40	Slot	ESD		No.	FS
Corner bracket	10		1	<b>3 842 529 404</b>	3xFS3
Cover cap K (ball)	signal gray (PP)			10	<b>3 842 548 710</b>
					10
Cover cap W (cube)	signal gray (PP)			10	<b>3 842 548 718</b>
					10

Material: Corner bracket: diecast zinc  
Fastening material: steel; galvanized  
Scope of delivery: incl. fastening material (FS)

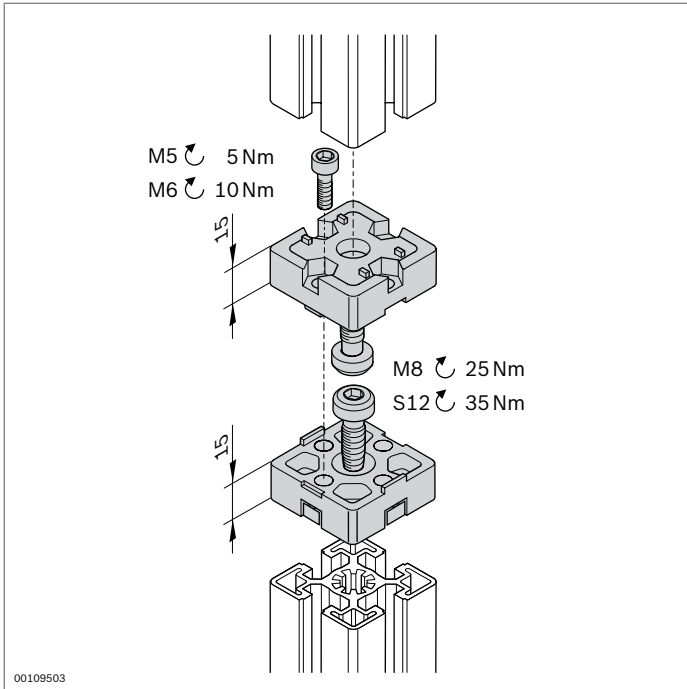


Type	
45/3	45x45L 170 Nm
	45x45 240 Nm

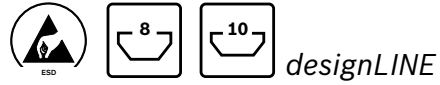


R45x45	Slot	ESD		No.	FS
Corner bracket	10		1	<b>3 842 519 321</b>	3xFS4
Cover cap K (ball)	signal gray (PP)			10	<b>3 842 548 711</b>
					10
Cover cap W (cube)	signal gray (PP)			10	<b>3 842 548 719</b>
					10

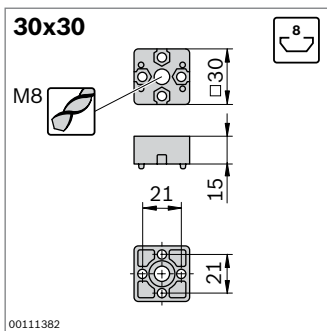
Material: Corner bracket: diecast zinc  
Fastening material: steel; galvanized  
Scope of delivery: incl. fastening material (FS)



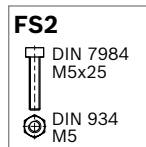
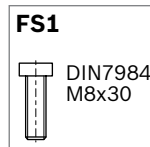
## End connector



- ▶ For end-to-end profile connections
- ▶ *designLINE* version with special silver paint (RAL 9006) for an attractive, high-quality design
- ▶ Profile finishing:
  - 30x30: M8 thread cutting in central bores
  - 40x40, 45x45, 50x50: not required



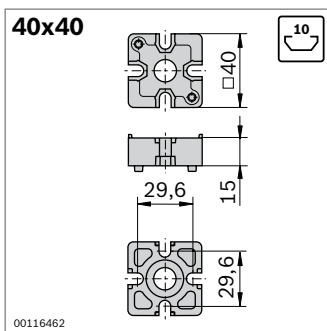
<b>Type</b>	
30x30	81 Nm



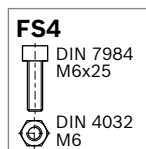
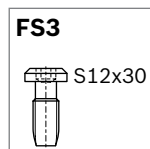
End connector	Slot	ESD	No.	FS
<b>30x30 Set (standard)</b>	8		<b>3 842 526 003</b>	2xFS1, 4xFS2
<i>designLINE set</i>	8		<b>3 842 538 656</b>	2xFS1, 4xFS2

Material: End connector: Die-cast aluminum  
*designLINE* end connector: painted (RAL 9006)  
 Fastening material: steel; galvanized

Scope of delivery: set incl. fastening material (FS)



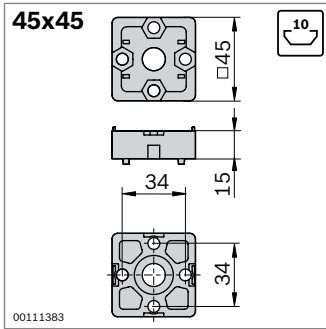
<b>Type</b>	
40x40	170 Nm



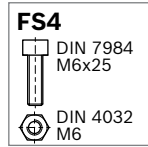
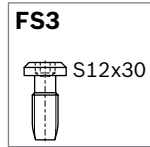
End connector	Slot	ESD	No.	FS
<b>40x40 Set (standard)</b>	10		<b>3 842 532 196</b>	2xFS3, 4xFS4
<i>designLINE set</i>	10		<b>3 842 538 657</b>	2xFS3, 4xFS4

Material: End connector: Die-cast aluminum  
*designLINE* end connector: painted (RAL 9006)  
 Fastening material: steel; galvanized

Scope of delivery: set incl. fastening material (FS)



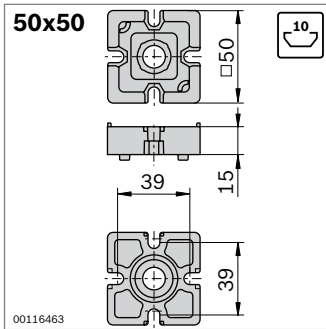
<b>Type</b>	
45x45	200 Nm



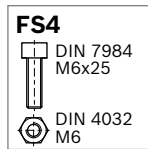
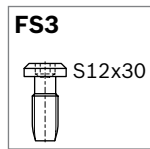
End connector	Slot	ESD No.	FS
<b>45x45</b> Set (standard)	10		<b>3 842 191 175</b> 2xFS3, 4xFS4
<i>designLINE</i> set	10		<b>3 842 538 658</b> 2xFS3, 4xFS4

Material: End connector: diecast zinc  
*designLINE* end connector: painted (RAL 9006)  
Fastening material: steel; galvanized

Scope of delivery: set incl. fastening material (FS)



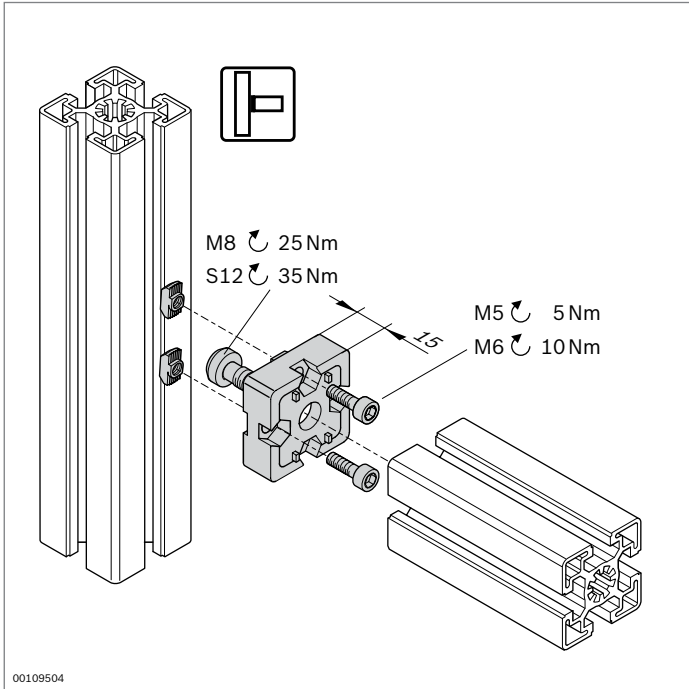
<b>Type</b>	
50x50	180 Nm



End connector	Slot	ESD No.	FS
<b>50x50</b> Set (standard)	10		<b>3 842 532 199</b> 2xFS3, 4xFS4

Material: End connector: diecast zinc  
Fastening material: steel; galvanized

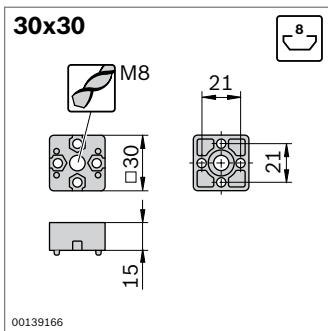
Scope of delivery: set incl. fastening material (FS)



### T-connector

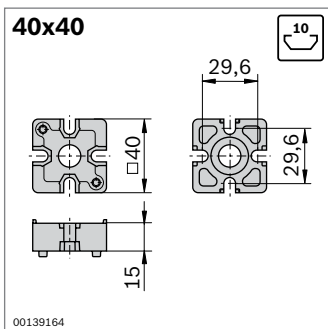


- ▶ For right-angled profile connections
- ▶ *designLINE* version with special silver paint (RAL 9006) for an attractive, high-quality design
- ▶ Profile finishing:
  - 30x30: M8 thread cutting in central bores
  - 40x40, 45x45, 50x50: not required



Type	$F_{max}$	$M_{max}$
30x30	4000 N	80 Nm

FS1	FS2
DIN7984 M8x30	DIN 7984 M5x16



Type	$F_{max}$	$M_{max}$
40x40	9000 N	150 Nm

FS3	FS4
S12x30	DIN 7984 M6x20

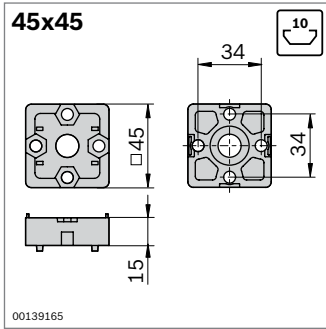
T-connector	Slot	ESD	No.	FS
30x30 Set (standard)	8	⚡	3 842 524 476	1xFS1, 2xFS2
<i>designLINE</i> set	8	⚡	3 842 538 696	1xFS1, 2xFS2

Material: T-connector: Die-cast aluminum  
*designLINE* T-connector: painted (RAL 9006)  
 Fastening material: steel; galvanized  
 Scope of delivery: set incl. fastening material (FS)

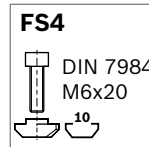
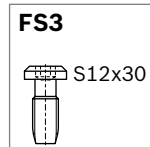
T-connector	Slot	ESD	No.	FS
40x40 Set (standard)	10	⚡	3 842 532 195	1xFS3, 2xFS4
<i>designLINE</i> set	10	⚡	3 842 538 697	1xFS3, 2xFS4

Material: T-connector: Die-cast aluminum  
*designLINE* T-connector: painted (RAL 9006)  
 Fastening material: steel; galvanized  
 Scope of delivery: set incl. fastening material (FS)





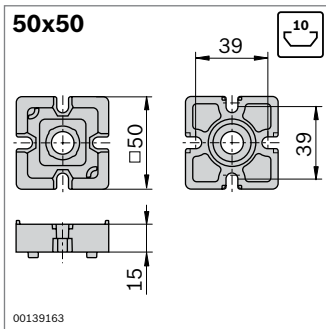
Type		
45x45	9000 N	200 Nm



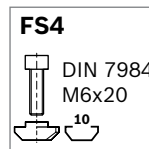
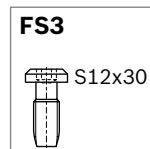
T-connector	Slot	ESD	No.	FS
<b>45x45</b> Set (standard)	10		<b>3 842 520 802</b>	1xFS3, 2xFS4
<i>designLINE</i> set	10		<b>3 842 538 698</b>	1xFS3, 2xFS4

Material: T-connector: diecast zinc  
*designLINE* T-connector: painted (RAL 9006)  
Fastening material: steel; galvanized

Scope of delivery: set incl. fastening material (FS)



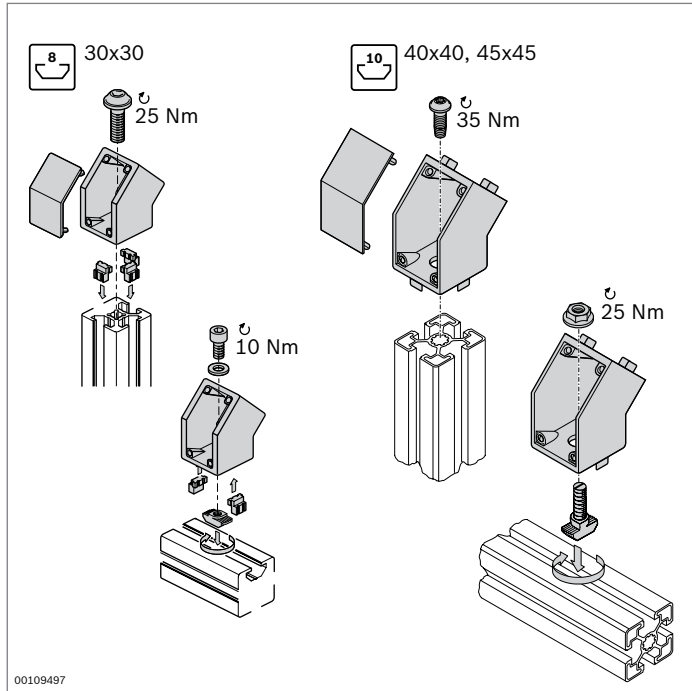
Type		
50x50	10 000 N	170 Nm



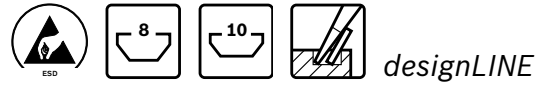
T-connector	Slot	ESD	No.	FS
<b>50x50</b> Set (standard)	10		<b>3 842 532 198</b>	1xFS3, 2xFS4

Material: T-connector: diecast zinc  
Fastening material: steel; galvanized

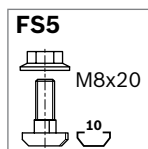
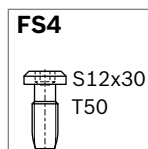
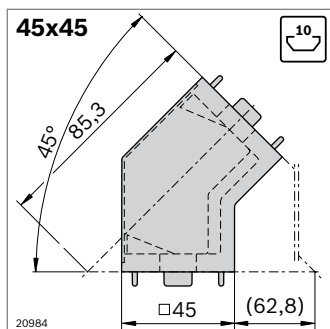
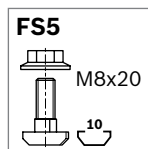
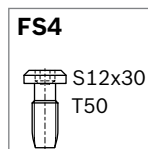
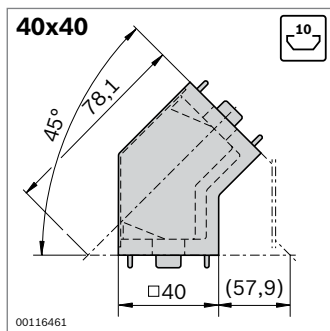
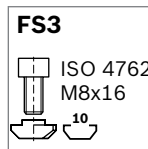
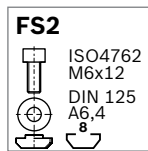
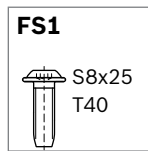
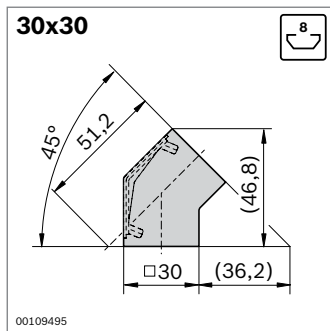
Scope of delivery: set incl. fastening material (FS)



### Connector 45°



- ▶ For connecting profiles at an angle of less than 45°
- ▶ Suitable for reinforcing frames
- ▶ Suitable for connections at the end-face or in the profile slot
- ▶ Connectors 45° 40x40 and 45x45 with centering lugs for easy positioning (centering lugs can simply be broken off for installation in the profile slot)
- ▶ *designLINE* version with special silver paint (RAL 9006)
- ▶ Profile finishing: not required



45° connector	Slot	ESD	No.	FS
30x30 Set (standard)	8	⚡	3 842 518 426	2xFS1, FS2, FS3
<i>designLINE</i> set	8	⚡	3 842 538 700	2xFS1, FS2, FS3

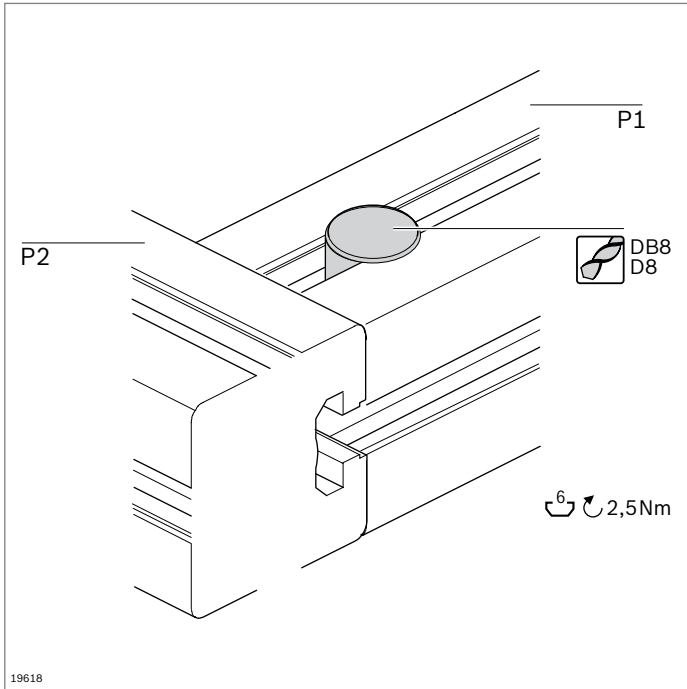
Material Connector 45°: diecast zinc  
*designLINE* 45° connector: painted (RAL 9006)  
 Centering element, cap: PA; black  
 Fastening material: steel; galvanized  
 Scope of delivery: Set incl. fastening material (FS), 6 x centering piece, cap

45° connector	Slot	ESD	No.	FS
40x40 Set (standard)	10	⚡	3 842 532 205	2xFS4, FS5
<i>designLINE</i> set	10	⚡	3 842 538 701	2xFS4, FS5

Material Connector 45°: cast aluminum  
*designLINE* 45° connector: painted (RAL 9006)  
 Cover cap: PA; black  
 Fastening material: steel; galvanized  
 Scope of delivery: set incl. fastening material (FS), cap

45° connector	Slot	ESD	No.	FS
45x45 Set (standard)	10	⚡	3 842 535 428	2xFS4, FS5
<i>designLINE</i> set	10	⚡	3 842 538 702	2xFS4, FS5

Material Connector 45°: cast aluminum  
*designLINE* 45° connector: painted (RAL 9006)  
 Cover cap: PA; black  
 Fastening material: steel; galvanized  
 Scope of delivery: set incl. fastening material (FS), cap

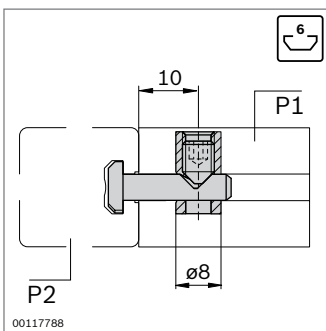
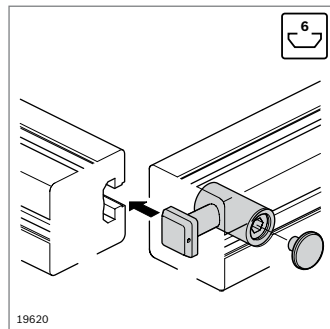
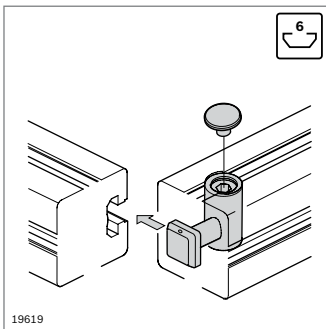


**Quick connector, 6 mm slot, 0°, 90° cover cap**



- ▶ For the right-angled connecting of two profiles
- ▶ Very good accessibility for tools during assembly
- ▶ Quick connector for 6 mm slot with square head; can be used as a 0° or 90° connector
- ▶ Profile finishing:  
blind hole DB8 or through-hole D8

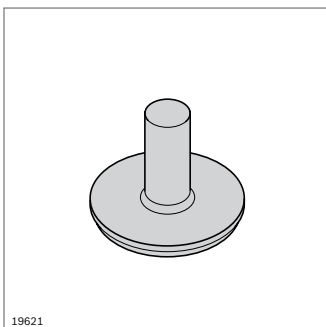
Optional accessories:  
Drilling jig (p. 14-2)



Slot	$F_{max}$	$M_{max}$
6 / 6	450 N	18 Nm

Quick-clamp connector, P1 / P2	D (mm)	ESD	No.
6 / 6	8	10	<b>3 842 537 013</b>

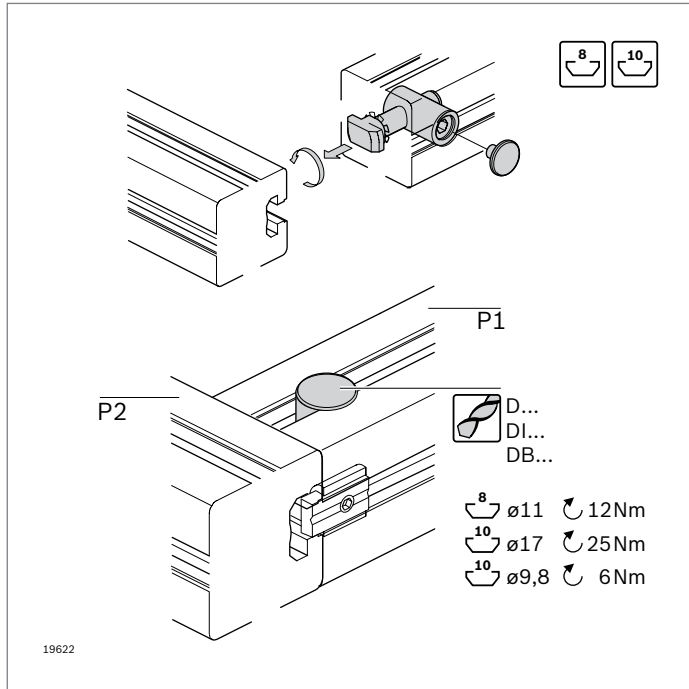
Material: steel, stainless



- ▶ Cover cap for covering the connector sleeve

Cover cap	D (mm)	No.
	8	<b>3 842 538 562</b>

Material: PE, light gray RAL 7035



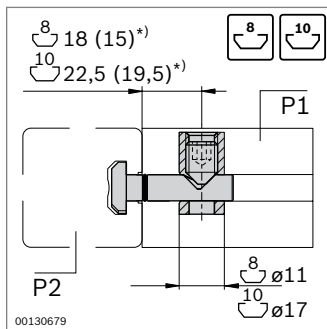
### Quick connector, 8/10 mm slot, 0°



- ▶ For the right-angled connecting of two profiles
- ▶ Very good accessibility for tools during assembly
- ▶ O-ring for fastening allows overhead assembly
- ▶ Quick connectors can be swiveled into the profile slot at the point of assembly
- ▶ Profile finishing:  
blind hole DI, DB11, DB17 or through hole DI, D11, D17
- ▶ Note differing drilling intervals and load-bearing capacities when using with radial compensation ("Technical data" p. 19-6)

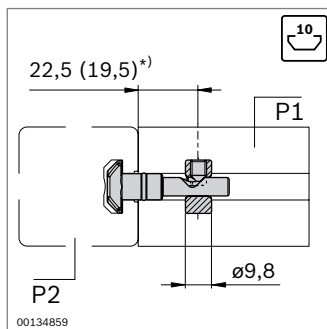
Optional accessories:

- ▶ Anti-torsion element (p. 3-41)
- ▶ Radial compensation (p. 2-85)
- ▶ Drilling jig (p. 14-2)
- ▶ Cover cap (p. 3-53)



Slot	$F_{max}$	$M_{max}$
8 / 8	500 N	40 Nm
8 / 10	2000 N	70 Nm
10 / 10	4000 N	140 Nm

\*) With the use of radial compensation



Slot	$F_{max}$	$M_{max}$
10 / 10	800 N	50 Nm

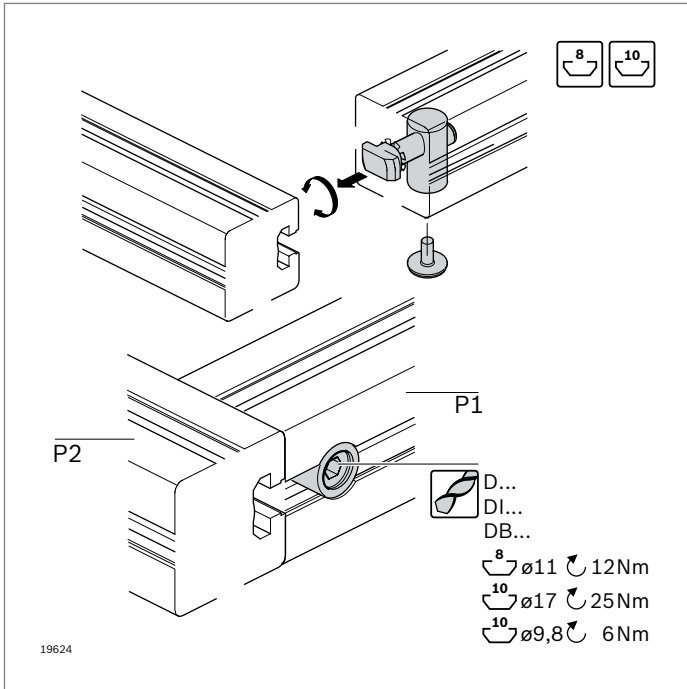
\*) With the use of radial compensation

Quick connector, 0°	P1 / P2	D ESD	No.
	(mm)		
<b>steel; galvanized</b>	8 / 8	11	3 842 535 459
	8 / 10	11	3 842 535 464
	10 / 10	17	3 842 535 458
<b>steel, stainless</b>	8 / 8	11	3 842 548 934
	8 / 10	11	3 842 548 935
	10 / 10	17	3 842 548 936

- ▶ Quick connector 9.8 with smaller connector sleeve
- ▶ The hole for the connector sleeve does not make contact with the slot flanks. This allows a visually attractive connection; the slot can be completely closed with the cover profile

Quick connector 0°, connector sleeve D = 9.8	P1 / P2	D ESD	No.
	(mm)		
<b>steel; galvanized</b>	10 / 10	9.8 <sup>1)</sup>	3 842 541 412

<sup>1)</sup> No standard hole in modular dimensions 40, 50 and 60  
Target distance from profile end: 22.5mm



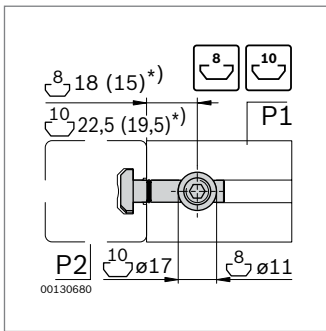
### Quick connector, 8/10 mm slot, 90° Cover cap



- ▶ Tie rod head rotated at a 90° angle to the connector sleeve
- ▶ Profile finishing:  
blind hole DI, DB11, DB17 or through hole DI, D11, D17

Optional accessories:

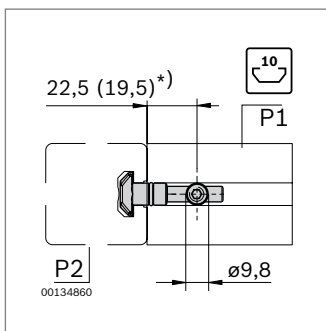
- ▶ Anti-torsion element (p. 3-41)
- ▶ Radial compensation (p. 2-85)
- ▶ Drilling jig (p. 14-2)
- ▶ Cover cap



Slot	$F_{max}$	$M_{max}$
8 / 8	500 N	40 Nm
10 / 10	4000 N	140 Nm

\*) With the use of radial compensation

Quick connector, 90°	P1 / P2	D	ESD	No.
		(mm)		
<b>steel; galvanized</b>	8 / 8	11	10	<b>3 842 535 465</b>
	10 / 10	17	10	<b>3 842 535 466</b>
<b>steel, stainless</b>	8 / 8	11	10	<b>3 842 548 937</b>
	10 / 10	17	10	<b>3 842 548 938</b>

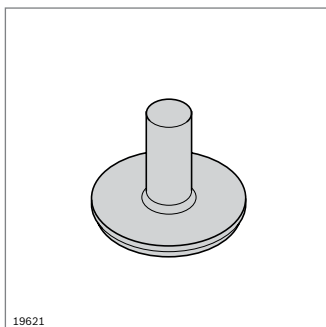


Slot	$F_{max}$	$M_{max}$
10 / 10	800 N	50 Nm

\*) With the use of radial compensation

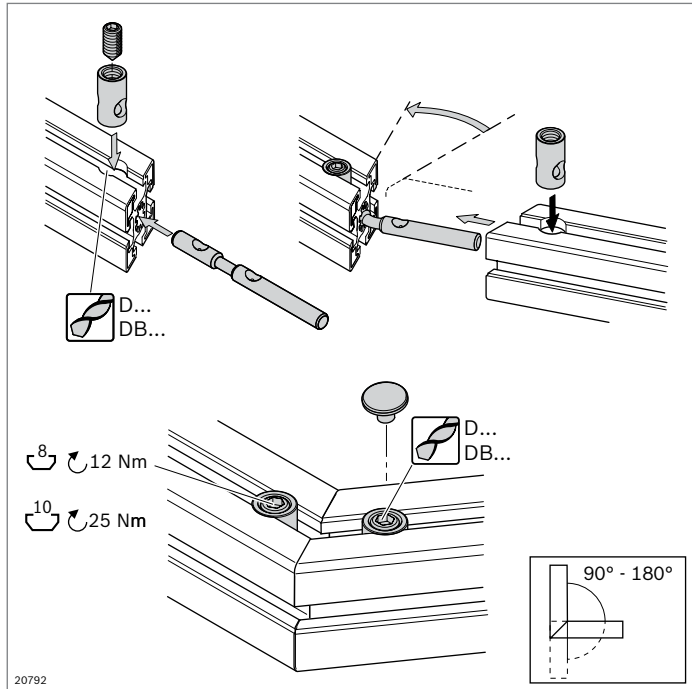
Quick connector 90°, connector sleeve D = 9.8	P1 / P2	D	ESD	No.
		(mm)		
<b>steel; galvanized</b>	10 / 10	9.8 <sup>1)</sup>	10	<b>3 842 541 410</b>

<sup>1)</sup> No standard hole in modular dimensions 40, 50 and 60, target distance from profile end: 22.5mm



Cover cap	D (mm)	No.
	11	100 <b>3 842 538 563</b>
	17	100 <b>3 842 538 564</b>

Material: PE, light gray RAL 7035



### Quick connector, bendable – end-to-end

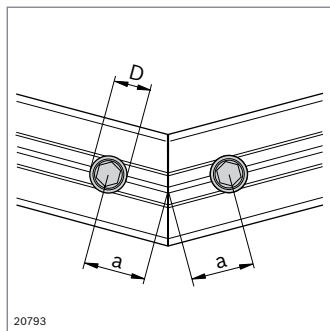


- ▶ For end-to-end connecting of two profiles with equal cross-sections and at any angle, e.g. for frames
- ▶ Profile finishing:
  - blind hole DB11, DB17 or through-hole D11, D17
  - miter cut

Technical data (p. 19-6)

Accessories:

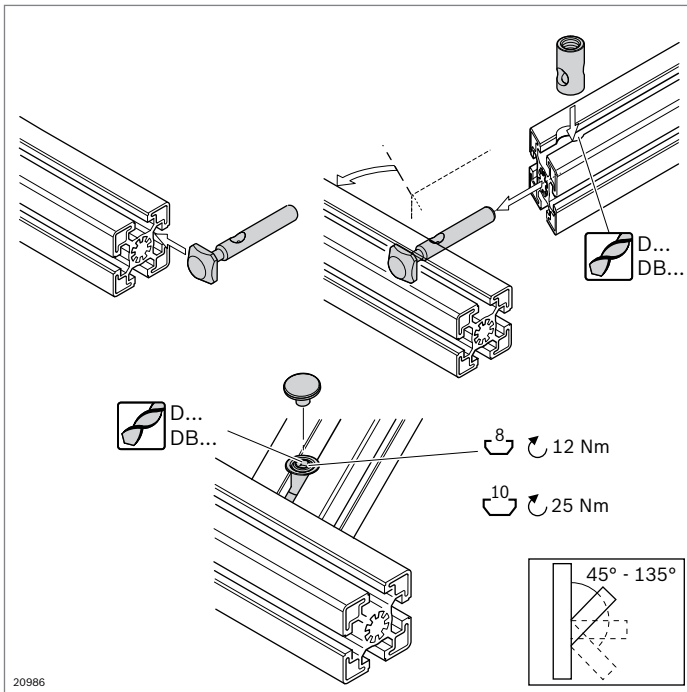
- ▶ Drilling jig (p. 14-2)
- ▶ Cover cap (p. 3-53)



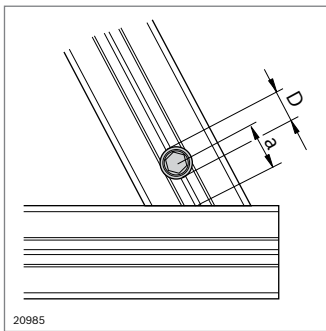
	$M_{max}$ ↓
30x30	24 Nm
40x40L	100 Nm
45x45L	110 Nm
45x45	145 Nm
50x50L	160 Nm

Quick connector, bendable	P1 / P2	a (mm)	D (mm)	ESD	No.
End-to-end	8 / 8	18	11	⚡	10
	10 / 10	22.5	17	⚡	10

Material: Tie rod: steel, stainless  
Socket: steel; galvanized



20986



20985

### Quick connector, bendable – end-to-slot



- ▶ For end-to-slot connecting of two profiles at any angle, e.g. for framework constructions
- ▶ Profile finishing:
  - blind hole DB11, DB17 or through-hole D11, D17
  - miter cut

Technical data (p. 19-6)

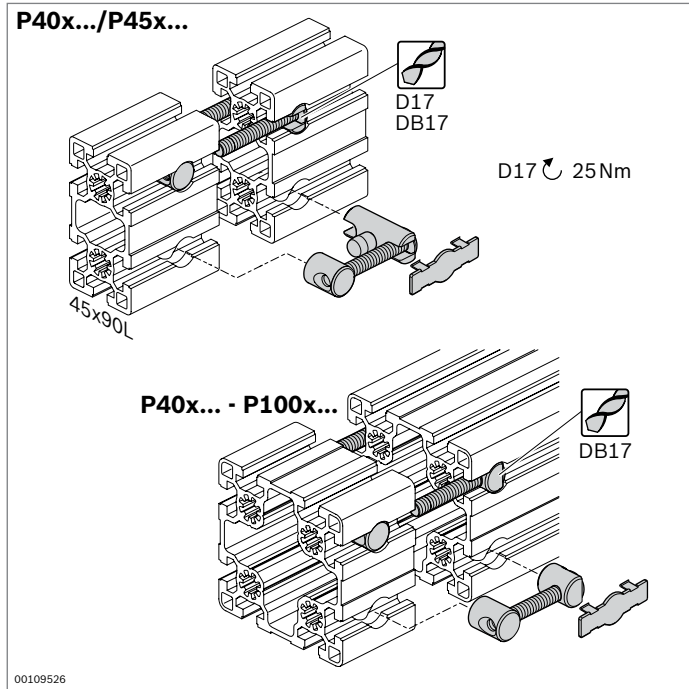
Accessories:

- ▶ Drilling jig (p. 14-2)
- ▶ Cover cap (p. 3-53)

Quick connector, bendable	P1 / P2	a (mm)	D (mm)	ESD	No.
End-to-slot	8 / 8	18	11		10 <b>3 842 535 629</b>
	10 / 10	22.5	17		10 <b>3 842 535 635</b>

Material: Tie rod: steel, stainless  
Socket: steel; galvanized

30x30	1100 N	35 Nm	650 N	40 Nm
40x40L	1500 N	110 Nm	1000 N	80 Nm
45x45L	1500 N	120 Nm	1000 N	95 Nm
45x45	1500 N	140 Nm	1100 N	180 Nm
50x50L	1500 N	150 Nm	1100 N	180 Nm



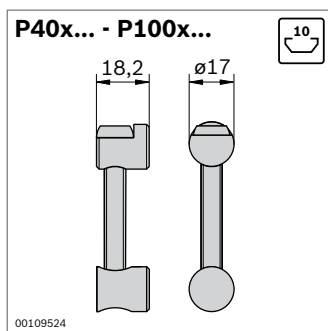
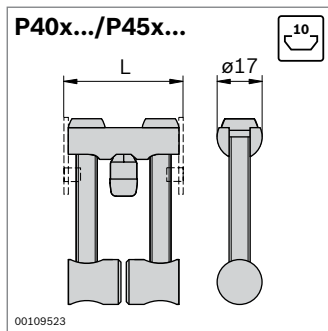
## Longitudinal end connector



- ▶ For the end-to-end connecting of two profiles
- ▶ Standard profile finishing:
  - through-hole D17 (longitudinal end connector on both sides)
  - blind hole DB17 or through-hole D17 (longitudinal end connector on one side)

Optional accessories:

Cover cap D17 x 44,6; ESD (p. 3-59)



Longitudinal end connector, two-sided	L (mm)	ESD	No.
Profile 40x...	40	⚡*	3 842 554 442
Profile 45x...	45	⚡*	3 842 554 440

Material: Longitudinal end connector: screw steel, galvanized

Centering pin, caps: PP, signal gray

Scope of delivery: incl. 4 x cover cap

\* Longitudinal end connector establishes conductive connection. Cover caps included in the set are not ESD-compatible.

Longitudinal end connector, one-sided	ESD	No.
Profile 40x... - 100x...	⚡*	3 842 554 444

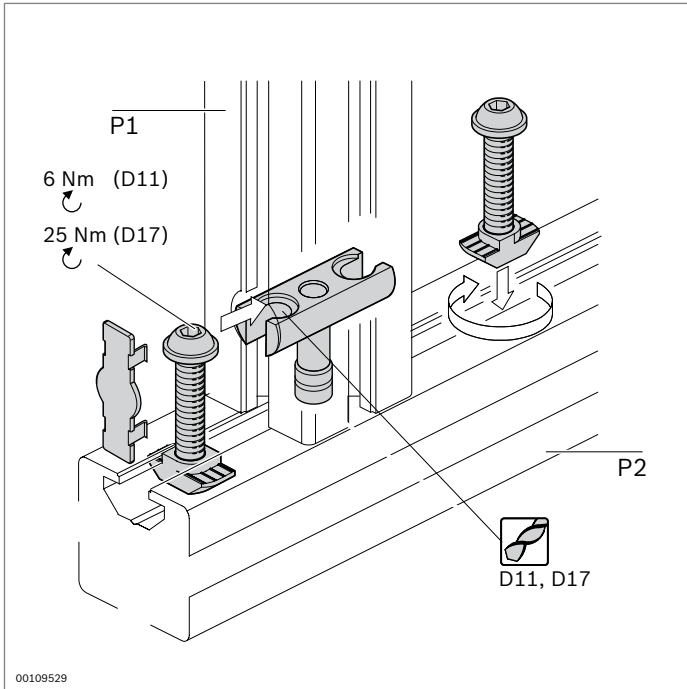
Material: Longitudinal end connector: screw steel, galvanized

Centering pin, caps: PP, signal gray

Scope of delivery: incl. 2 x cover cap

\* Longitudinal end connector establishes conductive connection. Cover caps included in the set are not ESD-compatible.





### Bolt connector



- ▶ For the right-angled connecting of two profiles
- ▶ Suitable for heavy loads, including torsional loads
- ▶ Can be mounted in closed frames
- ▶ Profile finishing: through-hole D11, D17

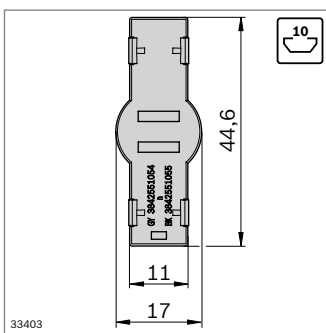
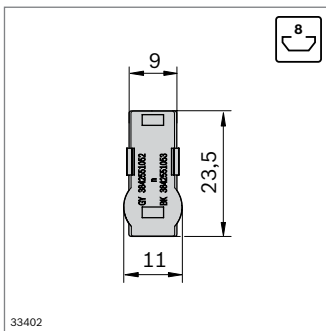
Technical data (p. 19-7)

Accessories:

Drilling jig (p. 14-2)

Optional accessories:

Cover cap, ESD

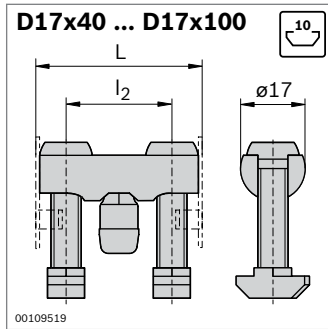
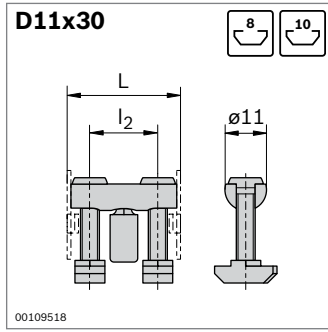


Cover cap	Color	ESD	No.
D11 x 23.5	Signal gray	100	3 842 551 052
D11 x 23.5	Black	100	3 842 551 053

Material: PP

Cover cap	Color	ESD	No.
D17 x 44.6	Signal gray	100	3 842 551 054
D17 x 44.6	Black	100	3 842 551 055

Material: PP



Bolt connector	P1 / P2	L (mm)	l <sub>2</sub> (mm)	ESD	No.
<b>D11x30</b>	8 / 8	30	18	⚡*	10 <b>3 842 554 402</b>
	8 / 10	30	18	⚡*	10 <b>3 842 555 590</b>

Material: Bolt connector: steel; galvanized  
Centering pin, caps: PP, signal gray  
\* Bolt connector creates conductive connection, but the cover caps included in the set are not ESD-compatible.

Scope of delivery: incl. 2 x cover caps

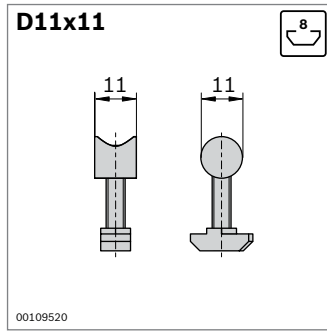
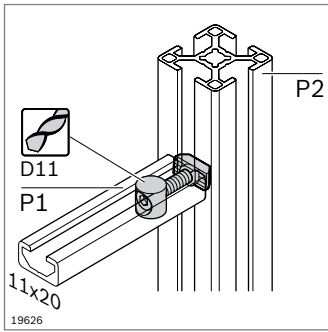
Bolt connector	P1 / P2	L (mm)	l <sub>2</sub> (mm)	ESD	No.
<b>D17x40</b>	10 / 10	40	23	⚡*	10 <b>3 842 555 594</b>
<b>D17x45</b>	10 / 10	45	28	⚡*	10 <b>3 842 555 584</b>
<b>D17x50</b>	10 / 10	50	33	⚡*	10 <b>3 842 555 596</b>
<b>D17x60</b>	10 / 10	60	43	⚡*	10 <b>3 842 555 586</b>
<b>D17x80</b>	10 / 10	80	63	⚡*	10 <b>3 842 555 598</b>
<b>D17x90</b>	10 / 10	90	73	⚡*	10 <b>3 842 555 588</b>
<b>D17x100</b>	10 / 10	100	83	⚡*	10 <b>3 842 555 592</b>

Material: Bolt connector: steel; galvanized  
Centering pin, caps: PP, signal gray  
\* Bolt connector creates conductive connection, but the cover caps included in the set are not ESD-compatible.

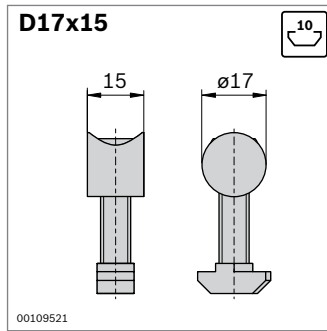
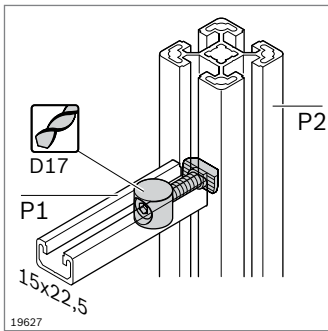
Scope of delivery: incl. 2 x cover caps

Size			
30	2500 N	60 Nm	20 Nm
40	4000 N	180 Nm	40 Nm
45	4000 N	180 Nm	60 Nm
50	4000 N	200 Nm	65 Nm

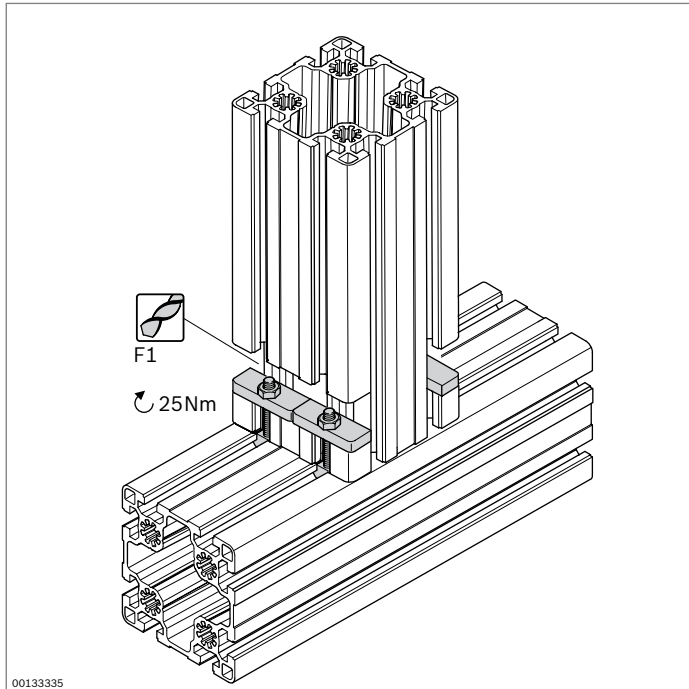
Size			
60	4000 N	200 Nm	80 Nm
80	5000 N	800 Nm	170 Nm
90	5000 N	800 Nm	200 Nm
100	5000 N	1000 Nm	480 Nm



Bolt connector	P1 / P2 ESD	No.
<b>D11x11</b>	8 / 8	10 <b>3 842 535 617</b>
Material: steel; galvanized		



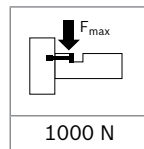
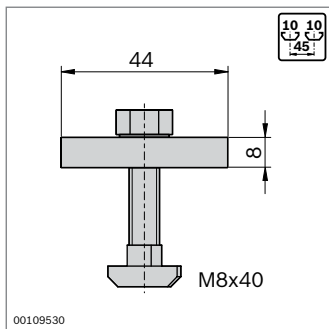
Bolt connector	P1 / P2 ESD	No.
<b>D17x15</b>	10 / 10	10 <b>3 842 535 619</b>
Material: steel; galvanized		



## QV mounting kit



- ▶ For the right-angled connecting of two profiles
- ▶ Very good accessibility for tools during assembly
- ▶ Profile finishing: Standard milling F1
- ▶ Bending moments must be avoided



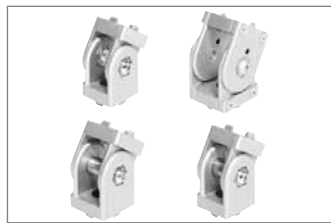
QV mounting kit	No.
Material: steel; galvanized	10 <b>3 842 146 972</b>



# Movable joints



Joint 45x45 lockable  
(p. 4-2)



Joints (p. 4-3)



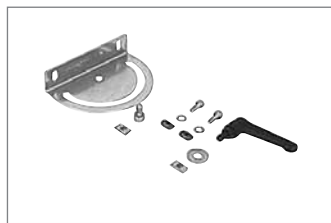
Swivel bearing (p. 4-7)



Supporting arm joint  
(p. 4-8)



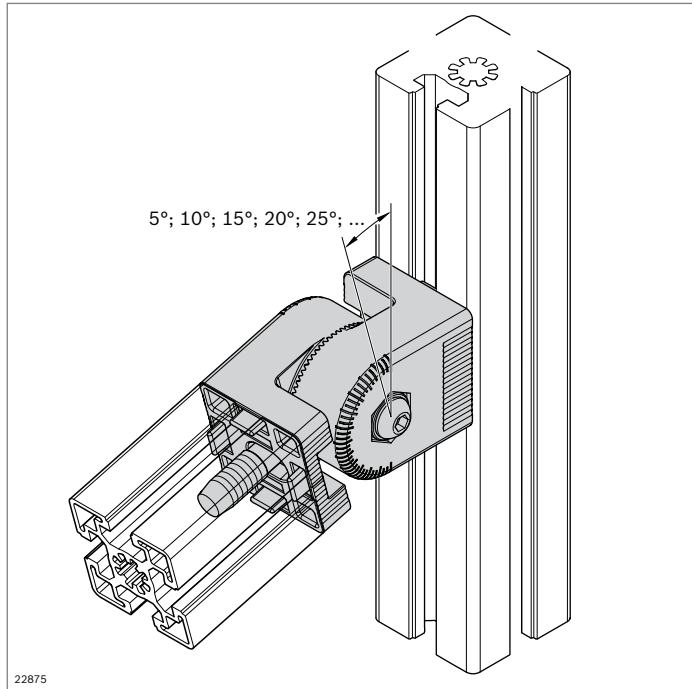
Bearing pedestal (p. 4-9)



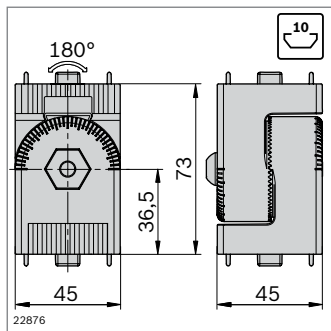
Swivel fastening (p. 4-10)



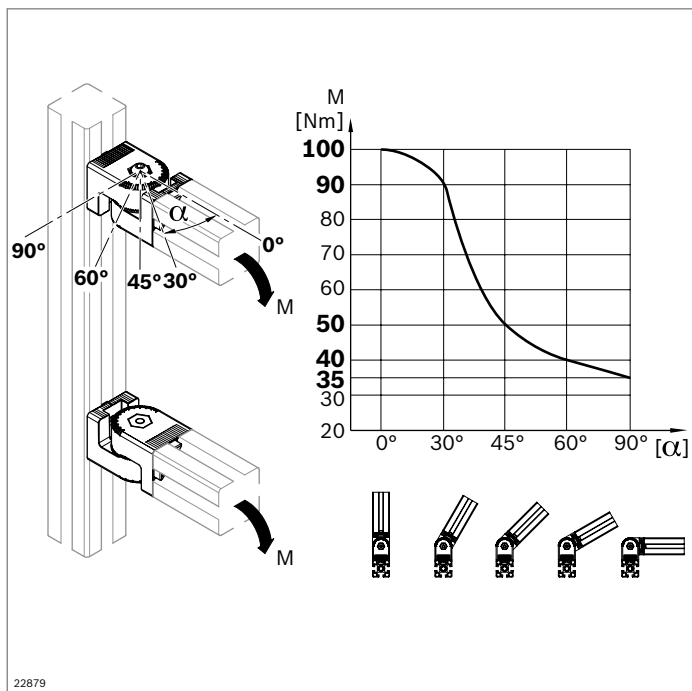
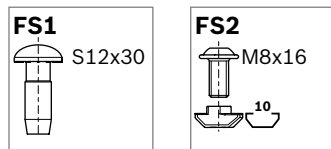
Clamping lever, star knob  
(p. 4-11)



22875



22876



22879

### Joint 45x45 lockable



- ▶ For adjustable or rigid profile connections
- ▶ For high loads up to 100 Nm in the swivel direction
- ▶ Positive interlocking thanks to Hirth toothed coupling
- ▶ Swivel range 180°
- ▶ Easy adjustment in the 5° modular dimensions
- ▶ Marking with a 5° graduation for easy detection of the adjustment angle
- ▶ Clamping and convenient adjustment of joint using a clamping lever or screw
- ▶ Profile finishing: not required (self-tapping screw for front end-to-end connections)
- ▶ Compatible with joint 45x45 and joint 45x45 support (p. 4-4)

Optional accessories:

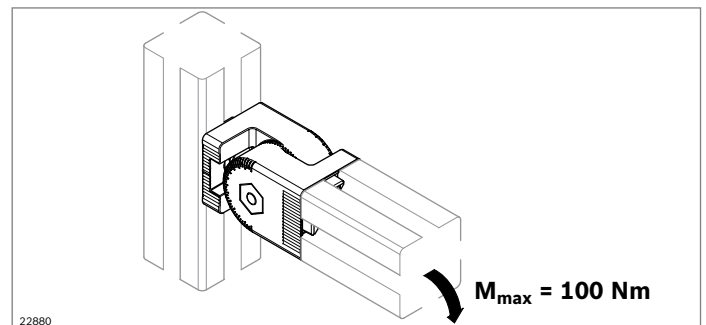
Clamping element (p. 4-11)

Joint 45x45 lockable	Slot	ESD No.	FS
	10	3 842 546 564	2xFS1, 2xFS2

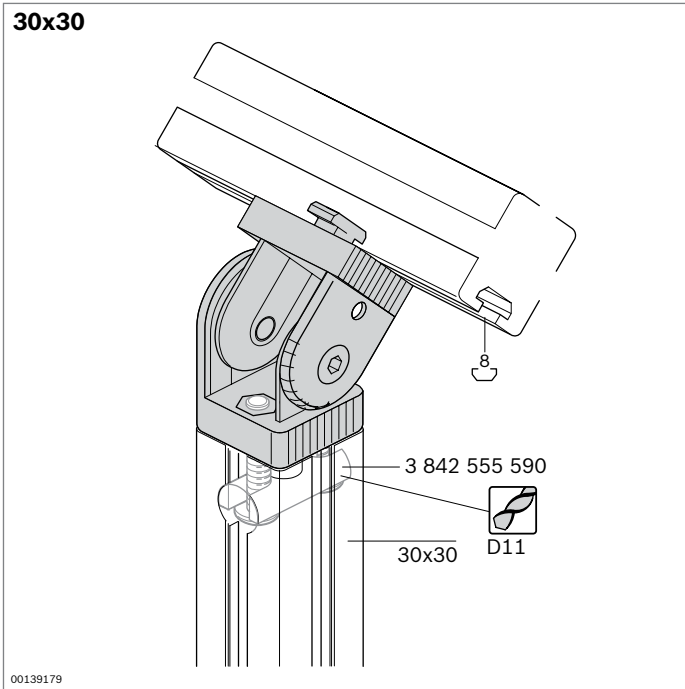
Material: diecast zinc

Fastening material: steel; galvanized

Scope of delivery: incl. fastening material (FS)



22880

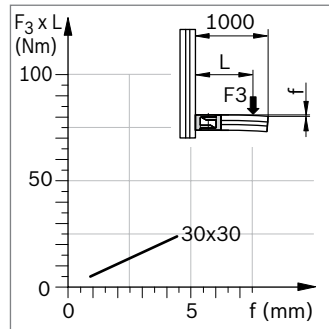
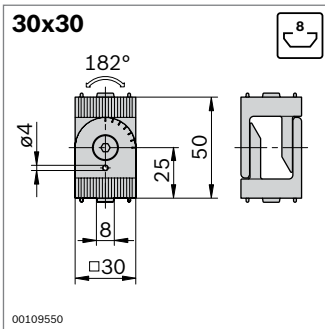


### Joint 30x30



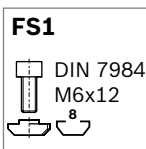
- ▶ For movable or rigid profile connections at any angle
- ▶ Swivel range 182°
- ▶ With marking in 15° increments
- ▶ Locking by clamping (5 Nm) or fixing with pins (15 Nm)
- ▶ *designLINE* version with special silver paint (RAL 9006) for an attractive, high-quality design
- ▶ Profile finishing:  
Through hole D11 for end face profile connections

Required accessories:  
bolt connector D11 for end face connections

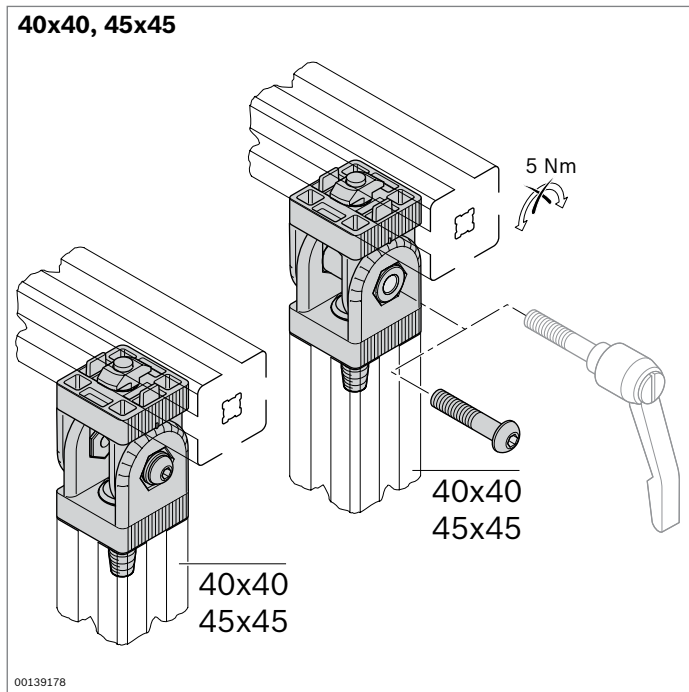


Joint 30x30	Slot	ESD	No.	FS
<b>Standard</b>	8		<b>3 842 502 683</b>	2xFS1, 4xFS2
<b>designLINE</b>	8		<b>3 842 538 683</b>	2xFS1, 4xFS2

Material: Standard: diecast zinc  
*designLINE*: painted, RAL 9006  
Fastening material: steel; galvanized  
Scope of delivery: incl. fastening material (FS)



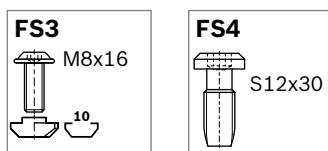
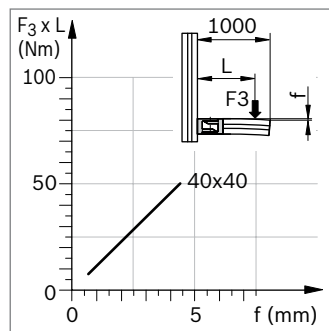
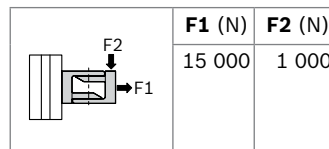
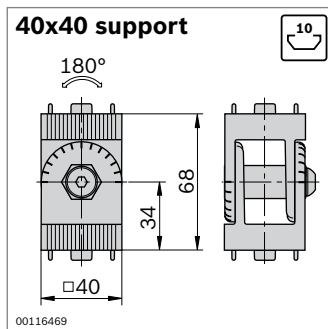
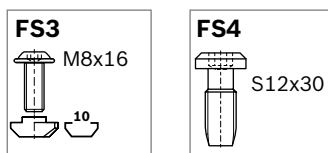
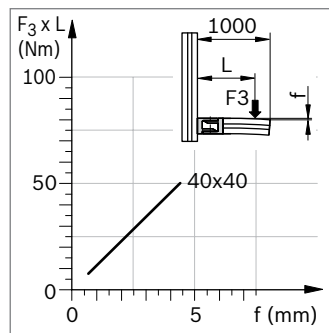
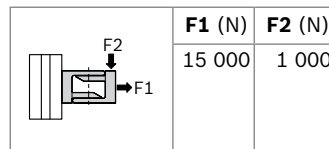
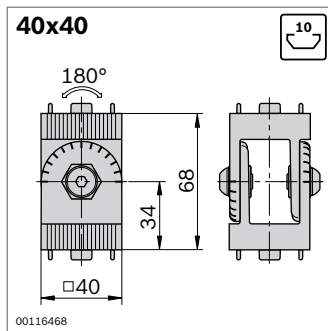
	<b>F1 (N)</b>	<b>F2 (N)</b>
	10 000	600



### Joint 40x40, 40x40 support, 45x45, 45x45 support



- ▶ For movable or rigid profile connections at any angle
- ▶ Swivel range 180°
- ▶ With marking in 15° increments
- ▶ Joint support can be clamped using a clamping lever (5 Nm) and conveniently adjusted
- ▶ *designLINE* version with special silver paint (RAL 9006) for an attractive, high-quality design



Joint 40x40	Slot	ESD	No.	FS
<b>Standard</b>	10		<b>3 842 543 401</b>	2xFS3, 2xFS4
<b>designLINE</b>	10		<b>3 842 538 684</b>	2xFS3, 2xFS4

Material: Standard: diecast aluminum  
*designLINE*: painted, RAL 9006  
Fastening material: steel; galvanized  
Scope of delivery: incl. fastening material (FS)

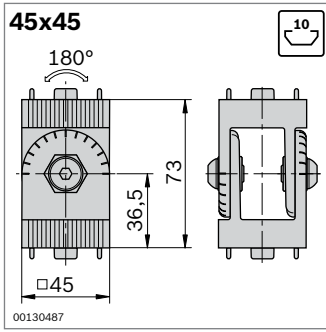
Joint 40x40 support	Slot	ESD	No.	FS
<b>Standard</b>	10		<b>3 842 543 402</b>	2xFS3, 2xFS4
<b>designLINE</b>	10		<b>3 842 538 685</b>	2xFS3, 2xFS4

Material: Standard: Die-cast aluminum  
*designLINE*: painted, RAL 9006  
Fastening material: steel; galvanized  
Scope of delivery: incl. fastening material (FS)

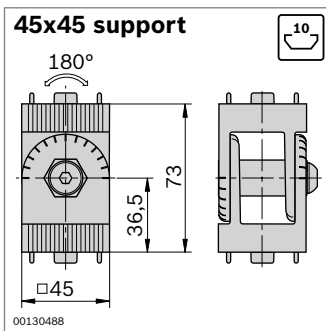
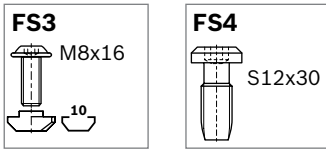
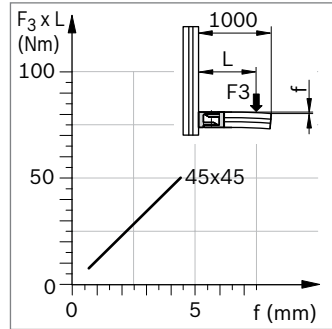
Clamping lever	No.
<b>for joint 40x40 support</b>	<b>3 842 516 847</b>

Material: diecast zinc, black polymer coating

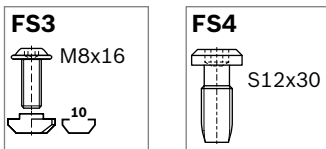
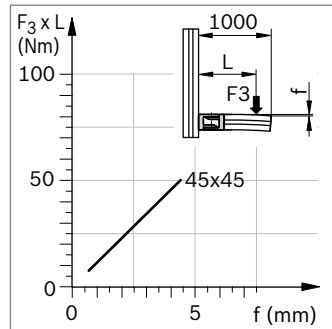




	<b>F1 (N)</b>	<b>F2 (N)</b>
	15 000	1 000



	<b>F1 (N)</b>	<b>F2 (N)</b>
	15 000	1 000



Joint 45x45	Slot	ESD	No.	FS
<b>Standard</b>	10		<b>3 842 543 403</b>	2xFS3, 2xFS4
<b>designLINE</b>	10		<b>3 842 538 686</b>	2xFS3, 2xFS4

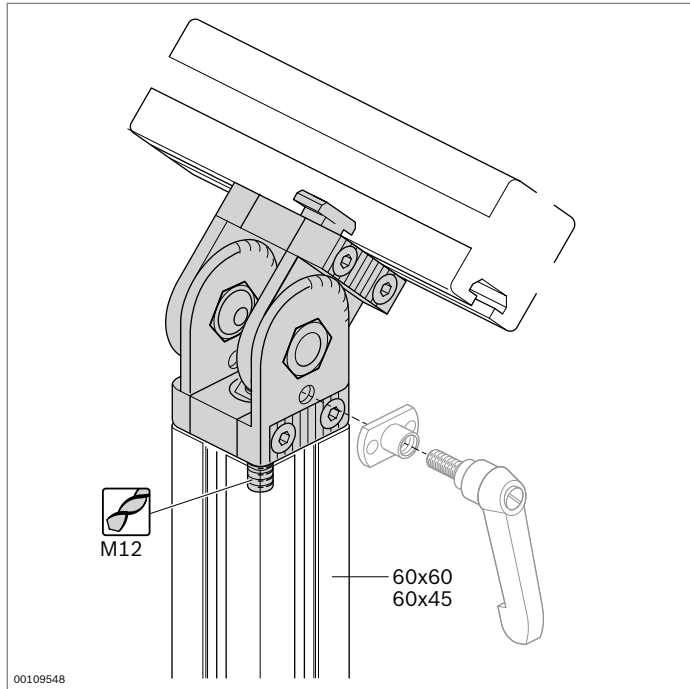
Material: Standard: diecast aluminum  
*designLINE*: painted, RAL 9006  
 Fastening material: steel; galvanized  
 Scope of delivery: incl. fastening material (FS)

Joint 45x45 support	Slot	ESD	No.	FS
<b>Standard</b>	10		<b>3 842 543 404</b>	2xFS3, 2xFS4
<b>designLINE</b>	10		<b>3 842 538 687</b>	2xFS3, 2xFS4

Material: Standard: diecast aluminum  
*designLINE*: painted, RAL 9006  
 Fastening material: steel; galvanized  
 Scope of delivery: incl. fastening material (FS)

Clamping lever	No.
<b>for joint 45x45 support</b>	<b>3 842 538 607</b>

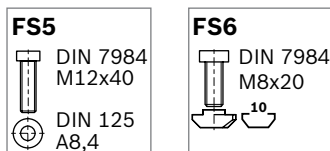
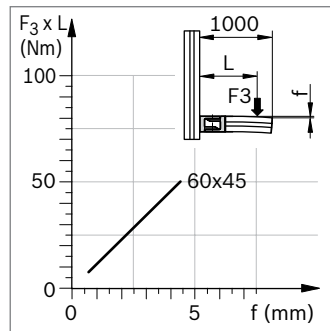
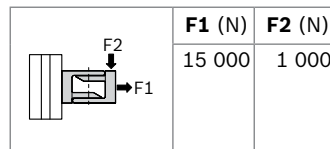
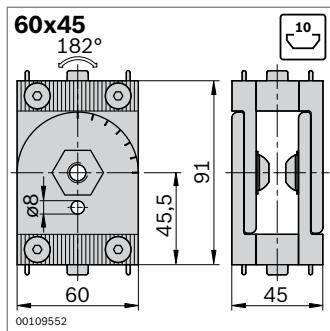
Material: diecast zinc, black polymer coating



### Joint 60x45, 60x60



- ▶ For movable or rigid profile connections at any angle
- ▶ Swivel range 182°
- ▶ With marking in 15° increments
- ▶ Locking by clamping (5 Nm) or fixing with pins (15 Nm)
- ▶ The joint can be adjusted using a clamping lever
- ▶ *designLINE* version with special silver paint (RAL 9006)
- ▶ Profile finishing:  
Thread cutting (M12) in core for end connection

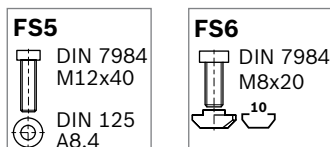
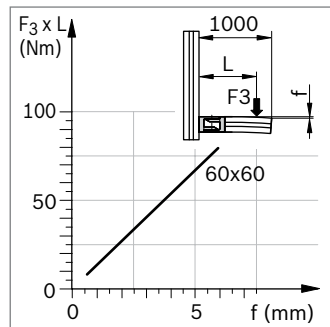
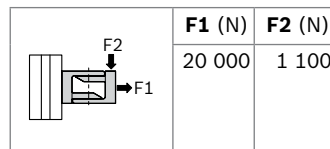
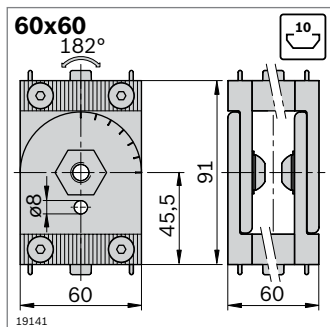


Joint 60x45	Slot	ESD	No.	FS
<b>Standard</b>	10		<b>3 842 502 688</b>	2xFS5, 2xFS6
<b>designLINE</b>	10		<b>3 842 539 799</b>	2xFS5, 2xFS6

Material: Standard: diecast zinc  
*designLINE*: painted, RAL 9006  
Fastening material: steel; galvanized  
Scope of delivery: incl. fastening material (FS)

Clamping lever	No.
<b>for joint 60x45</b>	<b>3 842 505 144</b>

Material: diecast zinc, black polymer coating

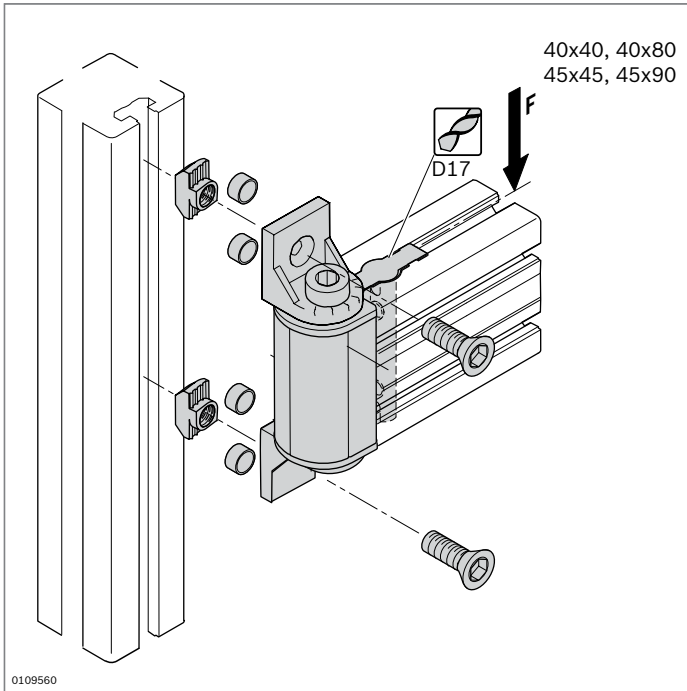


Joint 60x60	Slot	ESD	No.	FS
<b>Standard</b>	10		<b>3 842 502 687</b>	2xFS5, 2xFS6
<b>designLINE</b>	10		<b>3 842 539 800</b>	2xFS5, 2xFS6

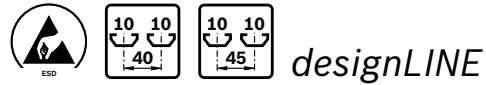
Material: Standard: diecast zinc  
*designLINE*: painted, RAL 9006  
Fastening material: steel; galvanized  
Scope of delivery: incl. fastening material (FS)

Clamping lever	No.
<b>for joint 60x60</b>	<b>3 842 505 144</b>

Material: diecast zinc, black polymer coating

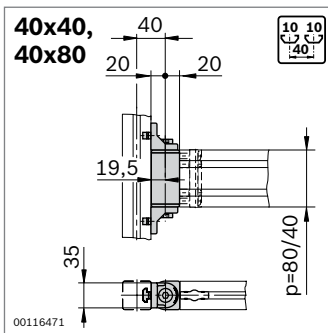


## Swivel bearing

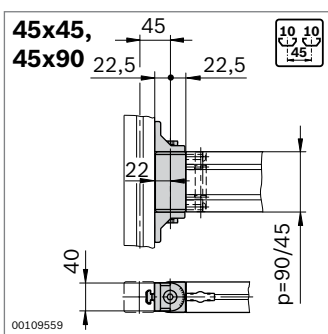
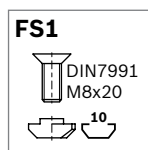


- ▶ Suitable for swiveling right-angled profile connections, e.g. for constructing supporting arms or doors
- ▶ *designLINE* version with special silver paint (RAL 9006) for an attractive, high-quality design
- ▶ Profile finishing: drilling of through-hole D17

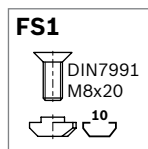
4



Profile	$M_{max} = F \times L$ (Nm)
40x40	40
40x80	130



Profile	$M_{max} = F \times L$ (Nm)
45x45	50
45x90	150



Swivel bearing		p (mm)	ESD No.	FS
40x40	Standard	40	3 842 532 208	2xFS1
	<i>designLINE</i>	40	3 842 538 688	2xFS1
40x80	Standard	80	3 842 532 209	2xFS1
	<i>designLINE</i>	80	3 842 538 689	2xFS1

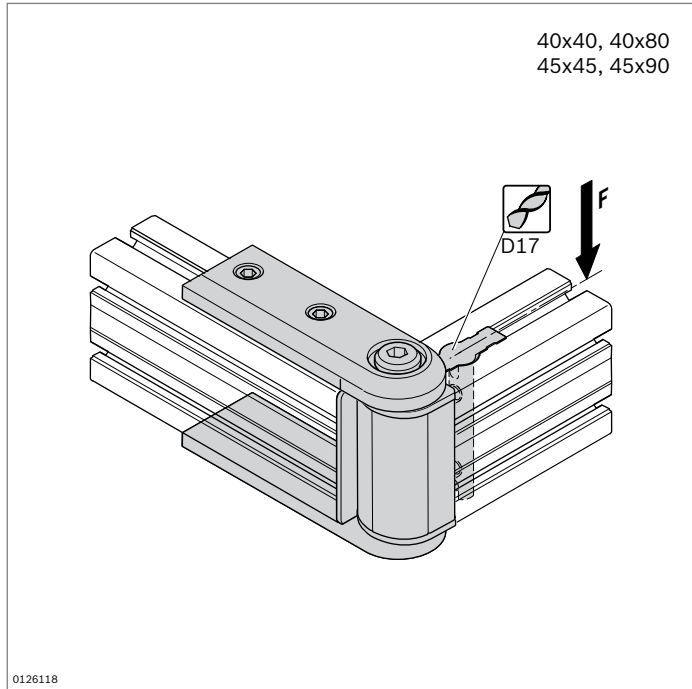
Material: Standard: diecast aluminum  
*designLINE*: painted, RAL 9006  
 Fastening material: steel; galvanized  
 Cover cap: PA; black

Scope of delivery: incl. caps, bolt connectors, fastening material (FS)

Swivel bearing		p (mm)	ESD No.	FS
45x45	Standard	45	3 842 522 634	2xFS1
	<i>designLINE</i>	45	3 842 538 690	2xFS1
45x90	Standard	90	3 842 522 633	2xFS1
	<i>designLINE</i>	90	3 842 538 691	2xFS1

Material: Standard: diecast zinc  
*designLINE*: painted, RAL 9006  
 Fastening material: steel; galvanized  
 Cover cap: PA; black

Scope of delivery: incl. caps, bolt connectors, fastening material (FS)

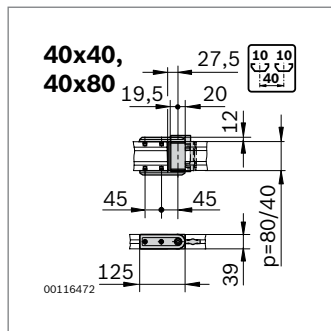


### Supporting arm joint

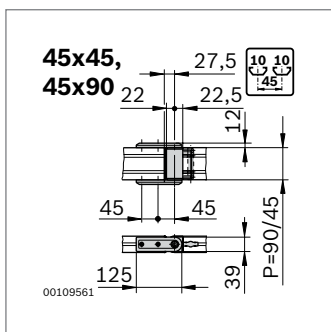
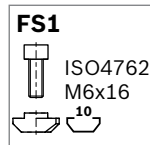


*designLINE*

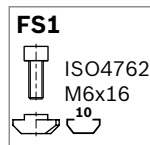
- ▶ Suitable for swiveling end connections, e.g. for the construction of supporting arms
- ▶ *designLINE* version with special silver paint (RAL 9006) for an attractive, high-quality design
- ▶ Profile finishing: drilling of through-hole D17



Profile	$M_{max} = F \times L$ (Nm)
40x40	40
40x80	130



Profile	$M_{max} = F \times L$ (Nm)
45x45	50
45x90	150

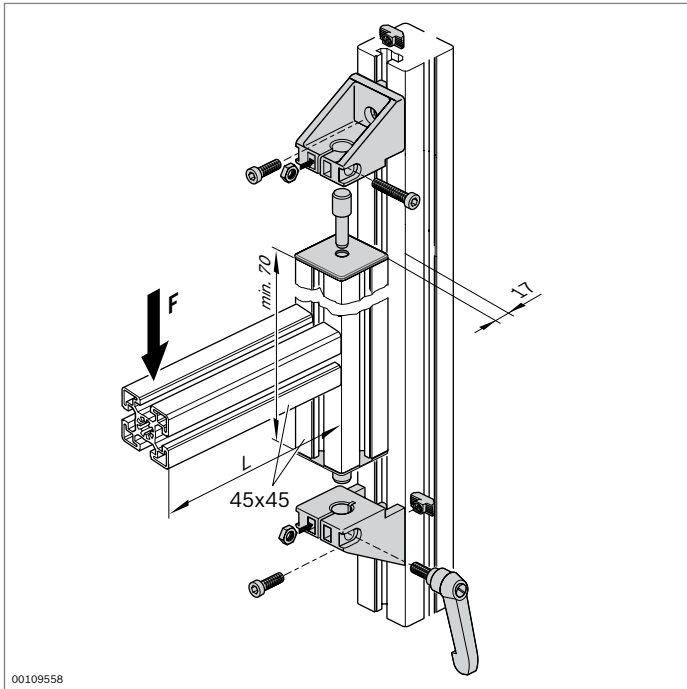


Supporting arm joint	p (mm)	ESD No.	FS	
40x40	Standard	40	3 842 532 206	4xFS1
	<i>designLINE</i>	40	3 842 538 692	4xFS1
40x80	Standard	80	3 842 532 207	4xFS1
	<i>designLINE</i>	80	3 842 538 693	4xFS1

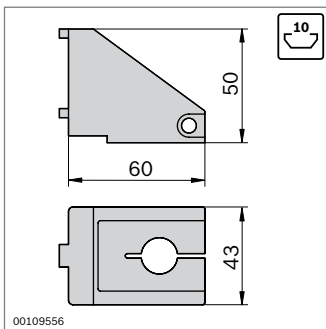
Material: Standard: diecast zinc  
*designLINE*: painted (RAL 9006)  
 Cover cap: PA; black  
 Fastening material: steel; galvanized  
 Scope of delivery: incl. caps, bolt connectors, fastening material (FS)

Supporting arm joint	p (mm)	ESD No.	FS	
45x45	Standard	45	3 842 521 263	4xFS1
	<i>designLINE</i>	45	3 842 538 694	4xFS1
45x90	Standard	90	3 842 521 262	4xFS1
	<i>designLINE</i>	90	3 842 538 695	4xFS1

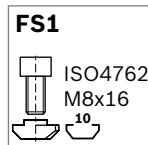
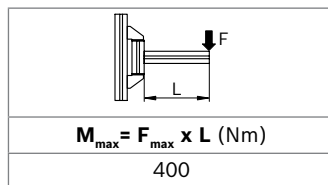
Material: Standard: diecast zinc  
*designLINE*: painted (RAL 9006)  
 Cover cap: PA; black  
 Fastening material: steel; galvanized  
 Scope of delivery: incl. caps, bolt connectors, fastening material (FS)



00109558



00109556



## Bearing pedestal



*designLINE*

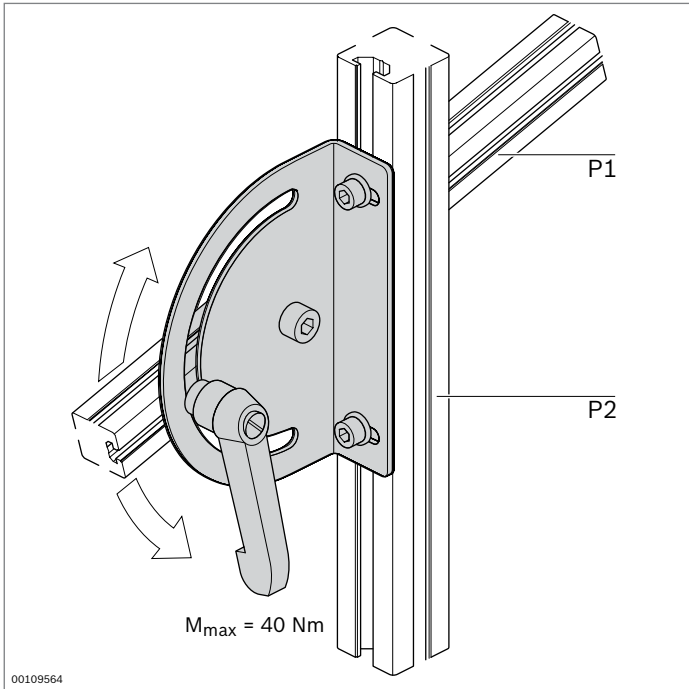
- ▶ Bearing pedestal for heavy constructions which are to be able to swiveled
- ▶ *designLINE* version with special silver paint (RAL 9006) for an attractive, high-quality design

4

Bearing pedestal	Slot	No.	FS
Standard	10	<b>3 842 547 868</b>	2xFS1
<i>designLINE</i>	10	<b>3 842 547 869</b>	2xFS1

Material: Standard: diecast zinc  
*designLINE*: painted (RAL 9006)  
 Fastening material: steel; galvanized  
 Clamping lever handle: diecast zinc; black plastic coated  
 Cover cap: PP, signal gray

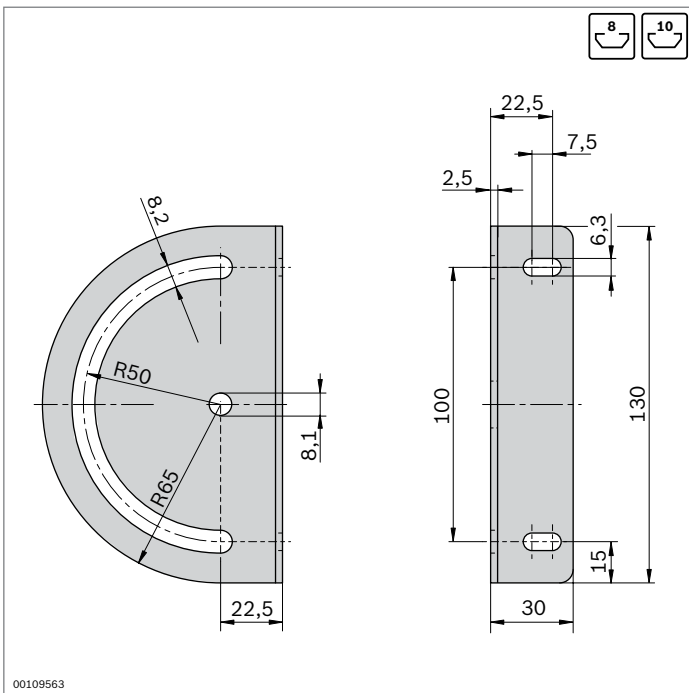
Scope of delivery: incl. fastening material (FS), 2 x cover cap, 2 x bolt, clamping lever (and additional standard parts for clamping the bearing pedestal)



### Swivel fastening, 180°

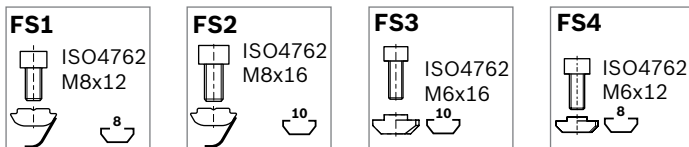


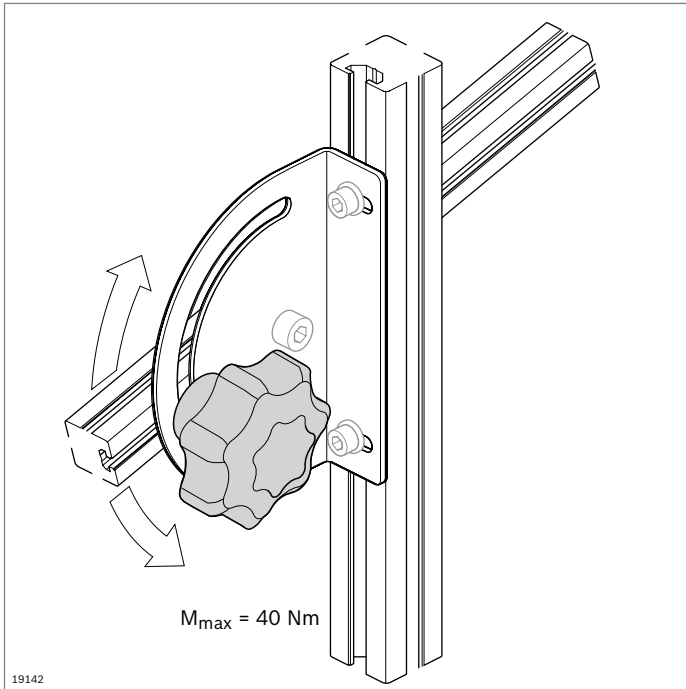
- Swivel fastening for shelves, etc. which need to be positioned at an angle of  $\pm 90^\circ$



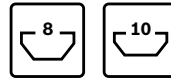
Swivel fastening, 180°	P1 / P2	ESD	No.	FS
	8 / 8	⚡	<b>3 842 538 275</b>	FS1
	8 / 10			2xFS3
				2xFS4
				2xFS5
	10 / 8	⚡	<b>3 842 538 276</b>	FS2
	10 / 10			2xFS3
				2xFS4
				2xFS5

Material: Pivoting fastener: steel; galvanized  
 Clamping lever: diecast zinc; black plastic coated  
 Scope of delivery: incl. fastening material (FS), clamping lever with disk and swivel-in sliding block with spring





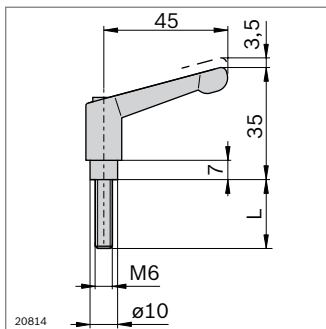
## Clamping lever, star knob



- ▶ Clamping elements for adjustable connections

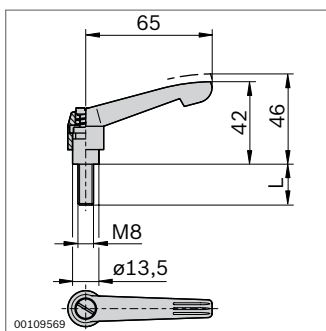
Accessories:

- ▶ Screws and sliding blocks; see fastening material (p. 4-10)



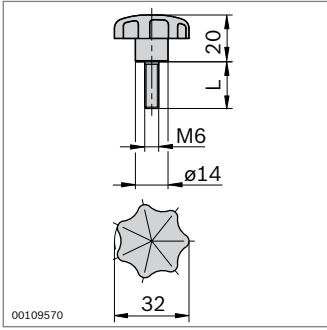
Clamping lever M6	L (mm)	No.
M6x25	25	<b>3 842 528 540</b>
M6x40	40	<b>3 842 528 539</b>

Material: Clamping lever: diecast zinc; black plastic coated  
Screws: steel; galvanized and black chrome-plated



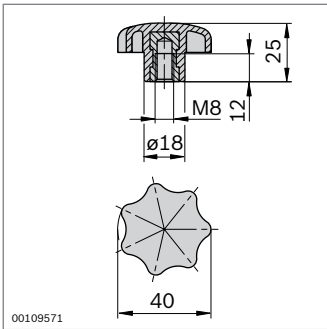
Clamping lever M8	L (mm)	No.
	12	<b>3 842 516 845</b>
	16	<b>3 842 522 124</b>
	20	<b>3 842 516 846</b>
	40	<b>3 842 516 847</b>
	45	<b>3 842 538 607</b>
	55	<b>3 842 516 848</b>

Material: Clamping lever: diecast zinc; black plastic coated  
Steel parts: galvanized, strength class 5.8



Star knob M6	L (mm)	No.
	15	<b>3 842 516 849</b>
	20	<b>3 842 516 850</b>

Material: Star knob: PA; black  
Steel parts: galvanized, strength class 5.8

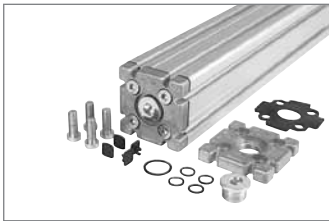


Star knob M8	No.
	<b>3 842 516 851</b>

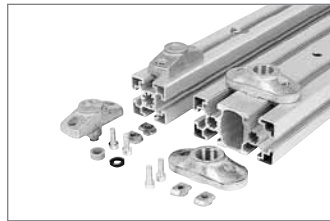
Material: Star knob: PA; black  
Steel parts: galvanized, strength class 5.8



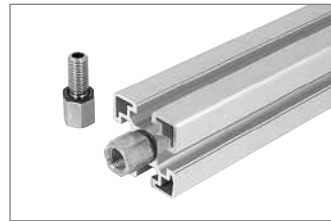
# Air-supply elements



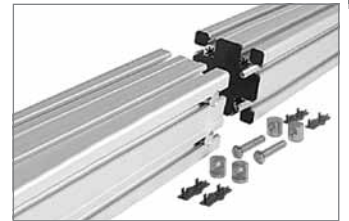
Flanged plate (p. 5-3)



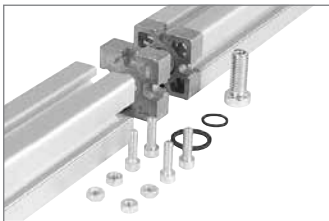
Connection piece (p. 5-4)



Connection screw fitting  
M12-1/4" (p. 5-4)



Longitudinal end connector  
(p. 5-5)

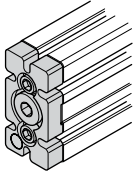


Longitudinal end connector  
45 Pneu (p. 5-6)

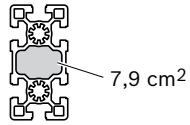


T-connector 45 Pneu  
(p. 5-6)

**45x90**  
(p. 2-44)



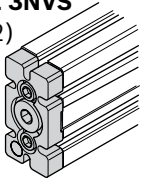
**45x90**



## Air-supply elements

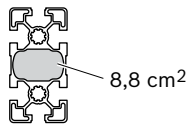
- ▶ Rexroth **strut profiles** can be used as compressed-air leads and reservoirs. The hollow chambers or central holes are used
- ▶ **Flanged plate** for end closing of profiles (p. 5-3)
- ▶ Compressed-air intake or discharge at the flanged plate, **connection piece**, or **connection screw fitting** (p. 5-4)
- ▶ Air-tight connecting of profiles with **longitudinal end connectors or T-connectors**(p. 5-6, 5-5)
- ▶ The use of the heavy-duty profiles is preferable in the case of more demanding leak-tightness requirements (e.g. for underwater applications)

**45x90L**  
**45x90L 2N**  
**45x90L 3NVS**  
(p. 2-42)



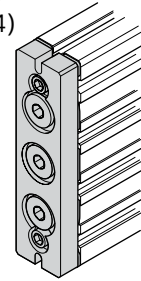
19585

**45x90L**

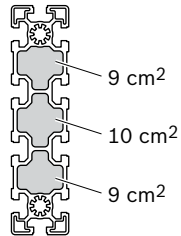


00109731

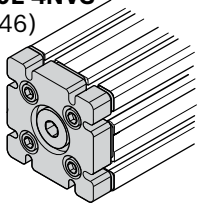
**45x180**  
(p. 2-44)



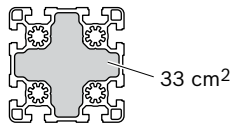
**45x180**



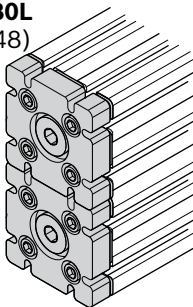
**90x90L**  
**90x90L 4N**  
**90x90L 4NVS**  
(p. 2-46)



**90x90L**

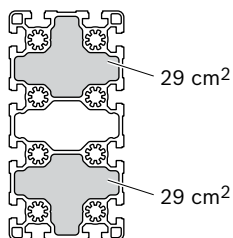


**90x180L**  
(p. 2-48)

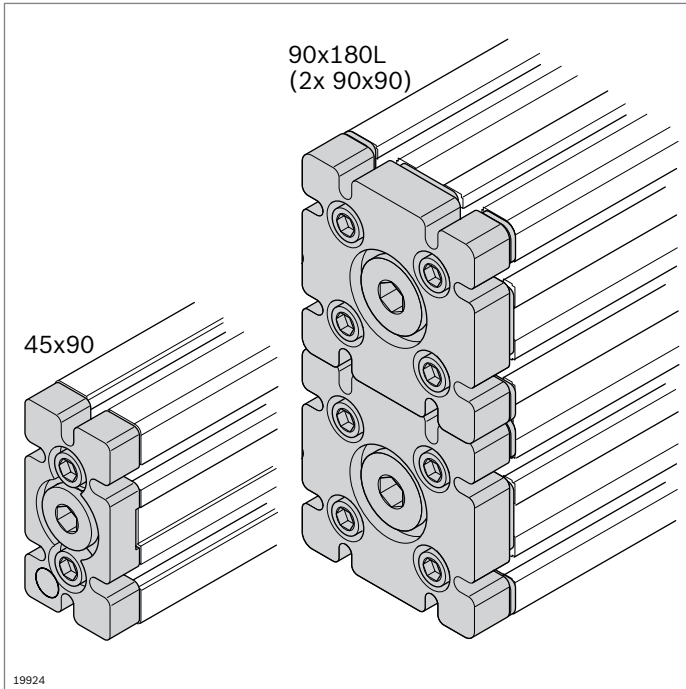


19588

**90x180L**



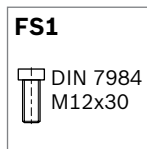
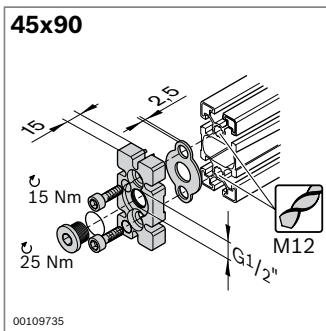
00109734



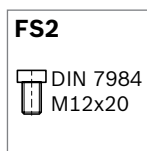
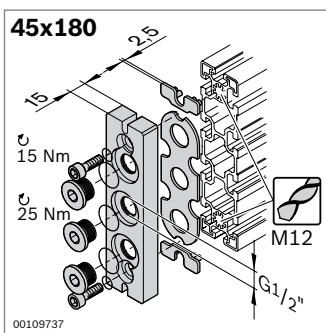
## Flanged plate



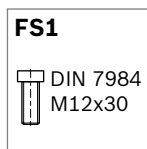
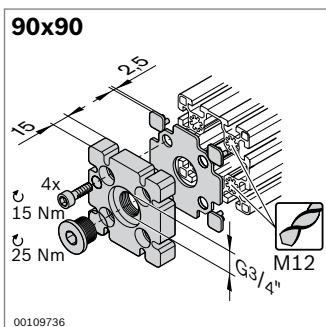
- ▶ For sealing the ends of the hollow chambers. This enables the profiles to be used as a compressed-air lead
- ▶ For compressed-air intake or discharge when the screw plugs are replaced by pneumatic screw fittings
- ▶ Profile finishing: M12 thread cutting in the central holes
- ▶ For a maximum pressure ( $p_{max}$ ) of 8 bar



Flanged plate	No.	FS
45x90	3 842 523 097	2xFS1
Material:	Flanged plate: Die-cast aluminum Seal: NBR Fastening material: steel; galvanized	
Scope of delivery:	incl. fastening material (FS), screw plug, seals	

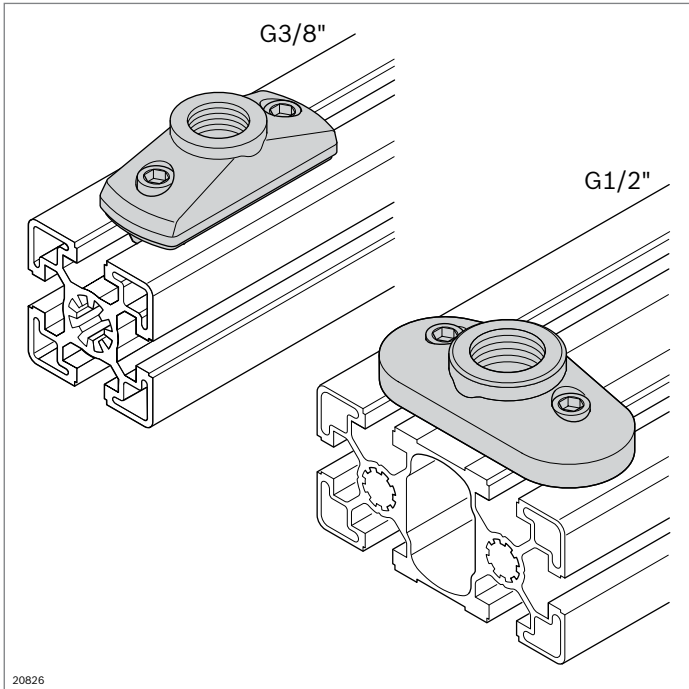


Flanged plate	No.	FS
45x180	2 3 842 535 721	2xFS2
Material:	Flanged plate: aluminum Seal: NBR Fastening material: steel; galvanized	
Scope of delivery:	incl. fastening material (FS), 2 x spacer, 3 x screw plug, seals	



Flanged plate	No.	FS
90x90	3 842 523 098	4xFS1
Material:	Flanged plate: Die-cast aluminum Seal: NBR Fastening material: steel; galvanized	
Scope of delivery:	incl. fastening material (FS), 4 x spacer, screw plug, seals	

**Note:** Only suitable for light profiles 90x90L and 90x180L.

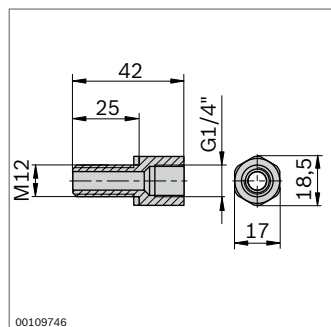
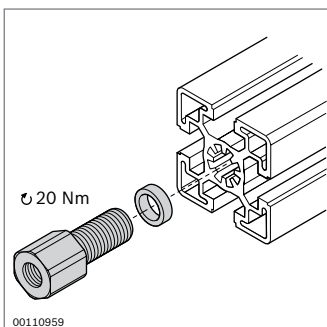
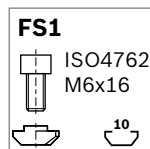
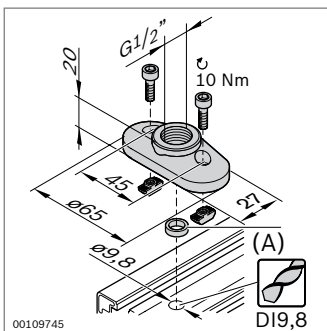
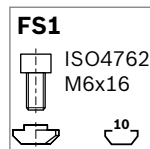
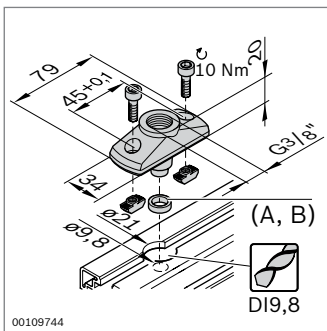


### Connection piece Connection screw fitting M12-1/4"



#### Connection piece

- ▶ For compressed-air intake or discharge at any point on the profile
- ▶ G3/8" for connection at central hole
- ▶ G1/2" for connection at hollow chamber
- ▶ Suitable for light and standard profiles
- ▶ Profile finishing: blind hole DI9,8; blind hole  $\varnothing 21$  mm (drilling jig **3 842 528 574**, p. 14-3)
- ▶ For a maximum pressure ( $p_{max}$ ) of 8 bar



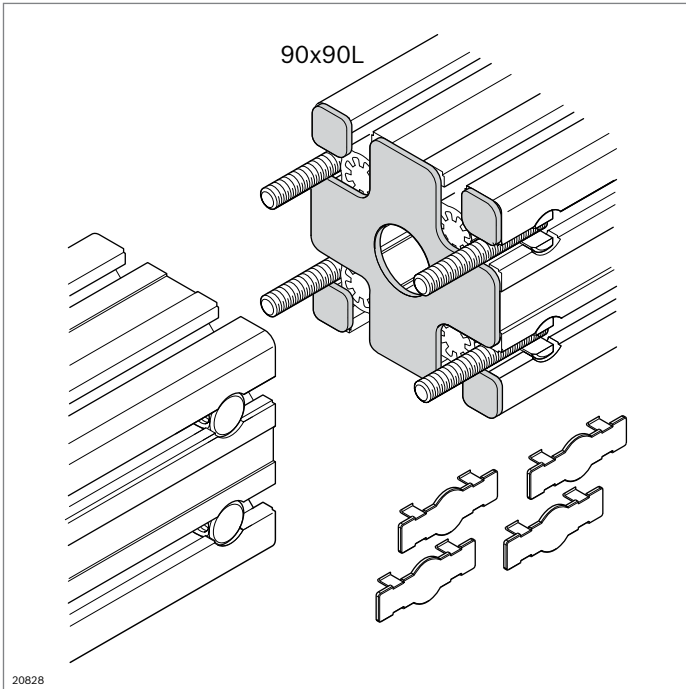
Connection piece	No.	FS
<b>G3/8"</b>	<b>3 842 523 092</b>	2xFS1
Material:	Connection piece Die-cast aluminum	
	Seal: NBR	
Scope of delivery:	incl. fastening material, seals (A, B)	
Accessories:	Seals A, B (p. 5-6)	

Connection piece	No.	FS
<b>G1/2"</b>	<b>3 842 352 085</b>	2xFS1
Material:	Connection piece diecast zinc	
	Seal: NBR	
Scope of delivery:	incl. fastening material, seal (A)	
Accessories:	Seal A (p. 5-6)	

#### Connection screw fitting M12-1/4"

- ▶ For screw fitting in central hole
- ▶ Profile finishing: M12
- ▶ For a maximum pressure ( $p_{max}$ ) of 8 bar

Connection screw fitting	No.
<b>M12-1/4"</b>	<b>10 3 842 535 719</b>
Material:	Connection screw fitting: steel; galvanized
	Seal: PVC, hard
Scope of delivery:	incl. seal



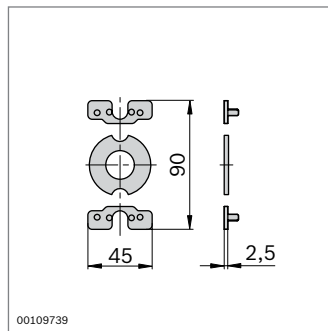
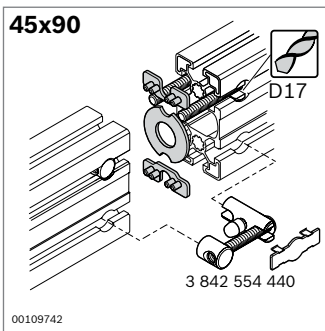
### Longitudinal end connection



- ▶ Seal for end-to-end connection of profiles carrying compressed air
- ▶ Profile finishing: through-hole D17 (45x90, 45x180); blind hole LF (90x90L)
- ▶ For a maximum pressure ( $p_{max}$ ) of 8 bar

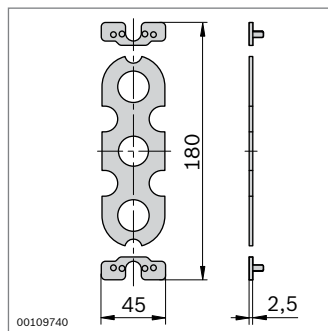
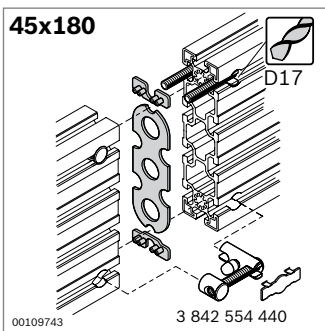
Required accessories:

Longitudinal end connector for profile connection (p. 3-58)



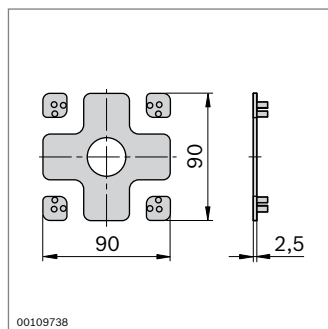
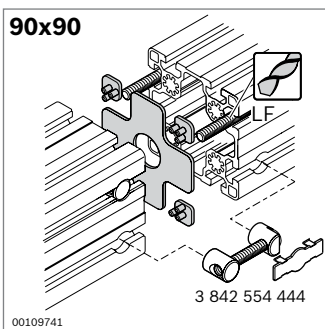
Longitudinal end connection	No.
<b>45x90</b>	<b>3 842 508 087</b>

Material: Seal: PUR  
Spacer: PA  
Scope of delivery: seal, 2 x spacer



Longitudinal end connection	No.
<b>45x180</b>	<b>3 842 508 088</b>

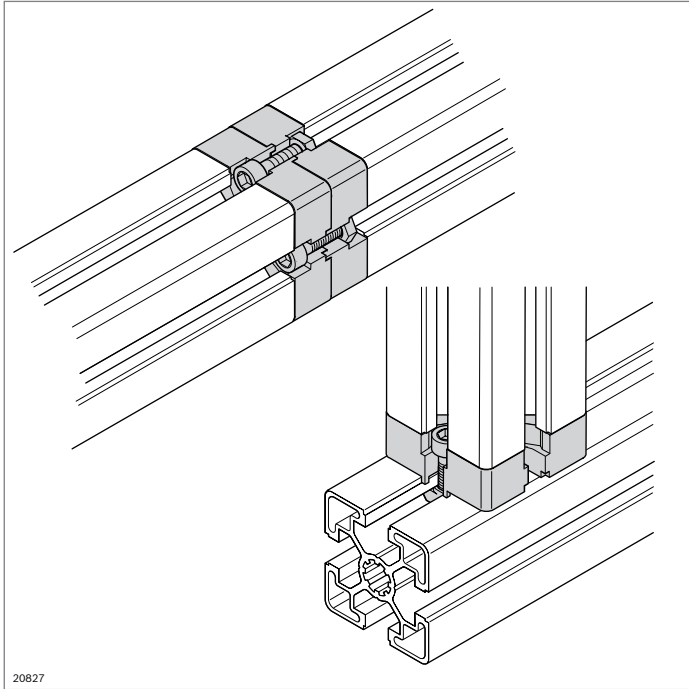
Material: Seal: NBR  
Spacer: PA  
Scope of delivery: seal, 2 x spacer



Longitudinal end connection	No.
<b>90x90</b>	<b>3 842 510 145</b>

Material: Seal: NBR  
Spacer: PA  
Scope of delivery: seal, 4 x spacer

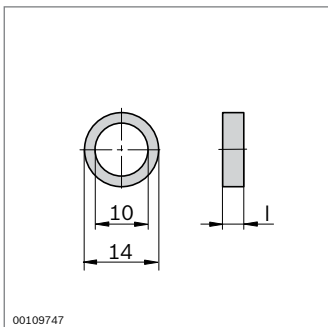
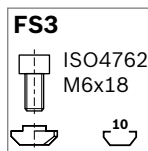
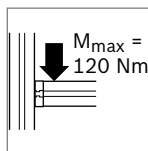
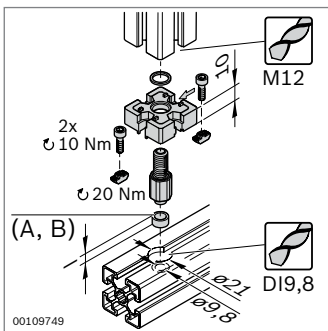
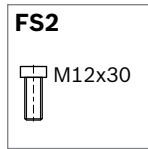
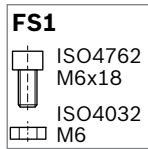
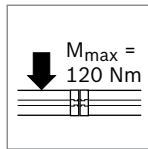
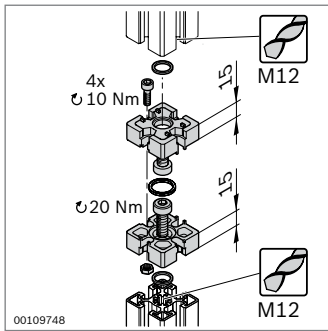
**Note:** Only suitable for light profile 90x90L.



### Longitudinal end connector 45 Pneu T-connector 45 Pneu, seal



- ▶ Longitudinal end connector 45 Pneu for end face mechanical and pneumatic connections of two 45x45 or 45x45L profiles for using the central hole as a compressed-air lead
- ▶ T-connector 45 Pneu for the mechanical and pneumatic connection of two 45x45 or 45x45L profiles at under a 90° angle for using the central hole as a compressed-air lead
- ▶ Profile finishing: M12 in central hole; blind hole D19,8; blind hole ø21 mm (drilling jig **3 842 528 574**, p. 14-3)
- ▶ For a maximum pressure ( $p_{max}$ ) of 8 bar



Longitudinal end connector	No.	FS
<b>45 Pneu</b>	<b>3 842 523 094</b>	4xFS1, 2xFS2

Material: Longitudinal end connector: Die-cast aluminum  
Seal: NBR

Scope of delivery: incl. fastening material, sealing rings

T-connector	No.	FS
<b>45 Pneu</b>	<b>3 842 523 093</b>	2xFS3

Material: T-connector: Die-cast aluminum  
Seal: NBR

Scope of delivery: incl. fastening material, seals (A, B) for standard and light profiles

- ▶ Seal for connection piece and T-connector

Seal	l (mm)	No.
<b>A</b> For standard profiles	4 10	<b>3 842 503 242</b>
<b>B</b> For light profiles	7 10	<b>3 842 523 102</b>

Material: NBR

# Feet and wheels



Modular leveling feet  
(p. 6-2)



Leveling foot, foot,  
damping ring (p. 6-4)



Plate (p. 6-6)



Base plate, steel (p. 6-8)



Base plate (p. 6-10)



Base plate (p. 6-11)



Foot (p. 6-12)



Foot, stainless steel  
(p. 6-14)



Double wheel (p. 6-16)



Wheel (p. 6-17)



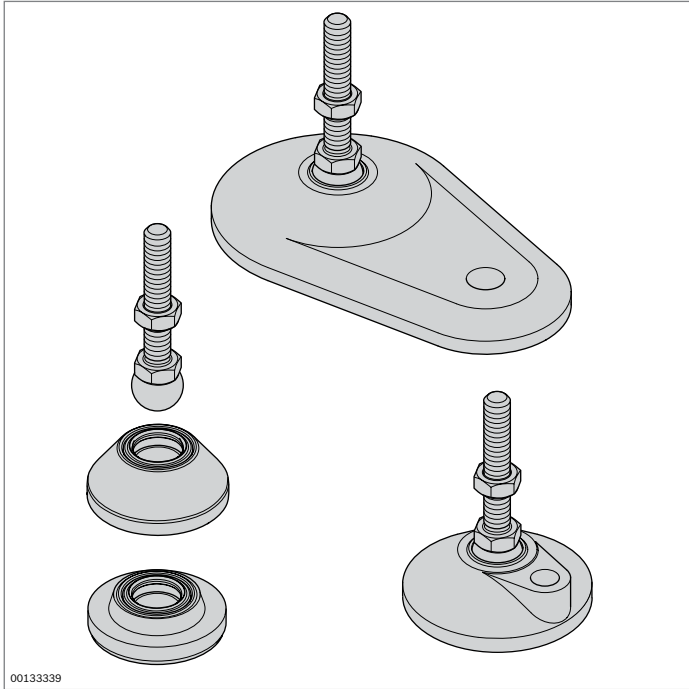
Heavy-duty wheel (p. 6-20)



Lifting wheel (p. 6-22)



Roller with mounting flange  
(p. 6-24)

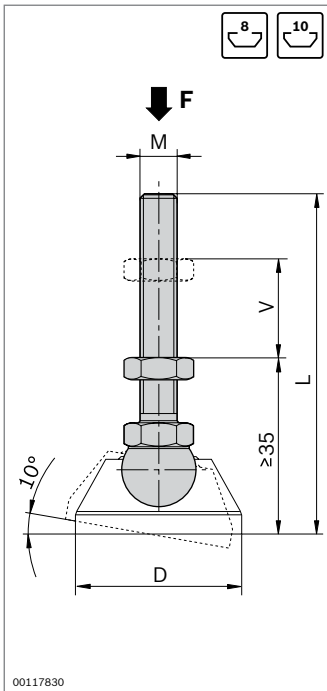


### Modular leveling feet



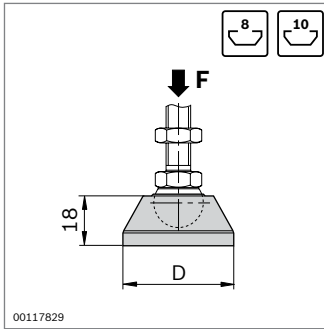
- ▶ Leveling feet for compensating irregularities in the floor up to 10°
  - Modular system, various combinations possible
  - Spindles and base plates can be combined as desired
  - Base plates with screw hole for simple screw fitting to the floor
- ▶ The damping plate prevents the transfer of vibrations and allows a defined conduction of voltages via a set of grounding components (p. 17-2)
- ▶ Profile finishing: thread M in central hole

Accessories: bearing ring (p. 6-16)

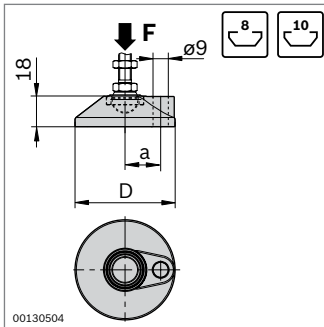


Spindle	F (N)	M	L (mm)	V (mm)	ESD	No.
<b>Stainless steel</b>	10000	M8	75	20		20 <b>3 842 536 811</b>
	20000	M12	85	30		20 <b>3 842 536 812</b>
	20000	M12	145	80		20 <b>3 842 537 223</b>
	20000	M12	200	135		20 <b>3 842 537 225</b>
	30000	M16	85	20		20 <b>3 842 537 227</b>
	30000	M16	145	80		20 <b>3 842 537 229</b>
	30000	M16	200	135		20 <b>3 842 537 231</b>
	<b>steel; galvanized</b>	10000	M8	75	20	
20000		M12	85	30		20 <b>3 842 537 222</b>
20000		M12	145	80		20 <b>3 842 537 224</b>
20000		M12	200	135		20 <b>3 842 537 226</b>
30000		M16	85	20		20 <b>3 842 537 228</b>
30000		M16	145	80		20 <b>3 842 537 230</b>
30000		M16	200	135		20 <b>3 842 537 232</b>



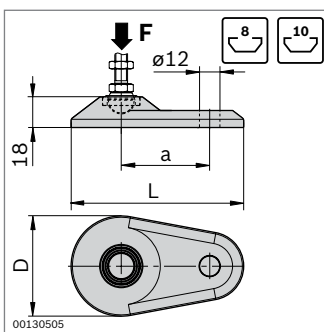


Base plate	F (N)	D (mm)	ESD	No.
<b>Stainless steel</b>	20000	29	▲	20 <b>3 842 536 694</b>
	30000	39	▲	20 <b>3 842 536 695</b>
	30000	44	▲	20 <b>3 842 536 696</b>
	30000	59	▲	20 <b>3 842 538 673</b>
	30000	79	▲	20 <b>3 842 537 206</b>
<b>diecast zinc, black powder coating</b>	20000	29		20 <b>3 842 538 674</b>
	30000	39		20 <b>3 842 538 675</b>
	30000	44		20 <b>3 842 538 676</b>
	30000	59		20 <b>3 842 538 677</b>
	30000	79		20 <b>3 842 538 678</b>
<b>PA; black</b>	5000	29		20 <b>3 842 538 832</b>
	9000	39		20 <b>3 842 538 833</b>
	9000	44		20 <b>3 842 538 834</b>
	9000	59		20 <b>3 842 538 835</b>
	9000	79		20 <b>3 842 538 836</b>



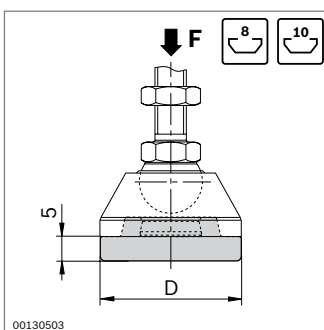
Base plate with screw hole	F (N)	D (mm)	a (mm)	No.
	30000	59	21	20 <b>3 842 538 932</b>
	30000	79	31	20 <b>3 842 538 934</b>

Material: diecast zinc, black powder coating



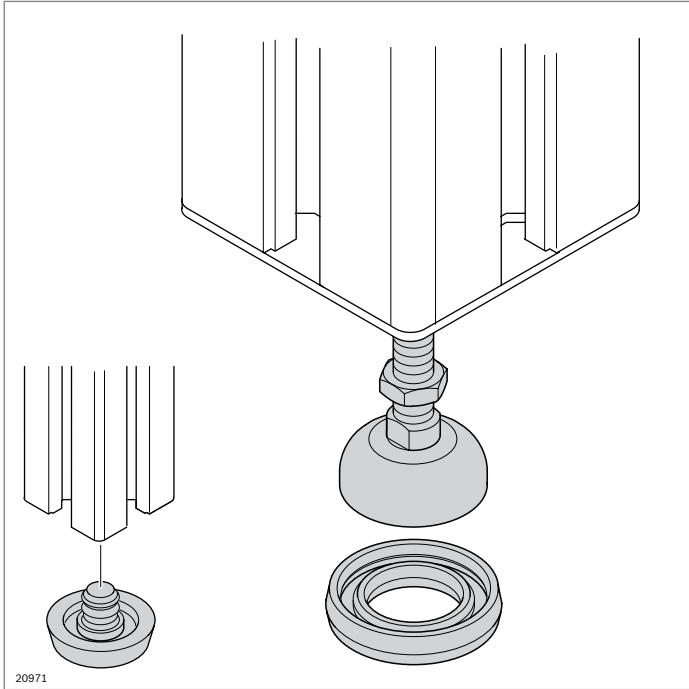
Oval base plate with screw hole	F (N)	D (mm)	a (mm)	L (mm)	No.
	30000	59	52	100	20 <b>3 842 538 679</b>
	30000	79	65	130	20 <b>3 842 538 680</b>

Material: diecast zinc, black powder coating

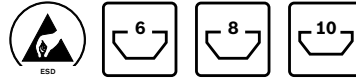


Damping plate	F (N)	D (mm)	No.
	1100	29	20 <b>3 842 538 555</b>
	1600	39	20 <b>3 842 538 556</b>
	2000	44	20 <b>3 842 538 557</b>
	2500	59	20 <b>3 842 538 558</b>
	2800	79	20 <b>3 842 538 559</b>

Material: PUR, black



### Leveling foot, foot, damping ring



#### Leveling foot

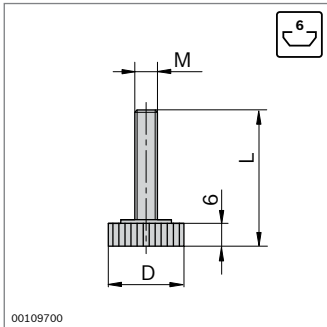
- ▶ For compensating irregularities in the floor up to 5°
- ▶ Fully assembled spindle and base plate
- ▶ Profile finishing: thread in central hole

#### Damping ring

- ▶ The electrically insulating damping ring prevents the transfer of vibrations and allows a defined conduction of voltages via a set of grounding components (p. 17-2)

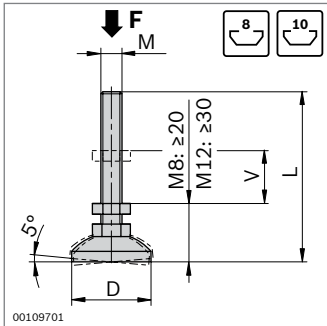
Optional accessories:

bearing ring (p. 6-16), for when cover caps with a hole are used



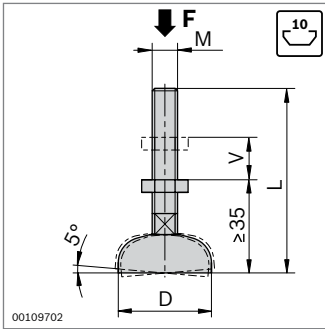
Leveling foot	M	D (mm)	L (mm)		No.
	M6	20	41	20	<b>3 842 518 743</b>

Material: steel/plastic



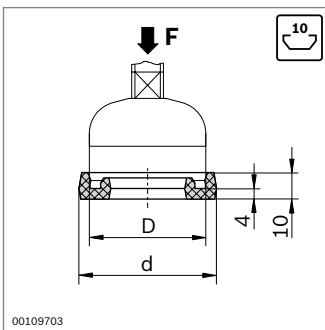
Leveling foot	F (N)	M	D (mm)	L (mm)	V (mm)	ESD		No.
	5000	M8	30	65	15		20	<b>3 842 502 257</b>
	8000	M12	30	72	14		20	<b>3 842 529 025</b>

Material: steel; galvanized



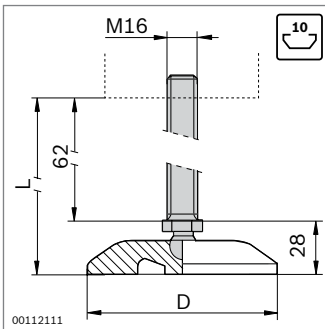
Leveling foot	F (N)	M	D (mm)	L (mm)	V (mm)	ESD	No.
	10000	M12	44	85	30		20 <b>3 842 352 061</b>
	20000	M16	44	145	80		20 <b>3 842 311 956</b>
	10000	M12	44	160	80		20 <b>3 842 536 470</b>
	20000	M16	44	200	135		20 <b>3 842 554 149</b>
	10000	M12	58	85	30		20 <b>3 842 511 893</b>
	20000	M16	90	85	20		20 <b>3 842 311 950</b>
	20000	M16	90	145	80		20 <b>3 842 311 951</b>
	20000	M16	90	200	135		20 <b>3 842 527 186</b>

Material: steel; galvanized



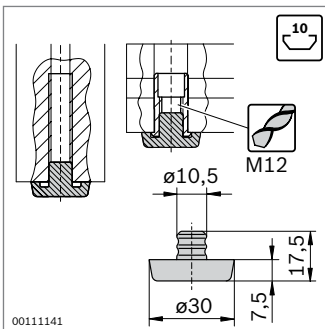
Damping ring	F (N)	D (mm)	d (mm)	No.
	1600	30	39	20 <b>3 842 529 024</b>
	2000	44	52	20 <b>3 842 521 817</b>
	2500	58	66	20 <b>3 842 522 301</b>
	3000	90	98	20 <b>3 842 522 303</b>

Material: PUR; natural, hardness: shore A 70-80



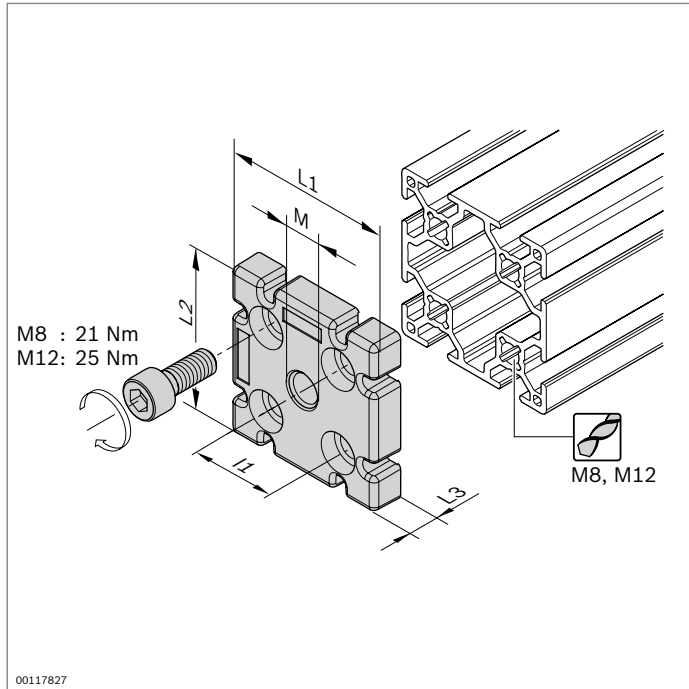
Leveling foot	M	D (mm)	L (mm)	V (mm)	No.
	M16	80	95	62	1 <b>3 842 533 310</b>

Material: Shaft: Stainless steel  
Base plate: PA



Foot	No.
	100 <b>3 842 514 568</b>

Material: TPE, black



**Plate**



- ▶ For fastening leveling feet in profiles without a central hole
- ▶ For use as an end connector or T-connector
- ▶ Profile finishing: tapping of thread in the central hole

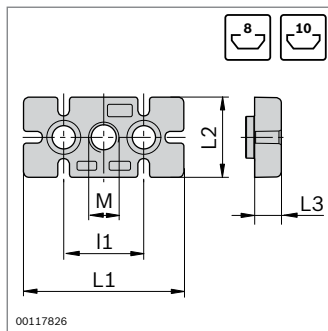


Plate	F (N)	M	L1 (mm)	I1 (mm)	L2 (mm)	L3 (mm)	No.	FS
<b>30x60</b>	8000	M12	60	30	30	11	<b>3 842 536 560</b>	2xFS1
<b>40x80</b>	10000	M12	80	40	40	15	<b>3 842 536 562</b>	2xFS2
<b>45x90</b>	20000	M16	90	45	45	15	<b>3 842 536 564</b>	2xFS2

Material: Plate: Die-cast aluminum  
Fastening material: steel; galvanized  
Scope of delivery: incl. fastening material (FS)

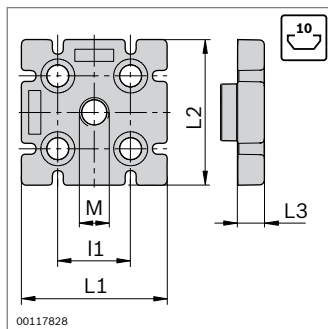
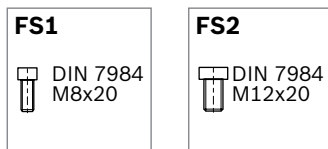
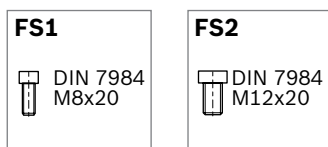
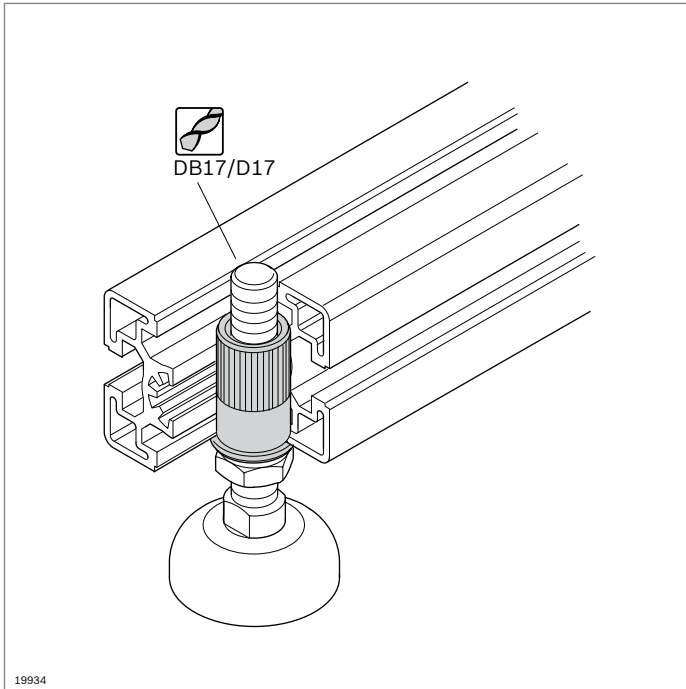


Plate	F (N)	M	L1 (mm)	I1 (mm)	L2 (mm)	L3 (mm)	No.	FS
<b>60x60 8N</b>	10000	M12	60	30	60	11	<b>3 842 536 566</b>	4xFS1
<b>80x80L</b>	10000	M12	80	40	80	15	<b>3 842 529 416</b>	4xFS2
<b>90x90L</b>	20000	M16	90	45	90	15	<b>3 842 511 352</b>	4xFS2
<b>100x100L</b>	20000	M16	100	50	100	15	<b>3 842 529 417</b>	4xFS2

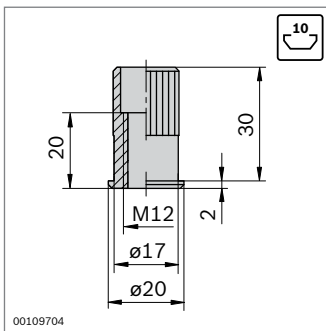
Material: Plate: Die-cast aluminum  
Fastening material: steel; galvanized  
Scope of delivery: incl. fastening material (FS)





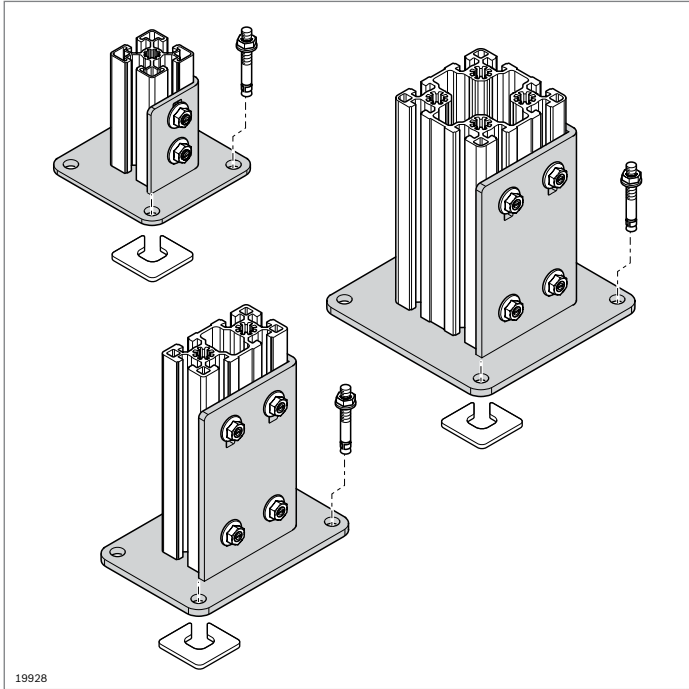
### Threaded sleeve

- ▶ For fastening leveling feet at an angle to the longitudinal profile direction
- ▶ Profile finishing:
  - drilling of blind hole DB17
  - drilling of through-hole D17



Threaded sleeve	No.
	<b>3 842 504 790</b>

Material: steel; galvanized



### Base plate, steel

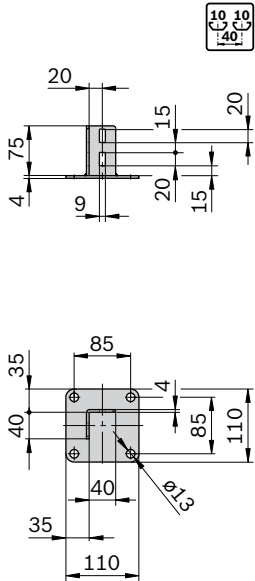


- ▶ For constructing supports for partition walls and protective walls
- ▶ Profile finishing: not required

#### Accessories:

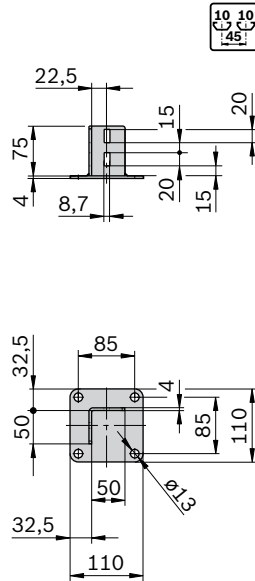
- ▶ T-bolt M8x20, 10 mm slot (p. 3-6)
- ▶ Flange nut M8 (p. 3-6)
- ▶ Floor dowl **3 842 526 561** (p. 6-12)
- ▶ Washer (p. 6-13)

#### 40x40



00139153

#### 45x45

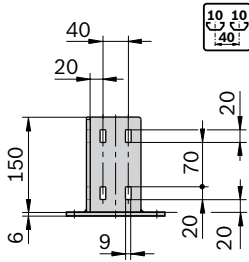


00117832

Base plate, steel	ESD	No.
40x40		3 842 542 667
45x45		3 842 536 581

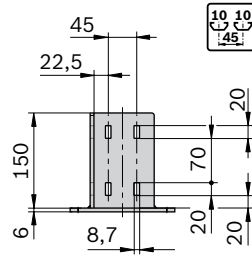
Material: steel; galvanized

**40x80**



00139154

**45x90**

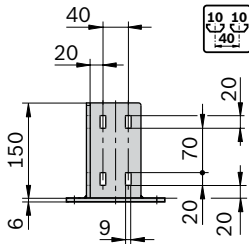


00117834

Base plate, steel	ESD No.
40x80	3 842 542 668
45x90	3 842 536 207

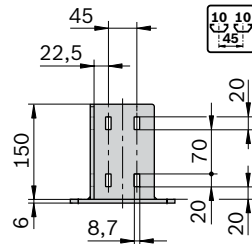
Material: steel; galvanized

**80x80**



00139155

**90x90**



00117836

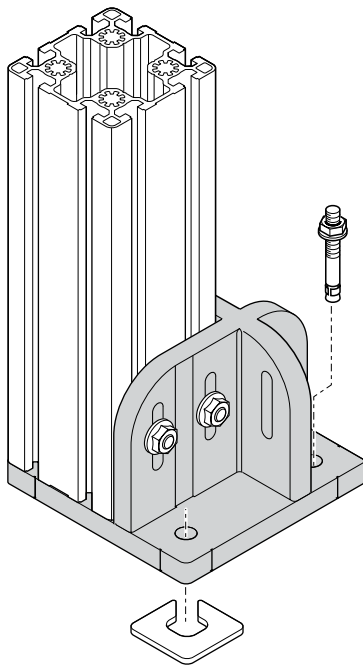
Base plate, steel	ESD No.
80x80	3 842 542 669
90x90	3 842 536 746

Material: steel; galvanized



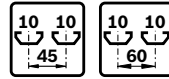


120x120  
150x150



19929

### Base plate 120x120, 150x150

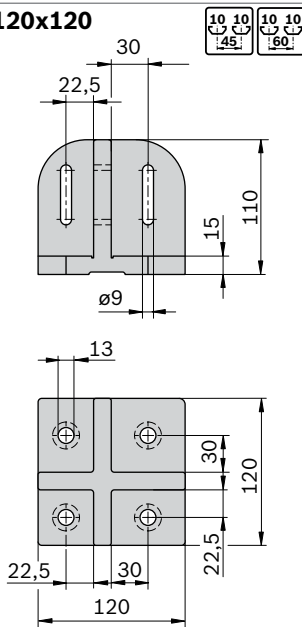


- ▶ For flush mounting of supports. No tripping hazards!
- ▶ Markings arranged at the center of the profile for precise alignment
- ▶ Anchoring with floor dowel

Required accessories:

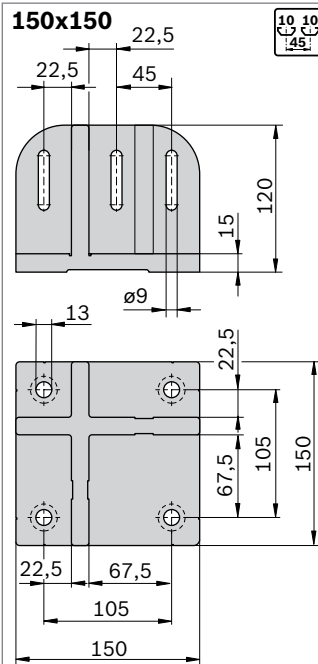
- ▶ T-bolt M8x30 **3 842 528 721** (p. 3-6)
- ▶ Flange nut M8 **3 842 345 081** (p. 3-6)
- ▶ Floor dowel **3 842 526 561** (p. 6-12)
- ▶ Washer (p. 6-13)

120x120



00109708

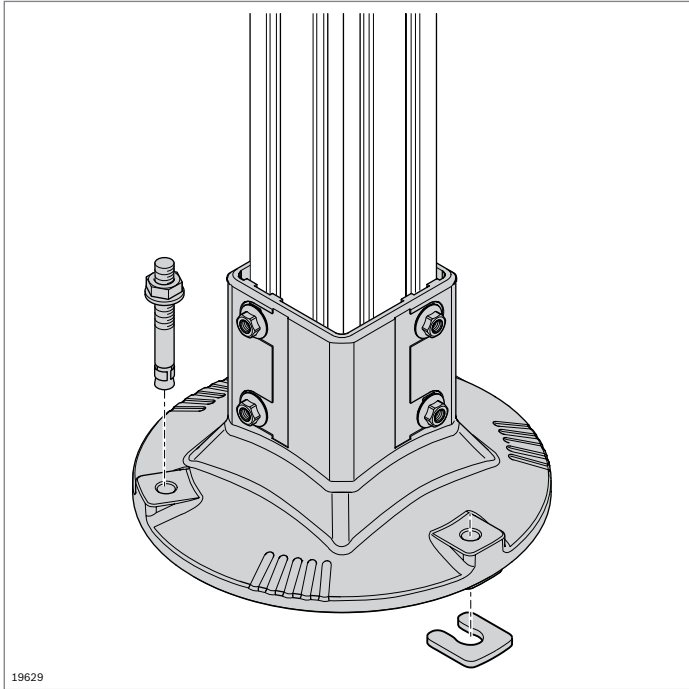
150x150



00109711

Base plate	ESD	No.
120x120	⚠	3 842 527 553
150x150	⚠	3 842 524 469

Material: Die-cast aluminum



### Foot Floor dowel, washer

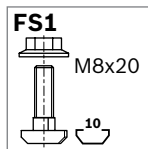
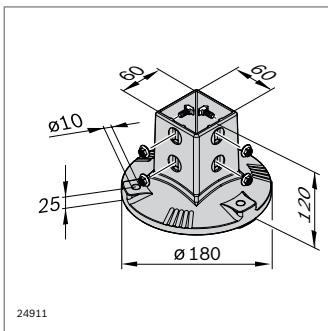
#### Foot

- ▶ For constructing supports made of 80x80L and 60x60 profiles
- ▶ Large installation surface for good stability
- ▶ Easy cleaning due to small number of horizontal surfaces
- ▶ Open on the inside to allow draining of liquids
- ▶ End stop as depth limit for profile (removable)

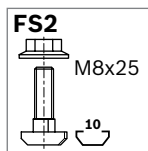
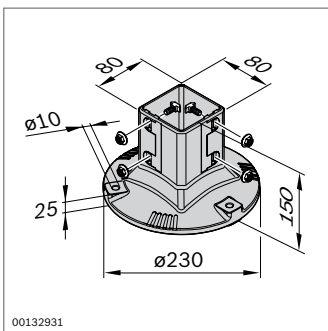
Required accessories:

- ▶ floor dowel **3 842 540 668**
- ▶ washer **3 842 546 717** or **3 842 546 718**

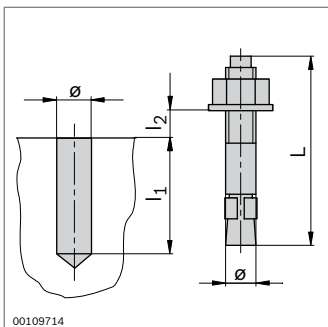
19629



24911



00132931



00109714

Foot, AL	No.	FS
<b>60x60</b>	1 <b>3 842 544 875</b>	4xFS1

Material: aluminum, silver coating (RAL 9006)  
Fastening material: steel; galvanized  
Scope of delivery: incl. fastening material (FS1)

Foot	No.	FS
<b>80x80</b>	<b>3 842 540 173</b>	4xFS2

Material: aluminum, silver coating (RAL 9006)  
Fastening material: steel; galvanized  
Scope of delivery: incl. fastening material (FS1)

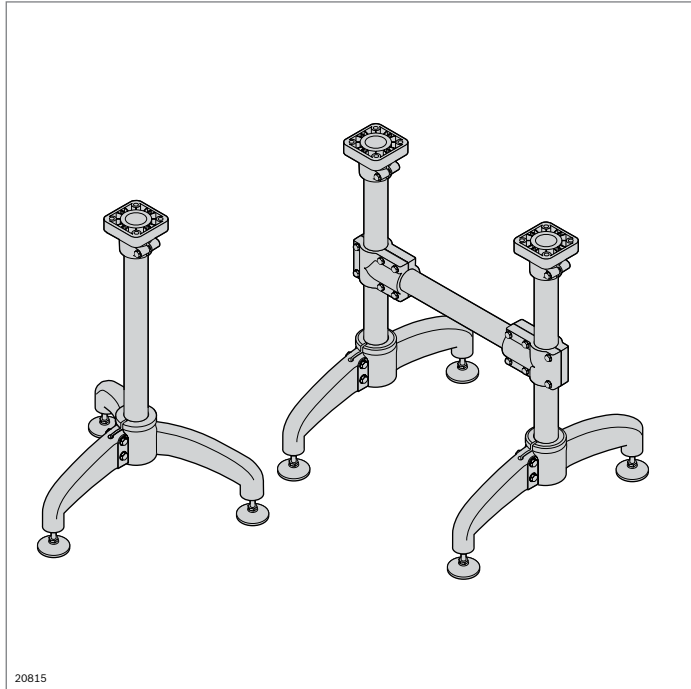
#### Floor dowel

- ▶ For anchoring the base plates

Floor dowel	ø	L	l <sub>1</sub>	l <sub>2 max</sub>	No.
	(mm)	(mm)	(mm)	(mm)	
	8	80	65	15 100	<b>3 842 526 560</b>
	10	90	70	15 100	<b>3 842 526 561</b>
	8	95	65	30 100	<b>3 842 540 668</b>

Material: steel; galvanized

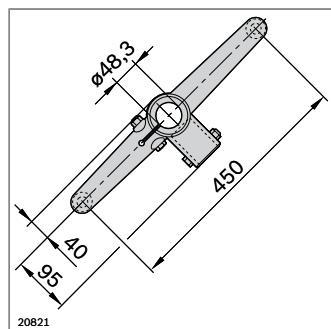
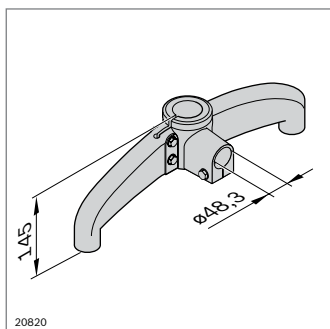
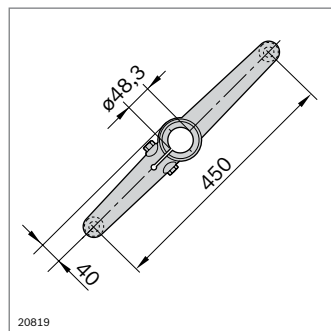
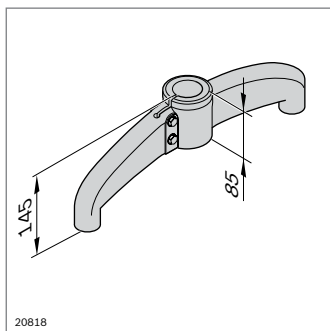
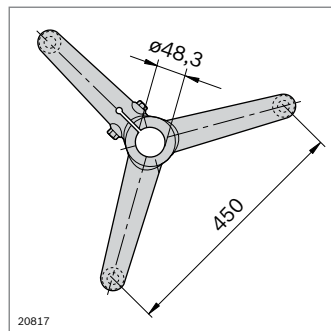
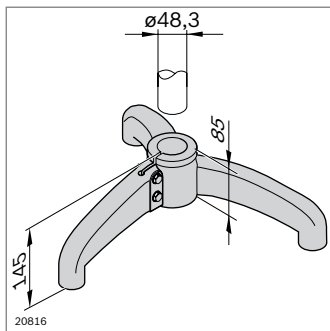




### Foot, stainless steel

- ▶ Components for constructing feet and frames using the stainless steel tube D 48.3
- ▶ Tube fastened by clamping
- ▶ Shaft thread M16

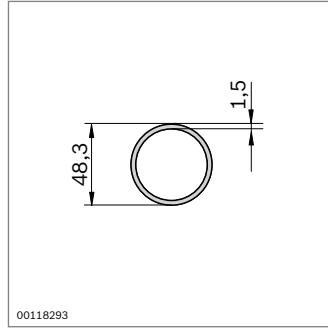
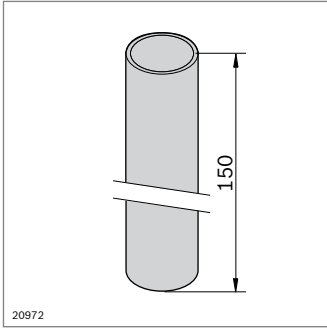
Optional accessories:  
leveling foot **3 842 533 310** (p. 6-5)



Foot	No.
<b>Tripod</b>	<b>3 842 533 307</b>
Material:	Foot: Stainless steel Fastening material: Stainless steel

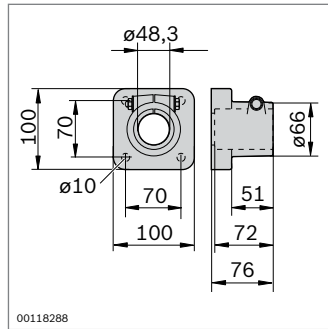
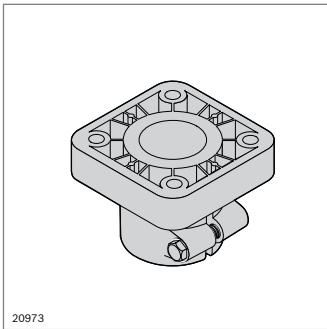
Foot	No.
<b>Bipod</b>	<b>3 842 533 308</b>
Material:	Foot: Stainless steel Fastening material: Stainless steel

Foot	No.
<b>Bipod with flange</b>	<b>3 842 533 309</b>
Material:	Foot: Stainless steel Fastening material: Stainless steel



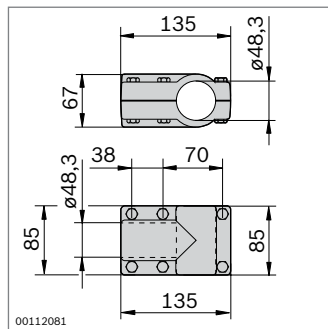
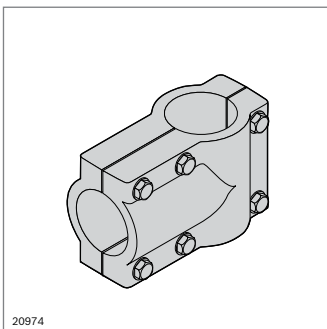
<b>Tube D 48.3</b>		<b>L (mm) No.</b>	
1 pcs		200 ... 3000	<b>3 842 993 308 / L</b>
	6 pcs	3000	<b>3 842 533 901</b>

Material: Stainless steel



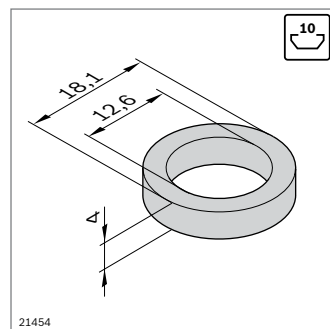
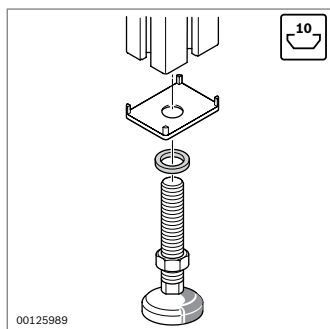
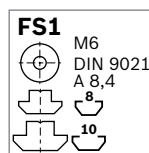
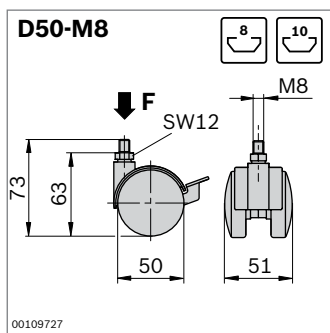
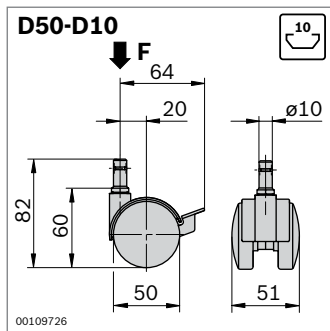
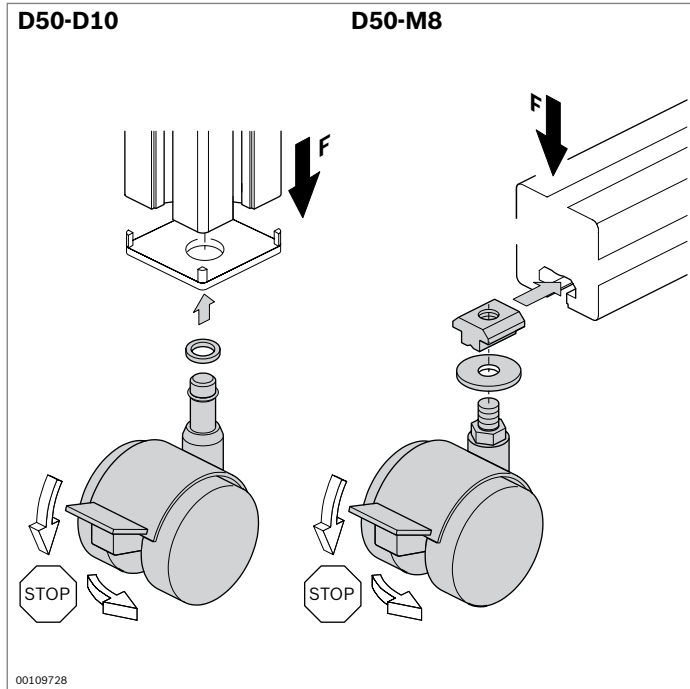
<b>Flange</b>		<b>No.</b>
		<b>3 842 533 305</b>

Material: Flange: PA  
Fastening material: Stainless steel



<b>Cross connector</b>		<b>No.</b>
		<b>3 842 533 306</b>

Material: PA  
Fastening material, adjustment screw: Stainless steel



## Double wheel



- ▶ Attractive-looking double wheel for light applications
- ▶ Made of oil-resistant material
- ▶ Double wheel with lock
- ▶ Double wheel D50-D10 for insertion in the central hole with a diameter of 10 mm
- ▶ Double wheel D50-M8 for bolting into the profile slot

Double wheel	F (N)	ESD	No.
D50-D10	400	4	3 842 515 457
	400	4 <sup>1)</sup>	3 842 515 459

<sup>1)</sup> Conduction resistance  $\leq 10^6 \Omega$

Material: Housing, wheel, lock: PA  
 Running surface: PU (not with ESD version)  
 Fastening material: steel; galvanized

Double wheel	F (N)	ESD	No.	FS
D50-M8	400	4	3 842 535 669	FS1
	400	4 <sup>1)</sup>	3 842 535 670	FS1

<sup>1)</sup> Conduction resistance  $\leq 10^6 \Omega$

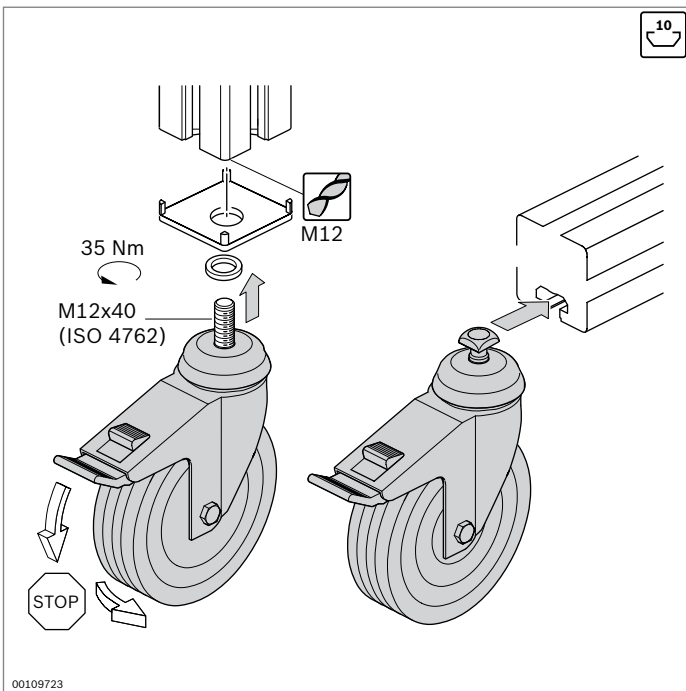
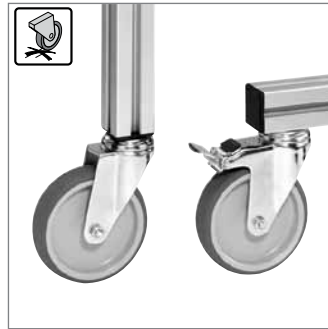
Material: Housing, wheel, lock: PA  
 Running surface: PU (not with ESD version)  
 Fastening material: steel; galvanized

## Bearing ring

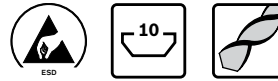
- ▶ For cover caps with hole in the sizes 40x40, 45x45, 50x50 and 60x60
- ▶ For M12 threads
- ▶ To protect the caps when tightening accessories

Bearing ring	No.
	100 3 842 555 653


Material: diecast zinc




## Wheel





- ▶ Versatile range of uses
- ▶ Wheels with excellent running properties
- ▶ Available as a caster wheel with lock, caster, and trestle wheel

 Especially gentle on floors

 Resistant to oil, for use in workshop areas

**Clean Room** Suitable for use in cleanrooms.  
Conductive material version in accordance with DIN EN 61340-5-1; conduction resistance  $10^3$  to  $10^8 \Omega$

 Rubber running surface made of solid rubber with good deformation elasticity. No permanent flattening of the wheel due to it traveling over edges or not being moved for long periods







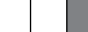















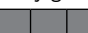


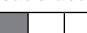
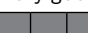

 Suitable for ESD-sensitive areas.  
Conductive material version in accordance with DIN EN 61340-5-1; conduction resistance  $\leq 10^6 \Omega$

- ▶ Mounting of all wheel in the profile slot or central hole (accessories required)
- ▶ Profile finishing: thread cutting M12 in the case of assembly in central hole

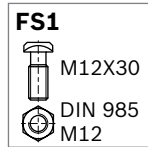
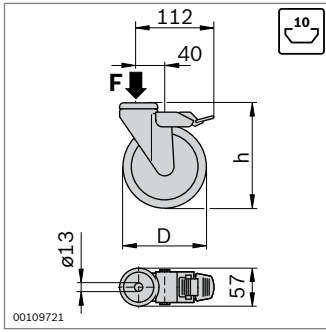
### Required accessories:

- ▶ Screw M12x40 (ISO 4762) for mounting in central hole ( $\cup$  35 Nm)
- ▶ Bearing ring if cover cap with hole is used (p. 6-16)

Wheel selection guide

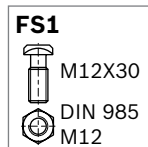
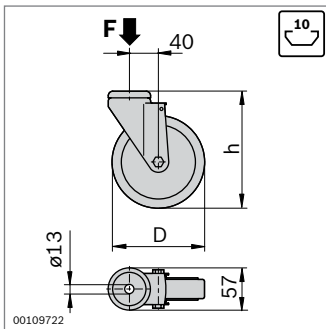
				
<b>Tread</b>	<b>Thermoplastic rubber</b>	<b>Polyamide 6</b>	<b>Solid rubber</b>	<b>Polyurethane</b>
<b>ESD</b>	yes / no (either possible)	No	Yes	Yes
<b>Tread hardness</b>	 85° shore A	 70° shore D	 80° shore A	 94° shore A
<b>Temperature resistance</b>	 -20 °C ... +60 °C	 -25 °C ... 80 °C	 -20 °C ... +60 °C	 -20 °C ... +60 °C
<b>Rolling resistance</b>	 very good	 outstanding	 good	 very good
<b>Travel noise</b>	 good	 satisfactory	 very good	 good
<b>Floor protection</b>	 good	 satisfactory	 very good	 good
<b>Deformation elasticity</b>	 satisfactory	 adequate	 very good	 good
<b>Tread color</b>	gray	black	black	gray
<b>Makes no track marks</b>	Yes	Yes	No	Yes



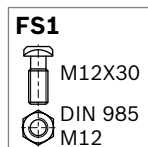
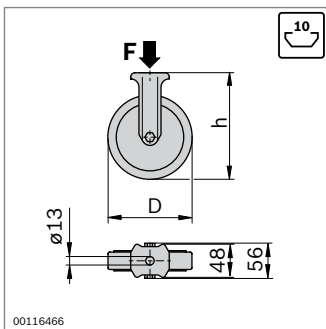


► Steerable caster with lock: lock prevents the wheel from rolling or turning

Caster wheel with lock	F (N)	D (mm)	h (mm)	ESD	No.	FS
	900	80	108		<b>3 842 541 226</b>	FS1
	1100	125	158		<b>3 842 541 228</b>	FS1
	900	80	108		<b>3 842 541 230</b>	FS1
	1100	125	158		<b>3 842 541 232</b>	FS1
	1100	125	158		<b>3 842 515 367</b>	FS1
	1000	125	158		<b>3 842 524 499</b>	FS1
	600	80	108		<b>3 842 547 836</b>	FS1
	800	125	158		<b>3 842 547 838</b>	FS1

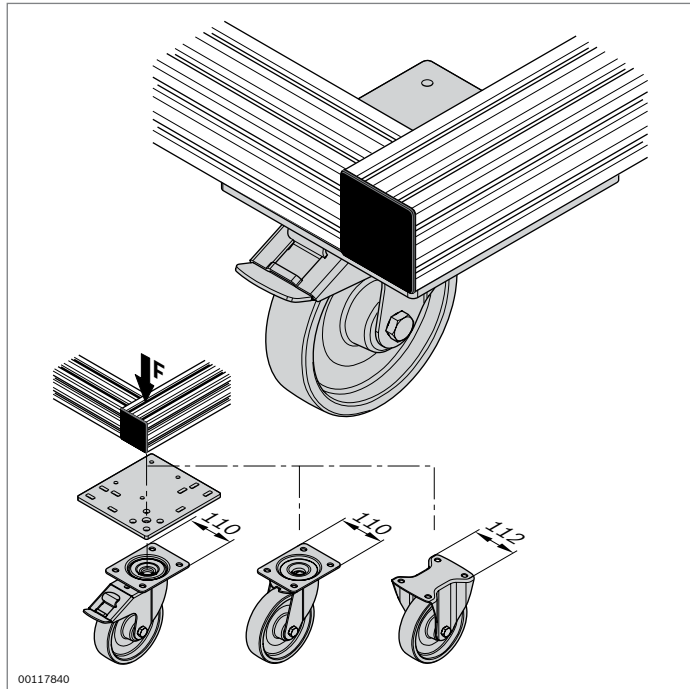


Caster wheel	F (N)	D (mm)	h (mm)	ESD	No.	FS
	900	80	108		<b>3 842 541 234</b>	FS1
	1100	125	158		<b>3 842 541 236</b>	FS1
	900	80	108		<b>3 842 541 238</b>	FS1
	1100	125	158		<b>3 842 541 240</b>	FS1
	1100	125	158		<b>3 842 515 366</b>	FS1
	1000	125	158		<b>3 842 524 500</b>	FS1
	600	80	108		<b>3 842 547 835</b>	FS1
	800	125	158		<b>3 842 547 837</b>	FS1



Trestle wheel	F (N)	D (mm)	h (mm)	ESD	No.	FS
	900	80	108		<b>3 842 541 242</b>	FS1
	1100	125	158		<b>3 842 541 244</b>	FS1
	600	80	108		<b>3 842 547 839</b>	FS1
	800	125	158		<b>3 842 547 840</b>	FS1

- Material:
- Thermoplastic rubber
  - Reinforced PA
  - Gray PU; housing: steel, chrome-plated
  - Solid rubber
  - Conductive, conduction resistance  $\leq 10^6 \Omega$



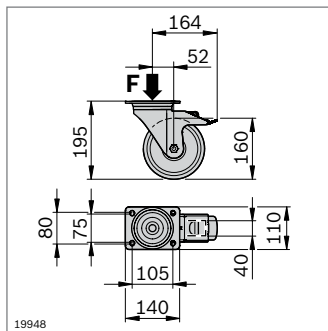
## Heavy-duty wheel



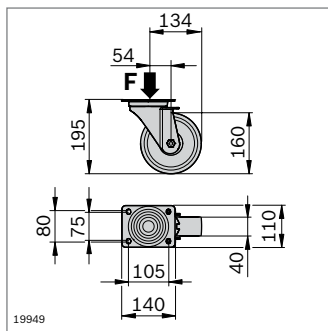
- ▶ Heavy-duty wheel with mounting flange
- ▶ Available as a caster wheel with lock, caster, and trestle wheel
- ▶ Heavy-duty, particularly suited for workshop applications
- ▶ Wheels with excellent running properties

Required accessories:

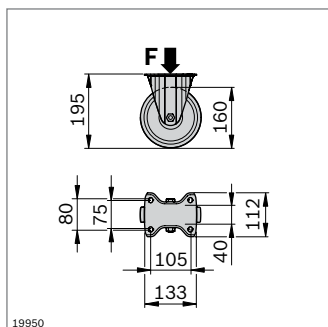
- ▶ screw M10x16 (ISO 4762), washer ISO 7089-10, lock washer 10FSt for fastening to the screw-on plate
- ▶ T-bolt, flange nut, central bolt M12 or S12 for fastening the screw-on plate to the profile frame



19948



19949



19950

Caster wheel with lock	F (N)	No.
	3000	<b>3 842 536 736</b>

Material: Housing: steel, galvanized,  
Wheel: TPU

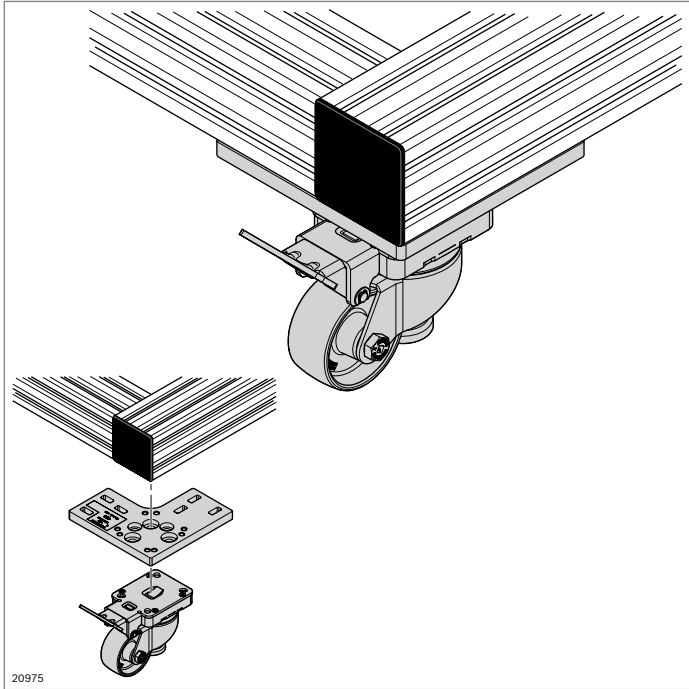
Caster wheel	F (N)	No.
	3000	<b>3 842 536 737</b>

Material: Housing: steel, galvanized,  
Wheel: TPU

Trestle wheel	F (N)	No.
	3000	<b>3 842 536 738</b>

Material: Housing: steel, galvanized,  
Wheel: TPU





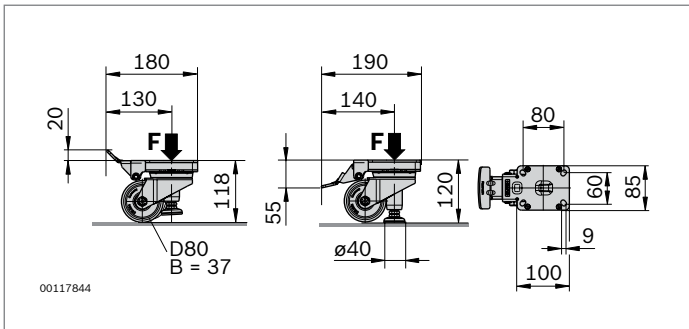
## Lifting wheel



- ▶ Steerable lifting wheel
- ▶ The wheel turns into a stable base simply by engaging the stop lever
- ▶ Screw-on plate for mounting the lifting wheel
- ▶ With “Ideal-Stop”: locking lever does not swivel with the steerable caster but remains in the defined position. The locking lever is fixed in position on the frame by means of the screw-on plate, and the caster wheel moves freely

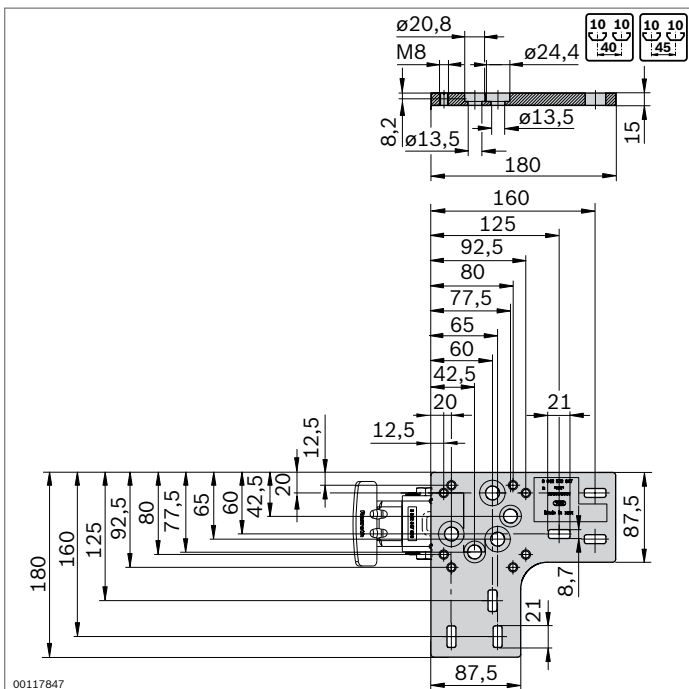
Required accessories:

- ▶ screw M8x35 (ISO 4762), washer 8 (DIN EN ISO 7089), locking washer 8 FSt for attaching to the screw-on plate
- ▶ T-bolt M8x30 (p. 3-6), flange nut M8 (p. 3-6), central bolt M12 or S12 (p. 3-40) for fastening the screw-on plate to the profile frame



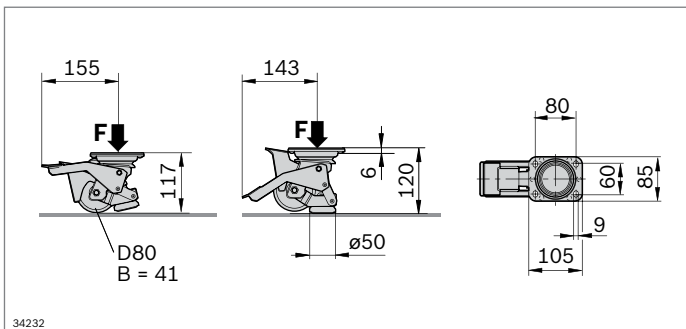
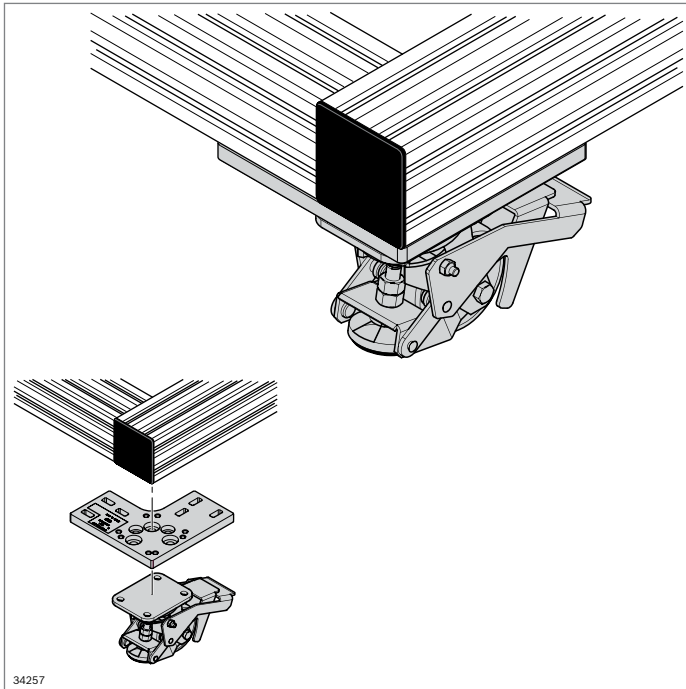
Lifting wheel	F (N)	No.
	2300	3 842 547 890

Material: Wheel: PA6, natural white  
Housing: steel; galvanized  
Base plate: rubber; gray



Screw-on plate	No.
	4 3 842 553 967

Material: Die-cast aluminum



## Lifting wheel - rotatable pedal



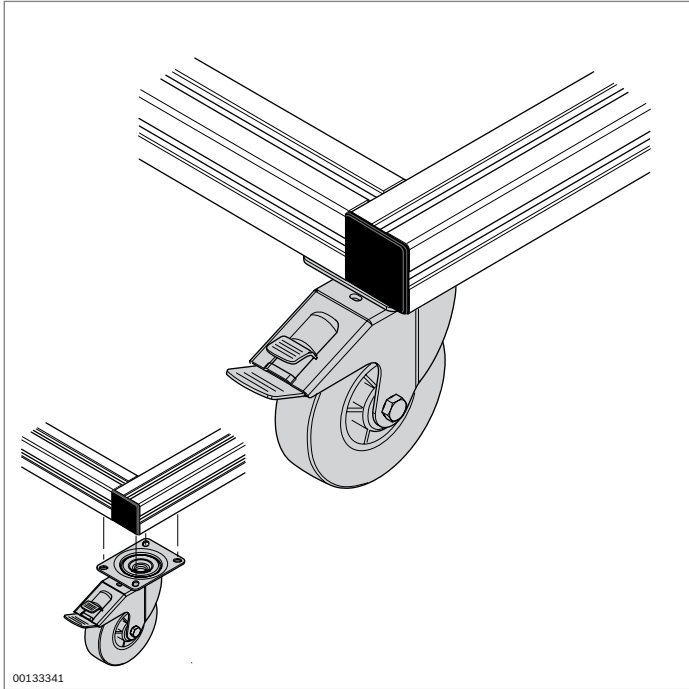
- ▶ Steerable lifting wheel
- ▶ The wheel turns into a stable base simply by engaging the stop lever
- ▶ The locking lever moves with the wheel
- ▶ The locking lever can be moved under the frame if necessary

### Required accessories:

- ▶ screw M8x20 (ISO4762), washer 8 (DIN EN ISO 7089), locking washer 8 FSt for attaching to the screw-on plate
- ▶ Screw-on plate 3 842 553 967 (p. 6-22)
- ▶ T-bolt, flange nut, central bolt M12 or S12 for fastening the screw-on plate to the profile frame

Lifting wheel	F (N)	No.
Rotatable pedal	2000	3 842 555 610

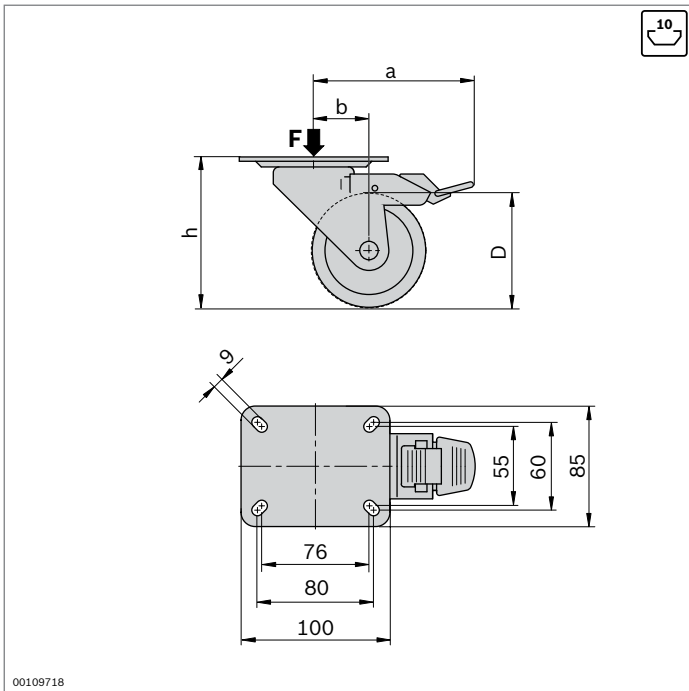
Material: Wheel: PA6, natural white  
 Housing: steel; galvanized  
 Base plate: PA; rubber black



## Wheel with mounting flange

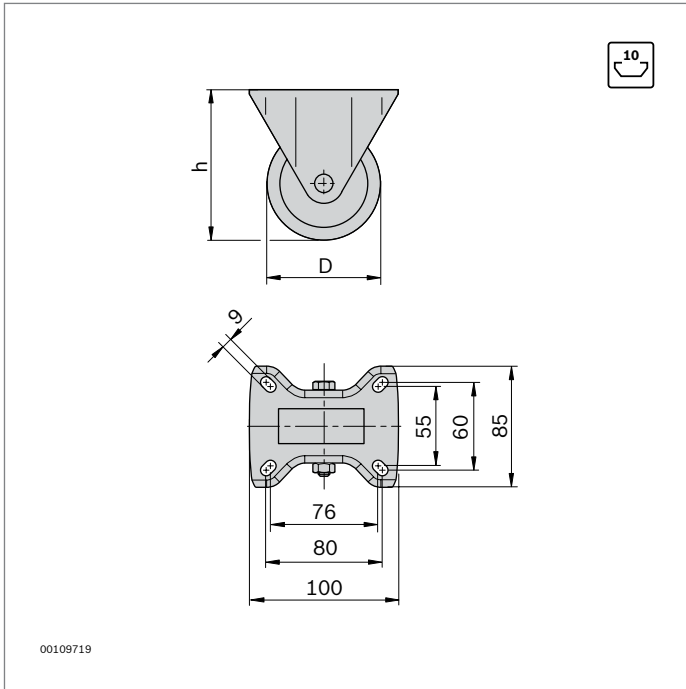


- ▶ Robust rollers with mounting flange
- ▶ Good running properties, particularly suitable for workshop areas
- ▶ Available as a caster wheel with lock and as a trestle wheel
- ▶ Steerable caster with lock: lock prevents the wheel from rolling or turning



Caster wheel	F (N)	D	h	a	b	No.
		(mm)	(mm)	(mm)	(mm)	
	600	100	125	113	36±2	<b>3 842 259 790</b>
	900	125	150	123	40±2	<b>3 842 259 791</b>

Material:  
 Wheel: Solid rubber  
 Rims: polypropylene  
 Housing: sheet steel; galvanized



**FS1**

- ISO 4762
- M8x16
- 8-FSt
- DIN 125, 8,4
- M8
- 

Trestle wheel	F (N)	D (mm)	h (mm)	No.
	600	100	125	<b>3 842 259 792</b>
	900	125	150	<b>3 842 259 793</b>

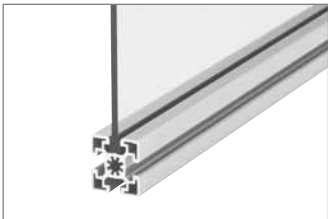
Material: Wheel: Solid rubber  
 Rims: polypropylene  
 Housing: sheet steel; galvanized

Mounting kit	No.	FS
	<b>3 842 259 794</b>	3xFS1





# Mounting of surface elements



Mounting rim profile (p. 7-2)



Mounting rim profile Clean (p. 7-3)



Protective pane profile, PVC (p. 7-4)



Protective pane profile for cleanroom (p. 7-5)



Variofix block (p. 7-6)  
Variofix block S (p. 7-7)



Bracket S (p. 7-8)



Retainer ring (p. 7-9)



Cover strip profile (p. 7-10)



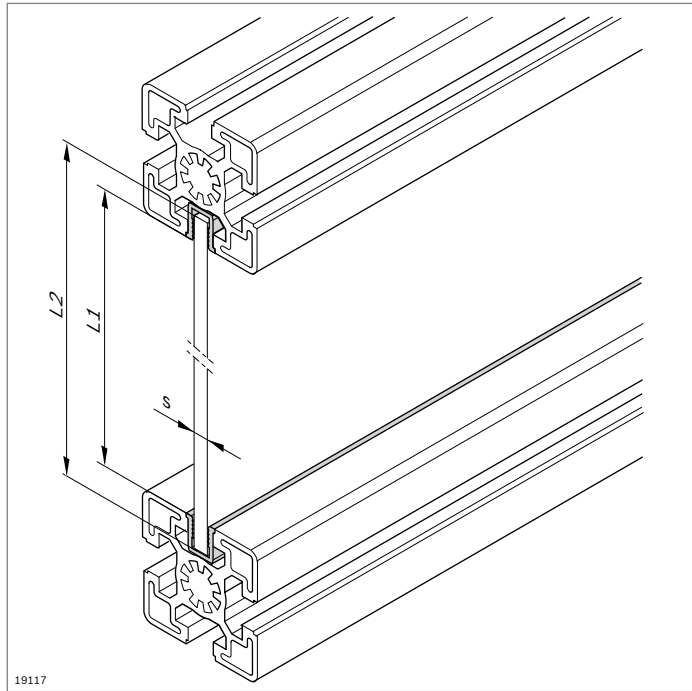
Potential equalizer (p. 7-11)



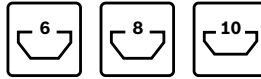
Protective grille profile (p. 7-12)



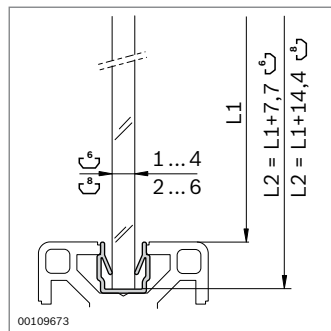
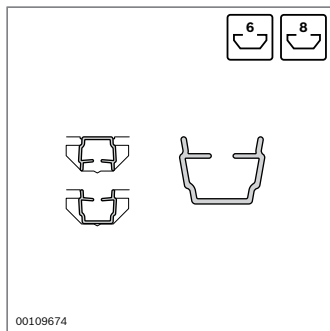
Clamp bushing (p. 7-13)



## Mounting rim profile

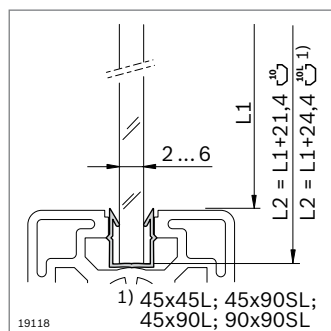
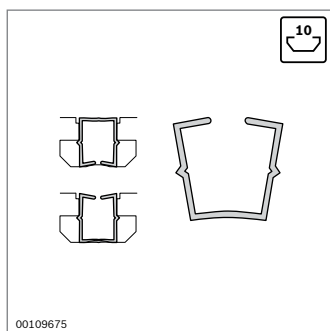


- ▶ For the play-free mounting of surface elements in the profile slot
- ▶ For surface elements up to 6 mm thick
- ▶ Installation during frame assembly
- ▶ Mounting rim profiles PP can also be used as cover profiles



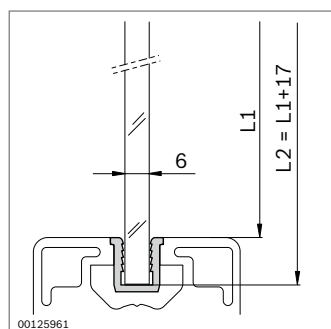
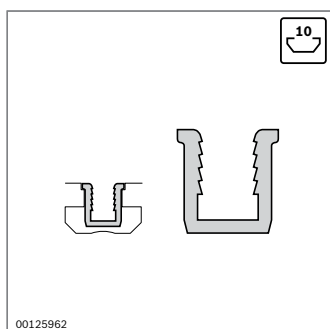
Mounting rim profile	Slot	s (mm)	L (mm)	No.
	6	1 ... 4	2000	<b>3 842 518 343</b>
	8	2 ... 6	2000	<b>3 842 518 347</b>

Material: PP; black



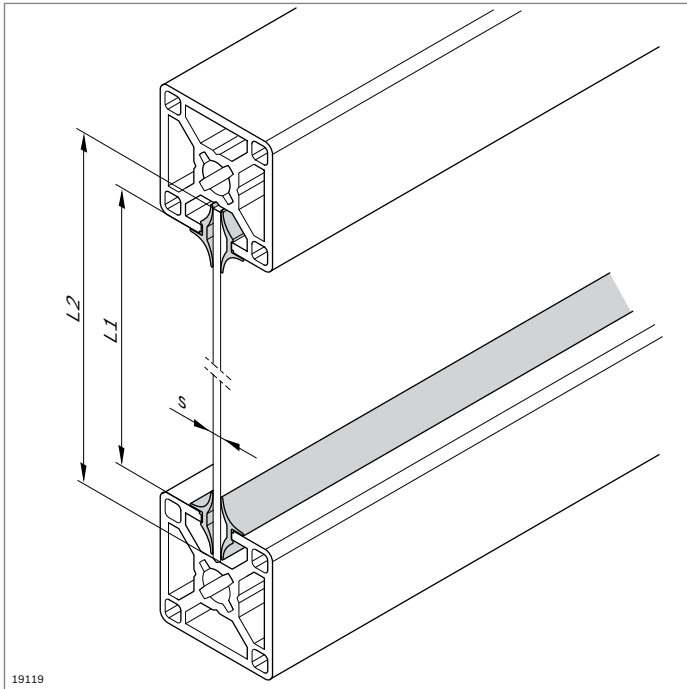
Mounting rim profile	Slot	s (mm)	L (mm)	No.
	10	2 ... 6	2000	<b>3 842 518 351</b>

Material: PP; black

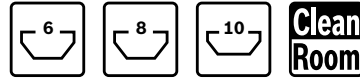


Mounting rim profile	Slot	s (mm)	L (mm)	No.
	10	6	2000	<b>3 842 146 906</b>

Material: PE; black

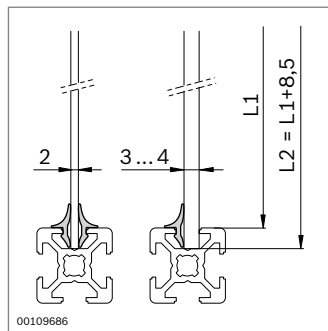
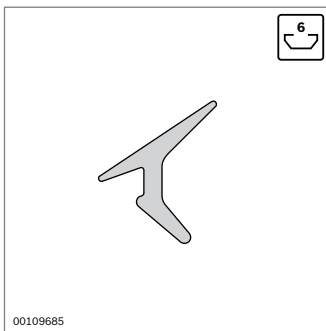


### Protective pane profile, cleanroom



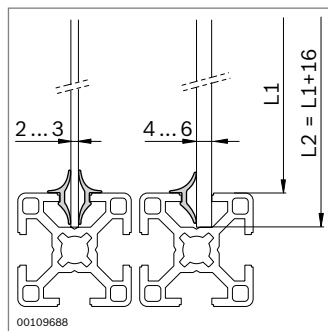
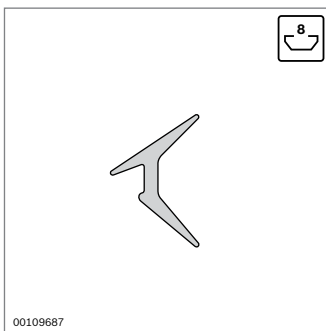
- ▶ For the play-free mounting of surface elements in the profile slot
- ▶ For surface elements with a thickness of 2 ... 8 mm
- ▶ One or both sides of the mounting rim profile used, depending on the thickness of the surface element
- ▶ Installation during profile frame assembly
- ▶ Suitable for use under cleanroom conditions
- ▶ Assessment of highly volatile organic emissions at room temperature, 50 °C and 120 °C, Report No. BO 9903-160

7



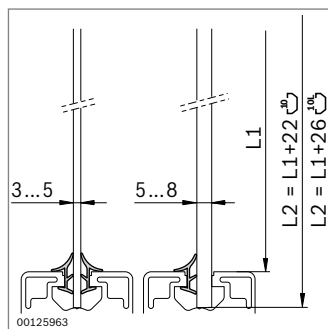
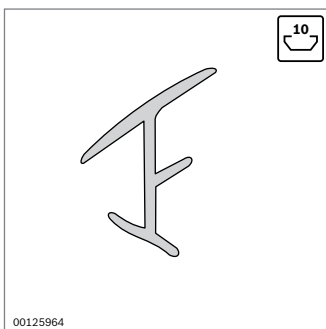
Protective pane profile, cleanroom	Slot	s (mm)	L (mm)	No.
	6	2 ... 4	10000	3 842 523 493

Material: TPE, light gray RAL 7035



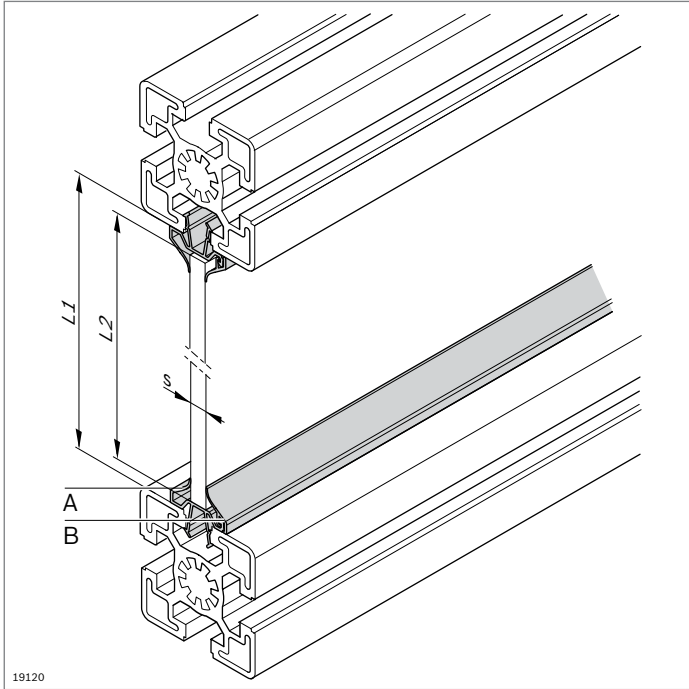
Protective pane profile, cleanroom	Slot	s (mm)	L (mm)	No.
	8	2 ... 6	10000	3 842 523 494

Material: TPE, light gray RAL 7035

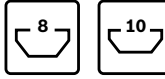


Protective pane profile, cleanroom	Slot	s (mm)	L (mm)	No.
	10	3 ... 8	10000	3 842 548 949

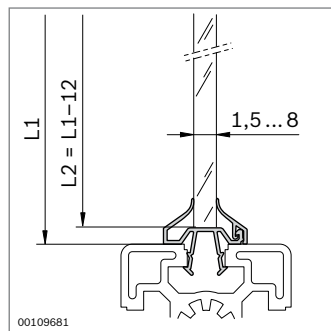
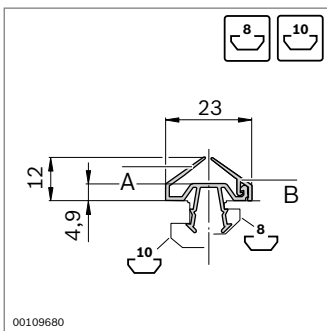
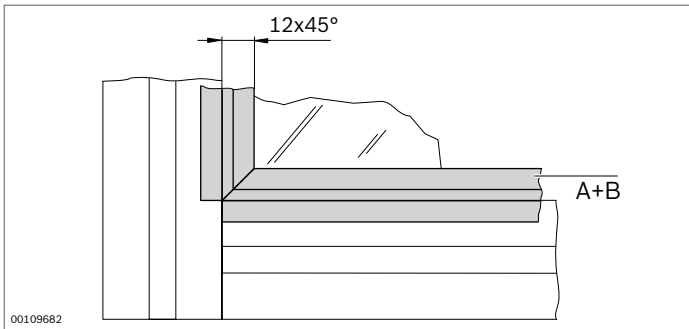
Material: TPE, light gray RAL 7035



### Protective pane profile, PVC

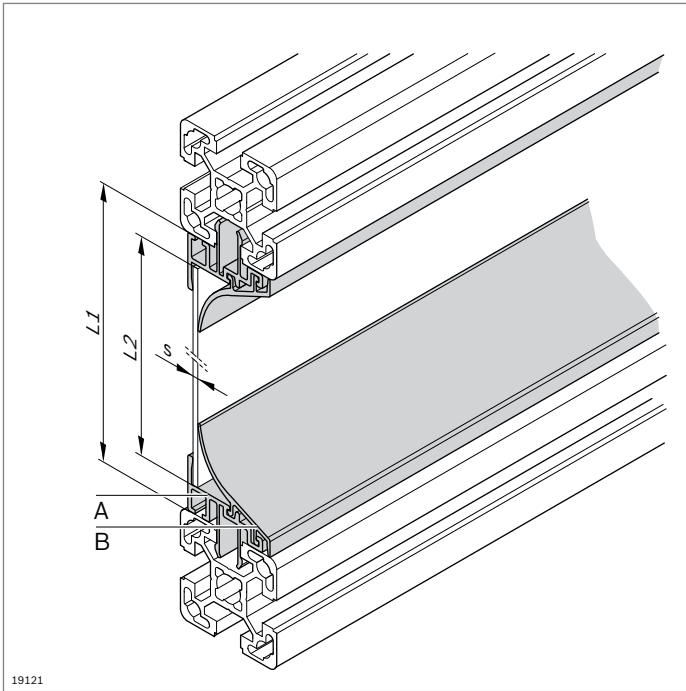


- ▶ For the play-free mounting of surface elements
- ▶ For surface elements with a thickness of 1.5 ... 8 mm
- ▶ For subsequent installation in closed frame constructions
- ▶ Installation of surface elements at center of slot
- ▶ The protective pane profile consists of the base profile (**A**) and the clip-on strip (**B**)
- ▶ With sealing lips for sealing the workspace from water spray

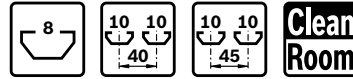


Protective pane profile, PVC	Slot	s (mm)	L (mm)		No.
<b>A</b> Base profile	8, 10	1.5 ... 8	2000	10	<b>3 842 519 565</b>
<b>B</b> Clip strip	8, 10	1.5 ... 8	2000	10	<b>3 842 519 567</b>

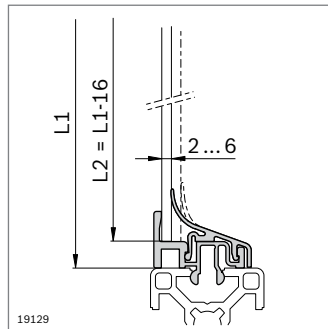
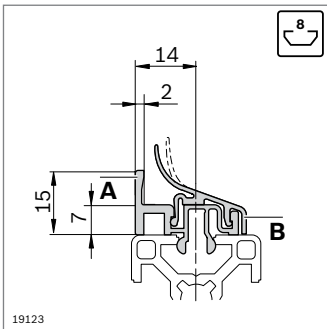
Material: PVC; black



### Protective pane profile Clean

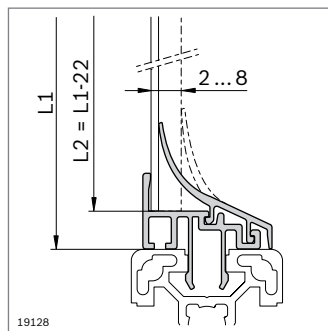
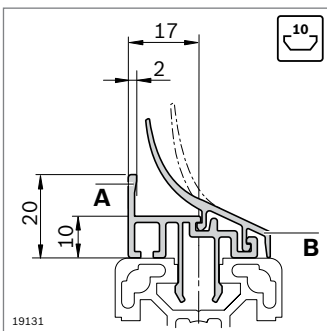


- ▶ For the play-free mounting of surface elements
- ▶ For surface elements with a thickness of 2 ... 8 mm
- ▶ For subsequent installation in closed frame constructions
- ▶ Installation of surface elements flush with the profile edge
- ▶ The protective pane profile consists of the basic profile (A) and the clip-on strip (B). Both profiles are required to ensure proper functioning.
- ▶ Suitable for use under cleanroom conditions
- ▶ Assessment of highly volatile organic emissions at room temperature, 50 °C and 120 °C, Report No. BO 9903-161



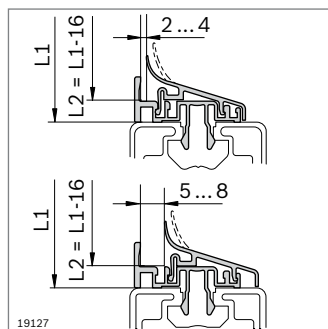
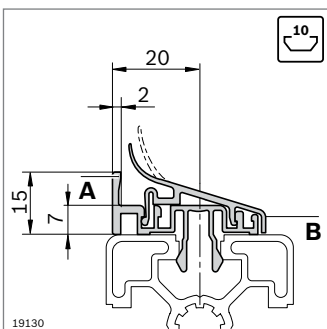
Protective pane profile	Slot	s (mm)	L (mm)	No.
A Base profile	8	2 ... 6	2000	10 <b>3 842 524 025</b>
B Clip strip	8	2 ... 6	2000	10 <b>3 842 524 026</b>

Material: Basic profile: aluminum, anodized  
Clip strip: PP/TPE; light gray RAL 7035



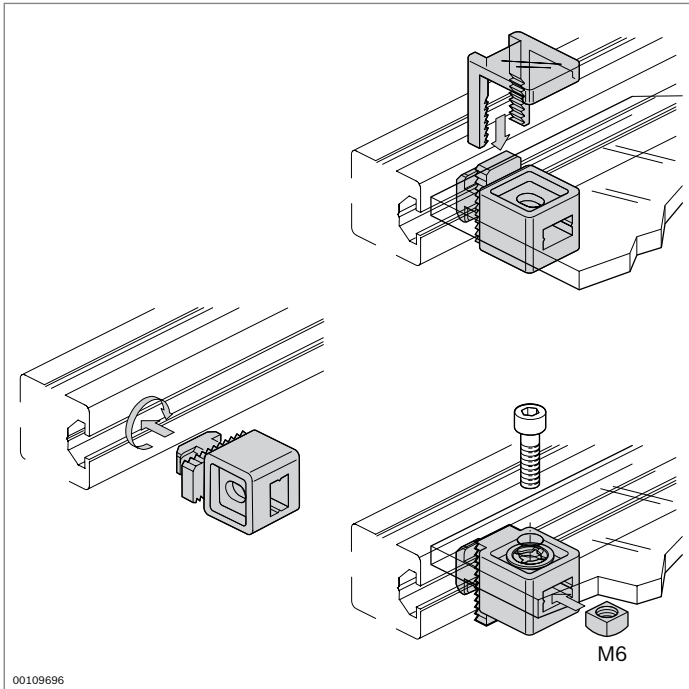
Protective pane profile	Slot	s (mm)	L (mm)	No.
A Base profile	10	2 ... 8	2000	10 <b>3 842 529 761</b>
B Clip strip	10	2 ... 8	2000	10 <b>3 842 529 762</b>

Material: Basic profile: aluminum, anodized  
Clip strip: PP/TPE; light gray RAL 7035

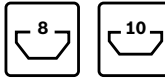


Protective pane profile	Slot	s (mm)	L (mm)	No.
A Base profile	10	2 ... 8	2000	10 <b>3 842 524 027</b>
B Clip strip	10	2 ... 8	2000	10 <b>3 842 524 028</b>

Material: Basic profile: aluminum, anodized  
Clip strip: PP/TPE; light gray RAL 7035



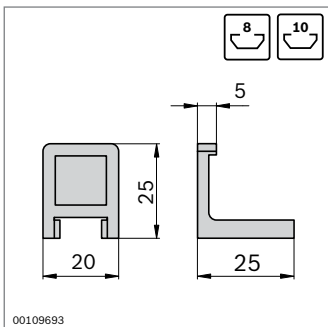
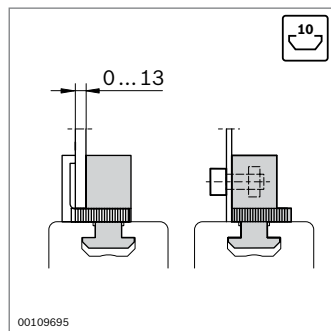
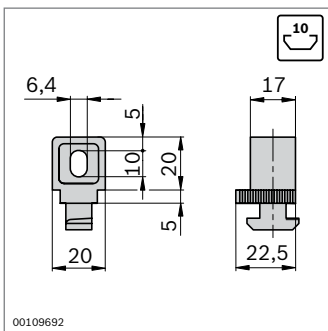
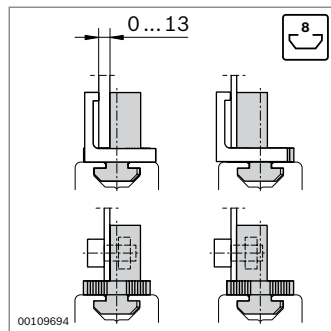
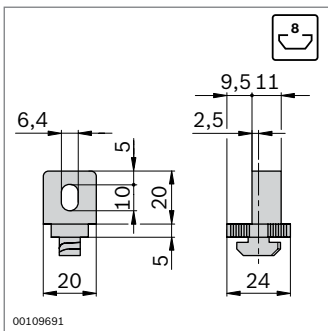
### Variofix block



- ▶ For surface elements up to 13 mm thick
- ▶ For subsequent installation in closed frame constructions
- ▶ Asymmetrical form enables surface elements to be fastened in two different positions
- ▶ Clamping with snap-in clip or screw fitting with square nut M6 (included in scope of delivery) and screw
- ▶ Retainer ring for connecting the screw to the surface element (Machinery Directive 2006/42/EC)

Accessories:

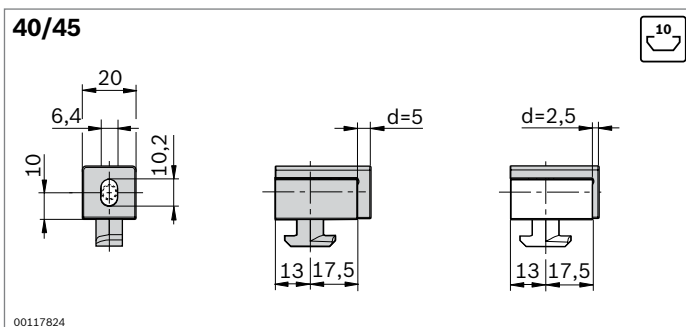
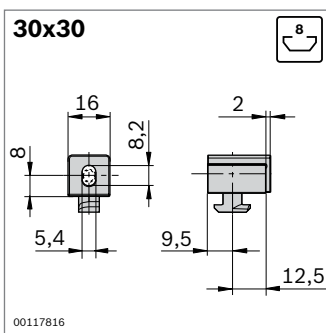
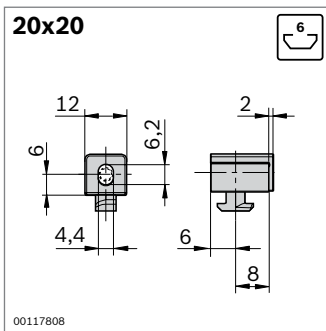
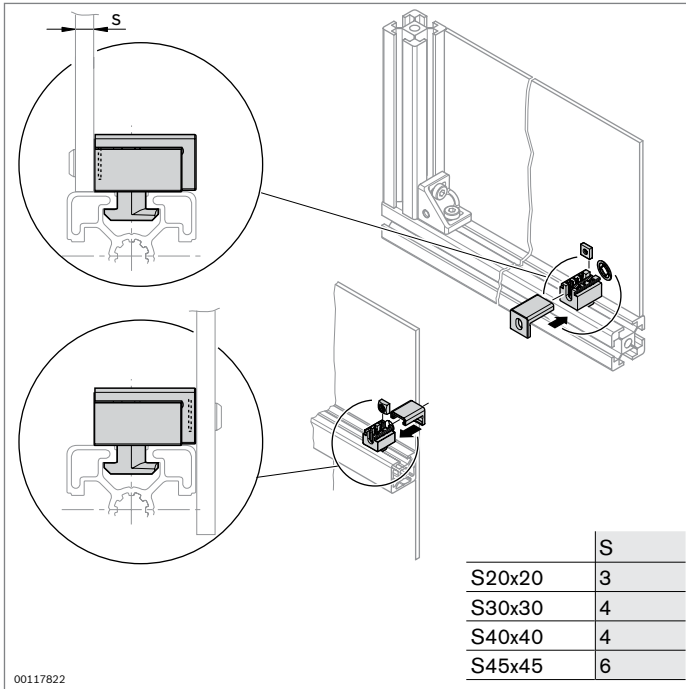
- ▶ Variofix remover (p. 14-7)
- ▶ Screw for fitting with square nut



Variofix block	Color	Slot		No.
	Signal gray	8	10	<b>3 842 548 832</b>
Material:	PP			
	Square nut: steel; galvanized			
Scope of delivery:	incl. square nut			

Variofix block	Color	Slot		No.
	Signal gray	10	10	<b>3 842 548 834</b>
Material:	PP			
	Square nut: steel; galvanized			
Scope of delivery:	incl. square nut M6, retainer ring M6			

Snap-in clip		No.
	10	<b>3 842 184 738</b>
Material:	PA; colorless	



## Variofix block S



- ▶ For virtually gap-free surface element mounting
- ▶ For subsequent installation in closed frame constructions
- ▶ The asymmetrical design and cover cap enable the surface elements to be mounted in different positions: flush with the profile edge or in front of the profile
- ▶ Retainer ring for connecting the screw to the surface element (Machinery Directive 2006/42/EC)

Required accessories:

Screw for fastening the surface element

Variofix block S	Color	Slot	No.
20x20	Signal gray	6	10 3 842 548 836

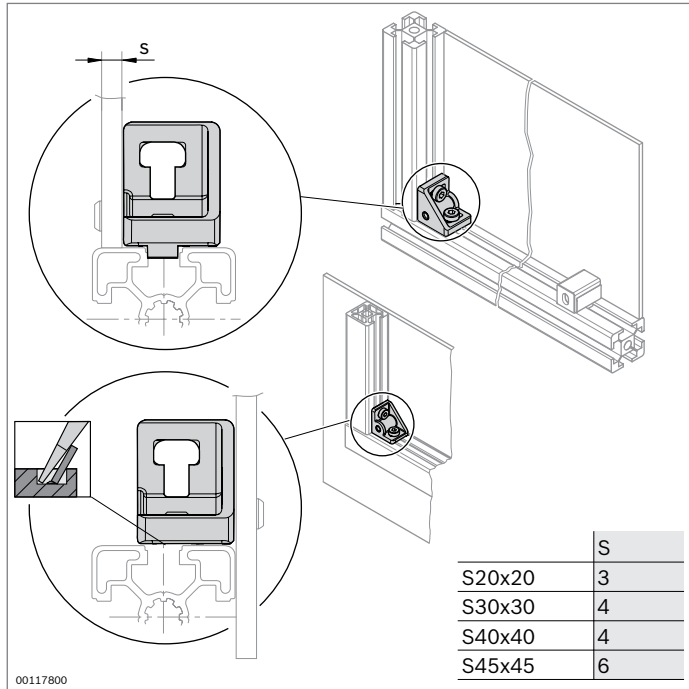
Material: PP  
Square nut: steel; galvanized  
Scope of delivery: incl. square nut M4, cap

Variofix block S	Color	Slot	No.
30x30	Signal gray	8	10 3 842 548 838

Material: PP  
Square nut: steel; galvanized  
Scope of delivery: incl. square nut M5, cap, retainer ring

Variofix block S	Color	Slot	No.
40/45	Signal gray	10	10 3 842 548 840

Material: PP  
Square nut: steel; galvanized  
Scope of delivery: incl. square nut M5, 2 x cap (d = 2.5 mm; d = 5 mm), retainer ring



## Bracket S



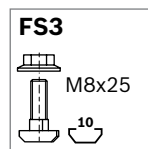
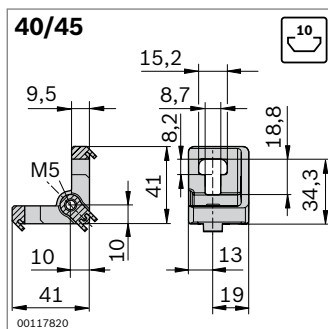
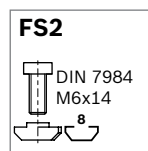
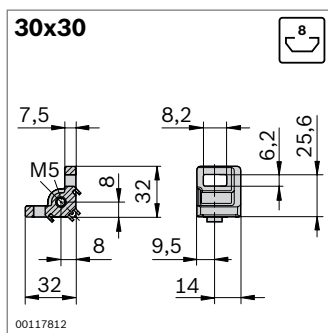
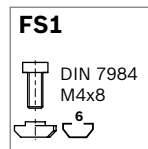
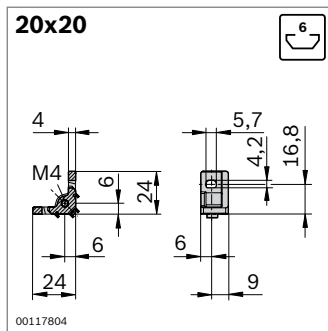
- ▶ Bracket with thread for virtually gap-free mounting of surface elements
- ▶ For subsequent installation in closed frame constructions
- ▶ The surface element can be mounted in different positions: flush with the profile edge or in front of the profile (by breaking off the centering lug)

Required accessories:

Screw for fastening the surface element

Optional accessories:

- ▶ Variofix S block (p. 7-7)
- ▶ Retainer ring (p. 7-9)



Bracket S	Slot	No.	FS
<b>20x20</b>	6	20	<b>3 842 536 489</b>
<b>20x20 set</b>	6	1	<b>3 842 536 670</b> 2xFS1

Material: Die-cast aluminum

Fastening material: steel; galvanized

Scope of delivery: set incl. fastening material (FS)

Bracket S	Slot	No.	FS
<b>30x30</b>	8	20	<b>3 842 536 490</b>
<b>30x30 set</b>	8	1	<b>3 842 536 671</b> 2xFS2

Material: Die-cast aluminum

Fastening material: steel; galvanized

Scope of delivery: set incl. fastening material (FS)

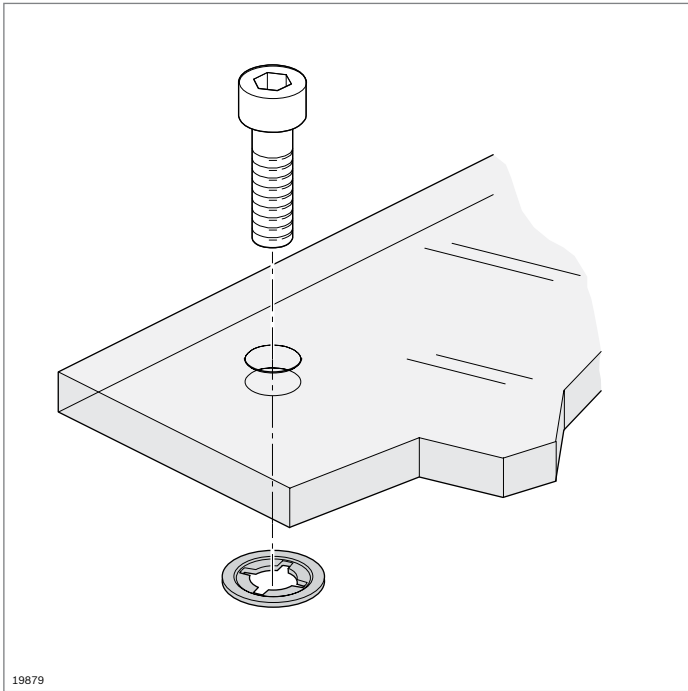
Bracket S	Slot	No.	FS
<b>40/45</b>	10	20	<b>3 842 536 491</b>
<b>40/45 set</b>	10	1	<b>3 842 536 672</b> 2xFS3

Material: Die-cast aluminum

Fastening material: steel; galvanized

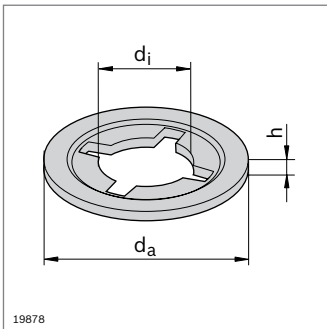
Scope of delivery: set incl. fastening material (FS)





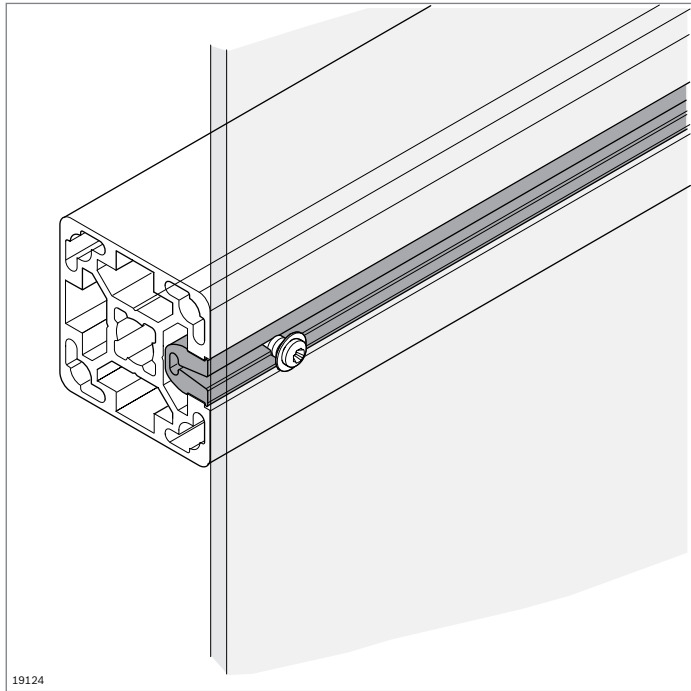
## Retainer ring

- ▶ Secures the fastening screw to the surface element
- ▶ For use with all Variofix blocks, but not for the S bracket
- ▶ Retrofitting possible
- ▶ For various thread sizes

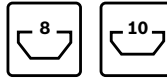


Retainer ring	$d_a$ (mm)	$d_i$ (mm)	h (mm)		No.
<b>M4</b>	9.0	3.4	1.0	100	<b>3 842 542 328</b>
<b>M5</b>	10.0	4.5	1.0	100	<b>3 842 542 329</b>
<b>M6</b>	12.5	5.5	1.5	100	<b>3 842 542 330</b>

Material: PA; black



### Cover strip profile

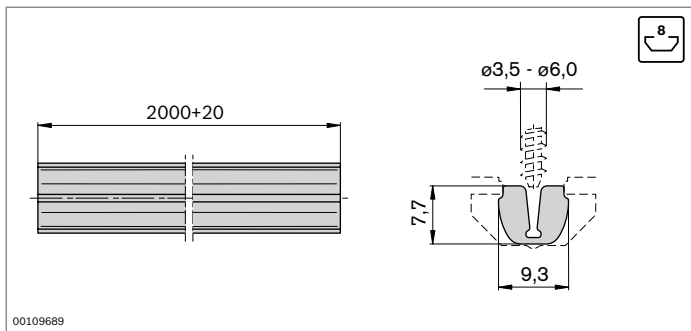


- ▶ Cover strip profile for fastening surface elements using standard sheet metal screws
- ▶ Clipping the cover strip profile into the profile slot
- ▶ Low-cost connecting element

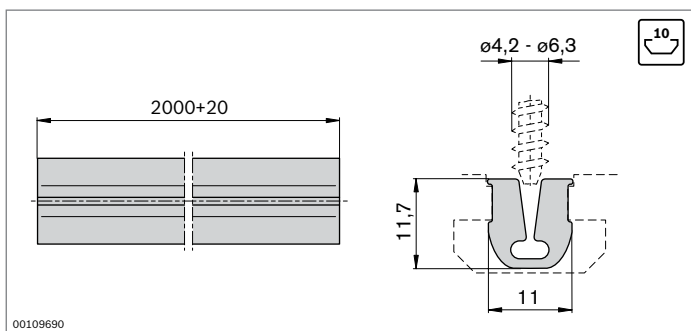
Required accessories:

Sheet metal screws for fastening surface elements

19124



00109689



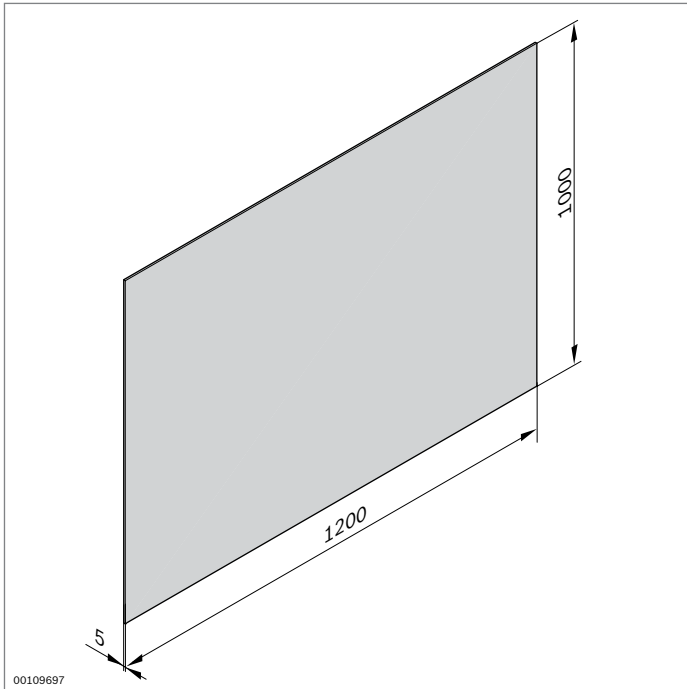
00109690

Cover strip profile	Slot	L (mm)	No.
	8	2000	<b>3 842 524 069</b>

Material: PVC, light gray RAL 7035

Cover strip profile	Slot	L (mm)	No.
	10	2000	<b>3 842 524 072</b>

Material: PVC, light gray RAL 7035



## Universal plate



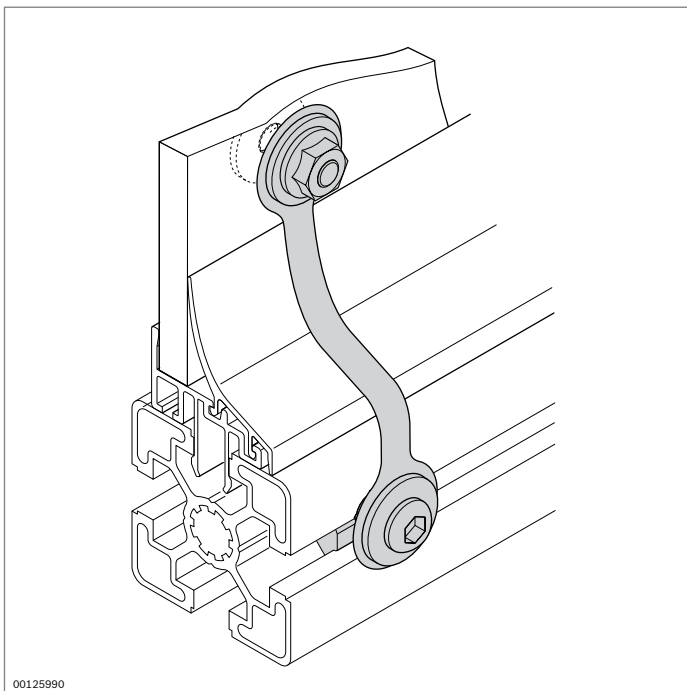
- For the construction of trays, material shuttles, or privacy shields on tables or frames

Accessories:

Frame profile, support of surface elements

Universal plate	ESD	No.
PP		3 842 516 837
PS		3 842 516 838

Material: PP: gray, smooth on one side, grained on the other  
PS: black, smooth on both sides



## Potential equalizer

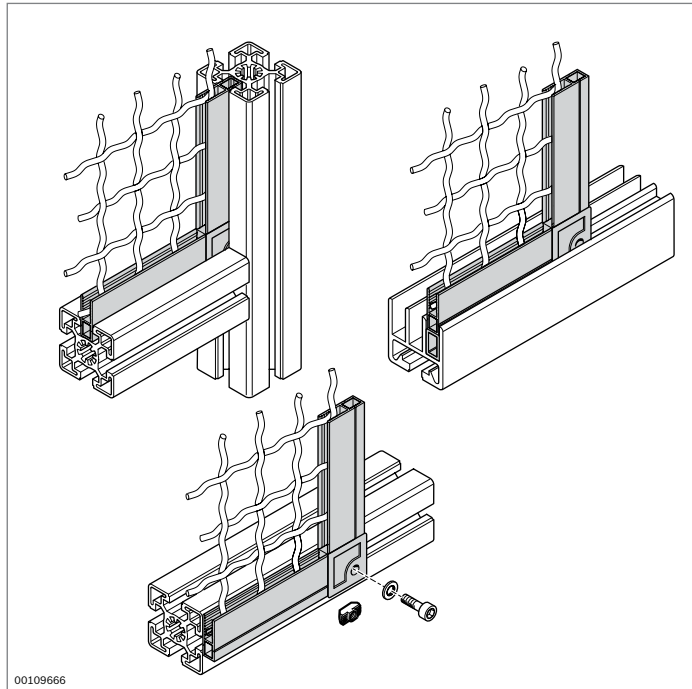


- To establish a defined electrostatic conduction between surface elements and strut profiles

Potential equalizer	ESD		No.
		10	3 842 536 148

Material: strip steel, non-rusting fastening material: steel; galvanized

Scope of delivery: Incl. fastening material



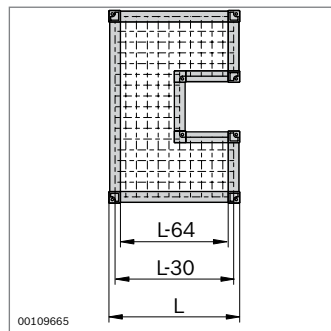
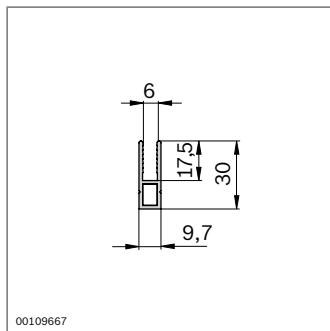
## Protective grille profile



- ▶ For constructing frames for woven wire grilles or surface elements
- ▶ For woven wire grilles with a wire diameter up to 3.1 mm
- ▶ For surface elements up to 6 mm thick
- ▶ Screw fitting of frame to the outside of strut profiles (subsequent installation)
- ▶ Insertion of frame into the slot of a strut profile or a sliding door profile Al 45
- ▶ Corner pieces for inner and outer corners

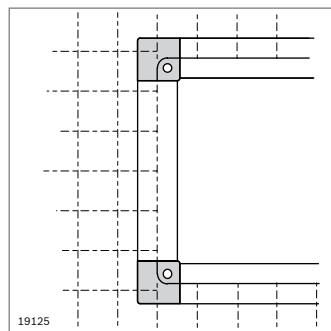
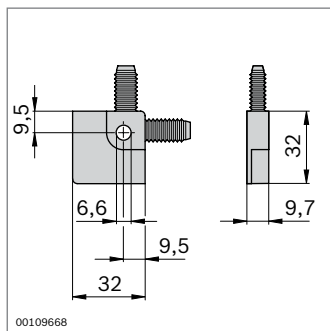
Optional accessories:

- ▶ T-nut M6 (p. 3-4)
- ▶ Screw M6



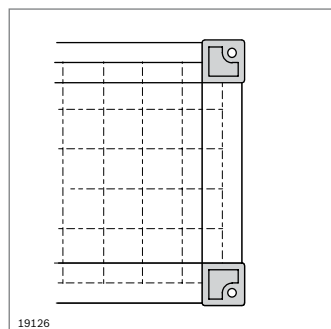
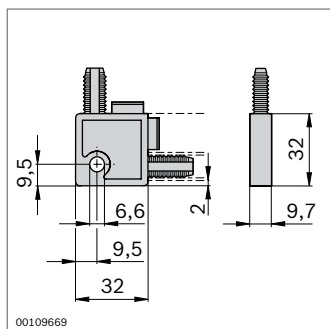
Protective grille profile	L (mm)	No.
	3000 <sup>1)</sup>	20 <b>3 842 305 766</b>

<sup>1)</sup> Due to the (anodic oxidation) contact points produced in the manufacturing process, supplied in profile length of 3100 mm  
Material: aluminum, black anodized



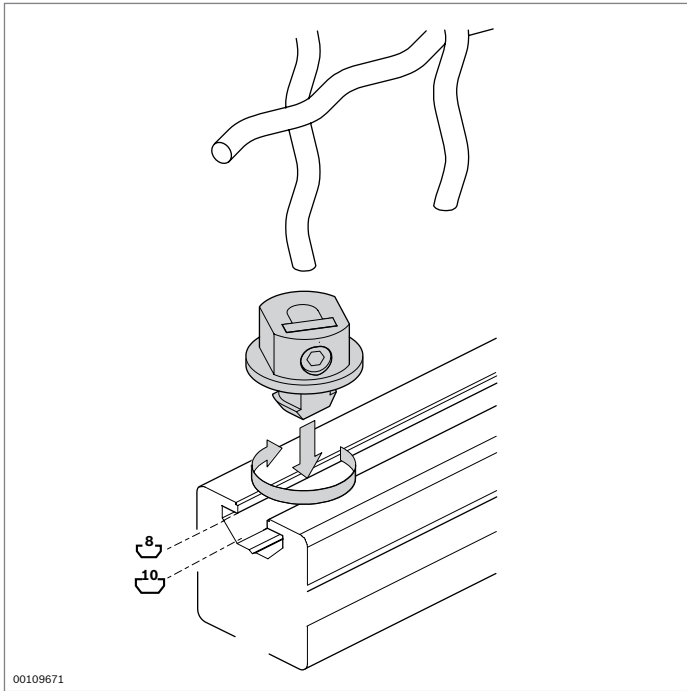
Inner corner piece	No.
	20 <b>3 842 305 768</b>

Material: PA; black

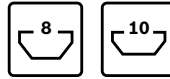


Outer corner piece	No.
	20 <b>3 842 305 767</b>

Material: PA; black

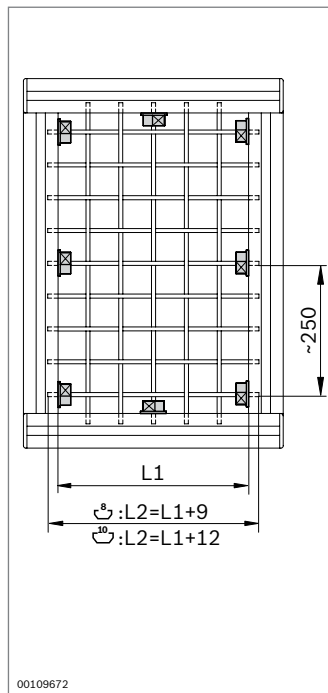
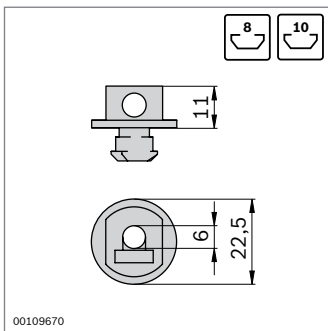


### Clamp bushing



- ▶ For fastening woven wire grilles in the profile slot
- ▶ For woven wire grilles with a wire diameter up to 3.1 mm
- ▶ Suitable for 8 mm and 10 mm slots
- ▶ Low-cost connecting element
- ▶ Rattle-free mounting

7



Clamp bushing	Slot	No.	FS
	8, 10	100	3 842 515 244 FS1

Material: diecast zinc  
Fastening material: steel; galvanized

**FS1**

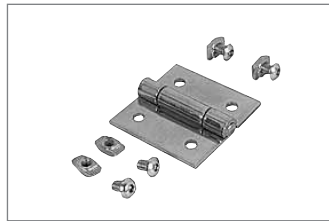
- EN ISO 4027  
M6x10
- DIN 562  
M6-04



# Doors and fittings



Hinge profile (p. 8-3)



Hinge (p. 8-4)



Hinge, plastic (p. 8-5)



Hinge, aluminum (p. 8-6)



LIFTOFF hinge (p. 8-7)



Hinge, removable (p. 8-8)



Hinge, adjustable (p. 8-9)



Folding door element  
(p. 8-10)



Door lock for swinging and  
sliding doors  
(p. 8-11, 8-15)



Door lock (p. 8-12)



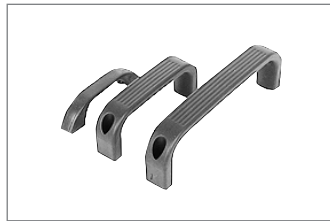
Door lock for EcoSafe  
sliding doors (p. 8-13)



Door lock for swing doors  
(p. 8-14, 8-17)



Mortise lock for swing doors (p. 8-21)



Bow-type handle (p. 8-23)



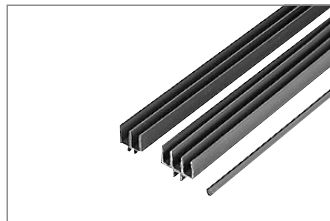
Safety handle (p. 8-24)



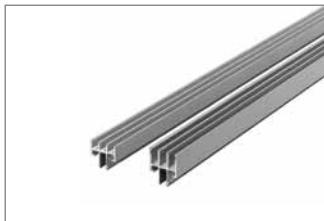
Sealing strip (p. 8-25)  
Sealing profile (p. 8-26)



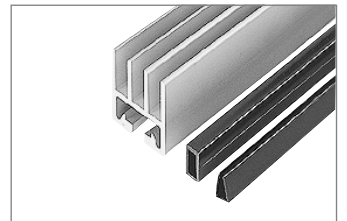
Slider (p. 8-27)



Sliding door profile PVC (p. 8-28)



Sliding door profile Al Clip (p. 8-29)

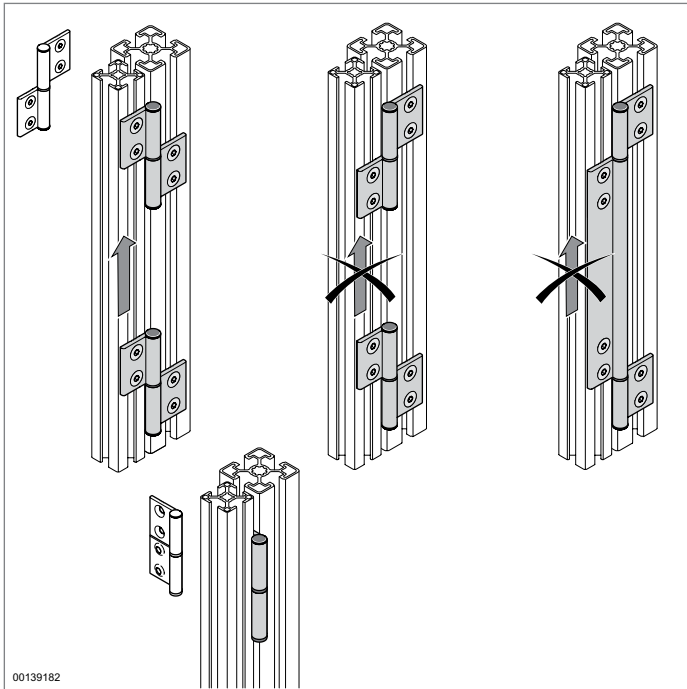


Sliding door profile Al 45 (p. 8-30)



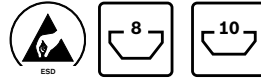
Edge protector, door handle profile (p. 8-32)



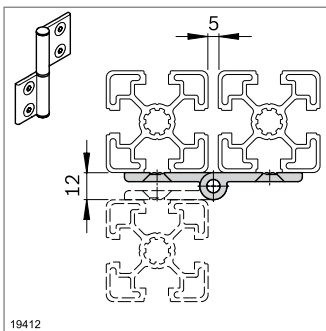


00139182

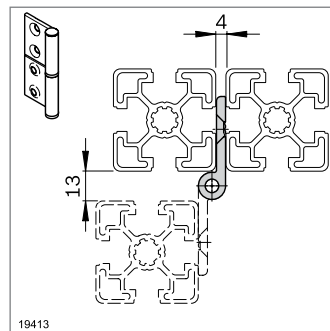
## Hinge profile



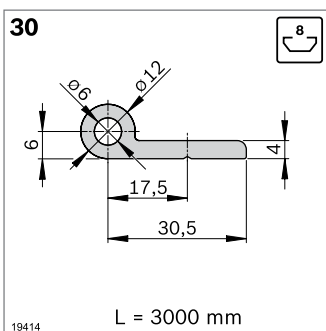
- ▶ For self-assembly of hinges or hinge bands
- ▶ Can be used as a hinge band for non-transparent covering of the door crack
- ▶ Hinge profiles for slot dimensions 30 and 40/45/50 can also be combined for maximum flexibility
- ▶ For doors with profile frames or doors made of solid surface elements
- ▶ Fitted on outside or inside
- ▶ Assembly as removable and non-removable hinges
- ▶ Opening to the right and left
- ▶ Centering slots as a drill guide for mounting bores
- ▶ Required finishing:
  - cut the hinge halves to length
  - drill for fixing



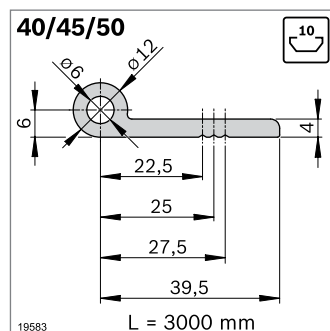
19412



19413



19414



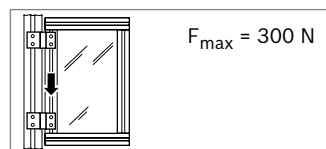
19583

### Required accessories:

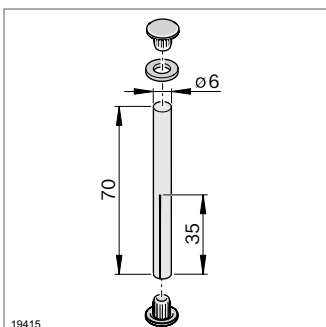
- ▶ hinge pins
- ▶ T-nut M6 (p. 3-4)
- ▶ screw ISO 10642 M6x12 (8 mm slot)
- ▶ screw ISO 10642 M6x16 (10 mm slot)

Hinge profile	L (mm)	10	No.
30	3000	10	3 842 543 371
40/45/50	3000	10	3 842 543 372

Material: aluminum, anodized



$F_{max} = 300 \text{ N}$

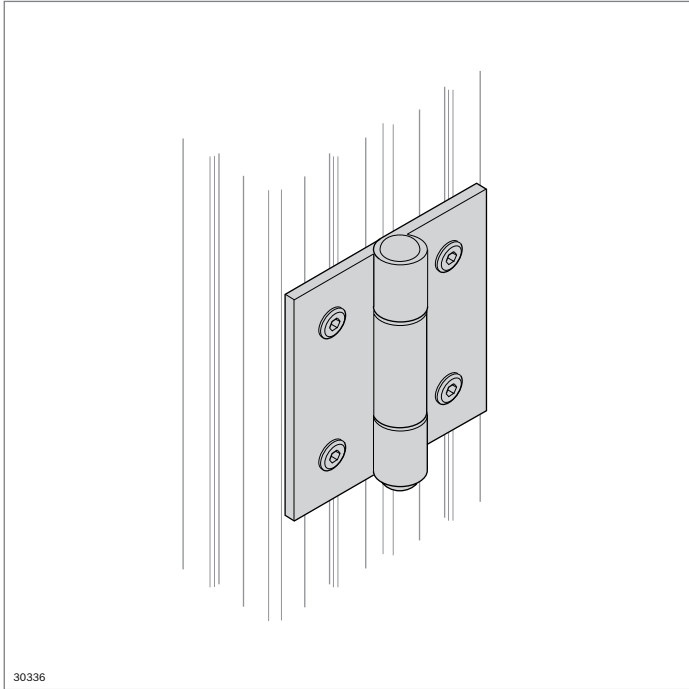


19415

hinge pins	10	No.
	10	3 842 544 661

Material: Grooved pin: steel; galvanized  
Washer, cap: PA

Scope of delivery: incl. grooved pin, 2 x cap, washer

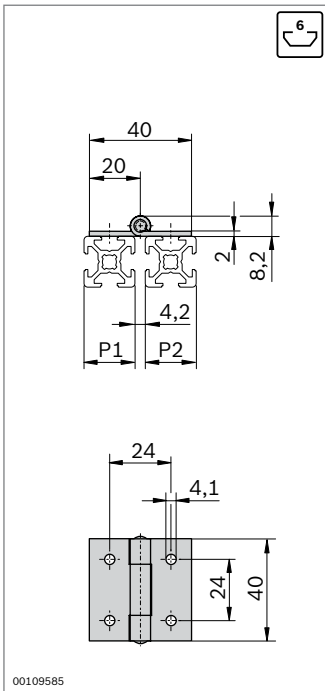


30336

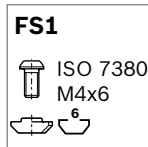
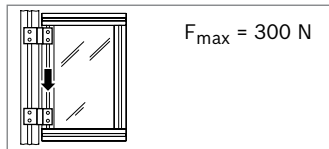
## Hinge

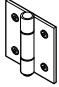



- ▶ Assembly possible on solid surface elements
- ▶ For small doors and flaps
- ▶ Steel hinge for profiles with 6 mm slot

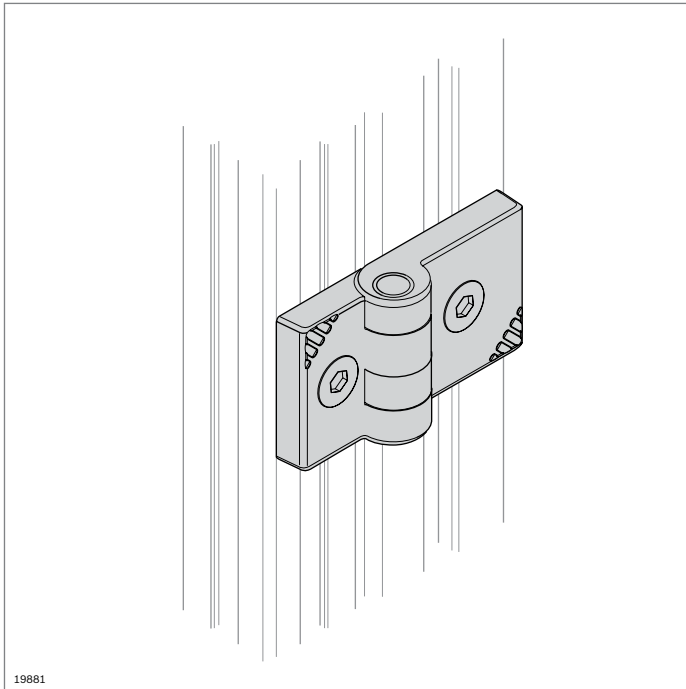


00109585

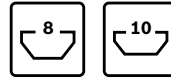


Hinge	P1 (mm)	P2 (mm)	ESD	No.	FS
	20	20		2	3 842 535 684 4xFS1

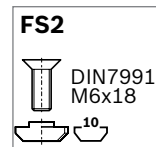
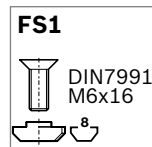
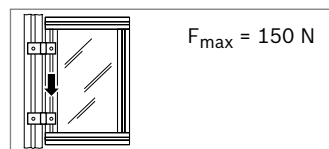
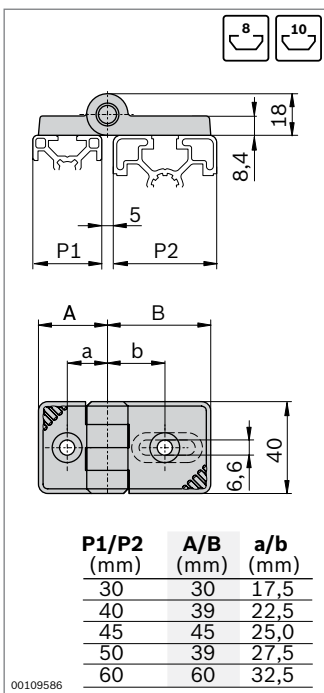
Material: steel, stainless  
 Fastening material: steel; galvanized  
 Scope of delivery: incl. fastening material (FS)

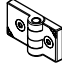


## Hinge, plastic



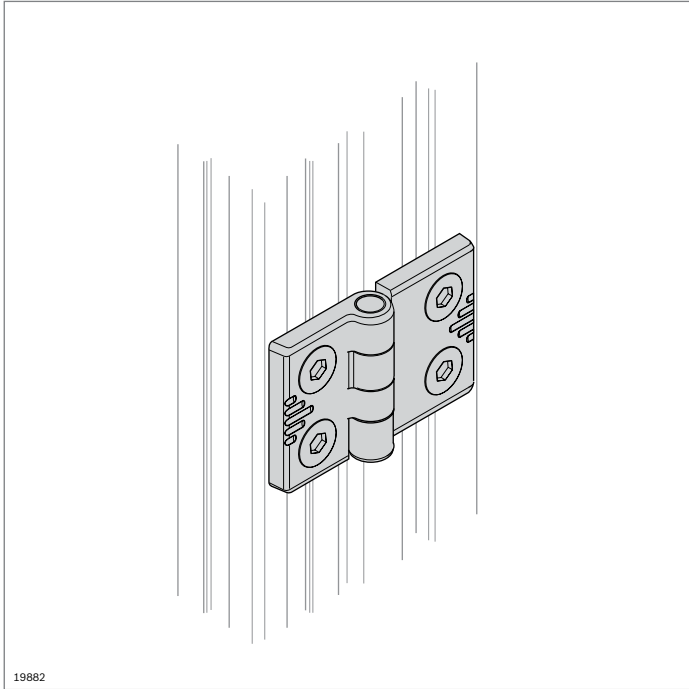
- ▶ Plastic hinge for profiles with 8 mm or 10 mm slot
- ▶ Assembly possible on solid surface elements
- ▶ Centering bolts for easy assembly and as a anti-torsion element



Hinge, plastic	P1 (mm)	P2 (mm)	No.	FS
	30	30	2	<b>3 842 554 458</b> 2xFS1
	30	40/50	2	<b>3 842 554 460</b> 1xFS1, 1xFS2
	30	45	2	<b>3 842 554 462</b> 1xFS1, 1xFS2
	30	60	2	<b>3 842 554 464</b> 1xFS1, 1xFS2
	40/50	40/50	2	<b>3 842 554 466</b> 2xFS2
	45	45	2	<b>3 842 554 468</b> 2xFS2
	45	60	2	<b>3 842 554 470</b> 2xFS2
	60	60	2	<b>3 842 554 472</b> 2xFS2

Material: PA; signal gray  
Hinge axle: steel; galvanized  
Fastening material: steel; galvanized

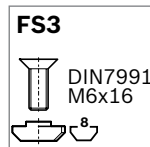
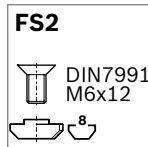
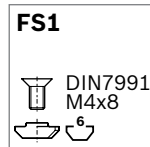
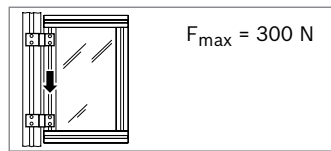
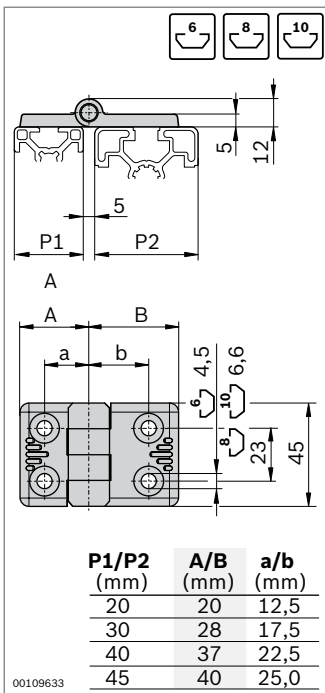
Scope of delivery: incl. fastening material (FS)



### Hinge, aluminum



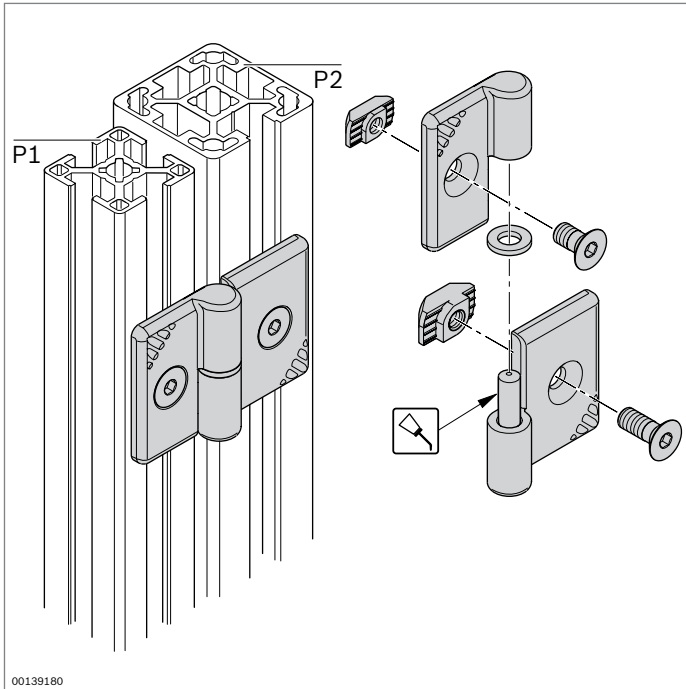
- ▶ Aluminum hinge for all slot systems
- ▶ Assembly possible on solid surface elements
- ▶ High-quality version
- ▶ Conductive version
- ▶ Suitable for use under clean room conditions thanks to abrasion-resistant guide bushings



Hinge, aluminum	P1 (mm)	P2 (mm)	ESD	No.	FS
	20	20		2 <b>3 842 544 525</b>	4xFS1
	20	30		2 <b>3 842 544 526</b>	2xFS1, 2xFS2
	30	30		2 <b>3 842 544 527</b>	4xFS2
	30	40		2 <b>3 842 544 528</b>	2xFS2, 2xFS3
	30	45		2 <b>3 842 544 529</b>	2xFS2, 2xFS3
	40	40		2 <b>3 842 544 530</b>	4xFS3
	45	45		2 <b>3 842 544 531</b>	4xFS3

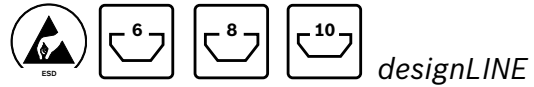
Material: diecast aluminum; nickel-plated  
Fastening material: steel; galvanized  
Scope of delivery: incl. fastening material (FS)



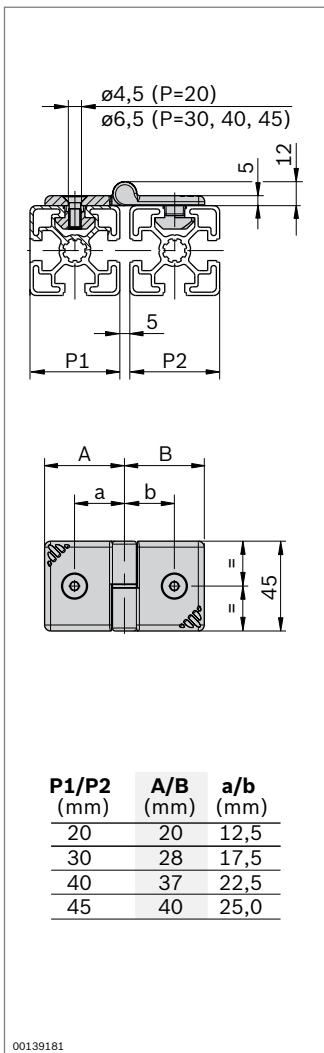


00139180

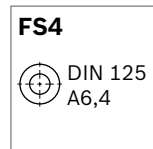
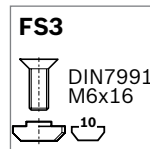
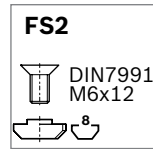
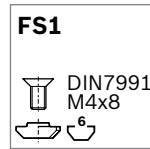
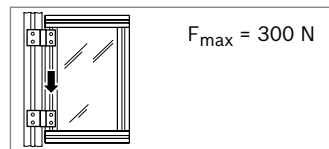
### LIFTOFF hinge



- ▶ Compact, removable hinge for doors which open to the right or left
- ▶ designLINE version with special silver paint (RAL 9006) for an attractive, high-quality design
- ▶ Centering lugs as an assembly aid and anti-torsion element



00139181

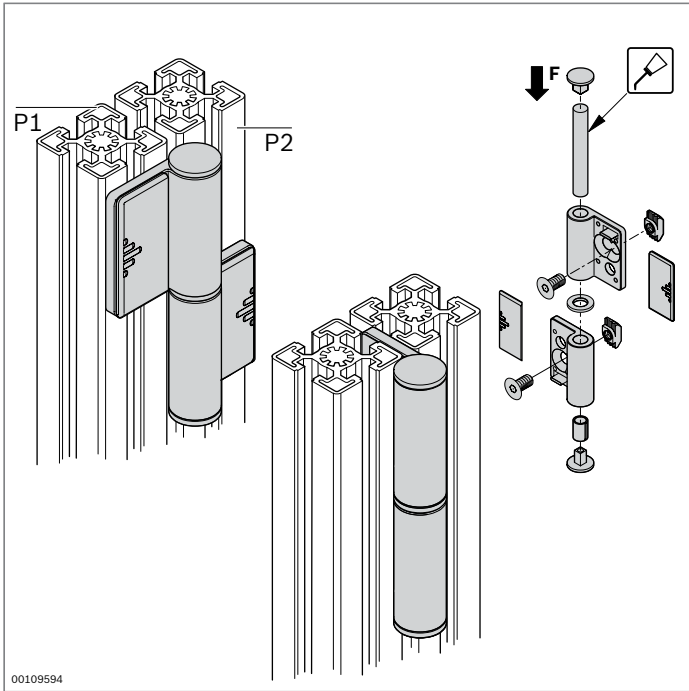


P1/P2 (mm)	A/B (mm)	a/b (mm)
20	20	12,5
30	28	17,5
40	37	22,5
45	40	25,0

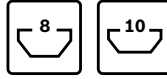
LIFTOFF hinge	P1 (mm)	P2 (mm)	No.	FS
right	20	20	2	<b>3 842 543 334</b> 2xFS1, FS4
	20	30	2	<b>3 842 543 333</b> FS1, FS2, FS4
	30	30	2	<b>3 842 543 332</b> 2xFS2, FS4
	30	40	2	<b>3 842 543 331</b> FS2, FS3, FS4
	30	45	2	<b>3 842 543 330</b> FS2, FS3, FS4
	40	40	2	<b>3 842 543 329</b> 2xFS3, FS4
	45	45	2	<b>3 842 543 328</b> 2xFS3, FS4
left	20	20	2	<b>3 842 543 327</b> 2xFS1, FS4
	20	30	2	<b>3 842 543 326</b> FS1, FS2, FS4
	30	30	2	<b>3 842 543 325</b> 2xFS2, FS4
	30	40	2	<b>3 842 543 324</b> FS2, FS3, FS4
	30	45	2	<b>3 842 543 323</b> FS2, FS3, FS4
	40	40	2	<b>3 842 543 322</b> 2xFS3, FS4
	45	45	2	<b>3 842 543 321</b> 2xFS3, FS4

Material: Hinge: diecast aluminum, painted  
 Fastening material: steel; galvanized  
 Grooved pin: steel; galvanized  
 Washer: PA

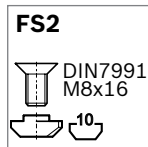
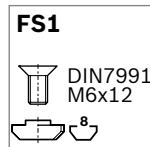
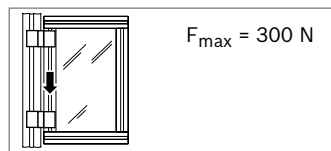
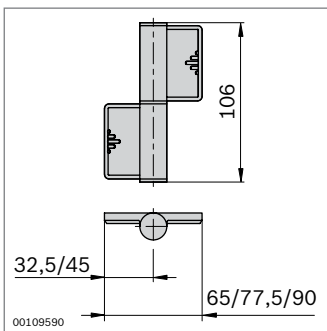
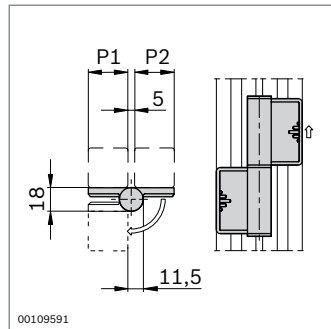
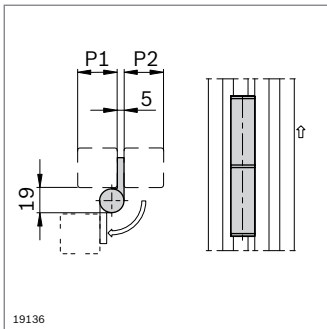
Scope of delivery: incl. fastening material (FS)




### Hinge, removable



- ▶ For constructing large, heavy doors
- ▶ Removable
- ▶ For left and right stop
- ▶ Externally mounted: opening angle approx. 180°
- ▶ Internally mounted: Prevents unauthorized removal, e.g. for safety devices

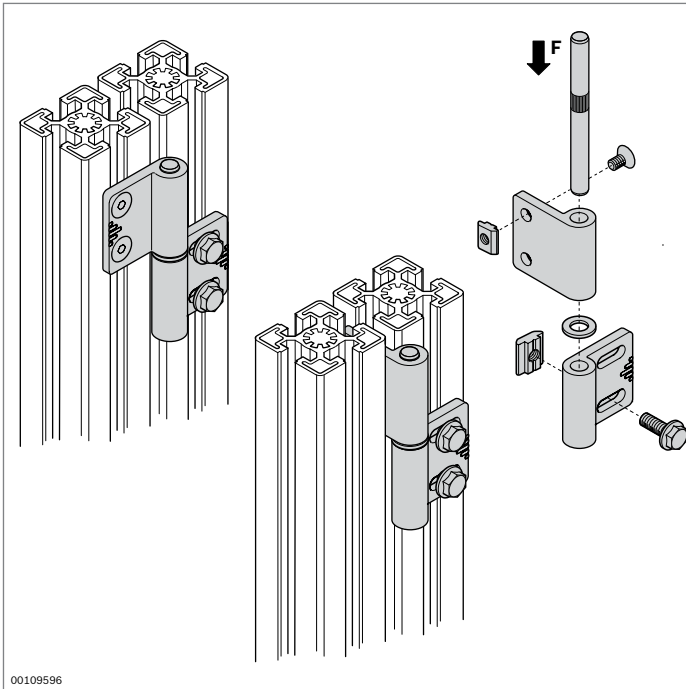


Hinge, removable	P1 (mm)	P2 (mm)	No.	FS
	30	30	2	<b>3 842 544 552</b> 2xFS1
	30	45	2	<b>3 842 544 553</b> 1xFS1,
	30 <sup>1)</sup>	60		1xFS2
	45	45	2	<b>3 842 544 554</b> 2xFS2
	45 <sup>1)</sup>	60		
	60 <sup>1)</sup>	60		

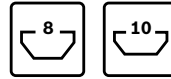
<sup>1)</sup> Not suitable for installing on inner side

Material: Hinge: diecast zinc  
Cover cap: PA; black  
Fastening material: steel; galvanized

Scope of delivery: incl. fastening material (FS), 2 x cap



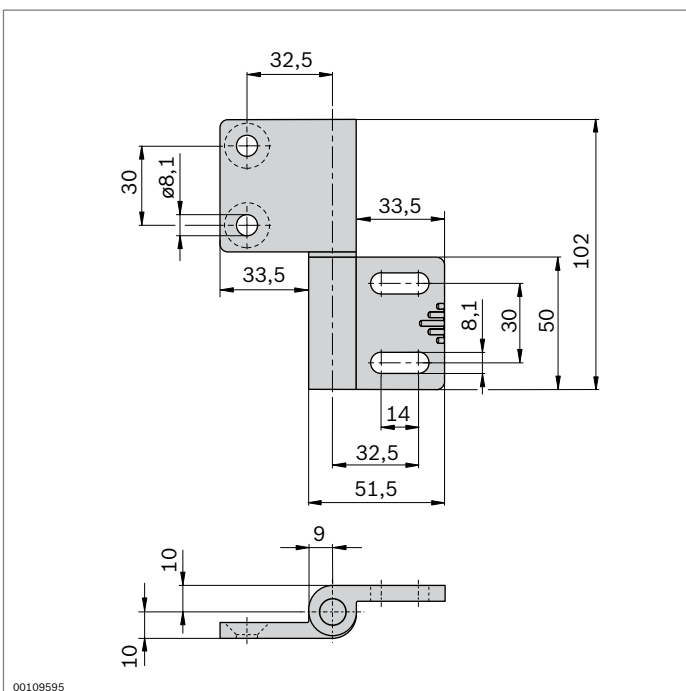
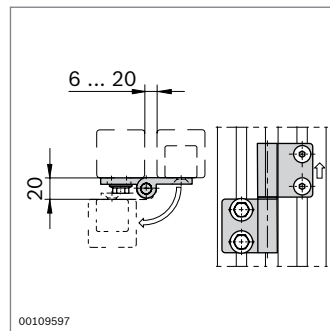
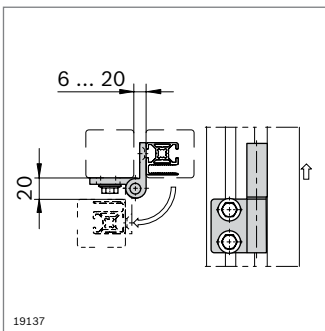
### Hinge, adjustable

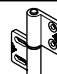


- ▶ For constructing large, heavy doors
- ▶ Adjustable for compensating clearance tolerances
- ▶ Removable
- ▶ For left and right stop
- ▶ opening angle approx. 180°

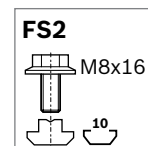
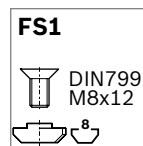
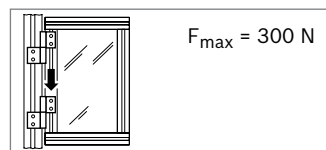
Accessories:

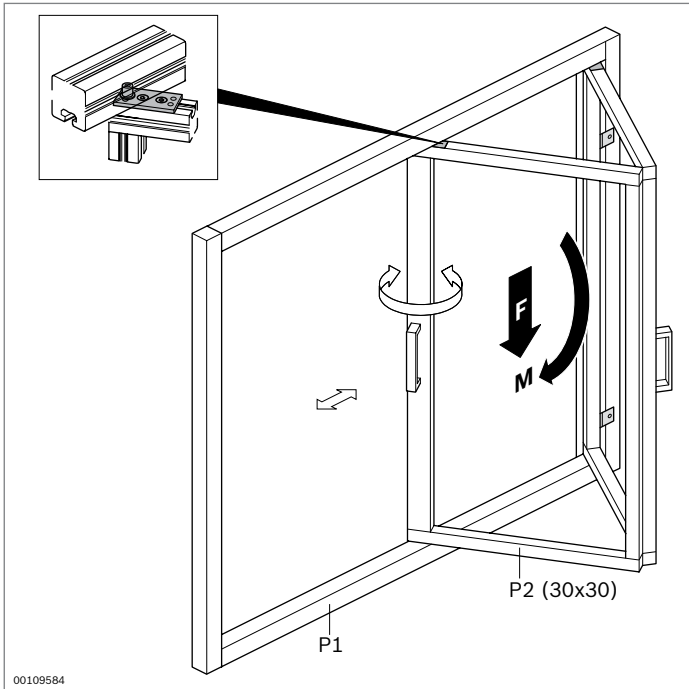
T-nut slot 10, M8 (p. 3-4) for fixing a door with 10 mm slot



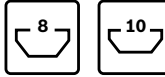
Hinge, adjustable	No.	FS
	2 <b>3 842 544 562</b>	2xFS1, 2xFS2

Material: diecast aluminum  
 Fastening material: steel; galvanized  
 Scope of delivery: incl. fastening material (FS)

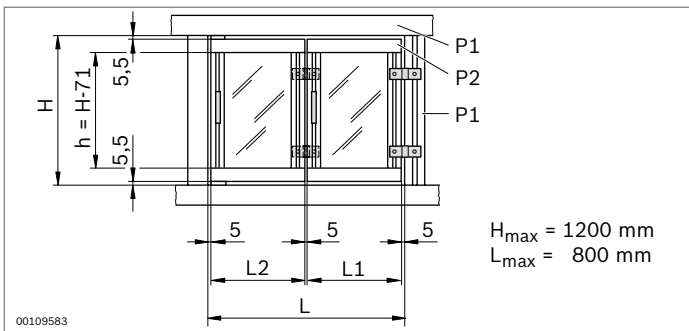




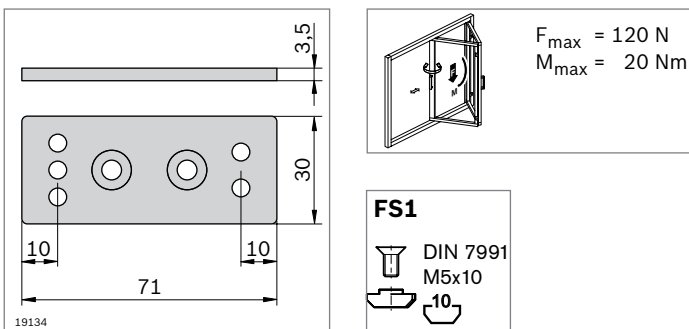
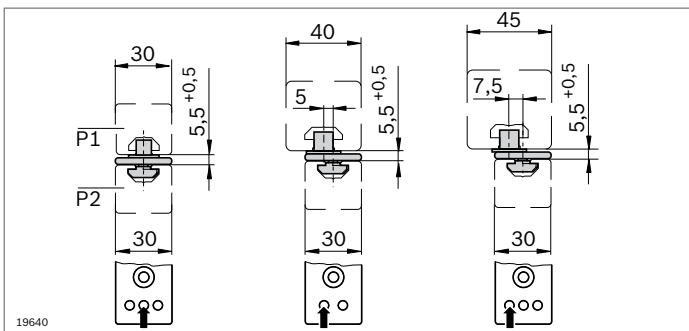
### Folding door element



- ▶ For a simultaneous swinging and sliding motion for making folding doors out of 30 mm profiles
- ▶ Extremely long service life (approx. 50,000 actuations)
- ▶ Suitable for frames made of profiles with 8 mm and 10 mm slot
- ▶ Frame and door profile are always flush (guide ring position depends on the thickness of the frame profile)



P2 (mm)	P1 (mm)	L1 (mm)	L2 (mm)
30X30	45x45	0.5L - 29.5	0.5L + 14.5
	40x40	0.5L - 28.3	0.5L + 13.3
	30x30	0.5L - 25.8	0.5L + 10.8

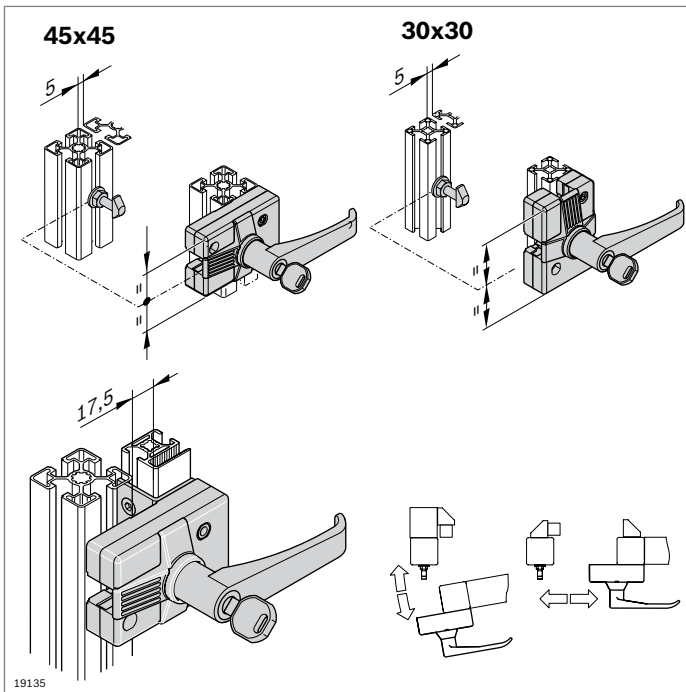


Folding door element	No.	FS
	<b>3 842 516 715</b>	2xFS1

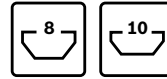
Material: Folding door element: diecast zinc  
 Guide ring: PA; black  
 Fastening material: steel; galvanized

Scope of delivery: incl. fastening material (FS)



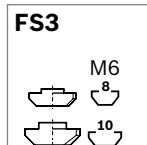
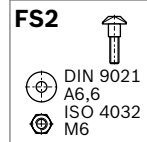
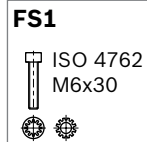
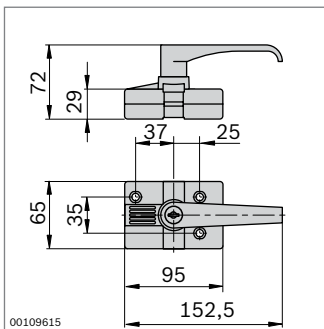


## Door lock for swinging and sliding doors



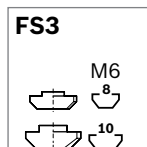
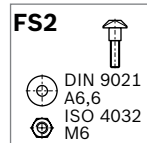
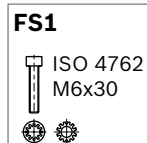
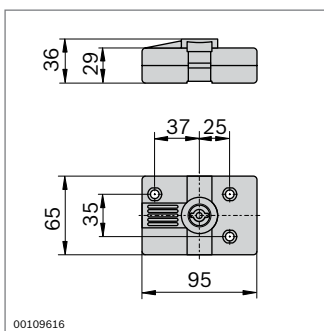
- ▶ Opening to the right and left
- ▶ Suitable for profiles 45x45 and 30x30
- ▶ “Standard locking” variant with random key selection (each lock has a different key)
- ▶ “Uniform locking” variant always has the same key
- ▶ Version with door handle or as two-way lock

Accessories:  
Adapter plate



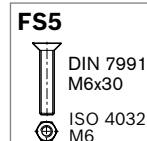
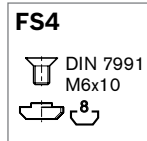
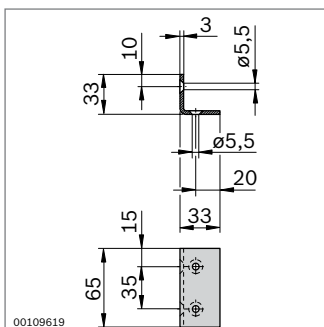
Door lock	No.	FS
<b>Standard locking</b>	30x30, 45x45	<b>3 842 525 821</b> 2xFS1, 1xFS2, 3xFS3
<b>Uniform locking</b>	30x30, 45x45	<b>3 842 525 822</b> 2xFS1, 1xFS2, 3xFS3

Material: Housing: Die-cast aluminum  
Door handle: PA, black  
mounting material: steel; galvanized  
Scope of delivery: incl. 3 keys, fastening material (FS)



Door lock	No.	FS
	30x30, 45x45	<b>3 842 525 823</b> 2xFS1, FS2, 3xFS3

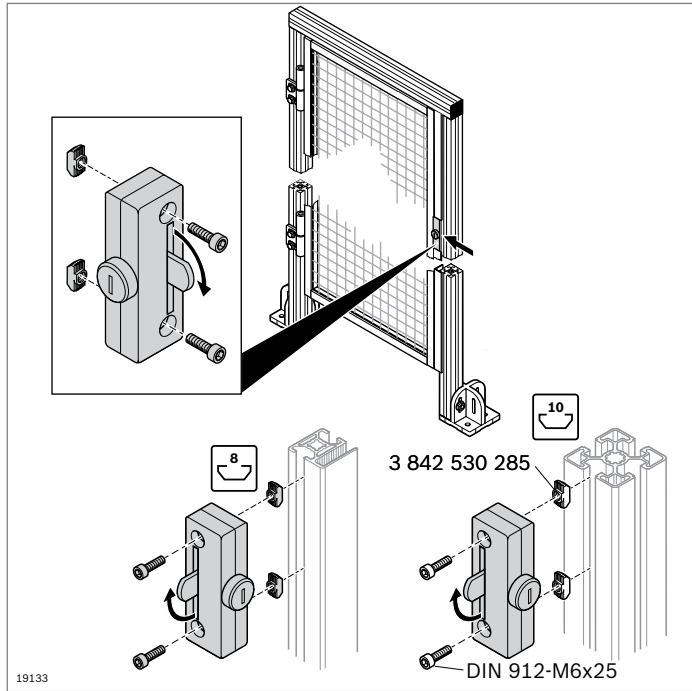
Material: diecast aluminum  
Fastening material: steel; galvanized  
Scope of delivery: incl. 1 x two-way key, fastening material (FS)



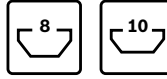
- ▶ Adapter plate for mounting the door lock on an EcoSafe protective frame (p. 10-6)

Adapter plate	No.	FS
	<b>3 842 523 243</b>	2xFS4, 2xFS5

Material: steel, galvanized  
Fastening material: steel; galvanized  
Scope of delivery: incl. fastening material (FS)



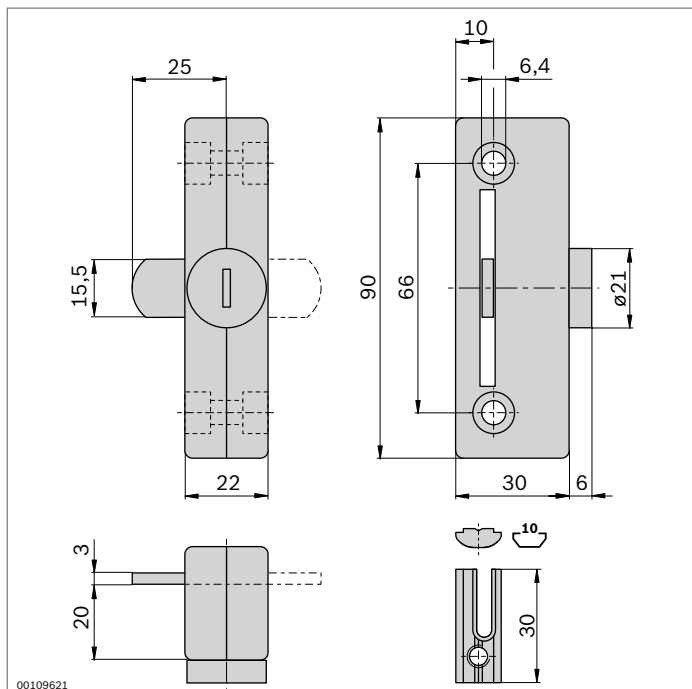
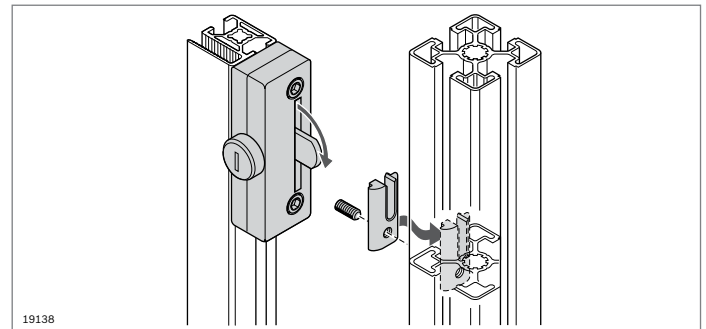
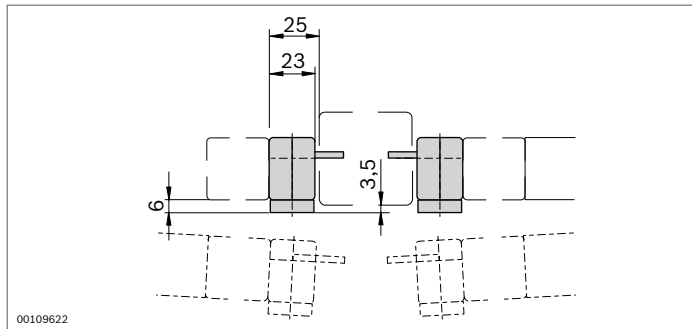
## Door lock



- ▶ Opening to the right and left
- ▶ For frame profile 30x30 WG (EcoSafe protective fence system); incl. fastening material
- ▶ “Standard locking” variant with random key selection (each lock has a different key)
- ▶ “Uniform locking” variant always has the same key

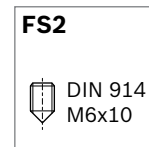
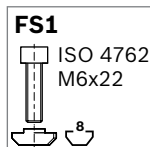
Accessories for mounting on profile with 10 mm slot:

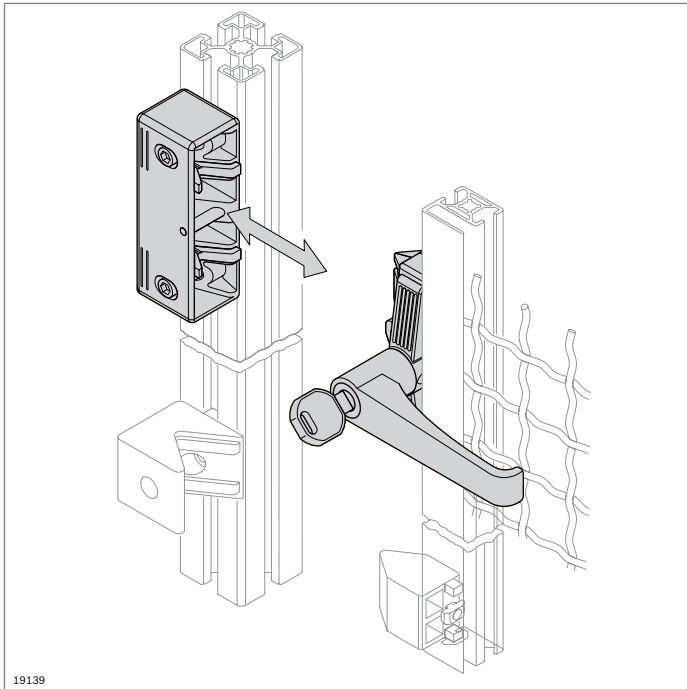
- ▶ 2 x T-nut M6, **3 842 530 285** (p. 3-4)
- ▶ 2 x screw DIN 912-M6x25



Door lock	No.	FS
<b>Standard locking</b>	<b>3 842 522 479</b>	2xFS1, 1xFS2
<b>Uniform locking</b>	<b>3 842 523 320</b>	2xFS1, 1xFS2

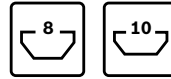
Material: diecast zinc  
Fastening material: steel; galvanized  
Scope of delivery: incl. 3 keys, fastening material (FS)





19139

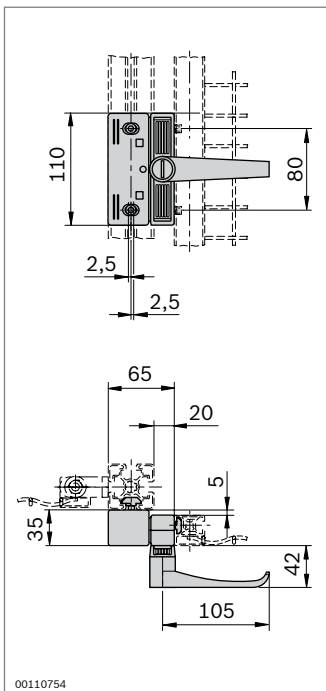
## Door lock for EcoSafe sliding doors



- ▶ Opening to the right and left
- ▶ “Standard locking” variant with random key selection (each lock has a different key)
- ▶ “Uniform locking” variant always has the same key

Optional accessories:

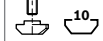
Stop kit for cushioned closing of the doors (p. 12-5)



00110754

### FS1

DIN 7984  
M6x40



### FS2

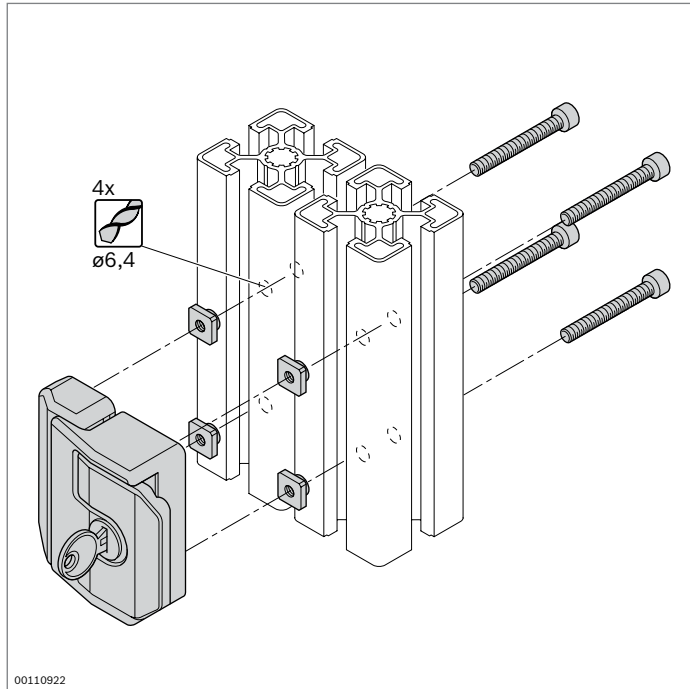
DIN 912  
M6x12



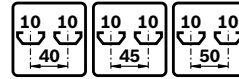
Door lock for sliding doors	No.	FS
Standard locking	3 842 525 946	2xFS1, 2xFS2
Uniform locking	3 842 525 947	2xFS1, 2xFS2

Material: Housing: Die-cast aluminum  
Door handle: PA, black  
mounting material: steel; galvanized

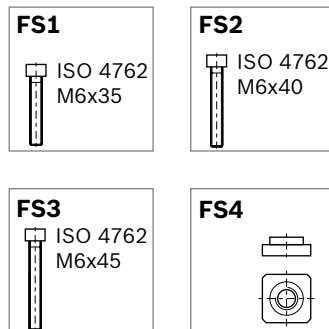
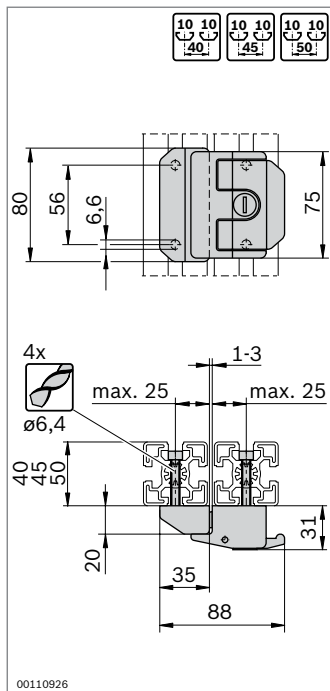
Scope of delivery: incl. 3 keys, fastening material (FS)



### Door lock for swing doors

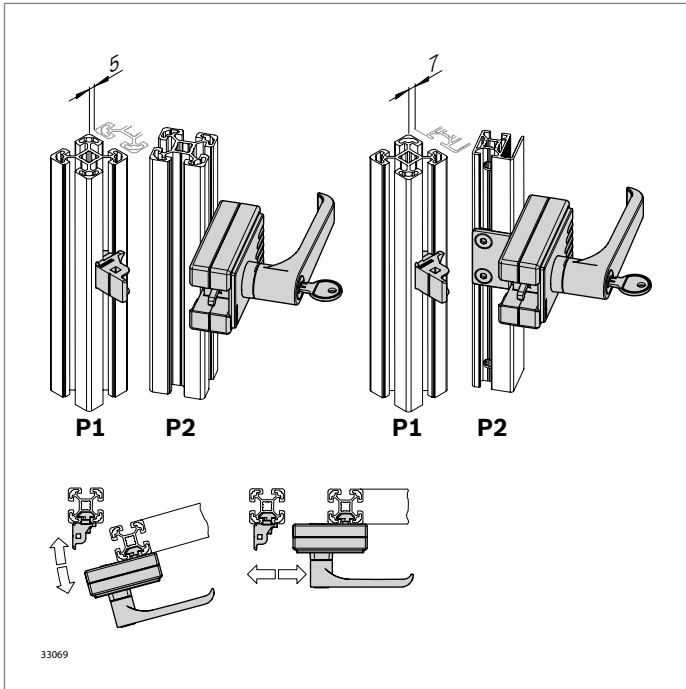


- ▶ Opening to the right and left
- ▶ Self-locking mechanism in the closed position
- ▶ Smooth closing
- ▶ Ergonomically designed folding handle for opening
- ▶ “Standard locking” variant with random key selection (each lock has a different key)
- ▶ “Uniform locking” variant always has the same key
- ▶ Profile finishing: drilling of hole D6.4

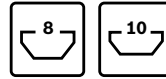


Door lock	No.	FS
<b>Standard locking</b>	<b>3 842 530 353</b>	4xFS1, 4xFS2, 4xFS3, 4xFS4
<b>Uniform locking</b>	<b>3 842 530 352</b>	4xFS1, 4xFS2, 4xFS3, 4xFS4

Material: diecast zinc; black powder-coated  
 Fastening material: steel; galvanized  
 Scope of delivery: incl. 2 keys, fastening material (FS)



### Door lock “multi-use” for swing and sliding doors

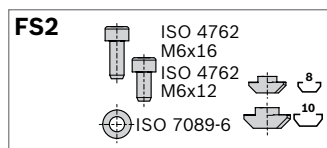
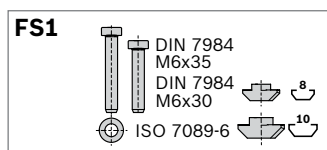
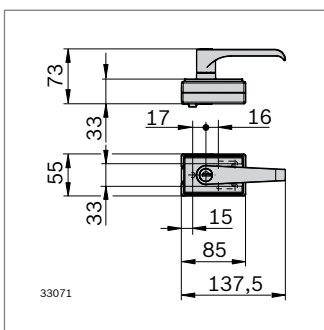


- ▶ Opening to the right and left
- ▶ For numerous profile combinations
- ▶ “Standard locking” variant with random key selection (each lock has a different key)
- ▶ “Uniform locking” variant always has the same key
- ▶ Version with door handle or as two-way lock
- ▶ Covered fastening screws
- ▶ Differing gap measurements for doors < 400 mm with modular dimensions up to 45 mm and < 600" mm for modular dimensions of 50 mm (see assembly instructions 3 842 554 184)
- ▶ Without profile finishing

Optional accessories:

Adapter plate for connecting to a WG40 or WG30 woven wire grille profile (p. 10-9)

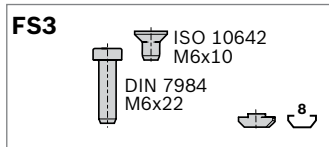
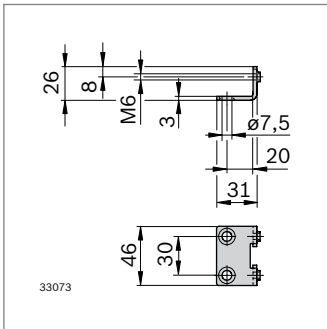
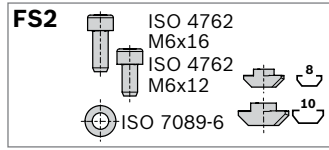
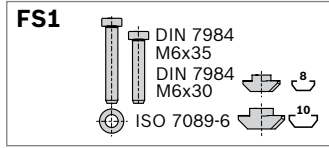
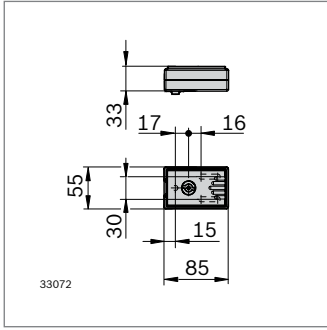
P1	P2	P2	P2	P2	P2
30	WG30/40	30	-	-	-
40	WG30/40	30	40	-	-
45	WG30/40	30	40	45	-
50	WG30/40	30	40	45	50
60	WG30/40	30	40	-	-



Door lock “multi-use” for swing and sliding doors	No.	FS
Standard locking	3 842 548 971	2xFS1, FS2
Uniform locking	3 842 548 970	2xFS1, FS2

Material: Housing: diecast zinc  
 Door handle: PA6, black  
 Cover: PP; signal gray RAL 7004  
 Fastening material: steel; galvanized

Scope of delivery: incl. 3 keys, fastening material (FS)



Door lock "multi-use" for swing and sliding doors	No.	FS
---	-----	----

<b>Two-way lock</b>	<b>3 842 548 965</b>	2xFS1, FS2
---------------------	----------------------	------------

Material: Housing: diecast zinc  
Cover: PP; signal gray RAL 7004 fastening material: steel; galvanized

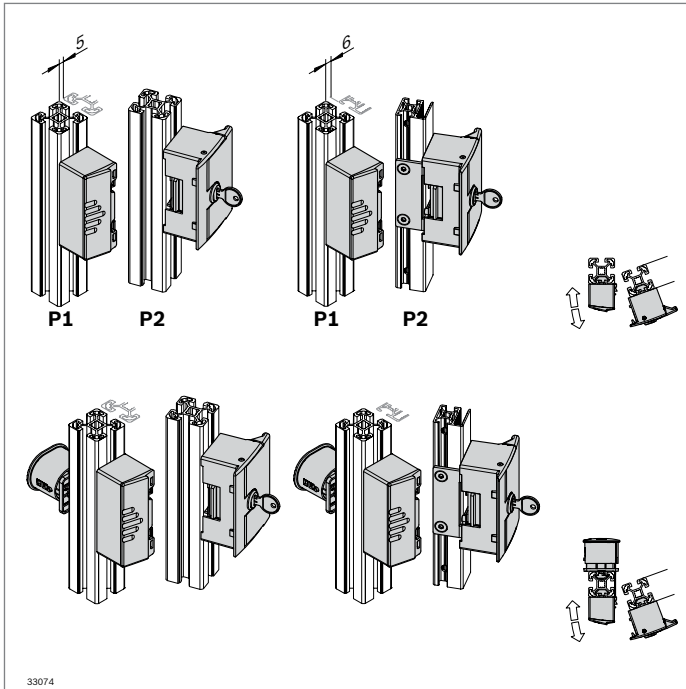
Scope of delivery: incl. 1x two-way key, fastening material

Adapter plate	No.	FS
---------------	-----	----

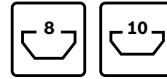
<b>EcoSafe</b>	<b>3 842 548 969</b>	2xFS3
----------------	----------------------	-------

Material: steel; galvanized  
Fastening material: steel; galvanized

Scope of delivery: Incl. fastening material



## Door lock “compact” for swing doors

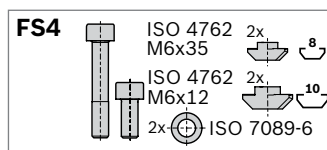
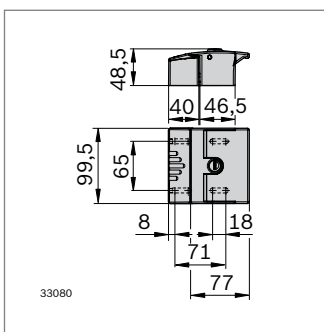


- ▶ Opening to the right and left
- ▶ For numerous profile combinations
- ▶ “Standard locking” variant with random key selection (each lock has a different key)
- ▶ “Uniform locking” variant always has the same key
- ▶ Covered fastening screws
- ▶ Installation of an emergency opening mechanism for unlocking from inside in emergency possible (Gap measurements according to assembly instructions 3 842 554 192)
- ▶ Without profile finishing

Optional accessories:

- ▶ Adapter plate for connecting to a WG40 or WG30 woven wire grille profile (p. 10-9)
- ▶ Emergency opening mechanism (p. 8-18)

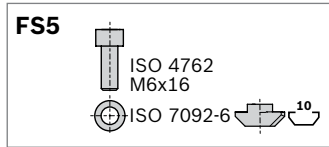
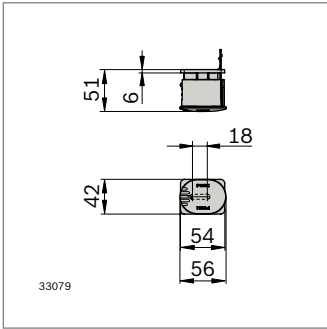
P1	P2	P2	P2	P2	P2
30	WG30/40	30	–	–	–
40	WG30/40	30	40	–	–
45	WG30/40	30	40	45	–
50	WG30/40	30	40	45	50
60	WG30/40	–	40	45	50



Door lock “compact” for swing doors	No.	FS
Standard locking	3 842 553 640	2xFS4
Uniform locking	3 842 553 639	2xFS4

Material: Housing: diecast aluminum  
Cover: PP; signal gray RAL 7004 fastening material: steel; galvanized

Scope of delivery: incl. 2 keys, fastening material

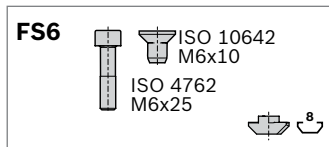
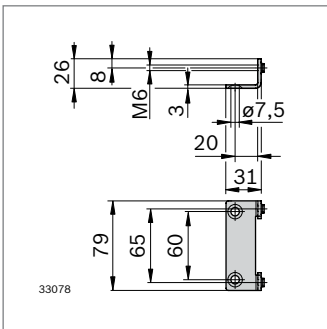


► For emergency opening of the door lock “compact” from the inside in its locked state

Emergency unlocking	No.	FS
<b>Compact</b>	<b>3 842 554 134</b>	FS5

Material: steel; galvanized  
Pushbutton: PA6; red RAL 3020 fastening material: steel; galvanized

Scope of delivery: Incl. fastening material

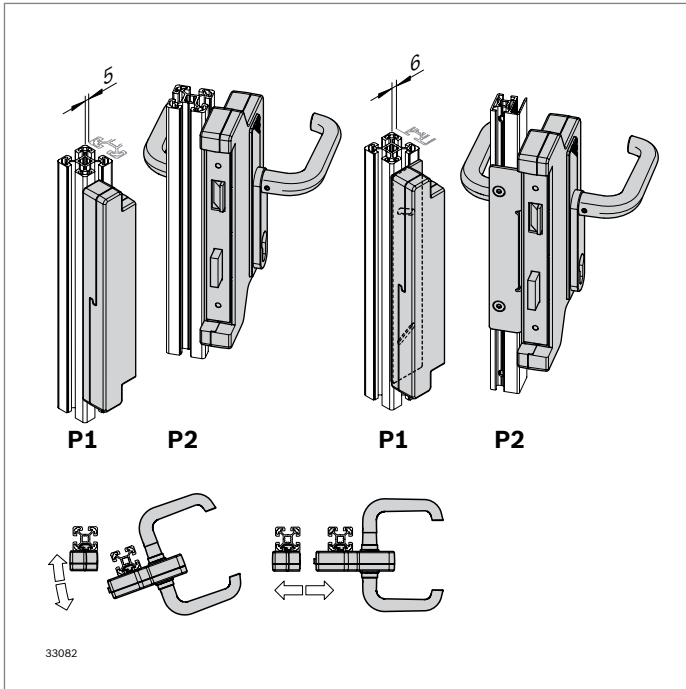


Adapter plate	No.	FS
<b>EcoSafe</b>	<b>3 842 554 136</b>	2xFS6

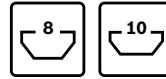
Material: steel; galvanized  
Fastening material: steel; galvanized

Scope of delivery: Incl. fastening material





## Chamber lock for swing and sliding doors

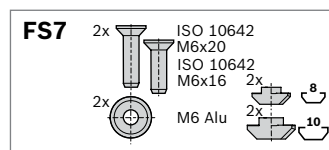
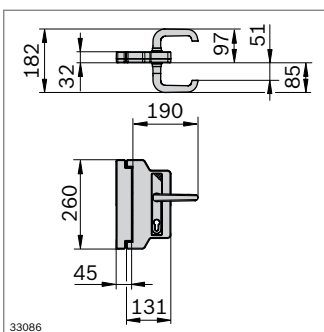


- ▶ Opening to the right and left
- ▶ For numerous profile combinations
- ▶ For installation of a standard lock cylinder (not included in the scope of delivery)
- ▶ Version with door handle, can be opened from inside and outside
- ▶ Without profile finishing
- ▶ Covered fastening screws

Optional accessories:

- ▶ Adapter plate for connecting to a WG40 or WG30 woven wire grille profile (p. 10-9)
- ▶ Lock cylinder (p. 8-20)

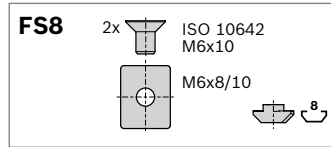
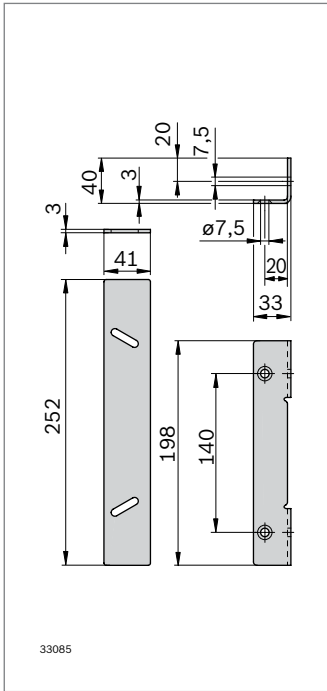
P1	P2	P2	P2	P2	P2
30	WG30/40	30	-	-	-
40	WG30/40	30	40	-	-
45	WG30/40	30	40	45	-
50	WG30/40	30	40	45	50
60	WG30/40	30	40	45	50



Chamber lock	No.	FS
Sliding door	3 842 554 151	2xFS7
Swing door	3 842 554 150	2xFS7

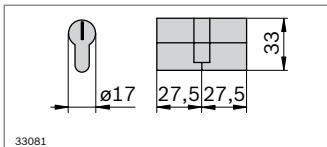
Material: Housing: PA6 signal gray (RAL7004); door handle: anodized aluminum;  
Fastening material: steel; galvanized  
Washer: aluminum

Scope of delivery: Incl. fastening material

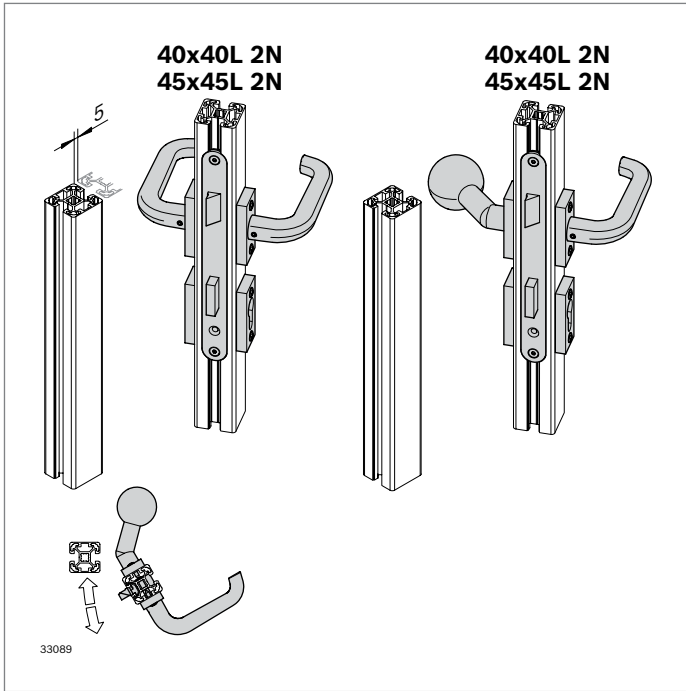


Adapter plate	No.	FS
<b>Chamber lock</b>	<b>3 842 554 152</b>	2xFS8

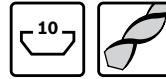
Material: steel; galvanized  
Fastening material: steel; galvanized  
Scope of delivery: incl. fastening material



- Conventional lock cylinder 27.5/27.5 is not included in the scope of delivery.



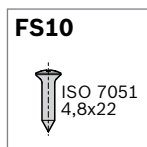
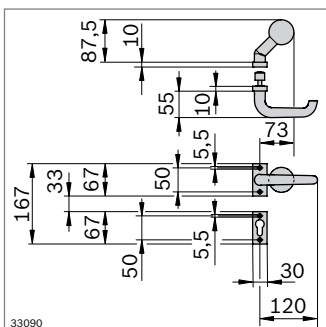
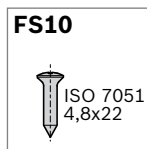
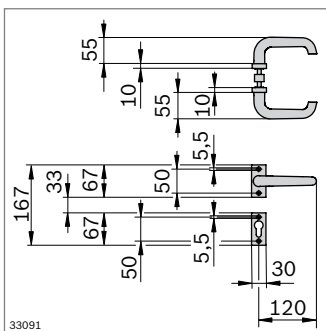
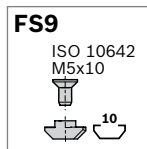
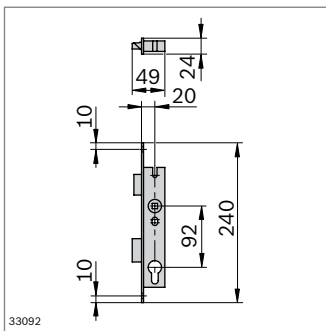
## Mortise lock for swing doors



- ▶ For installation in 40x40L 2N or 45x45L 2N profiles
- ▶ For installation of a standard lock cylinder (not included in the scope of delivery)
- ▶ Robust design
- ▶ Door handle in the variants: Handle/handle, handle/knob
- ▶ Milled/drilled profile finishing
- ▶ Profile finishing can be ordered over Quick&Easy

### Accessories:

- ▶ Handle/handle
- ▶ Handle/knob
- ▶ Lock cylinder (p. 8-22)



Mortise lock	No.	FS
	<b>3 842 553 638</b>	2xFS9

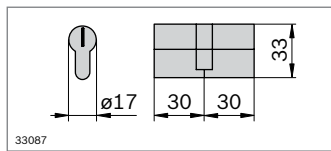
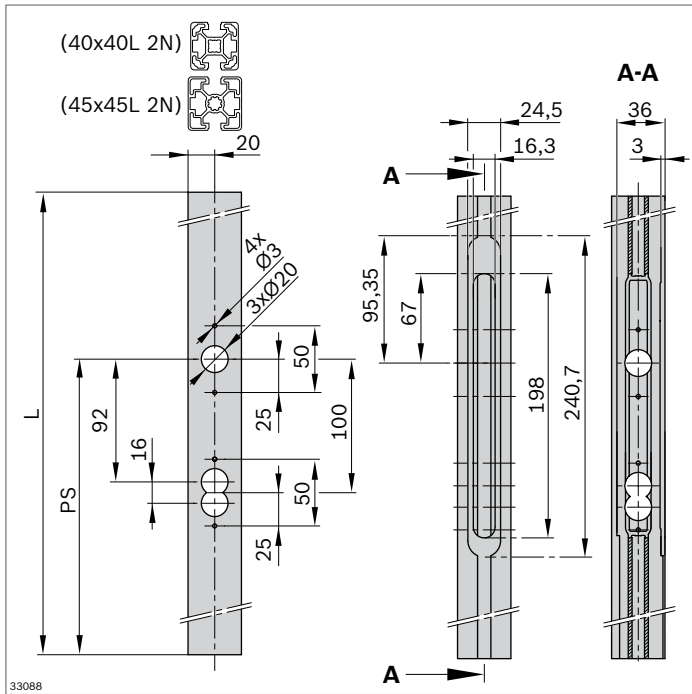
Material: Steel  
 Fastening material: steel; galvanized  
 Scope of delivery: Incl. fastening material

Handle/handle	No.	FS
	<b>3 842 553 631</b>	8x FS10

Material: aluminum, anodized  
 Fastening material: steel; galvanized  
 Scope of delivery: Incl. fastening material

Handle/knob	No.	FS
	<b>3 842 553 630</b>	8x FS10

Material: aluminum, anodized  
 Fastening material: steel; galvanized  
 Scope of delivery: Incl. fastening material

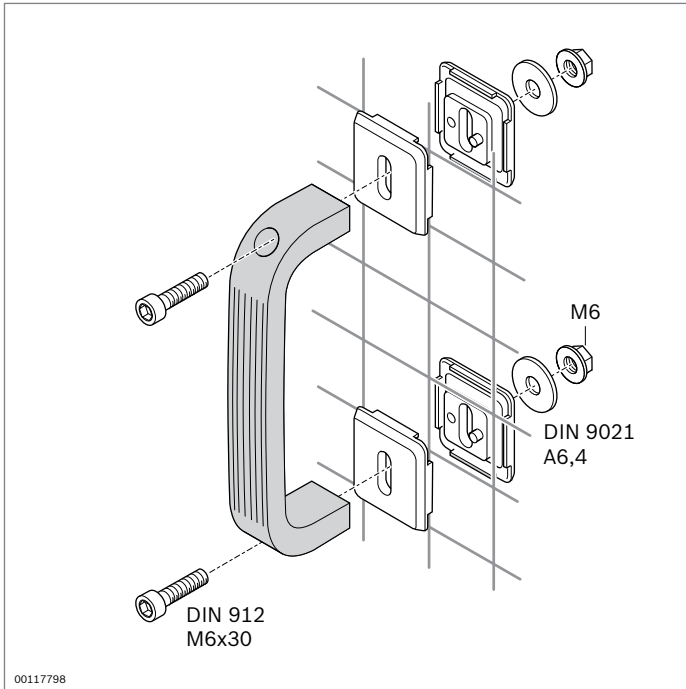


- ▶ Dimensional drawing of the profile finishing for mortise lock
- ▶ Finishing type “LM” (Lock Milling)
- ▶ Can be ordered over Quick&Easy

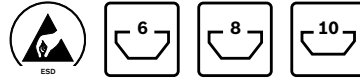
Strut profile	No.	Finishing type	Parameter
40x40L 2N	<b>3 842 993 720</b>	LM	PS, L
45x45L 2N	<b>3 842 993 739</b>	LM	PS, L

Parameter input - example: 3842993739 L=1800; [B=LM;PS=1100]

- ▶ Conventional lock cylinder 30/30 is not included in the scope of delivery.



## Bow-type handle

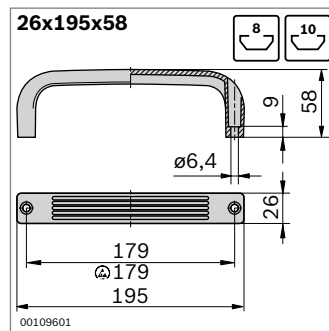
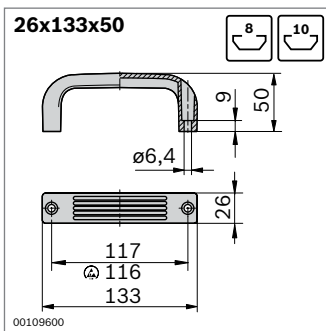
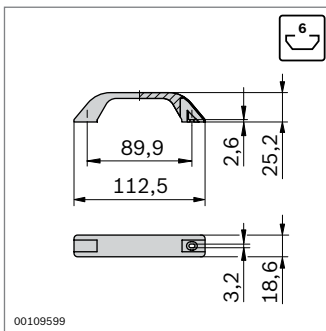


### Bow-type handle

- ▶ Robust construction equipped to withstand strong forces
- ▶ Fastening in the profile slot or on a woven wire grille with the clamping element
- ▶ Suitable for use in ESD-protected environments

#### Optional accessories:

- ▶ clamping element for mounting on woven wire grille (p. 10-19)
- ▶ T-nut (p. 3-4)

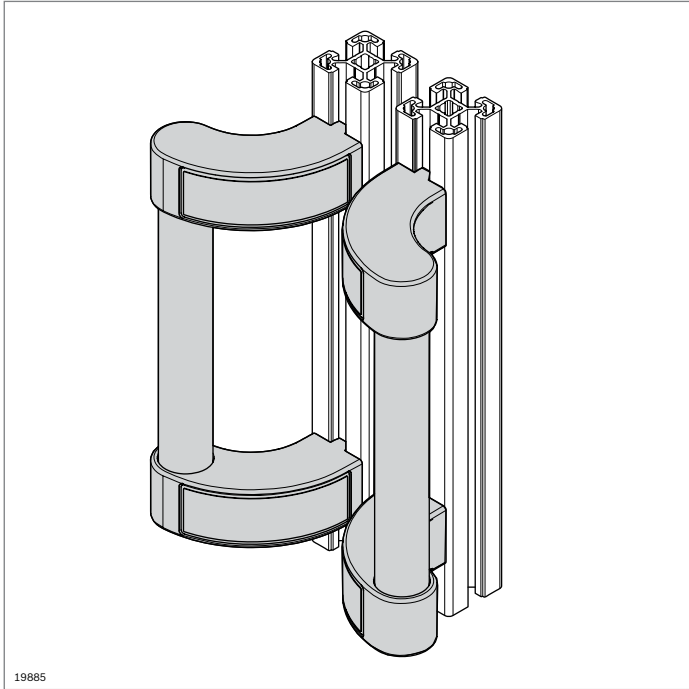


Bow-type handle	ESD	No.
	10	3 842 518 738

Material: PE; black

Bow-type handle	ESD	No.
26x133x50	10	3 842 525 480
	10	3 842 525 481
26x195x58	10	3 842 525 766
	10	3 842 525 767

Material: PA; black

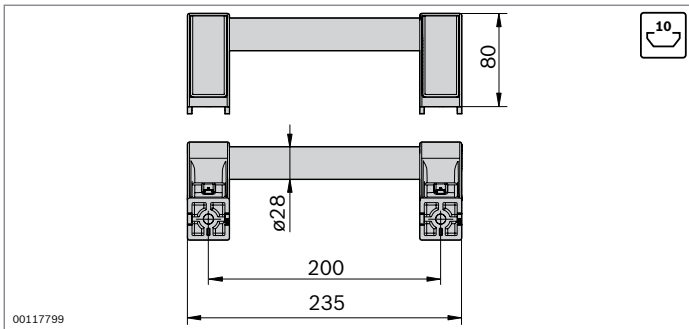


19885

## Safety handle



- ▶ Prevents injuries caused by catching of body parts when closing sliding doors
- ▶ Suitable for sliding or swing doors
- ▶ The length of the handle can be varied by changing the tube D28

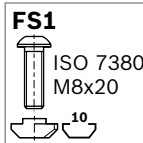


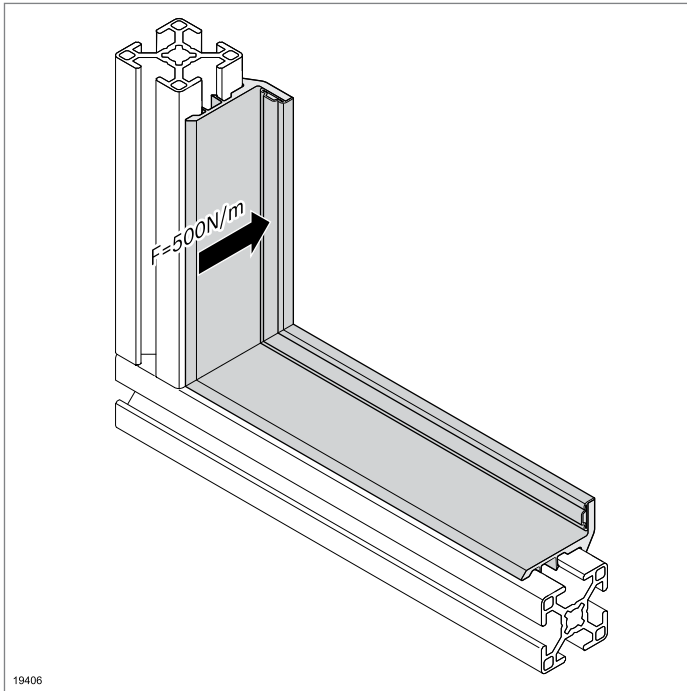
00117799

Safety handle	No.	FS
	<b>3 842 536 556</b>	2xFS1

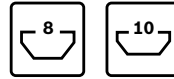
Material: Round tube D28: aluminum, anodized  
Holder: PA; black

Scope of delivery: incl. fastening material (FS)

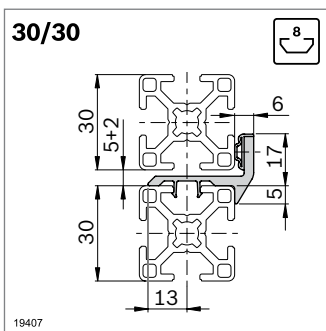




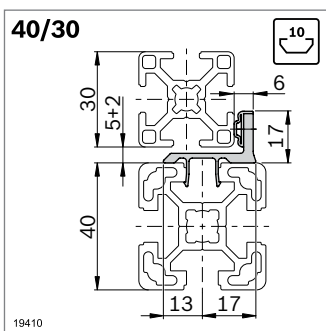
## Sealing strip



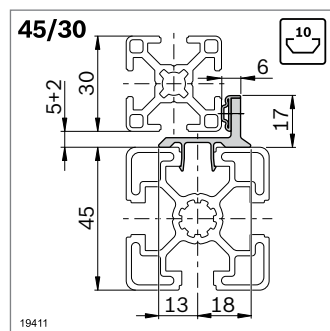
- ▶ For sealing doors (width > 500 mm) with an elastic lip seal
- ▶ Can be clipped into the slot
- ▶ Non-transparent elastic lip seal covers the door gap
- ▶ Stop for swing doors (impact force: 500 N/m)
- ▶ For flush-closing doors



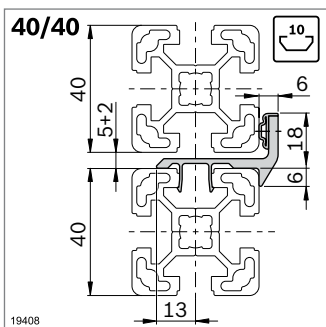
19407



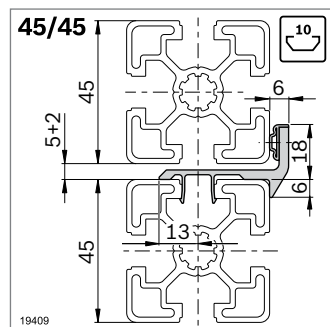
19410



19411



19408



19409

Sealing strip	L (mm)		No.
30/30	3000	10	3 842 543 412

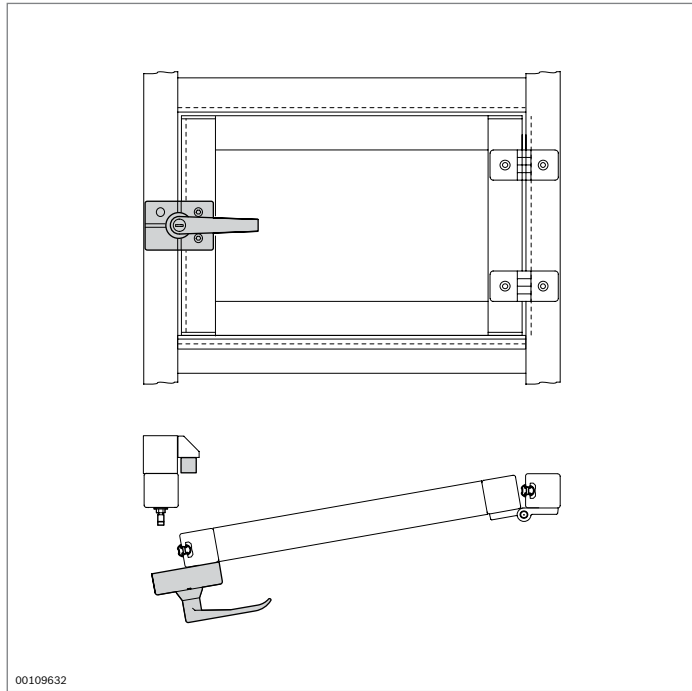
Material: PVC/TPE, light gray RAL 7035

Sealing strip	L (mm)		No.
40/30	3000	10	3 842 543 411
45/30	3000	10	3 842 543 410

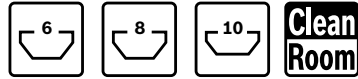
Material: PVC/TPE, light gray RAL 7035

Sealing strip	L (mm)		No.
40/40	3000	10	3 842 543 409
45/45	3000	10	3 842 543 408

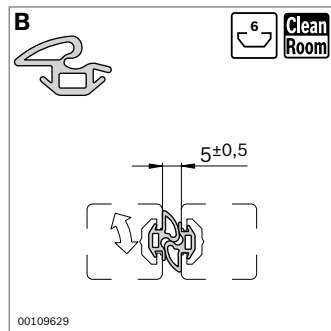
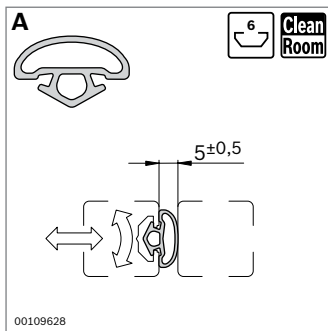
Material: PVC/TPE, light gray RAL 7035



### Sealing profile



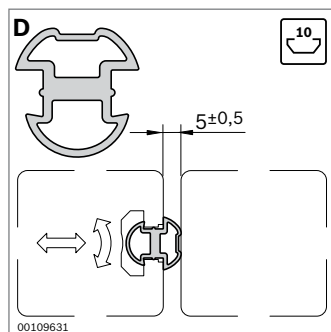
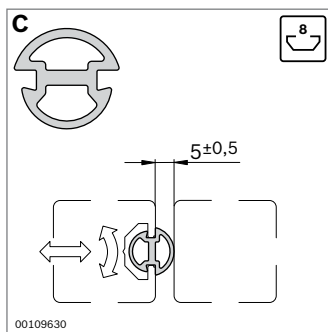
- ▶ For sliding and swing doors
- ▶ Prevents particles from entering or escaping



- ▶ Suitable for use in cleanroom environments
- ▶ Two-piece seal (B) also performs a stop function.

Sealing profile	Slot	L (mm)	No.
A	6	10000	3 842 524 623
B	6	10000	3 842 524 622

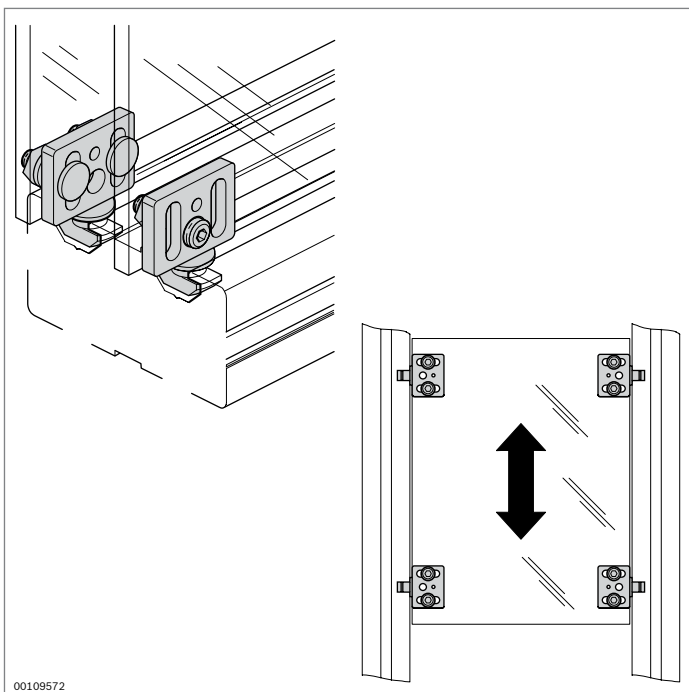
Material: TPE; light gray RAL 7035, hardness: 64° ±5 shore A



Sealing profile	Slot	L (mm)	No.
C	8	10000	3 842 516 598
D	10	10000	3 842 518 492

Material: NBR; black, hardness 60° shore A



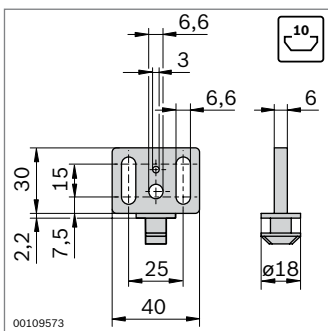


00109572

### Slider

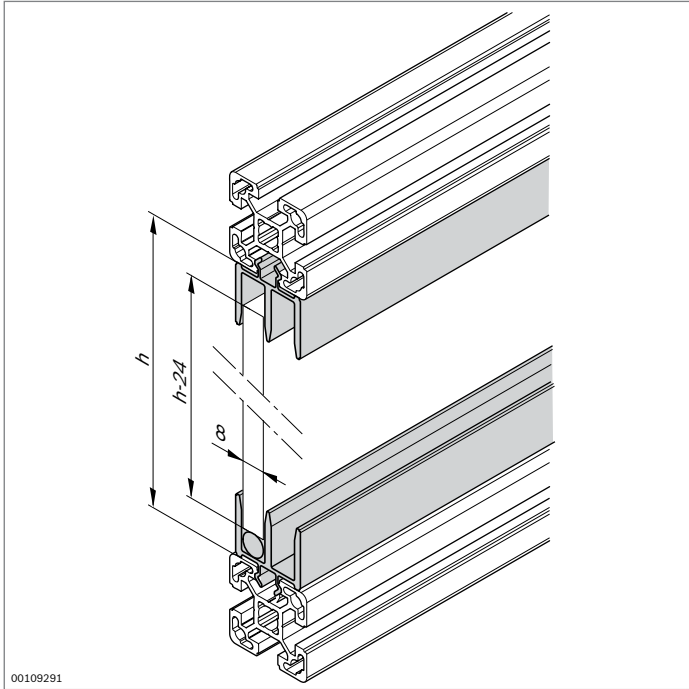


- ▶ For constructing inexpensive sliding and lifting doors
- ▶ Good functional reliability

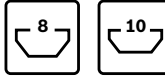


00109573

Slider	 No.
Material: POM; black	10 <b>3 842 530 303</b>



### Sliding door profile, PVC

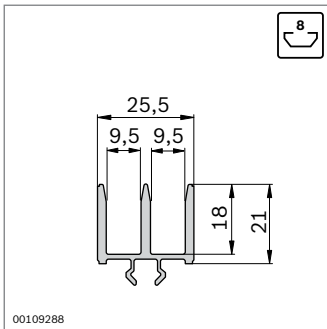


- ▶ Can be clipped into the supporting frame made of strut profiles
- ▶ Round rod to minimize the displacement force required
- ▶ For surface elements of a thickness of 8 mm
- ▶ Insertion of the surface element into closed frame

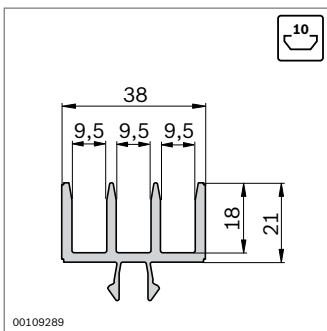
Optional accessories:

- ▶ Edge protector (p. 8-32)
- ▶ Door handle profile (p. 8-32)
- ▶ Bow-type handle (p. 8-23)

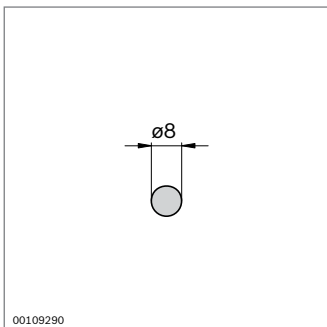
00109291



00109288



00109289



00109290

Sliding door profile PVC	Slot	L (mm)		No.
	8	2000	10	<b>3 842 526 588</b>

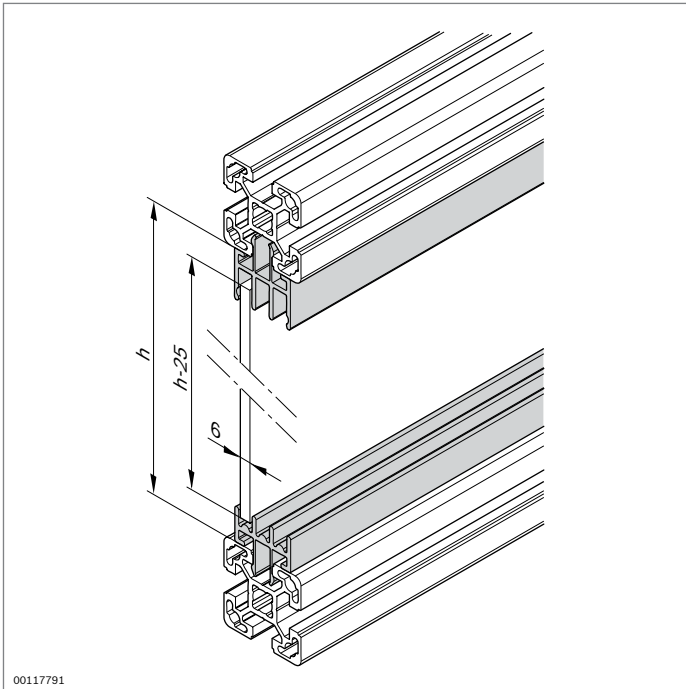
Material: PVC; black

Sliding door profile PVC	Slot	L (mm)		No.
	10	2000	10	<b>3 842 526 591</b>

Material: PVC; black

Round rod	L (mm)		No.
	2000	10	<b>3 842 516 694</b>

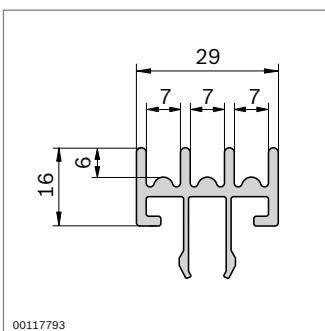
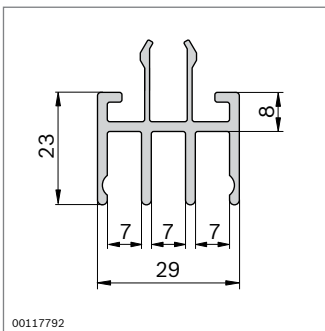
Material: POM; black



## Sliding door profile AI Clip



- ▶ Can be clipped into the supporting frame made of strut profiles
- ▶ Sliding door profile, bottom, with half-round floor contour to minimize the displacement force required
- ▶ For surface elements with a thickness of 5 or 6 mm
- ▶ Insertion of the surface element into closed frame

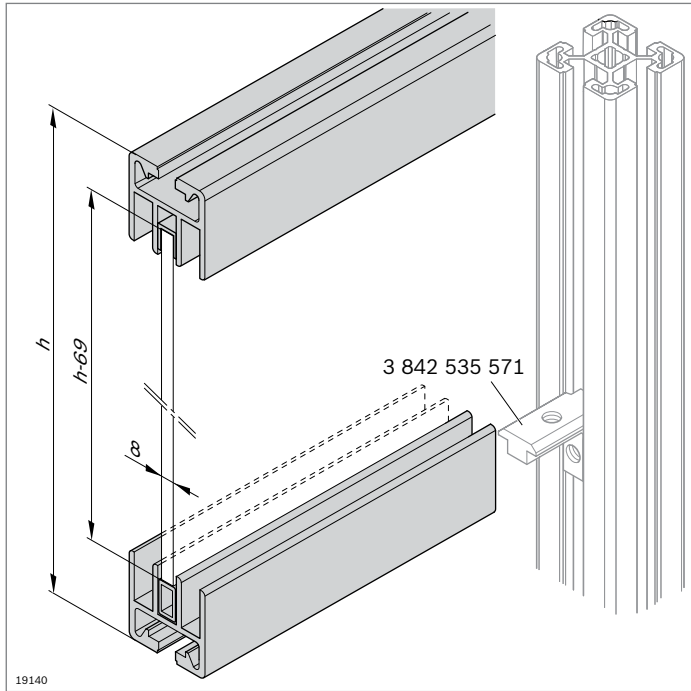


Sliding door profile, top		L (mm)	No.
1 pcs		40 ... 3000	<b>3 842 993 425 / L</b>
10 pcs		3000	<b>3 842 536 531</b>

Material: aluminum, anodized

Sliding door profile, bottom		L (mm)	No.
1 pcs		40 ... 3000	<b>3 842 993 426 / L</b>
10 pcs		3000	<b>3 842 536 532</b>

Material: aluminum, anodized



## Sliding door profile AI 45 Cover cap, end piece

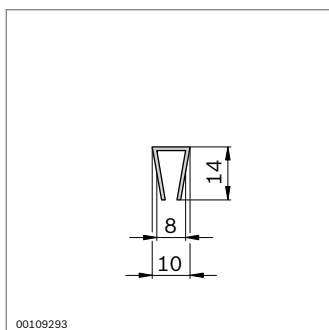
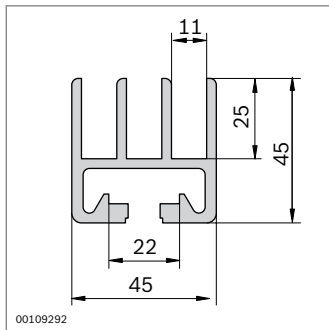


### Sliding door profile AI 45

- ▶ Aluminum profile as a supporting construction element
- ▶ Installation using inner brackets between two vertical struts
- ▶ Slide profile to edge the upper part of the sliding door
- ▶ Insertion profile acts as a slide surface
- ▶ For surface elements of a thickness of 8 mm
- ▶ Insertion of the surface element into closed frame

#### Accessories:

- ▶ Cover cap (p. 8-31)
- ▶ End piece (p. 8-31)
- ▶ Inner bracket (p. 3-13) Inner bracket R (p. 3-14)

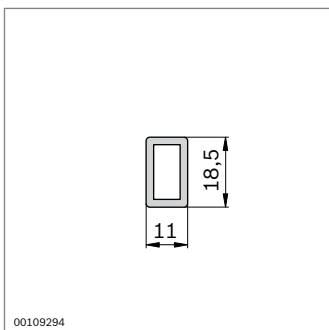


Sliding door profile	L (mm)	No.
1 pcs	100 ... 5600	<b>3 842 990 115 / L</b>
1 pcs F1  F1	100 ... 5600	<b>3 842 990 116 / L</b>
20 pcs	5600	<b>3 842 509 177</b>

Material: aluminum, anodized

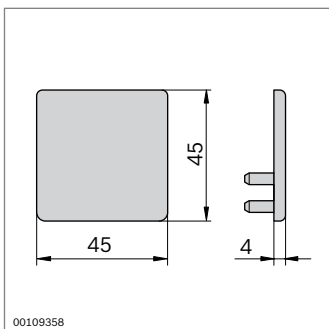
Glide profile	L (mm)		No.
	3000	10	<b>3 842 146 905</b>

Material: hard PVC, black



Insertion profile	L (mm)	ESD	No.
	3000	10	<b>3 842 146 902</b>

Material: PA; black

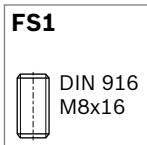
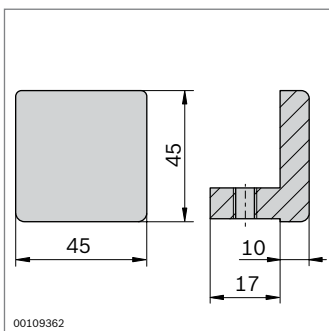


### Cover cap

- ▶ As a design element and to prevent injuries

Cover cap	Color	ESD	No.
	Signal gray	20	<b>3 842 551 662</b>

Material: PP



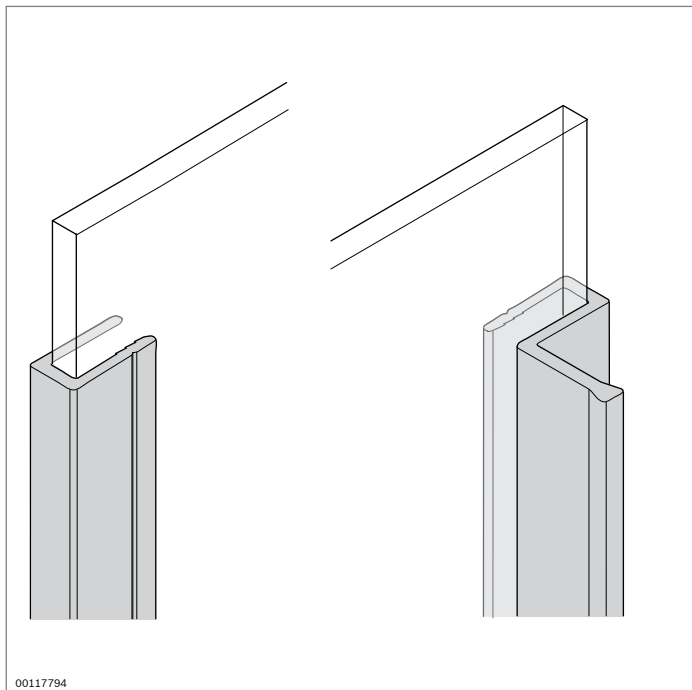
### End piece

- ▶ For use as a stop for sliding elements
- ▶ Clamping with setscrew in the profile slot

End piece	ESD	No.	FS
	20	<b>3 842 191 194</b>	FS1

Material: Die-cast aluminum

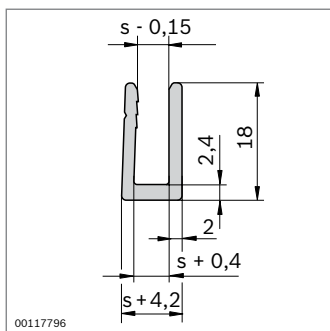
Scope of delivery: incl. fastening material (FS)



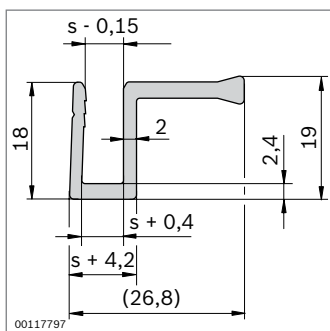
00117794

### Edge protector Door handle profile







- ▶ For reinforcing frameless surface elements on sliding doors
- ▶ Profile for  $s = 6$  mm can also be used for 1/4 inch plates



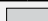

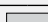
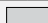


00117796



00117797

Edge protector	s (mm)	L (mm)	No.
1 pcs 	5	40 ... 3000	<b>3 842 993 429 / L</b>
 10 pcs 	5	3000	<b>3 842 536 537</b>
1 pcs 	6	40 ... 3000	<b>3 842 993 430 / L</b>
 10 pcs 	6	3000	<b>3 842 536 540</b>

Material: aluminum, anodized

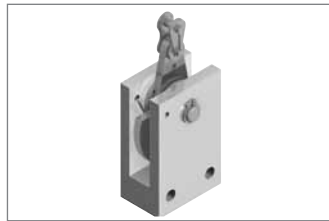
Door handle profile	s (mm)	L (mm)	No.
1 pcs 	5	40 ... 3000	<b>3 842 993 427 / L</b>
 10 pcs 	5	3000	<b>3 842 536 533</b>
1 pcs 	6	40 ... 3000	<b>3 842 993 428 / L</b>
 10 pcs 	6	3000	<b>3 842 536 536</b>

Material: aluminum, anodized

# Accessories for protective devices



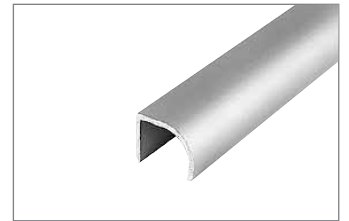
Counterbalance (p. 9-2)



Safety catch (p. 9-4)



Bumper (p. 9-5)



Handle bar (p. 9-5)



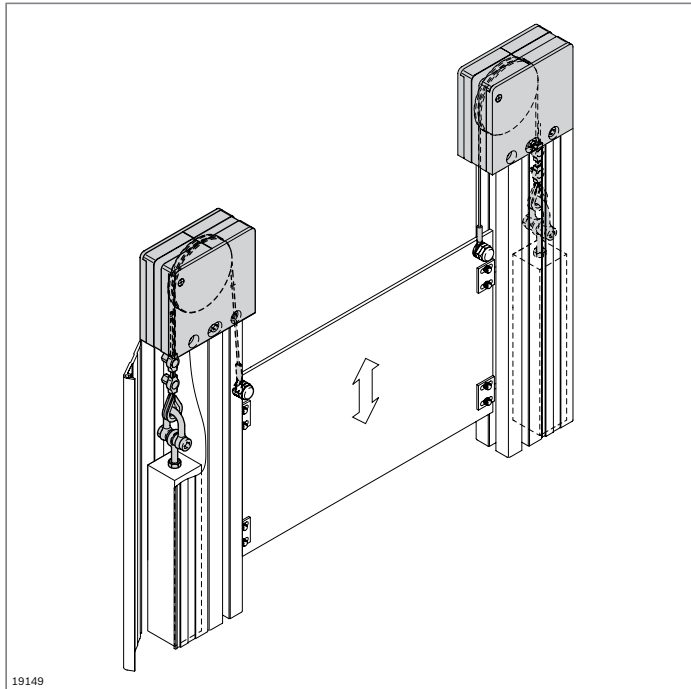
Magnet catch (p. 9-6)



Double ball stop latch (p. 9-7)



Ball catch (p. 9-8)



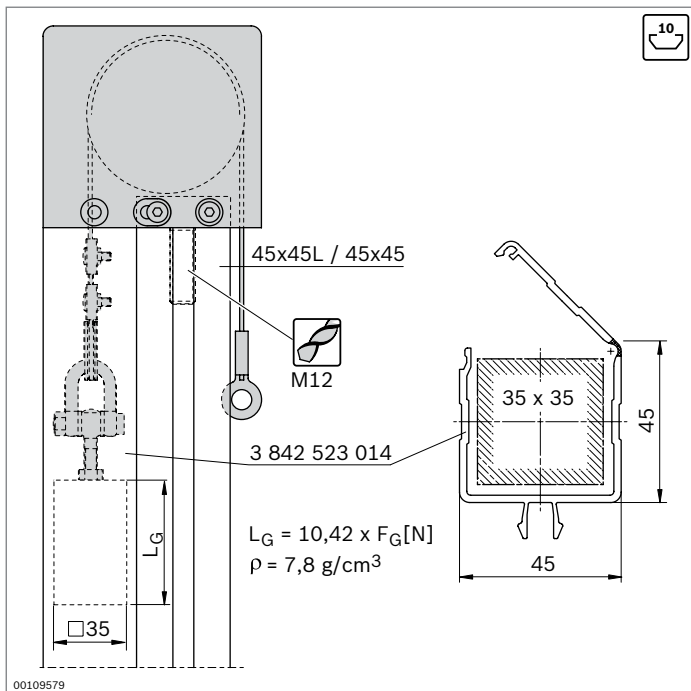
## Counterbalance



- ▶ For lifting doors comprising a deflection pulley and control cable
- ▶ Counterweight individually adjustable and preferably guided in a cable duct
- ▶ Length of cable can be adjusted
- ▶ Service life: 50,000 actuations
- ▶ Profile finishing:
  - M12 for fastening the deflection pulley
- ▶ Fit lifting doors with a back-up fall arrestor in accordance with the Machinery Directive 2006/42/EC

Required accessories:

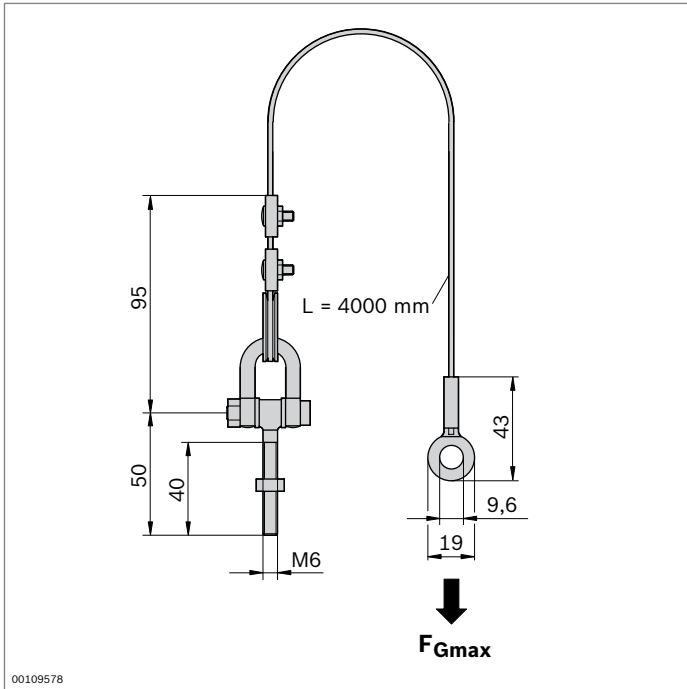
counterbalance weight (square profile 35x35 mm)



Optional accessories:

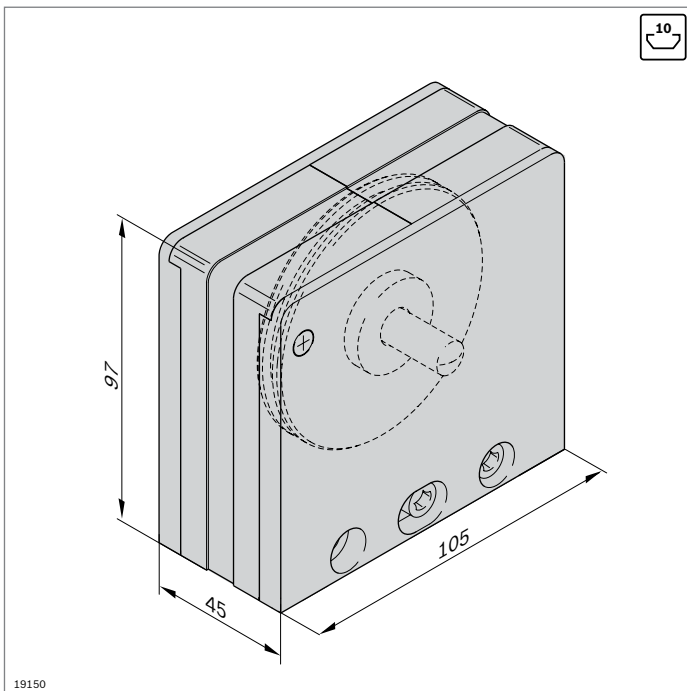
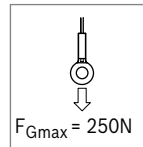
- ▶ cable duct 45x45 (p. 11-2)
- ▶ slider (p. 12-3/8-27)
- ▶ safety catch (p. 9-4)





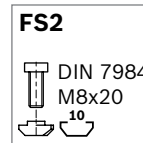
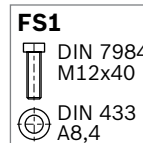
Counterbalance control cable	No.
	3 842 518 798

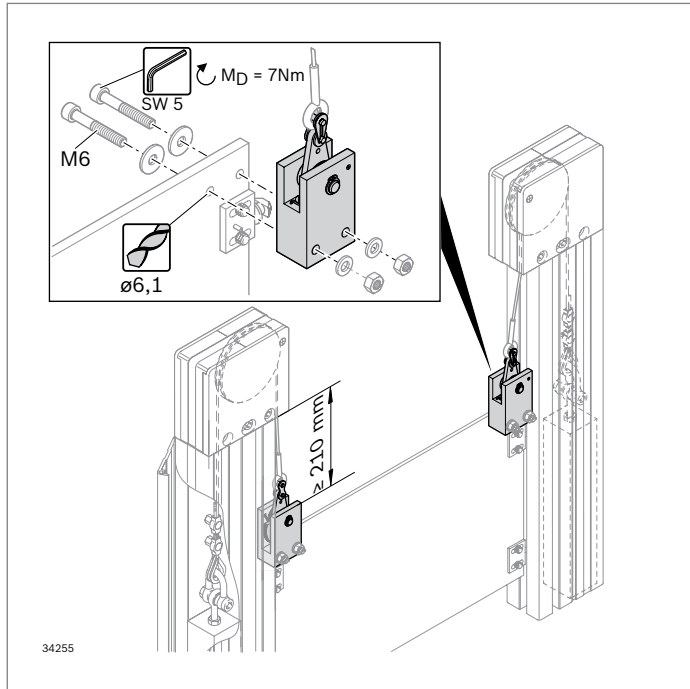
Material: steel, stainless



Counterbalance deflection pulley	No.	FS
	3 842 518 797	FS1, FS2

Material: Housing: PA; black  
Fastening material: steel; galvanized  
Scope of delivery: incl. fastening material (FS)





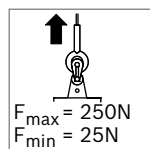
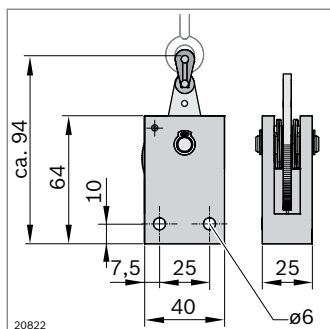
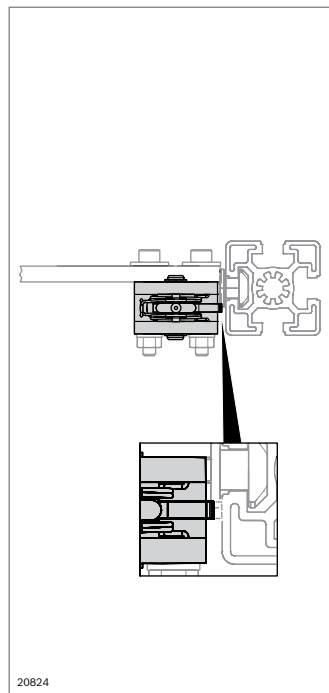
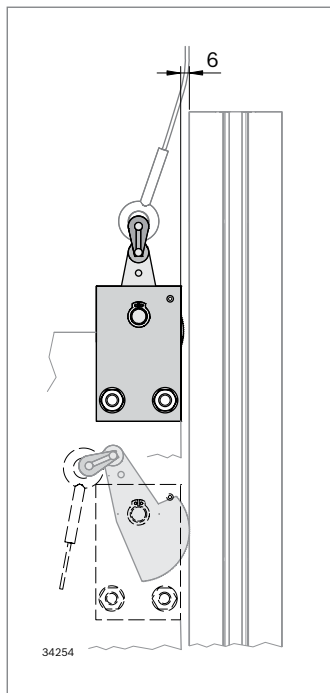
## Safety catch



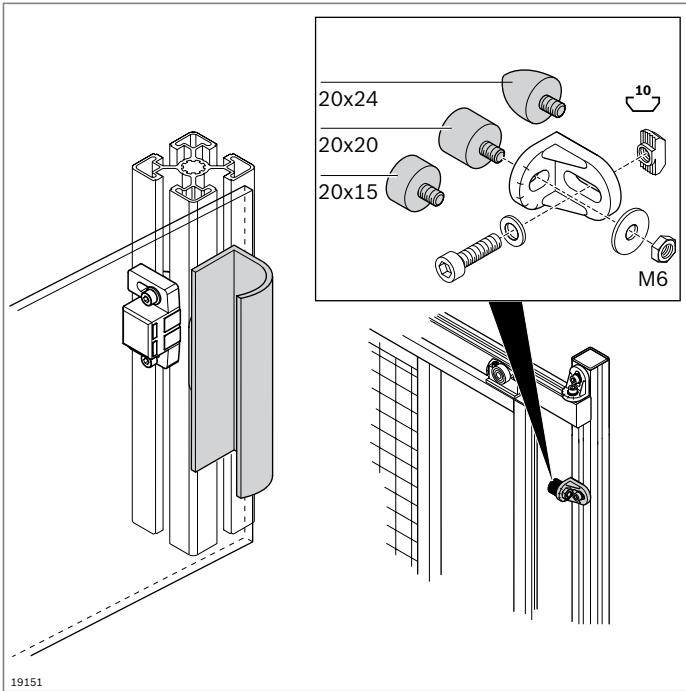
- ▶ The safety catch in conjunction with the other components prevents a lifting door from falling if a cable breaks
- ▶ If a cable breaks, the revolving part of the safety catch jams against a counterbearing and is wedged in position in the guide profile
- ▶ Gap dimension between safety catch body and lateral guide profile: 6 mm
- ▶ One safety catch is required for each cable.
- ▶ Max. load per safety catch: 250 N
- ▶ Min. load per safety catch: 25 N
- ▶ The counterbearing (e.g. slider **3 842 530 303**) should be mounted under the safety catch and as close as possible to it
- ▶ It can also be mounted without a frame on surface elements which have adequate transverse rigidity
- ▶ Before installation and use please read the data sheet containing notes on use which is enclosed with the product

### Optional accessories:

- ▶ Slider (p. 12-3)
- ▶ Fastening material for attaching the safety catch to the lifting door
- ▶ Counterbalance (p. 9-2)
- ▶ Strut profiles (from p. 2-1)



Safety catch	No.
	<b>3 842 546 519</b>
Material:	Housing: aluminum Rotating disk: steel, rust-free Bolt: steel, hardened Chain lock: steel, nickel-plated Spacer disk: POM
Scope of delivery:	incl. chain lock for securing the cable
Condition on delivery:	Fully assembled



## Bump stop Handle bar

### Bump stop

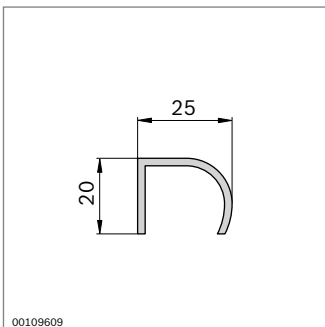
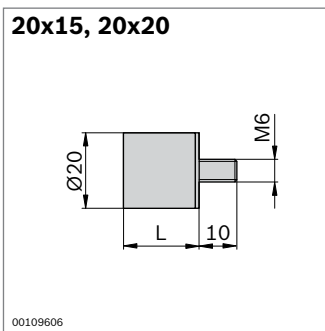
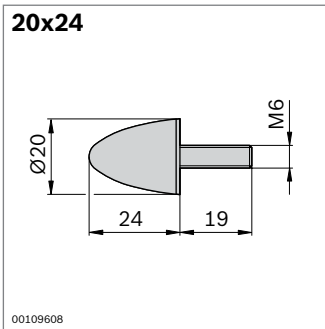
- For damping impact and noise on doors, flaps, and covers

Accessories:  
nut, T-nut M6 (p. 3-4)

### Handle bar

- Can be used, for example, on covers, drawers, or doors
- Machining: drilled holes for fixing

Required accessories:  
Fastening material



Bump stop		No.
20x24	10	3 842 510 165

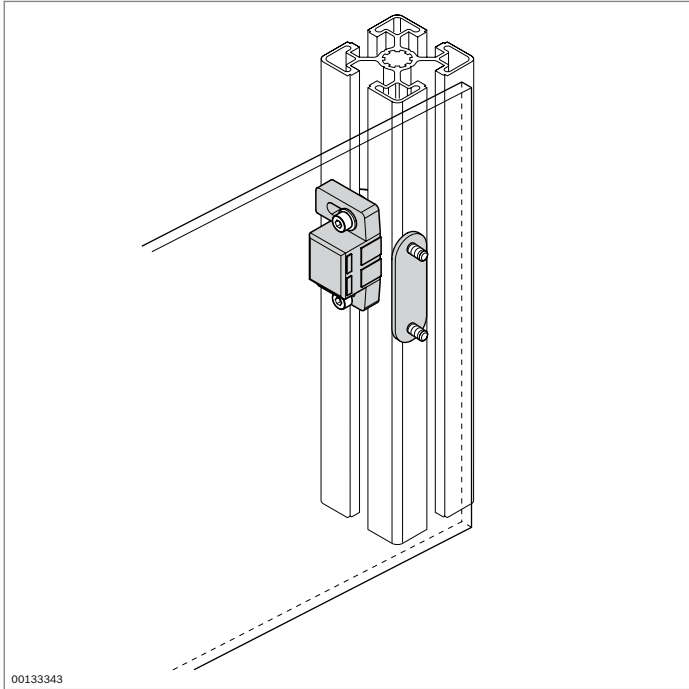
Material: rubber, hardness 55° shore A

Bump stop	L (mm)		No.
20x15	15	10	3 842 510 464
20x20	20	10	3 842 510 462

Material: rubber, hardness 55° shore A

Handle bar	L (mm)		No.
	50...3000	1	3 842 990 111 / L
	3000	10	3 842 500 287

Material: aluminum, anodized

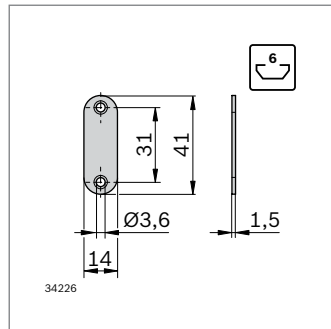
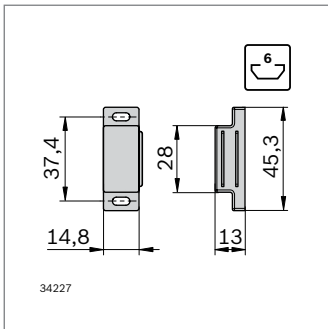


### Magnet catch



- ▶ The magnet catch prevents doors and flaps from banging or being unintentionally opened
- ▶ Elongated holes to compensate for different surface element thicknesses

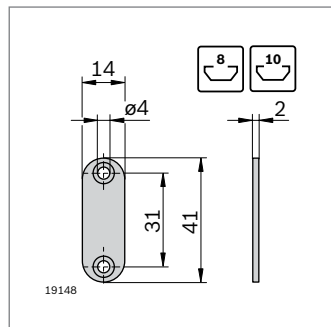
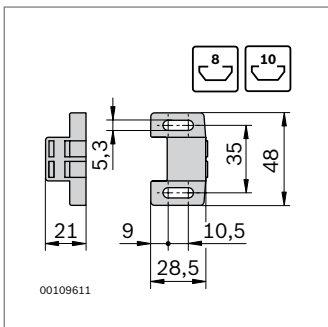
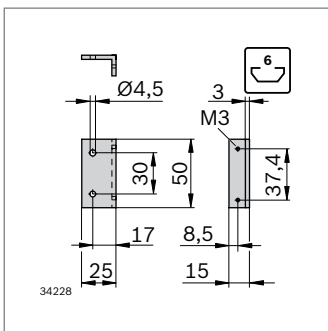
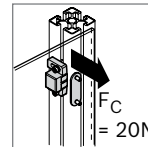
Accessories:  
cylinder bolt ISO 4762, washer, T-nut (p. 3-4)



Magnet catch	Slot	No.	FS
	6	<b>3 842 558 323</b>	2xFS1

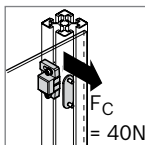
Material: PP, white / steel, galvanized  
Scope of delivery: incl. counterpiece, bracket, fastening material (FS)

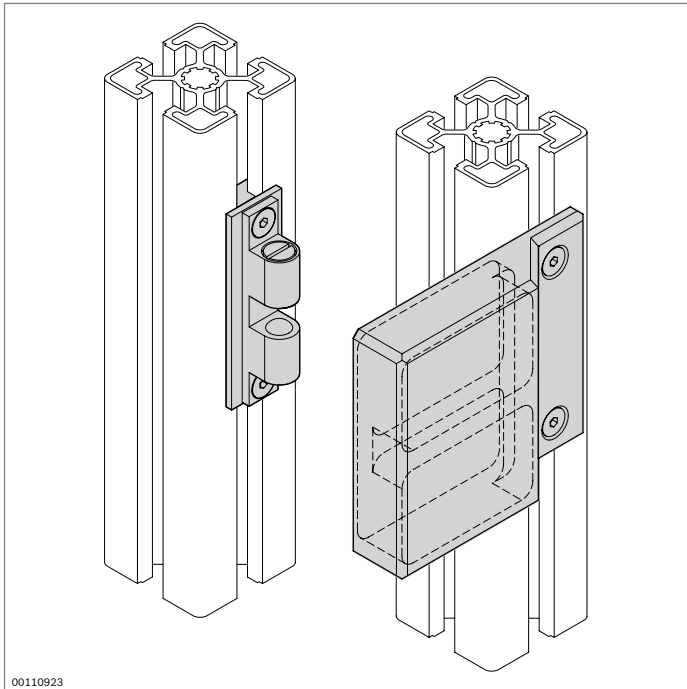
**FS1**  
 ISO 4762  
 M3x8  
 DIN  
 ISO 7089-3



Magnet catch	Slot	No.
	8, 10	<b>3 842 516 165</b>

Material: PA; black steel; galvanized  
Scope of delivery: incl. counterpiece





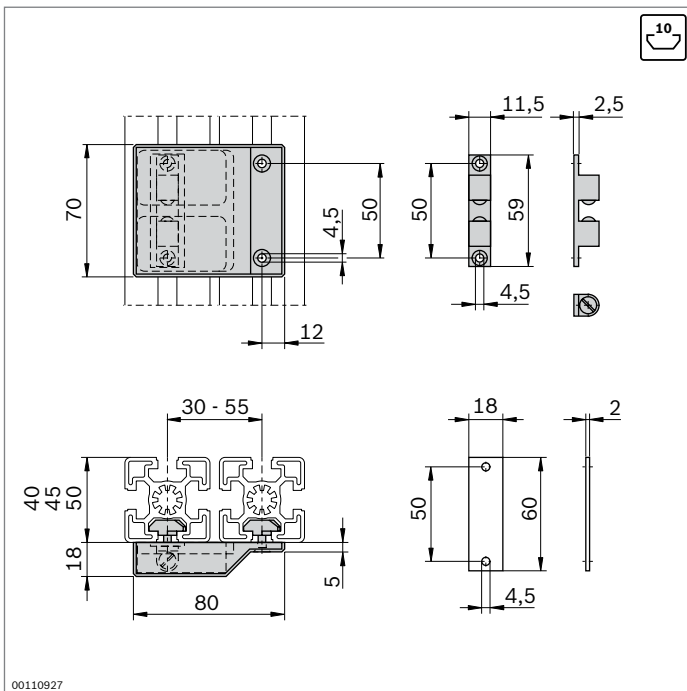
00110923

## Double ball stop latch



- ▶ For arresting doors made of profile frames and for bridging door gaps
- ▶ Suitable for profiles with modular dimensions 40 mm, 45 mm, and 50 mm
- ▶ Locking also possible with varying profile spacing

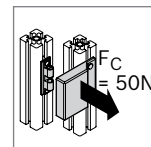
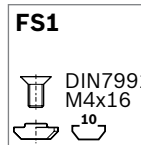
9

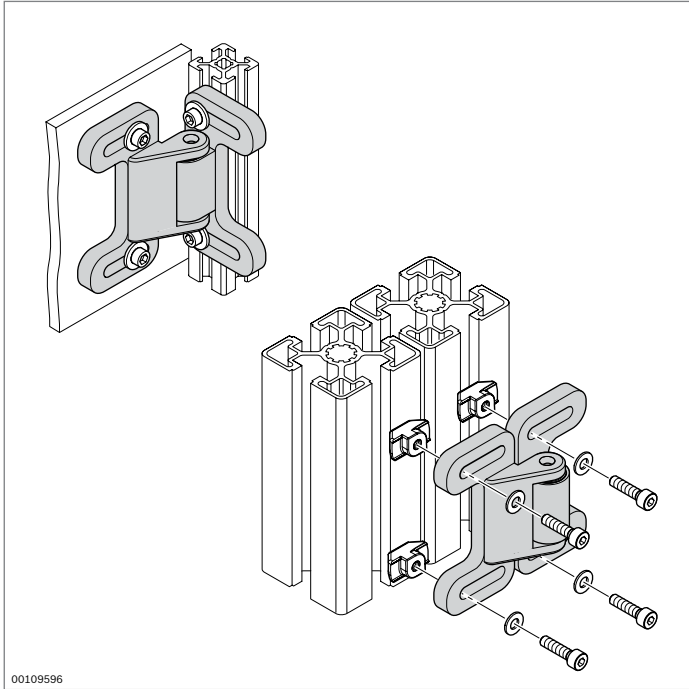


00110927

Double ball stop latch	Slot	No.	FS
	10	3 842 530 241	4xFS1

Material: aluminum, black anodized  
 Scope of delivery: incl. fastening material (FS)





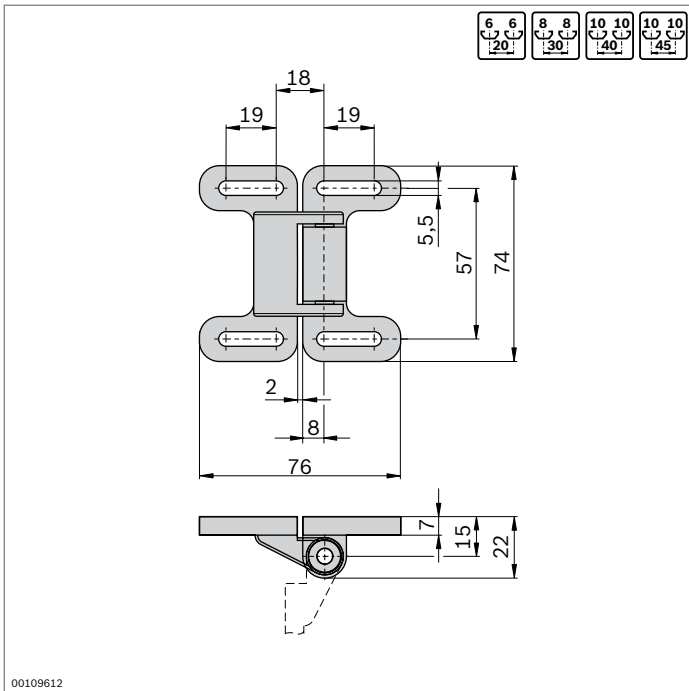
### Ball catch



- ▶ Ball catch for doors and flaps
- ▶ For sliding and swing doors
- ▶ For doors with or without frames
- ▶ Elongated hole to adjust for differing spacing
- ▶ Can be used under cleanroom conditions

Accessories:

Cap screw ISO 4762, washer,  
T-nut (p. 3-4)



**Ball catch**

**ESD**



**No.**



10

**3 842 524 986**

Material:

PA; black, conductive

00109612

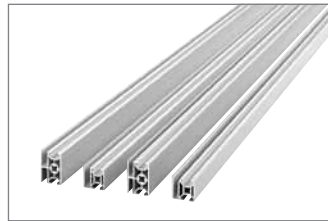


# Protective devices and partition walls

## EcoSafe



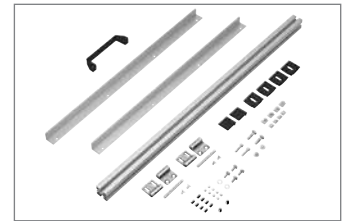
EcoSafe protective frame  
(p. 10-6)



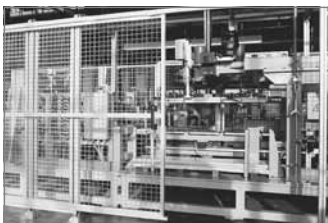
Protective grille profile  
(p. 10-8)



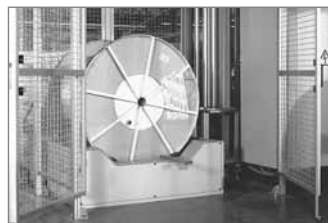
Suspension bracket,  
attachment kit (p. 10-10)  
Tilt lever (p. 10-11)



EcoSafe system door kit  
(p. 10-12)



EcoSafe sliding door with/  
without superstructure  
(p. 10-14)



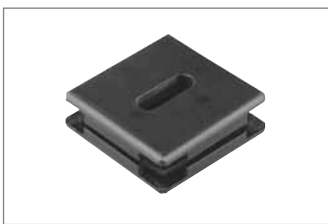
EcoSafe double door kit  
(p. 10-16)



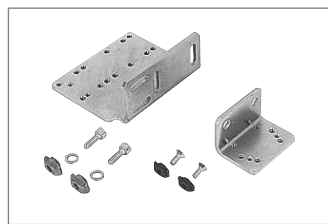
Lock mechanism for double  
door (p. 10-17)



Ground terminal (p. 10-18)



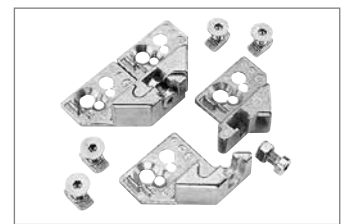
Clamping element (p. 10-19)



Attachment kit for safety  
switch (p. 10-20)



Spring clamping element  
(p. 10-21)



Suspension piece for frame  
(p. 10-22)

Eliminate safety risks in manufacturing and production by using the components for Rexroth protective devices. The EcoSafe protective fence components can be used flexibly and enable the current standards and guidelines to be complied with.

Pre-assembled protective frames, door kits, and a well thought-out overall product range ensure fast planning as well as economical and practical implementation. Individual protective devices such as enclosures and

additional attachments can be created using the tried and tested basic mechanical elements. These two systems are mutually compatible. Rexroth therefore offers a comprehensive, overall solution for all requirements.

# Compliance with standards

## **DIN EN ISO 12100 – Safety of machinery and plant**

- The safety fence must be designed so that it can only be opened with the aid of, or by destroying, the fastenings.
- The actual design requires a risk assessment to be carried out according to DIN EN ISO 12100-1 in every case

## **DIN EN 953 – General design and construction requirements**

- Rigidity, impact resistance, strength & durability of connection points etc.

## **DIN EN ISO 13857**

- Safety distances to prevent hazard zones being reached by upper and lower limbs

## **DIN EN ISO 14120**

- Safety of machinery – Guards – General requirements for the design and construction of fixed and movable guards
- Rexroth protective frame tested according to pendulum test Appendix C and passed

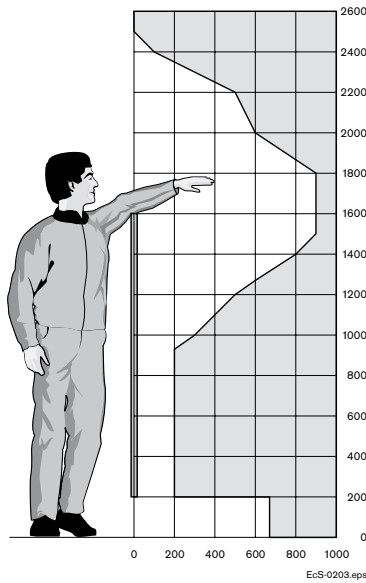
## **Machinery Directive 2006/42/EC**

Excerpt from the requirements that apply to protective devices:

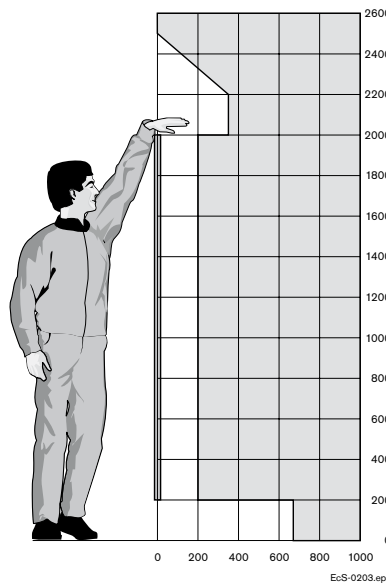
- must be solidly built
- must be securely held in position
- must not cause any additional hazards
- must not be able to be easily circumvented or rendered ineffective
- fastenings must only be able to be undone or removed with the aid of tools
- once the protective devices have been removed, fastenings must remain attached or fastened to the protective devices or the machine



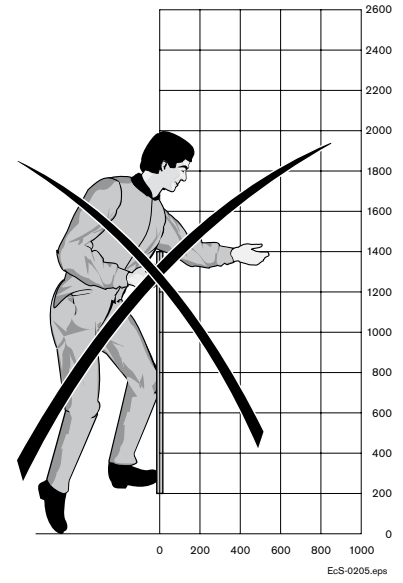
**Safety distances**



H = 1600 mm



H = 2000 mm

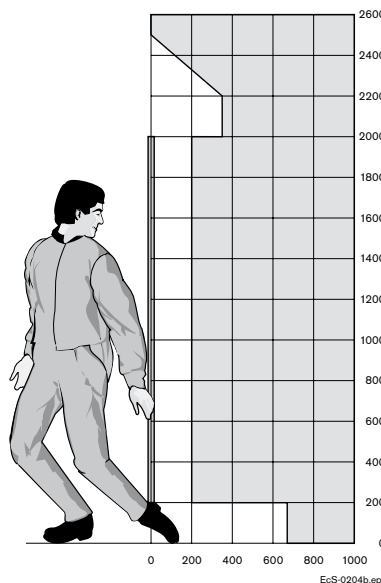
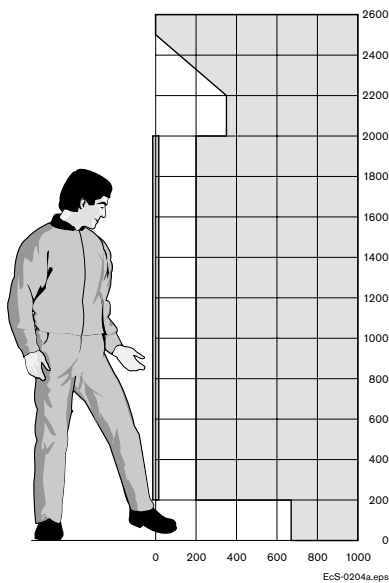


H = 1400 mm

The safety distances depend on the height of the protective device and the openings in the protective grille. If woven wire grilles with a mesh width of 40x40 are used, only a safety distance of 200 mm from the hazard area is required. The standard fence height of 2000 mm provides adequate protection in conjunction with a relatively small safety

distance. The graphics show a profile with the safety distances for 2 different system heights (DIN EN 13857). Protective fences of under 1400 mm in height do not provide adequate protection for personnel.

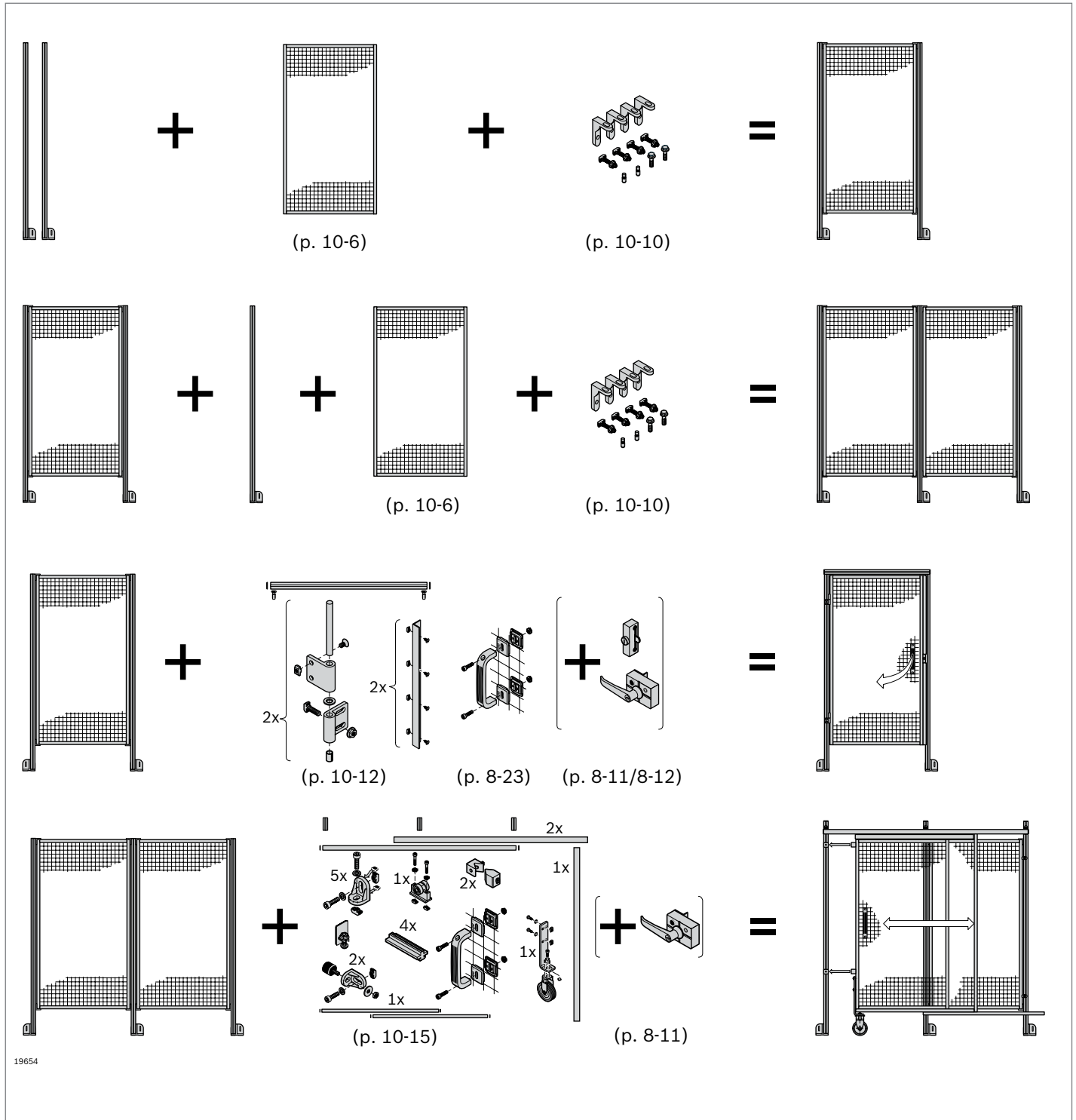
**Safety distances where there is 200 mm ground clearance**



The standard distance between the protective frame and the ground is 200 mm. This gives a distance from the hazard area of 665 mm. According to the standard, openings that

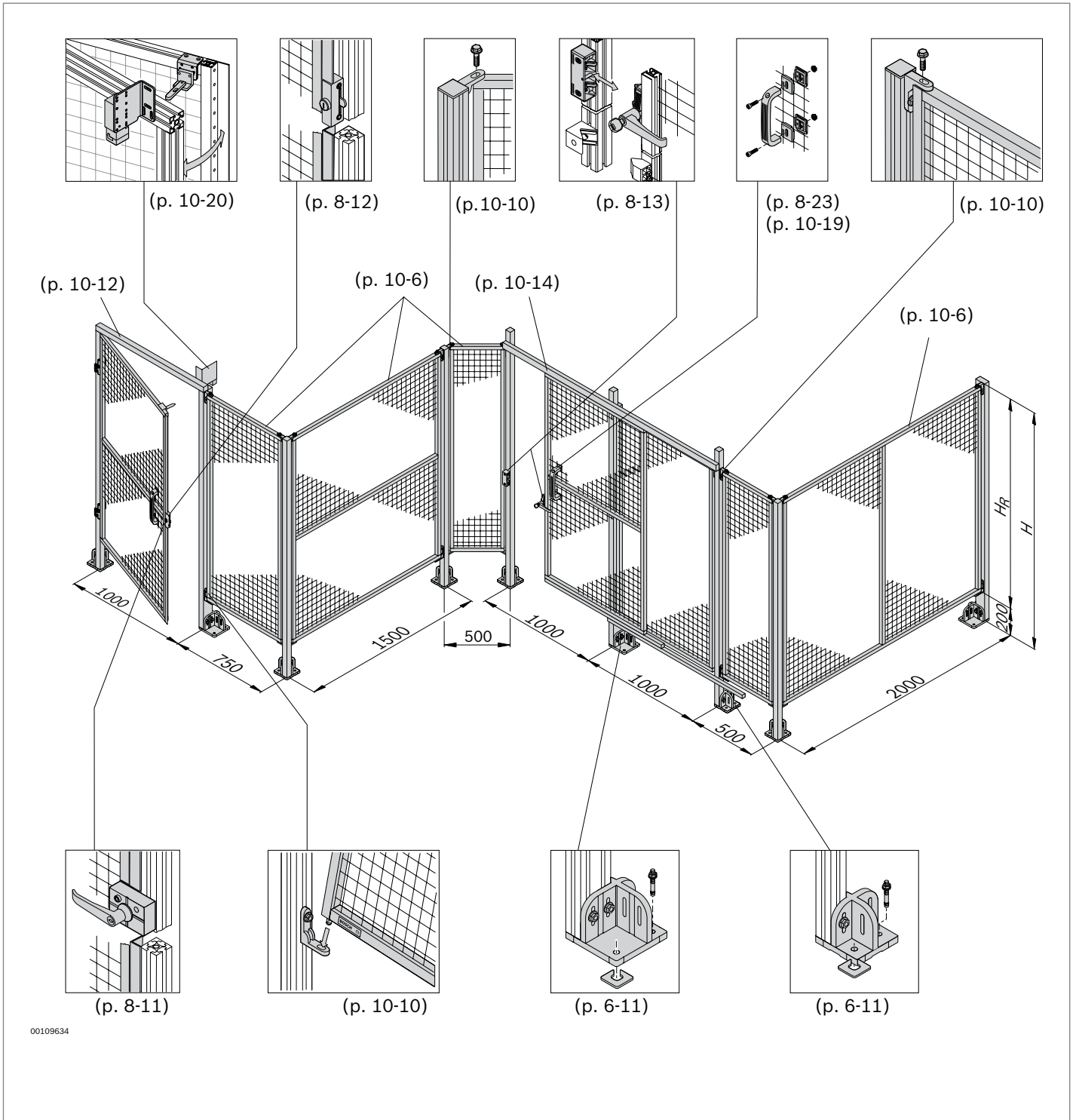
are larger than 180 mm allow the whole body to fit through. Depending on the customer's requirements, the distance from the ground may have to be reduced to < 180 mm.

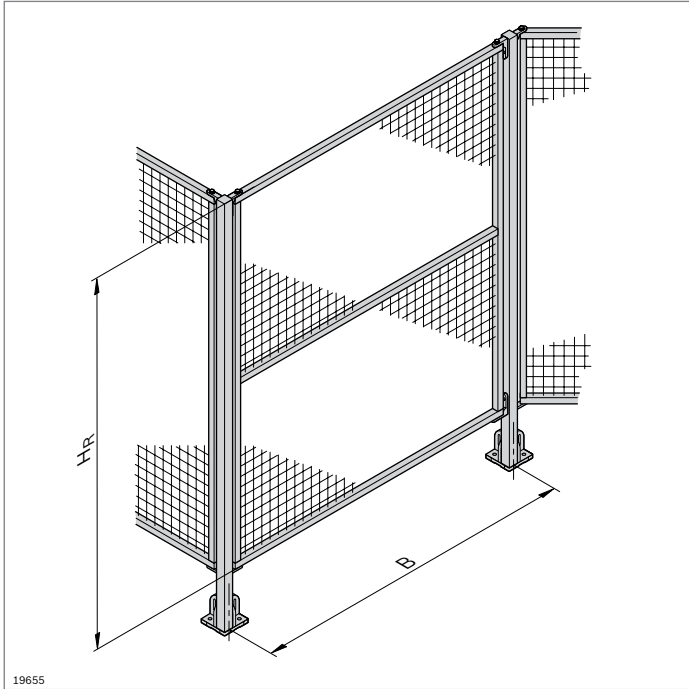
EcoSafe components for building protective fences



19654

### EcoSafe components for building protective fences

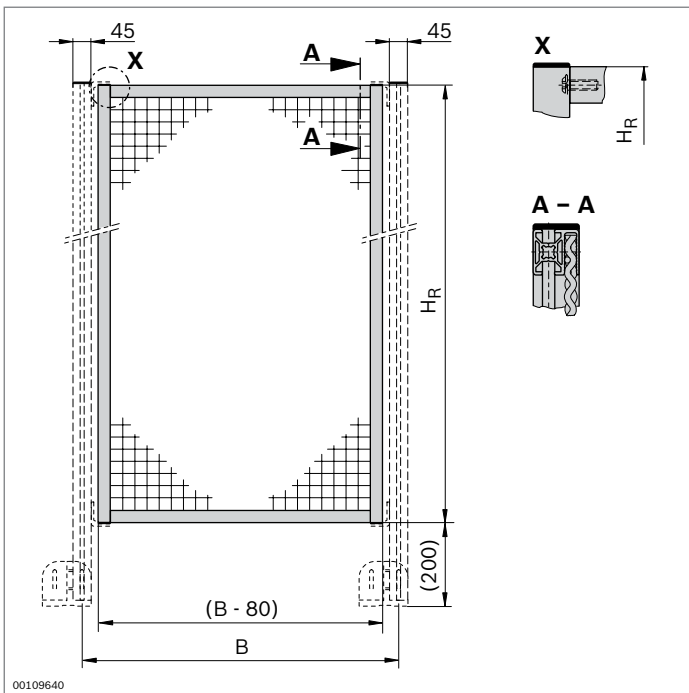




### EcoSafe protective frame

- ▶ Protective frame made of protective grille profile 30x30 WG40 (p. 10-7) with woven wire grille 40x40x4
- ▶ Suitable kits enable the construction of doors (system doors, sliding doors, double doors)
- ▶ Fully assembled on delivery
- ▶ Simple mounting on the supports using the suspension brackets. Single fitter is sufficient
- ▶ Standard widths or customized dimensions
- ▶ Horizontally or vertically divided protective frames provide additional stability for large surfaces
- ▶ Color-coated woven wire grilles improve visual contrast in the protected area and facilitate recognition of access routes and emergency exit routes
- ▶ Modular dimension “B” relates to 45x45 supports

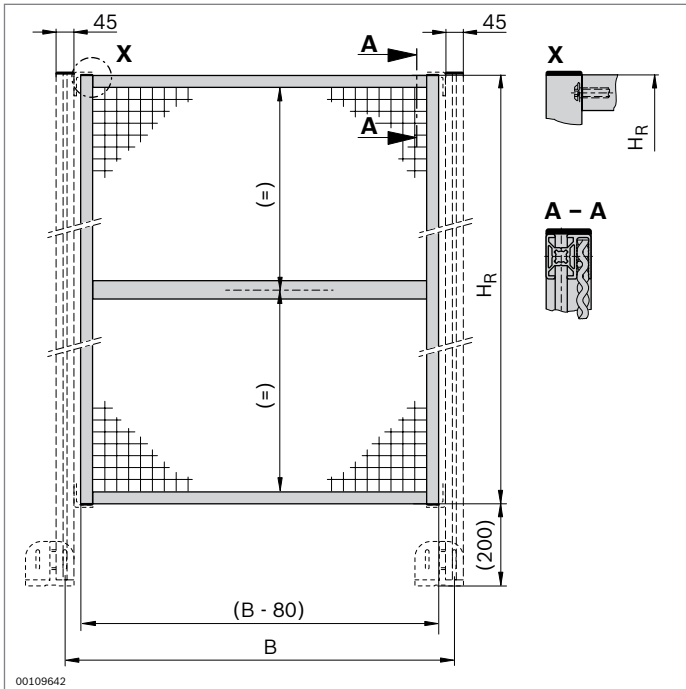
Technical data (p. 19-11)



Protective frame	H <sub>R</sub> (mm)	B (mm)	No.
	1800	500	<b>3 842 554 282</b>
		750	<b>3 842 554 283</b>
		1000	<b>3 842 554 284</b>
		1500	<b>3 842 554 285</b>
250...2300		250...1500	<b>3 842 994 742 / H<sub>R</sub>, B, FA</b>

Material: Frame: aluminum, anodized  
Woven wire grille: steel, hot-galvanized

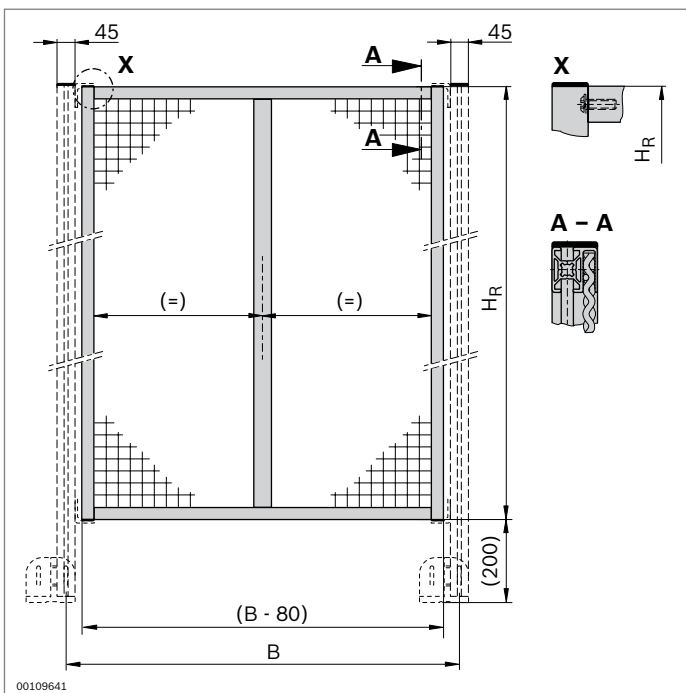
Color of woven wire grille: FA = 0: hot-galvanized  
FA = 1: black; RAL 9005 (e.g. for fence)  
FA = 2: yellow; RAL 1023 (e.g. for doors)



Protective frame, in horizontal sections	H <sub>R</sub> (mm)	B (mm)	No.
	1800	1000	<b>3 842 554 281</b>
	500...2300	250...2500	<b>3 842 994 745 / H<sub>R</sub>, B, FA</b>

Material: Frame: aluminum, anodized  
Woven wire grille: steel, hot-galvanized

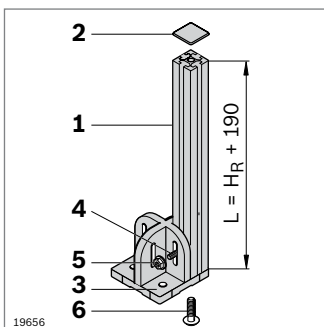
Color of woven wire grille:  
FA = 0: hot-galvanized  
FA = 1: black; RAL 9005 (e.g. for fence)  
FA = 2: yellow; RAL 1023 (e.g. for doors)



Protective fence, vertical sections	H <sub>R</sub> (mm)	B (mm)	No.
	1800	2000	<b>3 842 554 280</b>
	250...2300	500...3000	<b>3 842 994 744 / H<sub>R</sub>, B, FA</b>

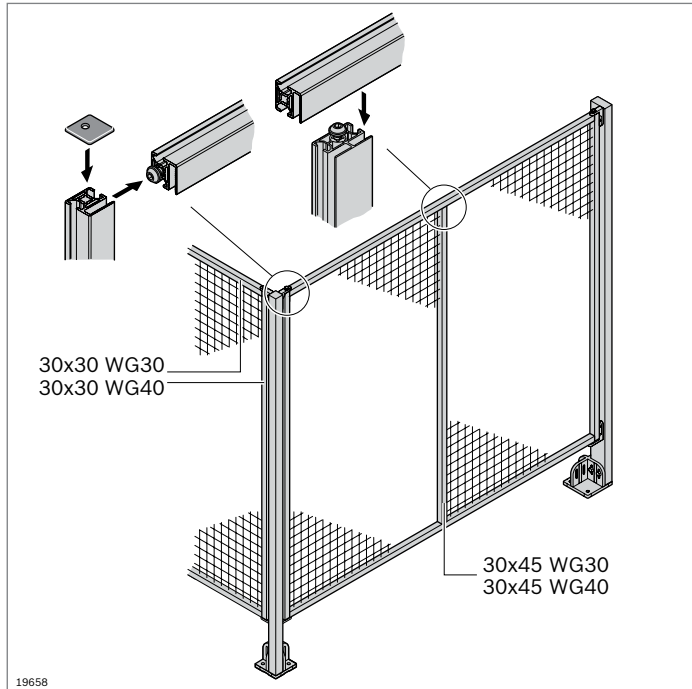
Material: Frame: aluminum, anodized  
Woven wire grille: steel, hot-galvanized

Color of woven wire grille:  
FA = 0: hot-galvanized  
FA = 1: black; RAL 9005 (e.g. for fence)  
FA = 2: yellow; RAL 1023 (e.g. for doors)



#### Individually construct the supports using MGE components

Component	No.	Qty.	Page
<b>1</b> Profile 45x45L	<b>3 842 992 425 / L</b>	1	2-36
<b>2</b> Cover cap	<b>3 842 548 753</b>	1	2-36
<b>3</b> Base plate, 120x120	<b>3 842 527 553</b>	1	6-11
<b>4</b> T-bolt M8x30	<b>3 842 528 721</b>	2	3-6
<b>5</b> Flange nut M8	<b>3 842 345 081</b>	2	3-6
<b>6</b> Central bolt S12x30-T50	<b>3 842 530 236</b>	1	3-40



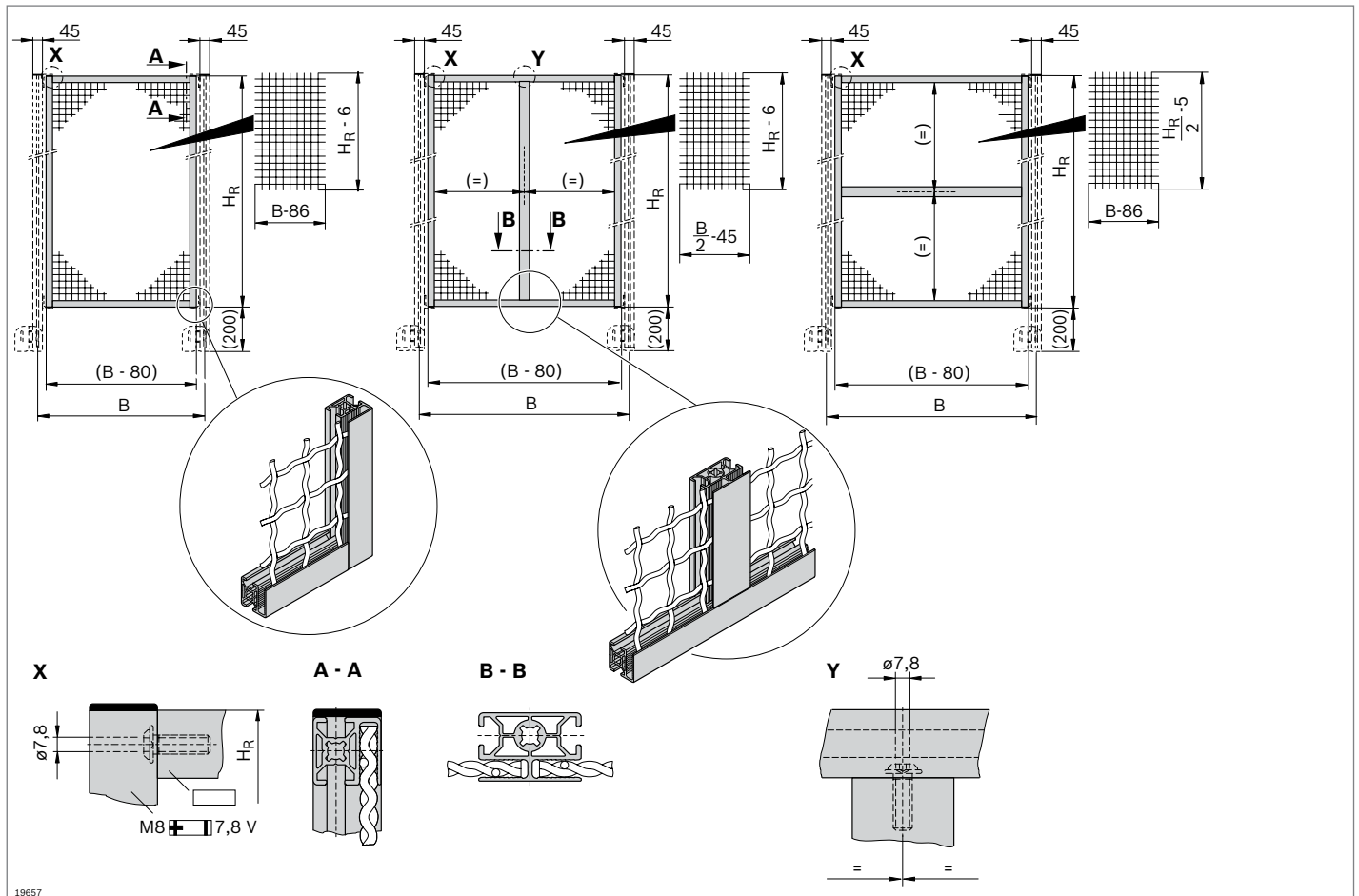
### Protective grille profiles

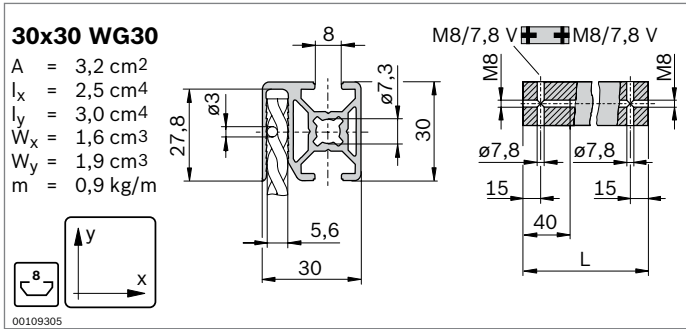


- ▶ For the low-cost construction of protective barriers with woven wire grilles WG30 and WG40
- ▶ Fastening of woven wire grilles: directly in the special profile slot
- ▶ Fastening of surface elements: in the special profile slot using spring clamping elements (accessories)
- ▶ The profiles are connected using a central bolt (profile finishing required)
- ▶ Modular dimension "B" relates to 45x45 supports

#### Required accessories:

- ▶ Central bolt (p. 3-40)
- ▶ Woven wire grille (p. 10-6)
- ▶ Spring clamping elements (p. 10-21)

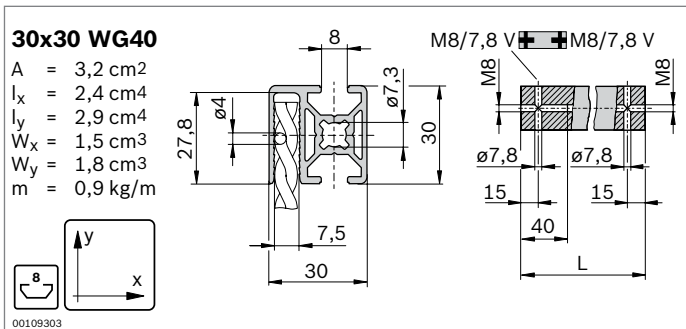




Protective grille profile		L (mm)	No.
<b>30x30 WG30</b>			

1 pcs		100 ... 5600	<b>3 842 992 970 / L</b>
1 pcs	M8/7,8V	100 ... 5600	<b>3 842 992 977 / L</b>
20 pcs		5600	<b>3 842 522 462</b>

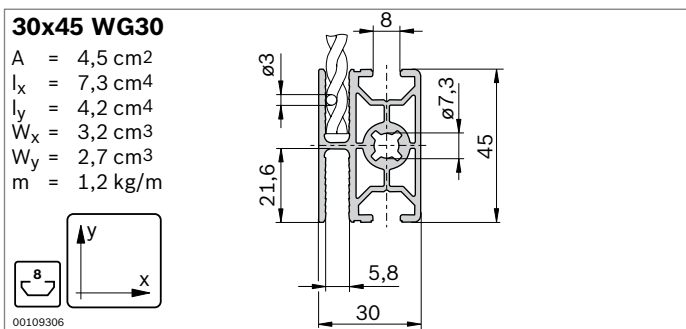
Material: aluminum, anodized



Protective grille profile		L (mm)	No.
<b>30x30 WG40</b>			

1 pcs		100 ... 5600	<b>3 842 992 972 / L</b>
1 pcs	M8/7,8V	100 ... 5600	<b>3 842 992 978 / L</b>
20 pcs		5600	<b>3 842 522 464</b>

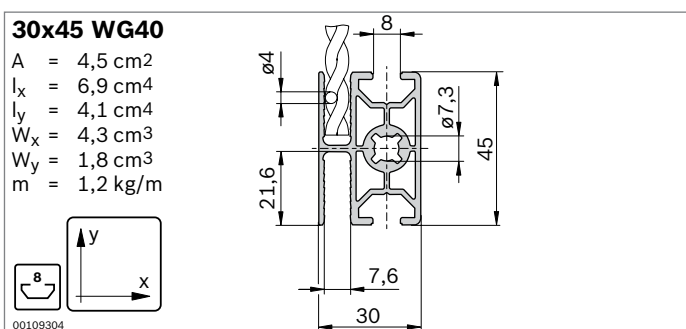
Material: aluminum, anodized



Protective grille profile		L (mm)	No.
<b>30x45 WG30</b>			

1 pcs		100 ... 5600	<b>3 842 992 971 / L</b>
20 pcs		5600	<b>3 842 522 463</b>

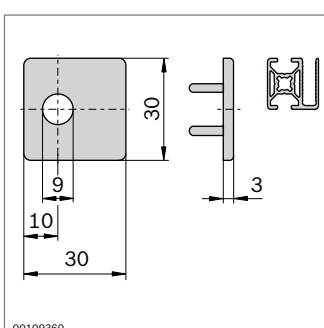
Material: aluminum, anodized



Protective grille profile		L (mm)	No.
<b>30x45 WG40</b>			

1 pcs		100 ... 5600	<b>3 842 992 973 / L</b>
20 pcs		5600	<b>3 842 522 465</b>

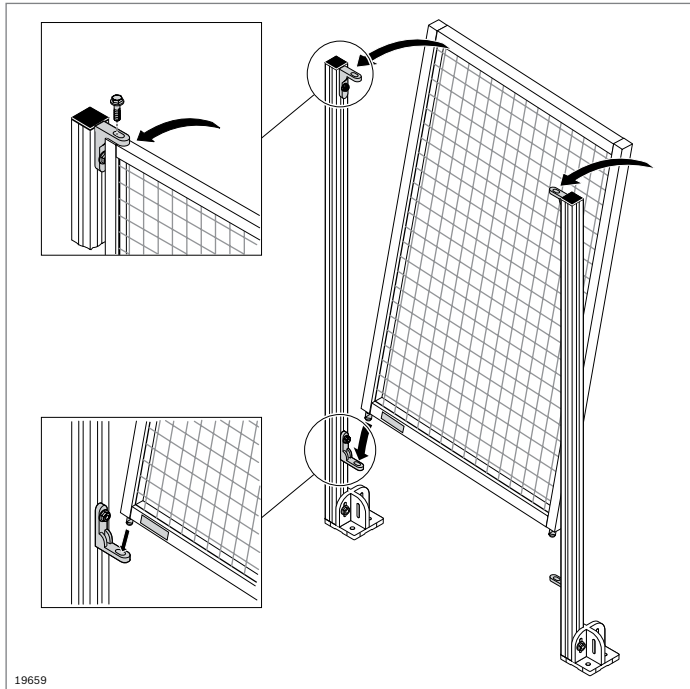
Material: aluminum, anodized



► Cover cap for a more attractive appearance and to prevent injuries

Cover cap	Color	No.
<b>30x30</b>	Signal gray	20 <b>3 842 555 134</b>
<b>30x30</b>	Black	100 <b>3 842 522 345</b>

Material: PP, signal gray  
PA; black



## Suspension bracket Safety Strip safety kit

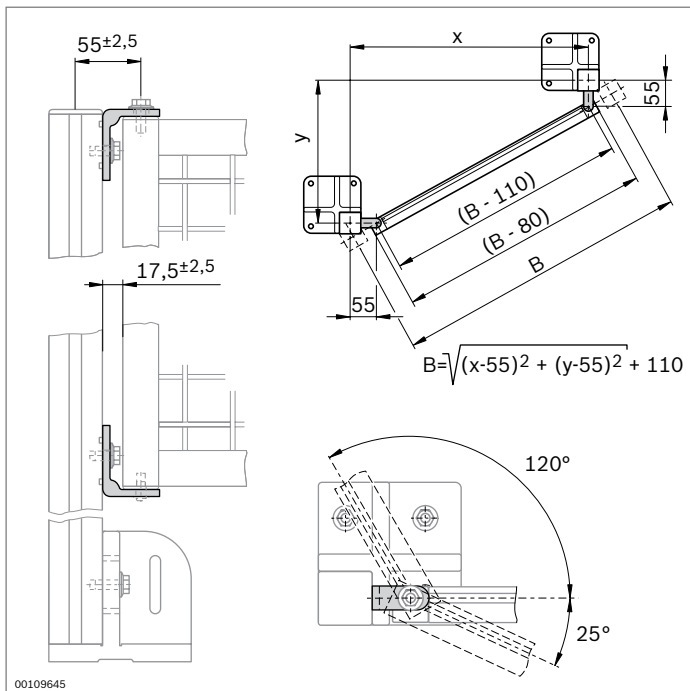


### Suspension bracket

- ▶ For mounting the EcoSafe protective frame on the support at various angles
- ▶ Suspension bracket with centering lugs as anti-torsion element

### Safety Strip safety kit

- ▶ Safe and inexpensive
- ▶ Easy assembly; can be retrofitted
- ▶ Patented
- ▶ Meets the requirements of Machinery Directive 2006/42/EC Screw remains connected to the suspension bracket after loosening

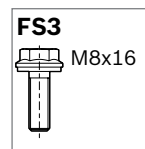
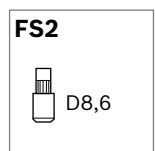
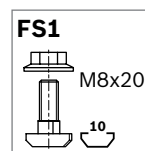
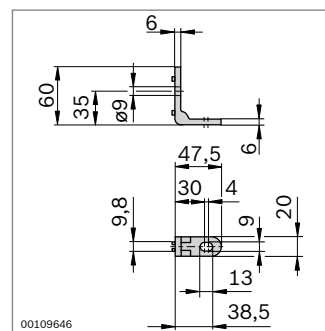


Suspension bracket	No.	FS
<b>Set</b>	<b>3 842 522 481</b>	4xFS1, 2xFS2, 2xFS3

Material: diecast zinc

Fastening material: steel; galvanized

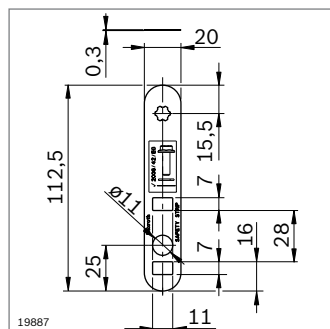
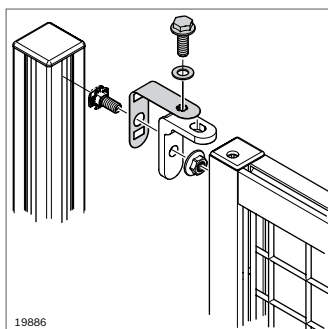
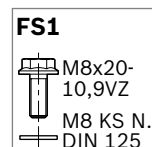
Scope of delivery: In a set with four brackets, incl. fastening material (FS)



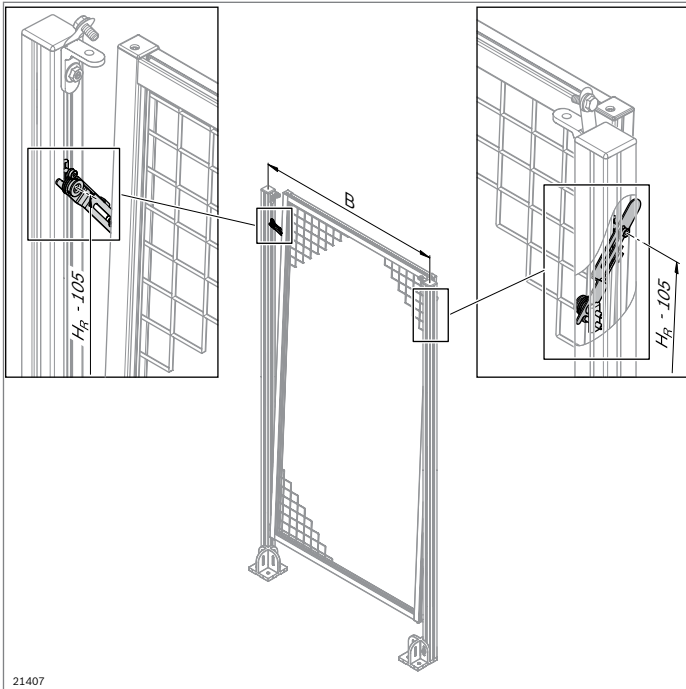
Safety strip safety kit	No.	FS
	10	<b>3 842 542 146</b> FS1

Material: PP granulate

Scope of delivery: incl. fastening material (FS)



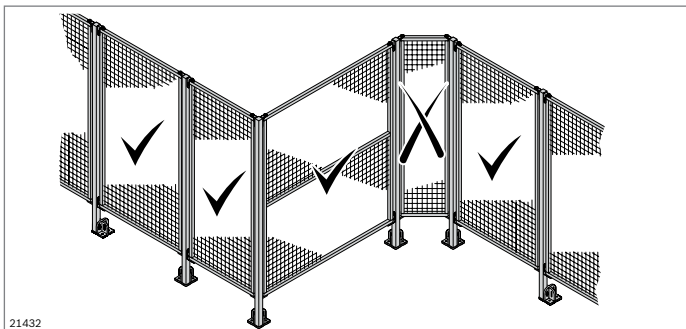




21407

### Tilt lever

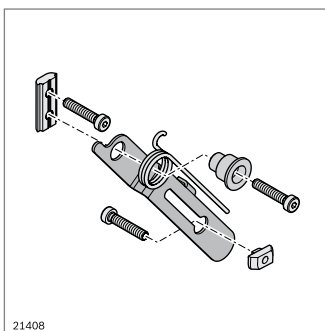
- ▶ For compliance with the requirement in Machinery Directive 2006/42/EC relating to the detaching of protective frames
  - The long-arm spring is designed so that it tilts the protective frame outwards, making it clear that the protective frame is detached
  - The protective frame cannot fall out
- ▶ Easily removable EcoSafe protective frames
- ▶ Can be retrofitted
- ▶ Installation on both sides recommended for EcoSafe protective frames of width  $B > 1500$  mm



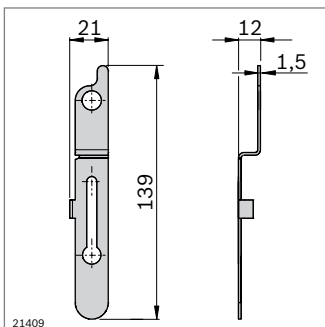
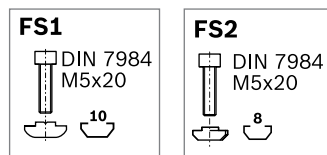
21432

Possible installation situation:

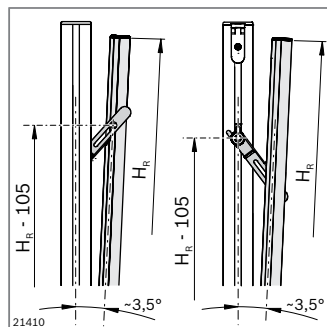
- ▶ not suitable for installing the protective frame across a corner



21408



21409

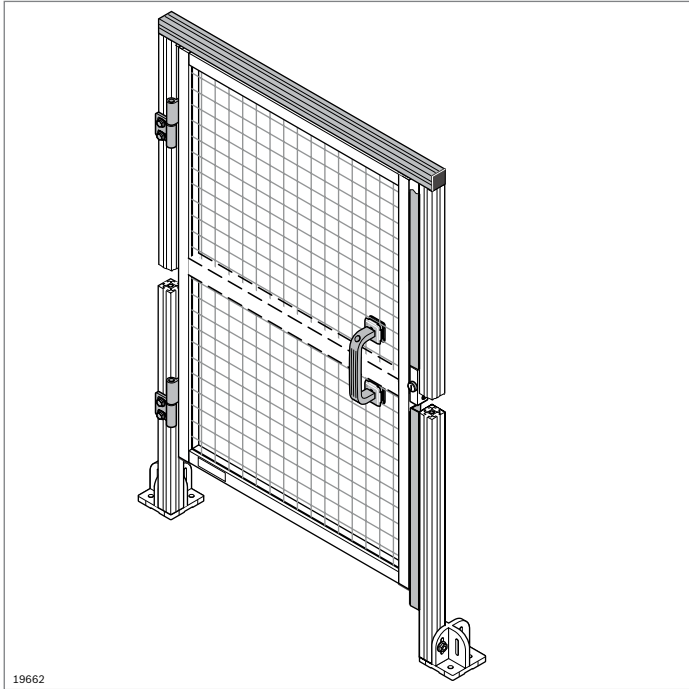


21410

Tilt lever	No.	FS
	<b>3 842 546 560</b>	<b>FS1, FS2</b>

Material: Fixing plate: Stainless steel  
 Spacer: aluminum  
 Long-arm spring: spring steel

Scope of delivery: holding plate, spacer, long-arm spring, fastening material (FS)

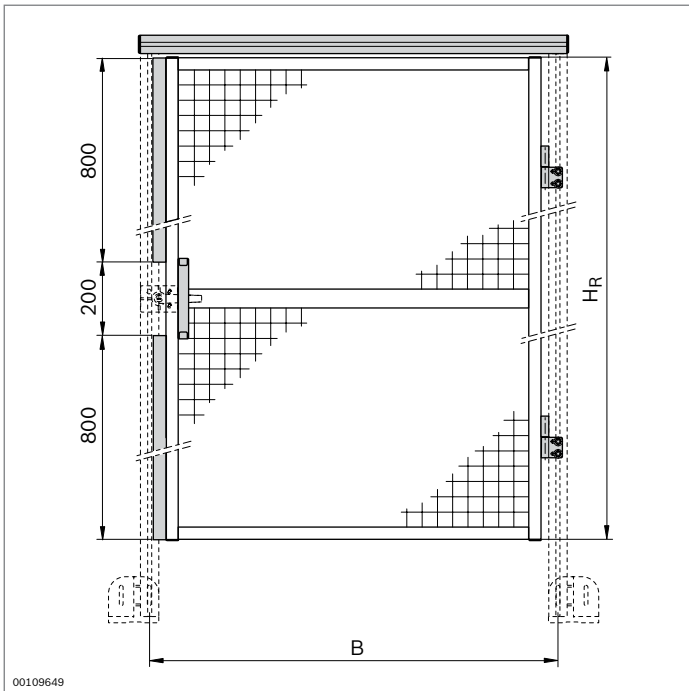


### EcoSafe system door kit

- ▶ For constructing an EcoSafe system door in the modular dimension system
- ▶ Use of finished protective frame as a door
- ▶ For doors that open to the left or right
- ▶ Required components:
  - assembly kit for system door
  - protective frame (p. 10-6)

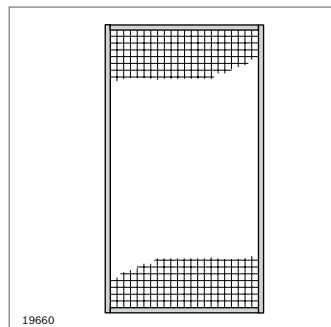
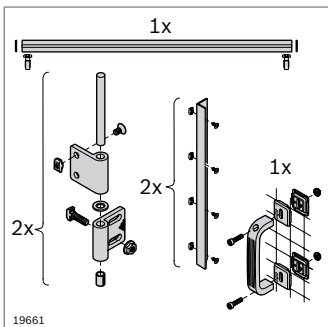
Optional accessories:

- ▶ door lock (p. 8-12)
- ▶ Attachment kit for safety switch (p. 10-20)



Assembly kit for system door	H <sub>R</sub> (mm)	B (mm)	No.
	1800	1000	<b>3 842 523 166</b>
	1800	750	<b>3 842 523 165</b>

Scope of delivery: 2 x hinge, 2 x stop rail, profile as door lintel, bow-shaped handle, incl. fastening material

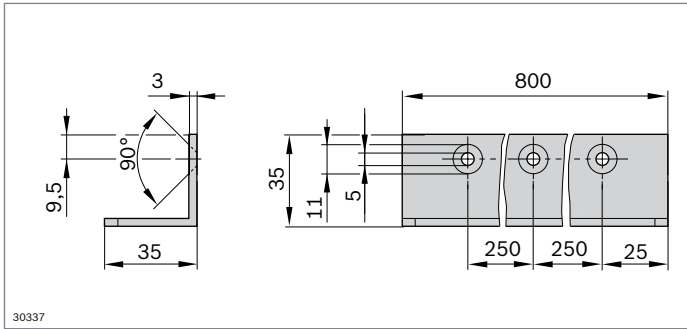


### Selection of suitable protective frames

Protective frame	H <sub>R</sub> (mm)	B (mm)	No.
<b>Protective frame, in horizontal sections</b>	1800	1000	<b>3 842 554 281</b>
<b>Protective frame</b>	1800	750	<b>3 842 554 283</b>

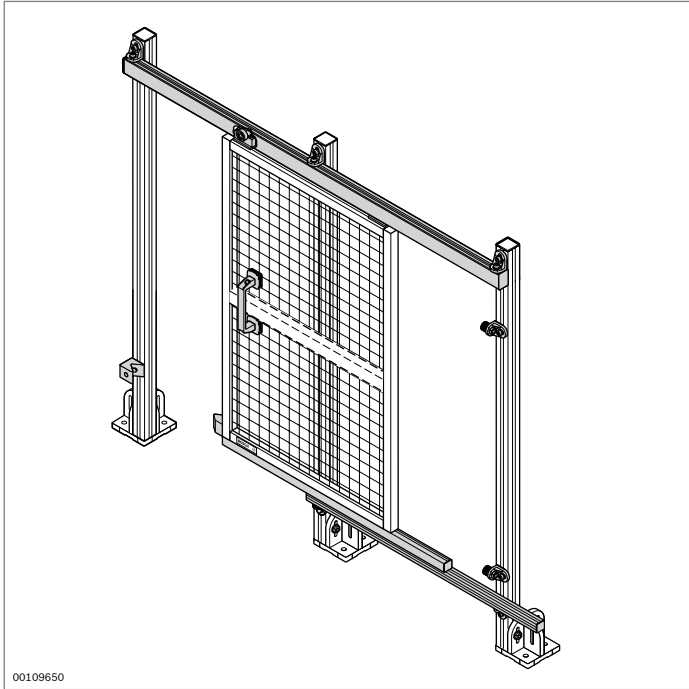
Material: aluminum, anodized; woven wire grille and fastening material: steel; galvanized

Scope of delivery: fully assembled



► System door stop rail for self-assembly

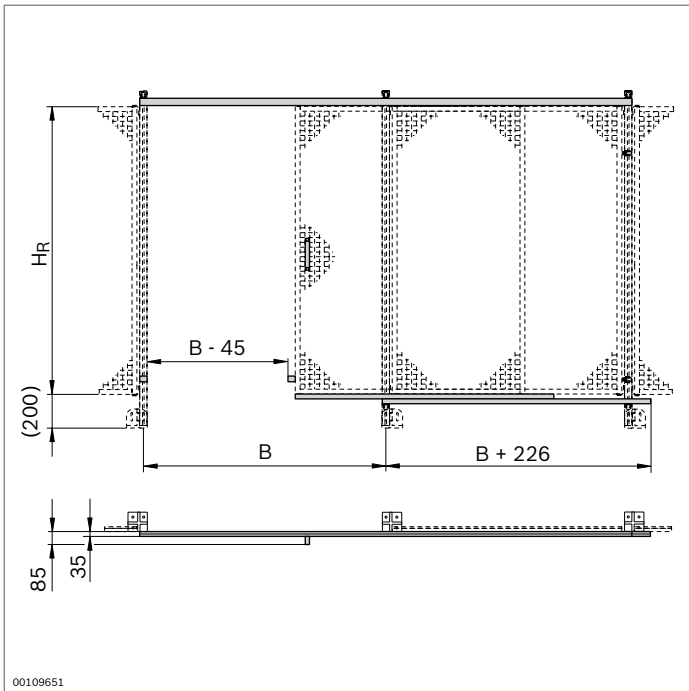
Stop rail	No.
	3 842 523 170



### EcoSafe assembly kit for sliding door with superstructure

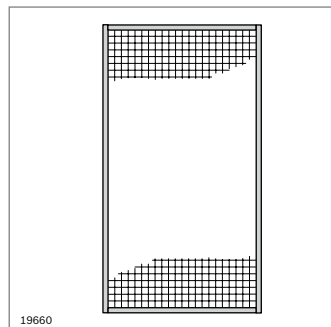
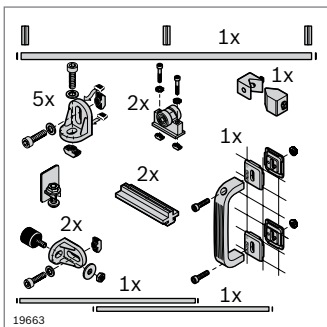
- ▶ Assembly kit for constructing an EcoSafe sliding door with superstructure in the modular dimension system
- ▶ Use of finished protective frame as a door
- ▶ Easy subsequent installation in a protective fence
- ▶ Rollers with ball bearings for smooth running
- ▶ For doors that open to the left or right
- ▶ Required components:
  - assembly kit for sliding door with superstructure
  - protective frame (p. 10-6)

Optional accessories:  
door lock (p. 8-11/8-13)



Assembly kit for sliding door with superstructure	H <sub>R</sub> (mm)	B (mm)	No.
	1800	1000	<b>3 842 524 163</b>
	1800	1500	<b>3 842 524 164</b>

Scope of delivery: 2 x bump stop, 2 x slider, 2 x trolley, profile for door superstructure, 7 x mounting bracket, stop kit, 2 x profile for sliding door

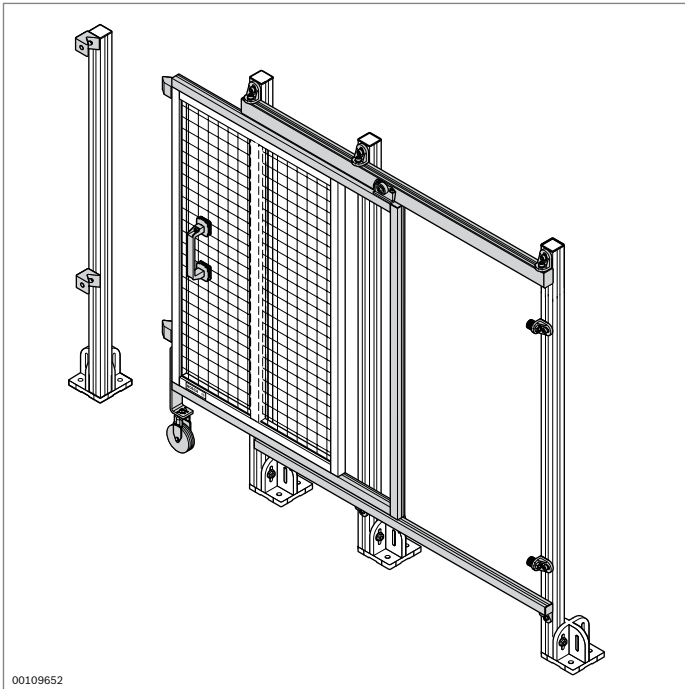


### Selection of suitable protective frames

Protective frame	H <sub>R</sub> (mm)	B (mm)	No.
	1800	1000	<b>3 842 554 284</b>
	1800	1500	<b>3 842 554 285</b>

Material: aluminum, anodized; woven wire grille and fastening material: steel; galvanized

Scope of delivery: fully assembled

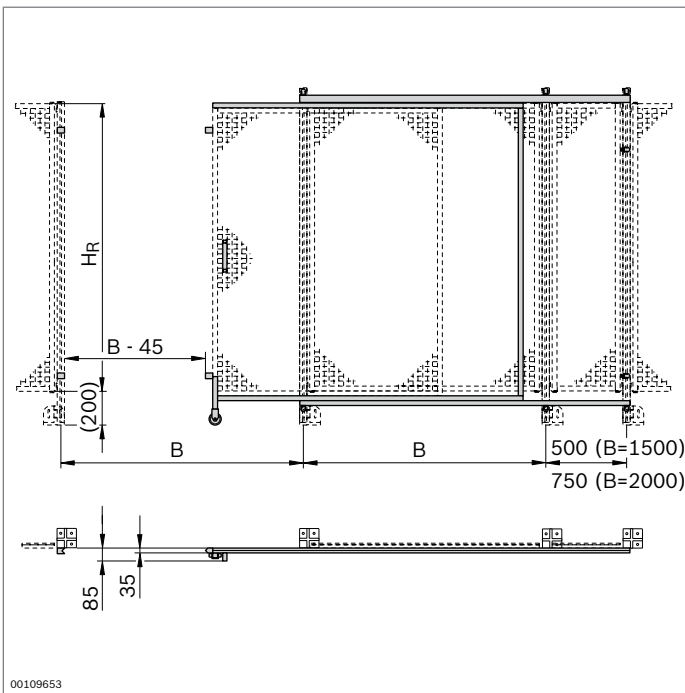


00109652

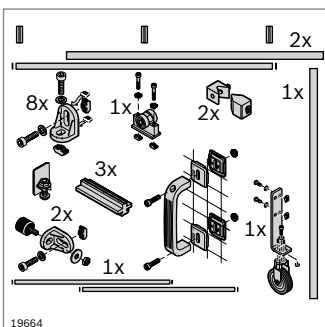
### EcoSafe sliding door without superstructure

- ▶ Assembly kit for constructing an EcoSafe sliding door without superstructure in the modular dimension system
- ▶ Use of finished protective frame as a door
- ▶ Rollers with ball bearings for smooth running
- ▶ For doors that open to the left or right
- ▶ Required components:
  - assembly kit for sliding door without superstructure
  - protective frame (p. 10-6)
- ▶ Also available with leg sets with 45x90L profiles for more stability

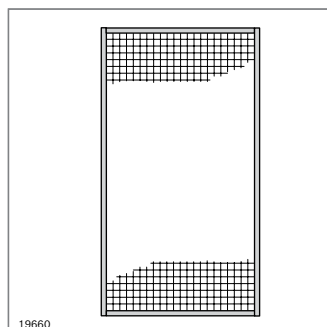
Optional accessories:  
door lock (p. 8-11/8-13)



00109653



19664



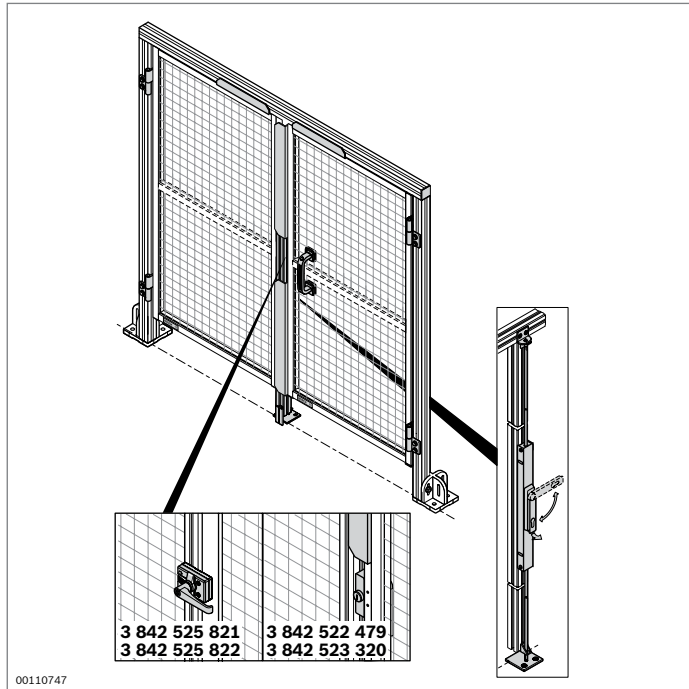
19660

### Selection of suitable protective frames

Protective frame	H <sub>R</sub> (mm)	B (mm)	No.
Protective frame	1800	1500	<b>3 842 554 285</b>
Protective fence, vertical sections	1800	2000	<b>3 842 554 280</b>

Material: aluminum, anodized; woven wire grille and fastening material: steel; galvanized

Scope of delivery: fully assembled

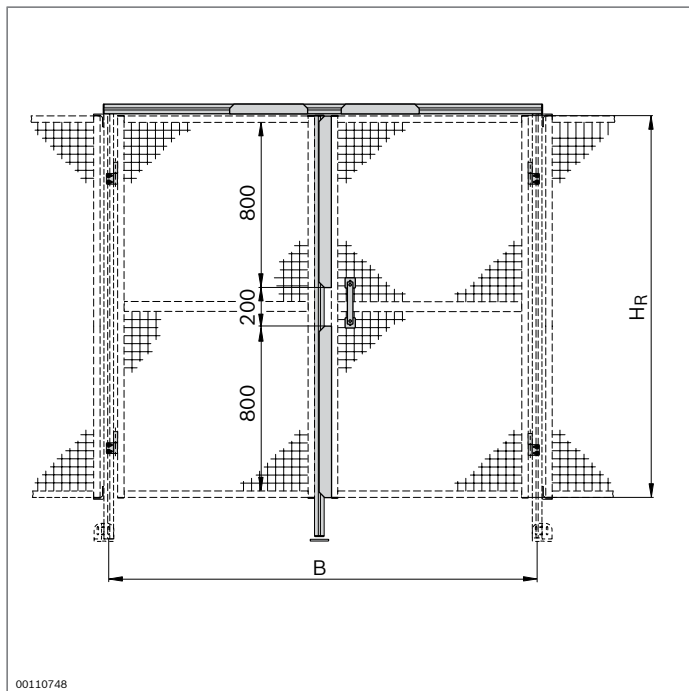


### EcoSafe double door kit

- ▶ Assembly kit for constructing an EcoSafe double door in the modular dimension system
- ▶ Use of finished protective frame as a door
- ▶ Easy subsequent installation in a protective fence
- ▶ Optional installation of a standard lock cylinder in the lock mechanism for the double door
- ▶ Required components:
  - double door assembly kit
  - two protective frames (p. 10-6)

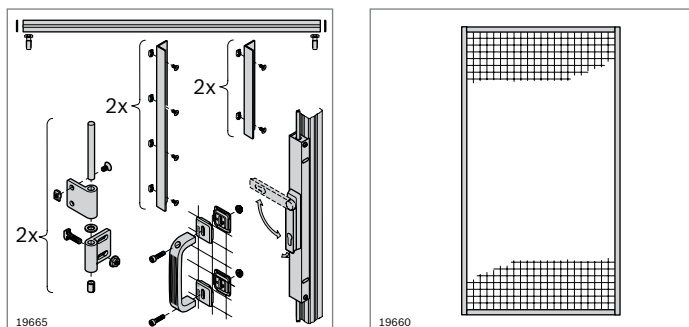
#### Optional accessories:

- ▶ door lock (p. 8-11/8-12)
- ▶ Attachment kit for safety switch (p. 10-20)
- ▶ Conventional lock cylinder 35/35 is not included in the scope of delivery.



Double door assembly kit	H <sub>R</sub> (mm)	B (mm)	No.
	1800	1500	<b>3 842 525 781</b>
	1800	2000	<b>3 842 525 782</b>

Scope of delivery: lock mechanism for double door, profile for door superstructure, profile for door stop, 4 x hinge, base plate, bow-shaped handle, 2 x stop bracket for door bolts, 2 x stop bracket for door stop, fastening material

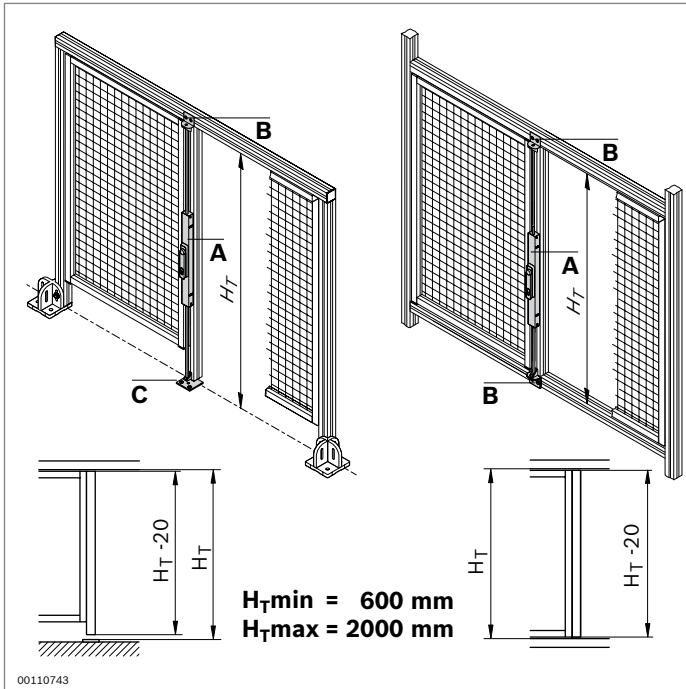


### Selection of suitable protective frames

Protective frame	H <sub>R</sub> (mm)	B (mm)	No.
Protective frame	1800	750	<b>3 842 554 283</b>
Protective frame, in horizontal sections	1800	1000	<b>3 842 554 281</b>

Material: aluminum, anodized; woven wire grille and fastening material: steel; galvanized

Condition on delivery: fully assembled



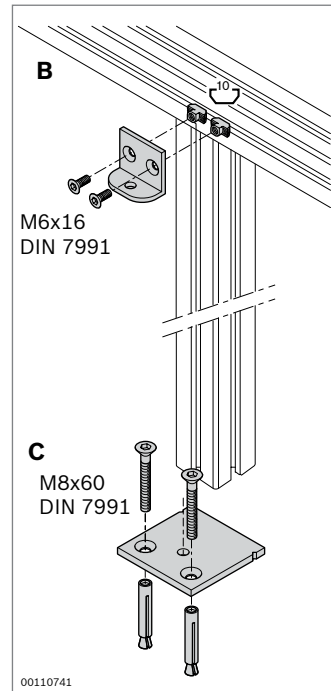
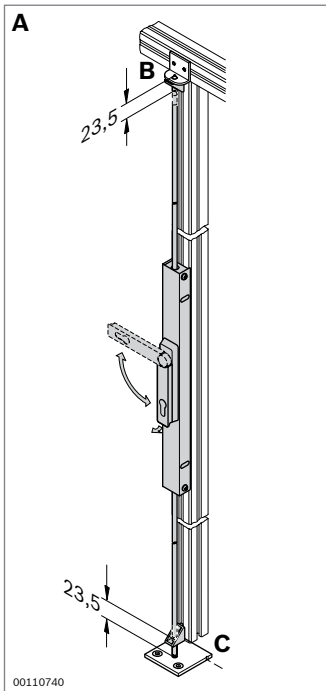
### Lock mechanism for double door



- ▶ Components for constructing a lock mechanism for double doors
- ▶ Optional installation of a standard lock cylinder in the lock mechanism for the double door
- ▶ Locking mechanism assembly kit (A) for individually designed double doors with  $H_{T,max} = 2000$  mm
- ▶ Lock bracket (B) for mounting the lock bolt bar
- ▶ Base plate (C) for mounting the lock bolt bar; fastened to the floor with supplied dowels. For doors which can be driven through

Optional accessories:

Conventional lock cylinder 35/35 is not included in the scope of delivery.



Lock mechanism assembly kit	No.	FS
<b>A</b>	<b>3 842 525 780</b>	2xFS1, 2xFS2, 4xFS3

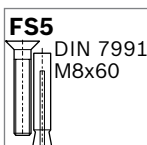
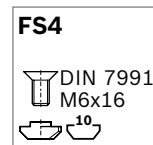
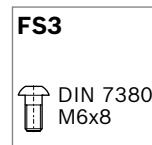
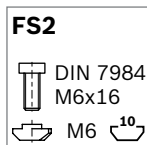
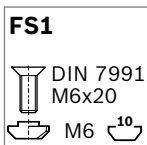
Material: Housing: aluminum  
 Door handle: PA; black  
 Lock bolt: steel; galvanized  
 Lock bolt guide bracket: diecast zinc  
 Scope of delivery: lock mechanism for double door, incl. fastening material (FS)

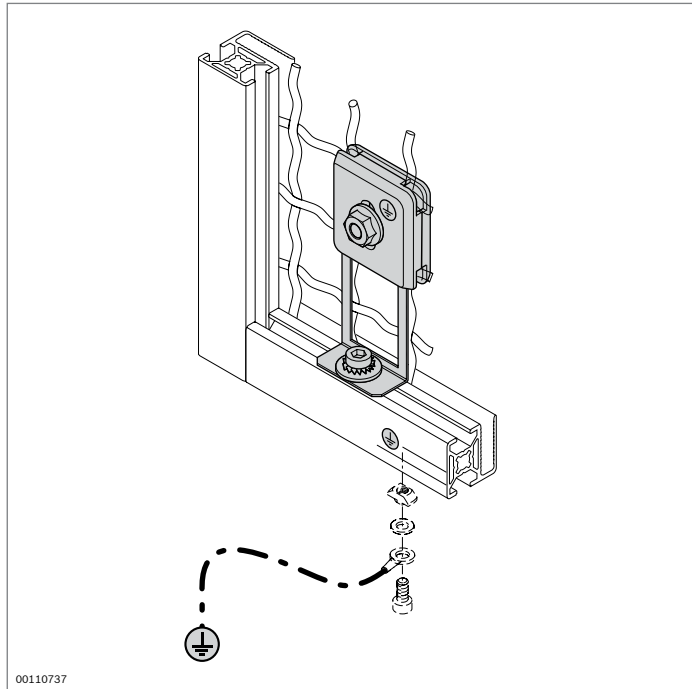
Lock bracket	No.	FS
<b>B</b>	<b>3 842 526 786</b>	2xFS4

Material: aluminum, anodized  
 Scope of delivery: incl. fastening material (FS)

Base plate	No.	FS
<b>C</b>	<b>3 842 526 787</b>	2xFS5

Material: Floor plate: steel; stainless  
 Floor dowels: steel; galvanized  
 Scope of delivery: incl. fastening material (FS)

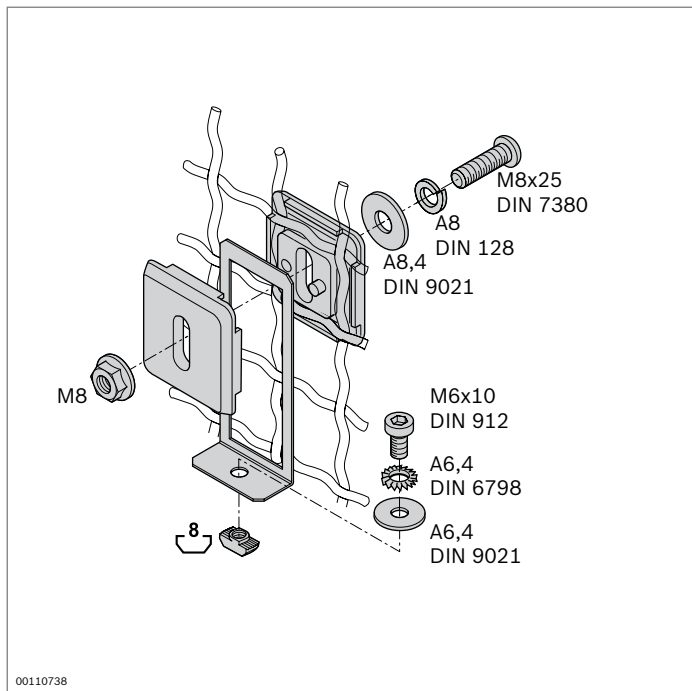




## Ground terminal



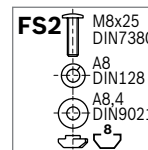
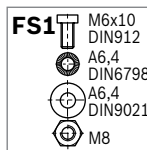
- For creating an electrically conductive connection between the woven wire grille and protective frame
- Connect the protective conductor via the ESD-conductive connection elements (e.g. T-nut)
- Guarantees safe conduction of short-circuit currents up to a rated current of 63 A



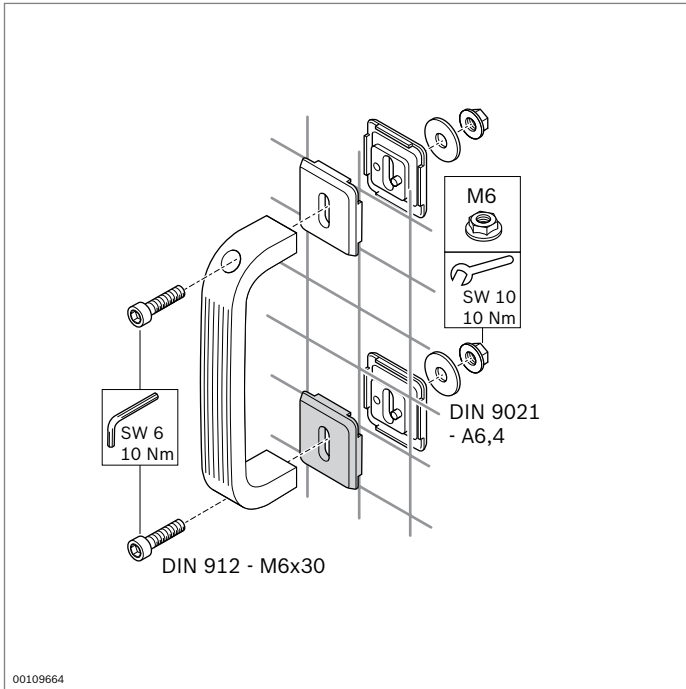
Earthing terminal	No.	FS
	<b>3 842 525 833</b>	FS1, FS2

Material: Earthing terminal: steel; stainless  
 Clamping element: PA; black  
 Fastening material: steel; galvanized

Scope of delivery: incl. fastening material (FS)



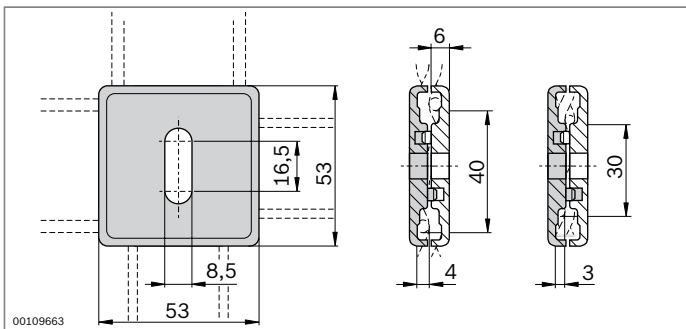




## Clamping element

- ▶ For attaching handles, information boards or warning signs to woven wire grilles 40x40x4 and 30x30x3
- ▶ Clamping with opposing pairs of clamping elements

Required accessories:  
fastening material; see drawing



### Clamping element

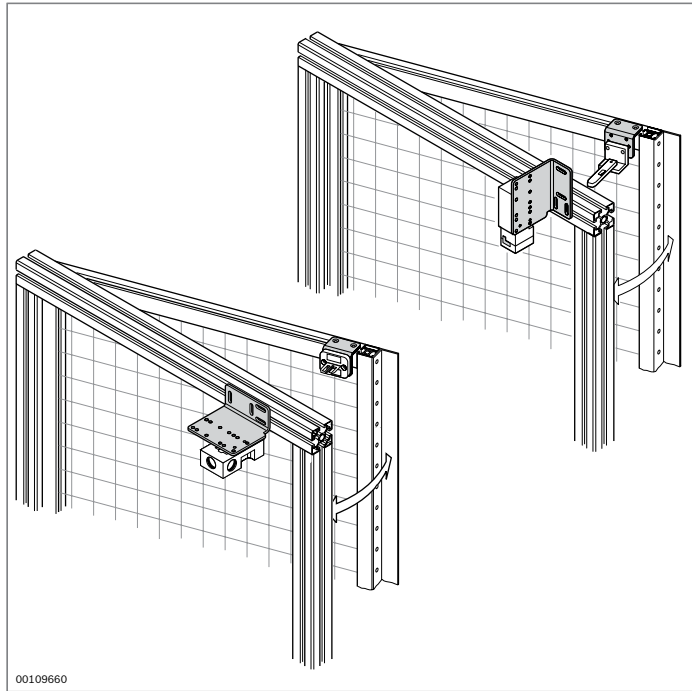


No.

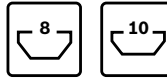
20

**3 842 523 308**

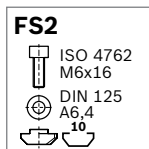
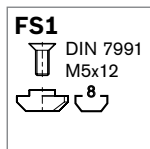
Material: PA66; black



### Attachment kit for safety switch



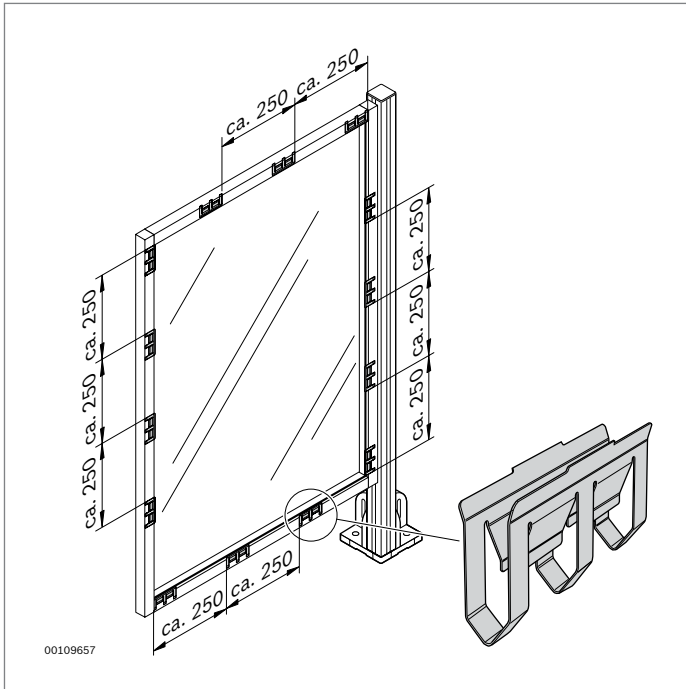
- For installing standard commercially available safety switches on EcoSafe system doors



Attachment kit for safety switch		No.	FS
For safety switch	For activator		
Euchner NZ 1 VZ...	024298; 024299	<b>3 842 522 475</b>	2xFS1, 2xFS2
Euchner NZ 2 VZ...	024298; 024299		
Euchner NZ 1 VS...	024298; 024299		
Euchner NZ 2 VS...	024298; 024299		
Schmersal AZ15,...	AZ15/16-B2-1747		
Schmersal AZ16,...	AZ15/16-B2-1747		
Schneider Electric XCS - A...	XCS-Z03		
Schneider Electric XCS - C...	XCS-Z03		
Schneider Electric XCS - PA...	XCS-Z13		
Schneider Electric XCS - TE...	XCS-Z13		
Euchner TZ...	024298; 024299	<b>3 842 522 476</b>	2xFS1, 2xFS2
Schneider Electric XCS - LE/ LF...	XCS-Z03		
Schneider Electric XCS - TE...	XCS-Z13		
Schneider Electric XCS - PA...	XCS-Z13		
Schmersal AZM161...	AZM161-B1		
Schmersal AZM161...	AZM161-B1E	<b>3 842 522 477</b>	2xFS1, 2xFS2

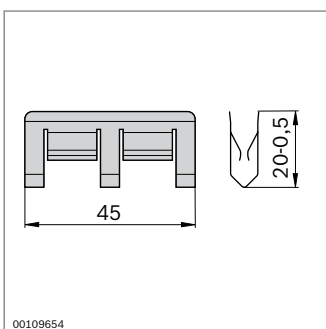
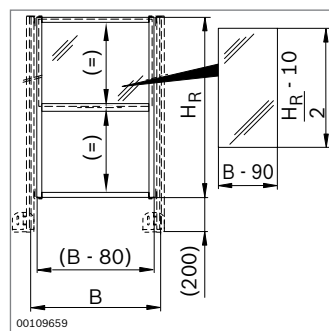
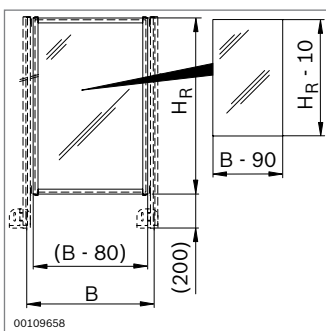
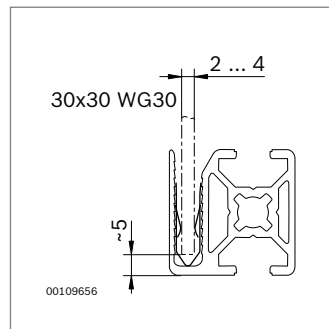
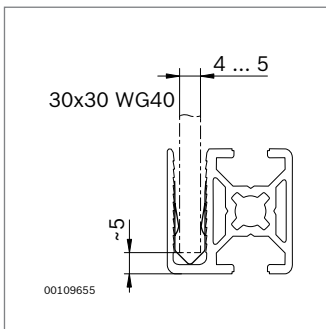
Material: steel; galvanized

Scope of delivery: incl. adapter plate, bracket, incl. fastening material (FS)



## Spring clamping element

- ▶ For clamping surface elements in EcoSafe protective fence profiles 30x30 WG30 and 30x30 WG40
- ▶ Play-free clamping
- ▶ Individual sections of the protective frames can be filled as you wish

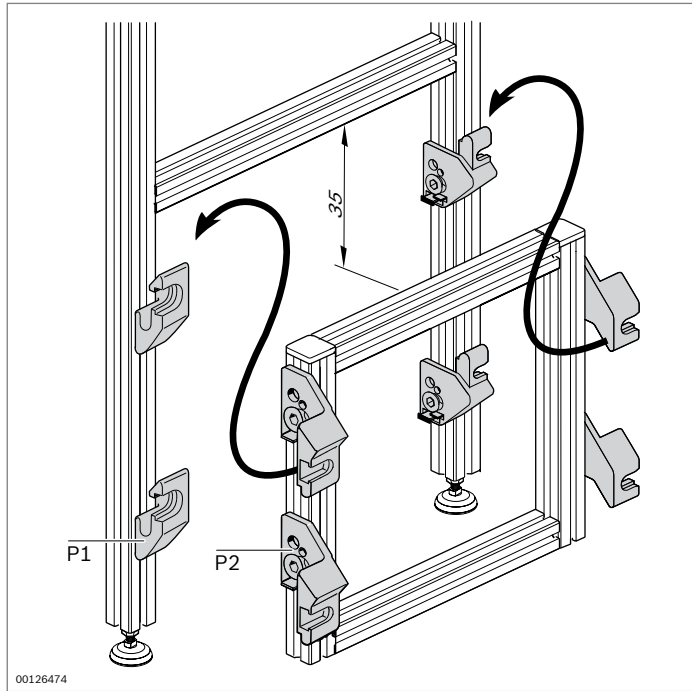


### Spring clamping element

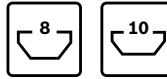
 No.

100 3 842 525 014

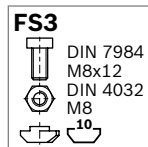
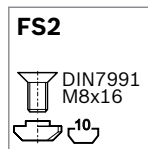
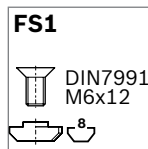
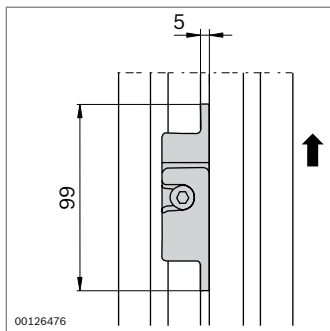
Material: spring steel, stainless



### Suspension piece for frames



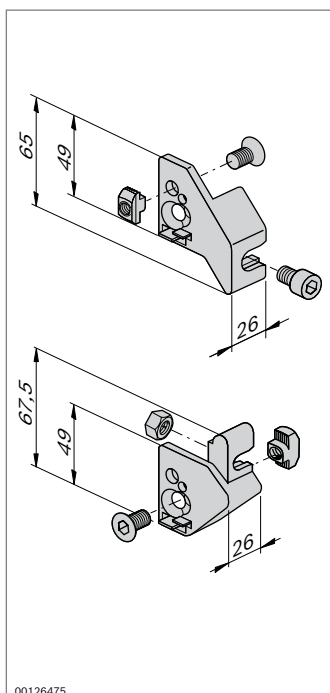
- ▶ Very quick fitting and removal of pre-assembled frames in prepared supporting structures
- ▶ Protection against unintentional lifting out due to both parts of the suspension piece being screwed in
- ▶ Notes on compliance with the Machinery Directive 2006/42/EC: Please note that fastening parts may work loose during disassembly



Suspension piece	P1	P2	No.	FS
<b>Set</b>	45	30	<b>3 842 515 531</b>	4xFS1, 4xFS2, 4xFS3
<b>Set</b>	45	45	<b>3 842 515 863</b>	8xFS2, 4xFS3

Material: diecast zinc

Scope of delivery: Four suspension pieces, incl. fastening material (FS)



# Installation elements



Cable duct PA (p. 11-2)



Cable duct AL (p. 11-3)



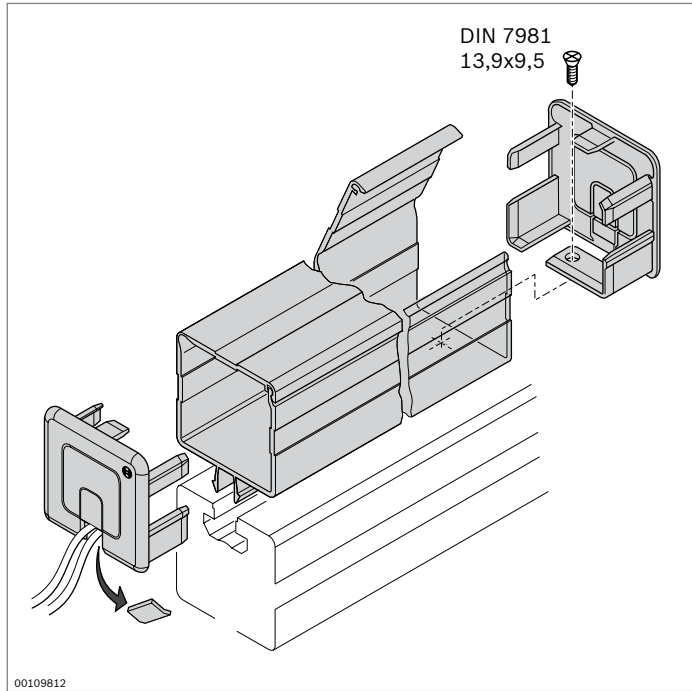
Cable bracket (p. 11-9)



Quick-lock (p. 11-10)

Electrical leads must be neatly laid, because only if they have been installed in an orderly way can electrical faults be easily located and eliminated.

Cable ducts and cable brackets are therefore important elements in terms of maintenance-friendly electrical installation on all kinds of constructions made of basic mechanical elements.



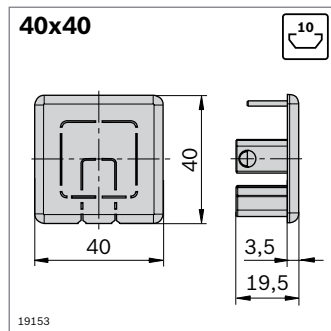
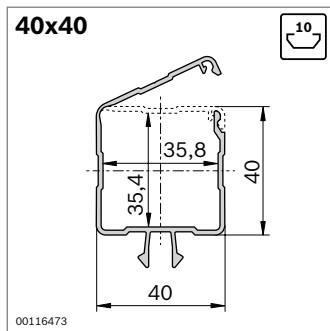
## Cable duct



- ▶ Cable duct for routing electrical lines
- ▶ Captive cover
- ▶ Really easy to access
- ▶ Large usable volume
- ▶ Simple, fast assembly – just clips into the 10 mm slot
- ▶ Cover cap for sealing the cable duct with pre-punched holes for running cables through

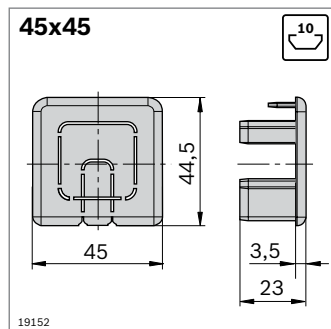
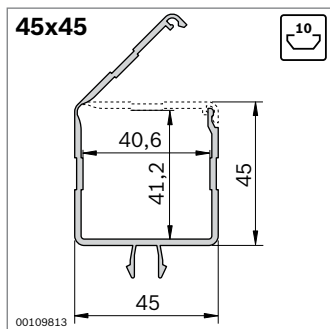
Required accessories:

Screw DIN 7981 3.9 x 9.5 for fastening the cover cap on the cable duct



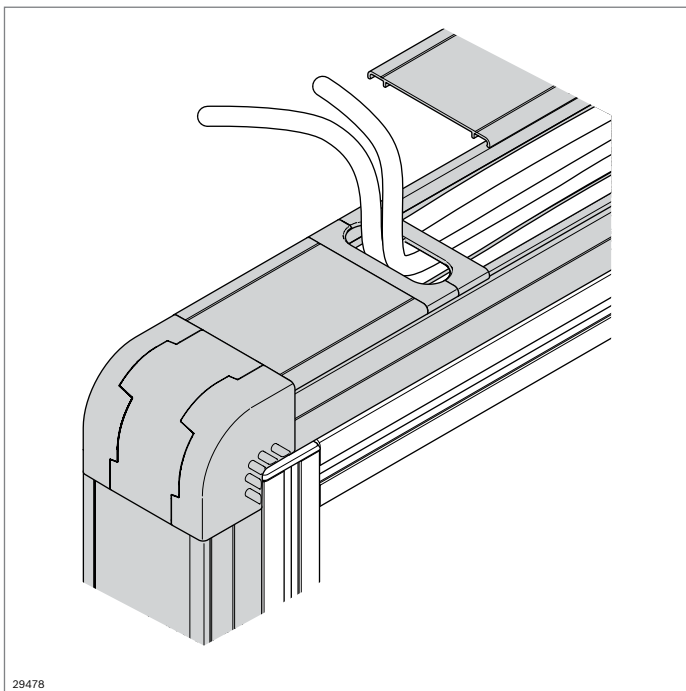
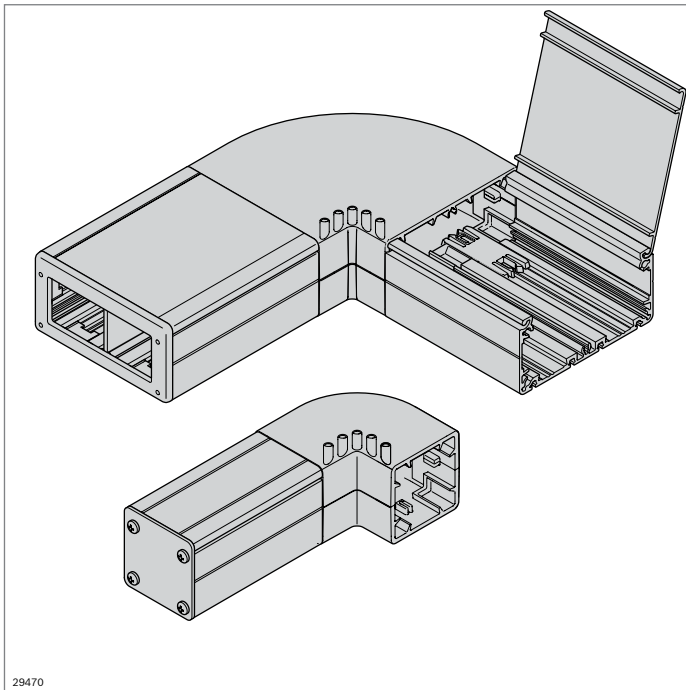
	L (mm)		No.
<b>Cable duct 40x40</b>	2000	1	<b>3 842 532 363</b>
<b>Cover cap 40x40</b>		10	<b>3 842 535 921</b>

Material: Cable duct: PVC, black  
Cover cap: PA; black



	L (mm)		No.
<b>Cable duct 45x45</b>	2000	1	<b>3 842 523 014</b>
<b>Cover cap 45x45</b>		10	<b>3 842 535 676</b>

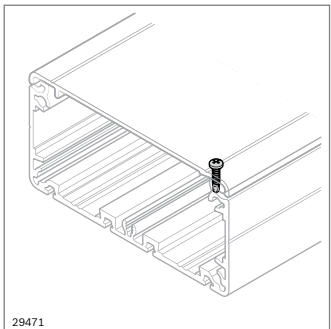
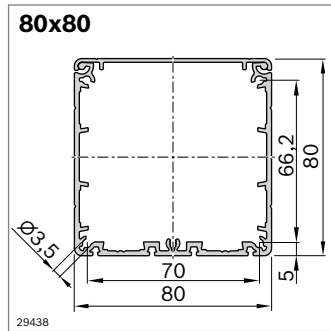
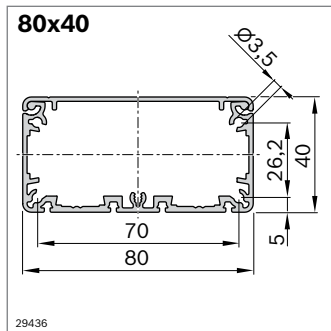
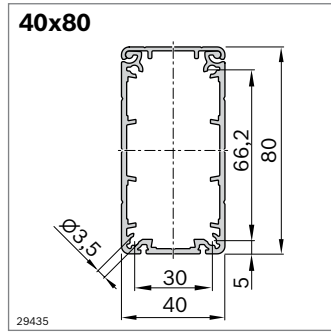
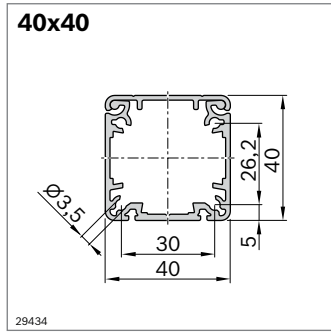
Material: Cable duct: PVC, black  
Cover cap: PA; black



## Aluminum cable duct







- ▶ Can be either clipped or screwed onto the support profile
- ▶ Sizes 40x40, 40x80, 80x40, 80x80
- ▶ Drilling aids for easy machining
- ▶ Dovetail attachment option
- ▶ Suitable for installing on profiles with modular dimensions of 40 and 45 mm
- ▶ Interior can be divided for routing different cable types (size 80x40 and 80x80)
- ▶ ESD-conductive
- ▶ High-quality, attractive external finish thanks to anodized duct surface and cover plate
- ▶ Edge protector for protecting the cables/lines from being damaged on rough edges
- ▶ PG screw fastenings possible in the side wall and cover plate (mechanical finishing)
- ▶ Fitting of sockets, switches etc. possible (mechanical finishing)
- ▶ Screw holes for secure fastening of the cover plate
- ▶ Cable duct cover can be screwed to the bearing/support structure
- ▶ VDE certified
- ▶ Compliant with DIN EN 50085-1 and 50085-2-1 standards



### Aluminum cable duct

- ▶ Cable duct pre-assembled (cover and bearing/support structure)
- ▶ Usable length 3000 mm (delivered in 3100 mm lengths)
- ▶ Cover can be secured with a self-tapping screw

Optional accessories: self-tapping screw **3 842 552 267**

Cable duct with AL cover plate	ESD	L (mm)	No.
1 pcs <b>40x40</b>	⚠	100 ... 3000	<b>3 842 996 356/L</b>
 12 pcs <b>40x40</b>	⚠	3000	<b>3 842 552 268</b>
1 pcs <b>40x80</b>	⚠	100 ... 3000	<b>3 842 996 357/L</b>
 12 pcs <b>40x80</b>	⚠	3000	<b>3 842 552 270</b>
1 pcs <b>80x40</b>	⚠	100 ... 3000	<b>3 842 996 358/L</b>
 12 pcs <b>80x40</b>	⚠	3000	<b>3 842 552 273</b>
1 pcs <b>80x80</b>	⚠	100 ... 3000	<b>3 842 996 359/L</b>
 6 pcs <b>80x80</b>	⚠	3000	<b>3 842 552 275</b>

Material: aluminum, anodized

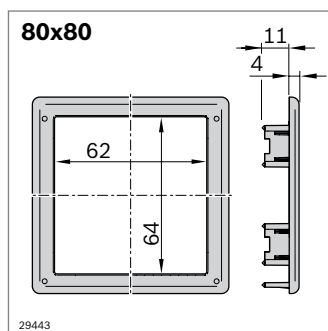
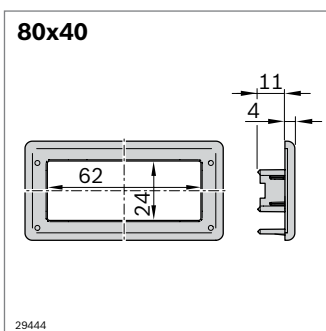
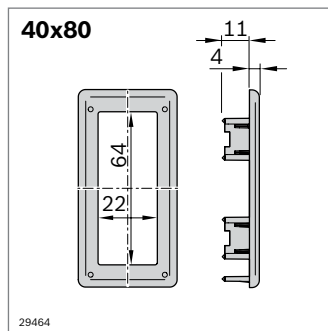
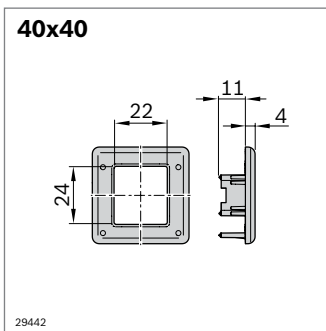
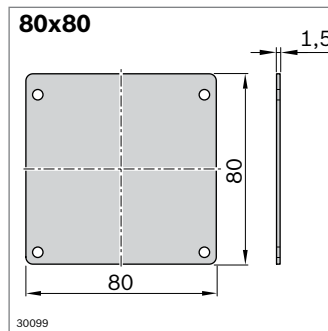
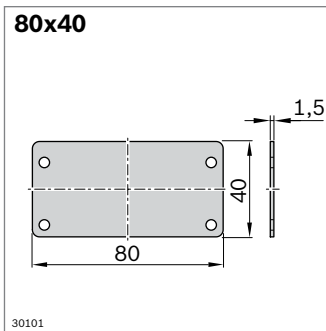
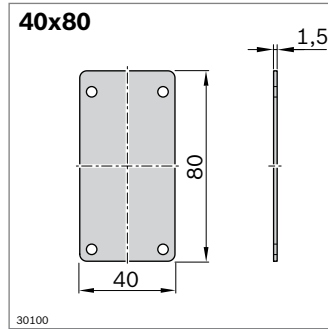
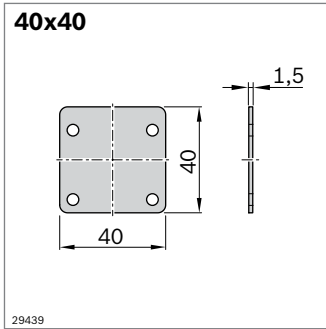
### Self-tapping screw

- ▶ For securing the cover plate on the cable duct
- ▶ Produces conductive connection between the cover plate and cable duct

Self-tapping screw	ESD	No.
<b>Ze. Pi. 3.5x9.5</b>	⚠	10 <b>3 842 552 267</b>

Material: steel; galvanized





**Cover plate**

- ▶ Seals the end face of the cable duct
- ▶ Fastened securely with screws
- ▶ Openings for PG screw fastenings can be provided through mechanical finishing

Cover plate	ESD	No.
40x40	10	3 842 552 249
40x80	10	3 842 552 250
80x40	10	3 842 552 251
80x80	10	3 842 552 252

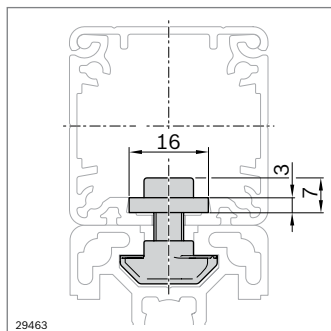
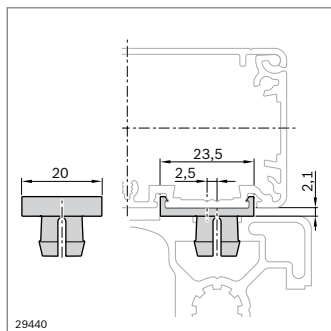
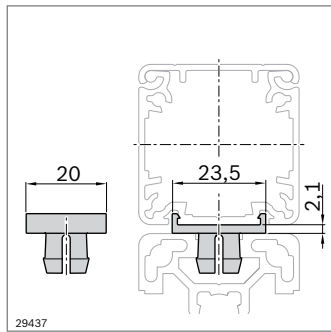
Material: Cover plate: aluminum, anodized  
 Pressed edges: aluminum, plain  
 Screw: steel; galvanized  
 Scope of delivery: cover plate incl. fastening screws

**Edge protector**

- ▶ Used to protect the cables if there is an end-face cable outlet
- ▶ Can be pushed and also screwed into position
- ▶ Can be used to protect the cable at lateral outlets

Edge protector	No.
40x40	10 3 842 552 253
40x80	10 3 842 552 254
80x40	10 3 842 552 255
80x80	10 3 842 552 256

Material: PP; signal gray RAL 7004



### Mounting base

- ▶ For machining-free mounting of the cable duct on the support profile
- ▶ Insulates the cable duct from the support profile

#### Symmetrical mounting base

- ▶ “Symmetrical” design for central mounting of the cable duct on profiles with just one slot on the mounting side, and on multi-slot profiles with 40 mm modular dimension

Mounting base	ESD	No.
<b>Symmetrical</b>	10	<b>3 842 552 247</b>
Material: PA; signal gray RAL 7004		

#### Symmetrical mounting base

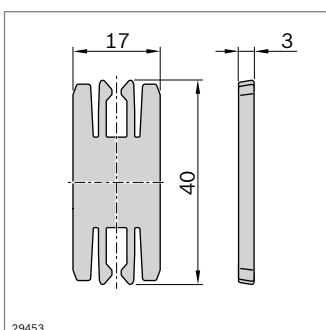
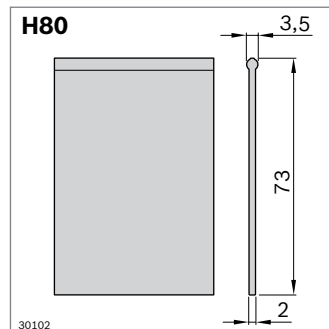
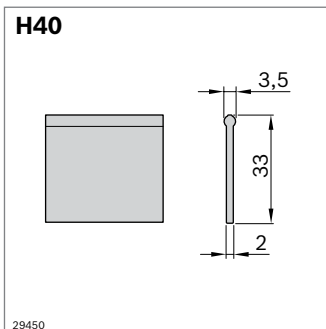
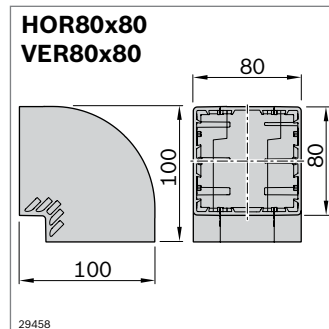
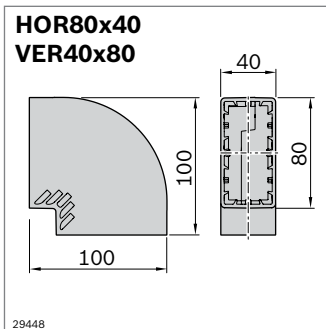
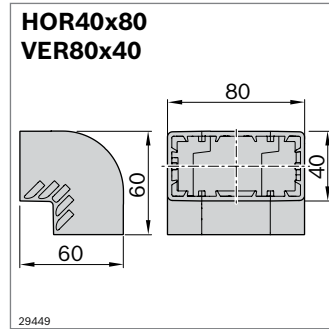
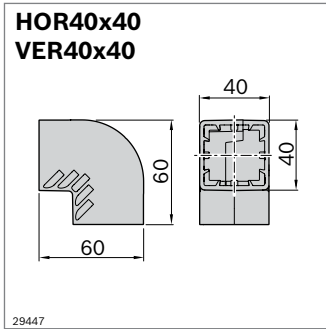
- ▶ “Symmetrical” design for central mounting on profiles with multiple slots on the mounting side and 45 mm modular dimension

Mounting base	ESD	No.
<b>Asymmetrical</b>	10	<b>3 842 552 248</b>
Material: PA; signal gray RAL 7004		

### Mounting kit

- ▶ For screwing the cable duct to the support profile
- ▶ Secure force transmission without deformation of the mounting surface
- ▶ Cable duct has to be drilled (diameter: 6.4 mm)
- ▶ Recommendation: insert every 500 mm

Mounting kit	ESD	No.
<b>10</b>	10	<b>3 842 548 997</b>
Material: steel; galvanized		
Scope of delivery: insert sheet; T-nut M6, 10 mm slot; screw M6x16		



### Curve

- ▶ 90° curve in horizontal and vertical direction
- ▶ Modular design
- ▶ Cable ducts connected together with push-in connecting elements
- ▶ Cable ducts can be made conductive by using supplied potential equalizing cable

Curve	ESD*)	No.
<b>HOR40x40; VER40x40</b>	⚡	1 <b>3 842 552 257</b>
<b>HOR40x80; VER80x40</b>	⚡	1 <b>3 842 552 258</b>
<b>HOR80x40; VER40x80</b>	⚡	1 <b>3 842 552 259</b>
<b>HOR80x80; VER80x80</b>	⚡	1 <b>3 842 552 260</b>

Material: PP; signal grey RAL 7004

Scope of delivery: Curve, connecting elements, potential equalizing cable

\*) ESD: Plastic has no conductivity. Using a potential equalizer, 2 cable ducts can be connected in a conductive way (s. p. 11-8).

### Dividing strip

- ▶ Divides the cable duct into 2 chambers for carrying different electric cables, e.g. electricity and data cables
- ▶ Push-in installation
- ▶ Bendable, so it can also be used on curves

Dividing strip	No.
<b>H40 L=3000 mm</b>	10 <b>3 842 552 245</b>
<b>H80 L=3000 mm</b>	10 <b>3 842 552 246</b>

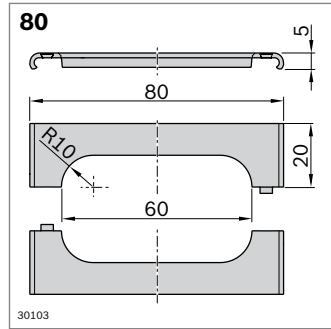
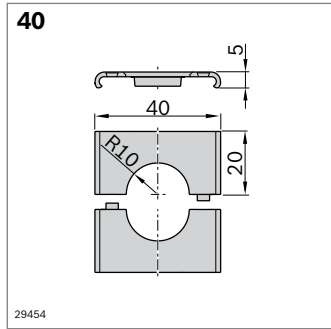
Material: PVC; signal gray RAL 7004

### Connecting element

- ▶ Extension of ends of cable ducts
- ▶ For connecting cable duct with curve
- ▶ ESD-conductivity of both cable ducts can be established by using an overlapping cover and self-tapping screw (p. 11-4)

Connecting element	No.
	10 <b>3 842 552 240</b>

Material: PA; signal gray RAL 7004

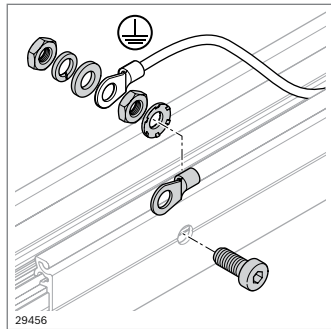


### Cable hole

- For passing cables through within the cover

Cable hole		No.
40	10	3 842 553 973
80	10	3 842 553 974

Material: PP; signal gray RAL 7004



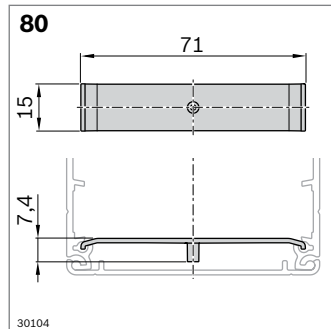
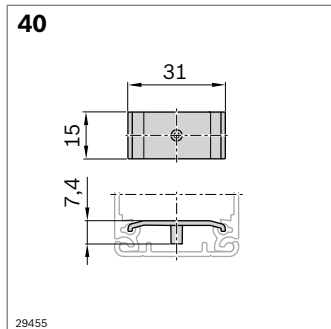
### Potential equalizer

- DIN VDE 0100-410 compliant:
- For connecting the cable duct to an earthed protective conductor

Potential equalizer		No.
10	10	3 842 552 263

Material: steel; galvanized

Scope of delivery: Grounding wire not available

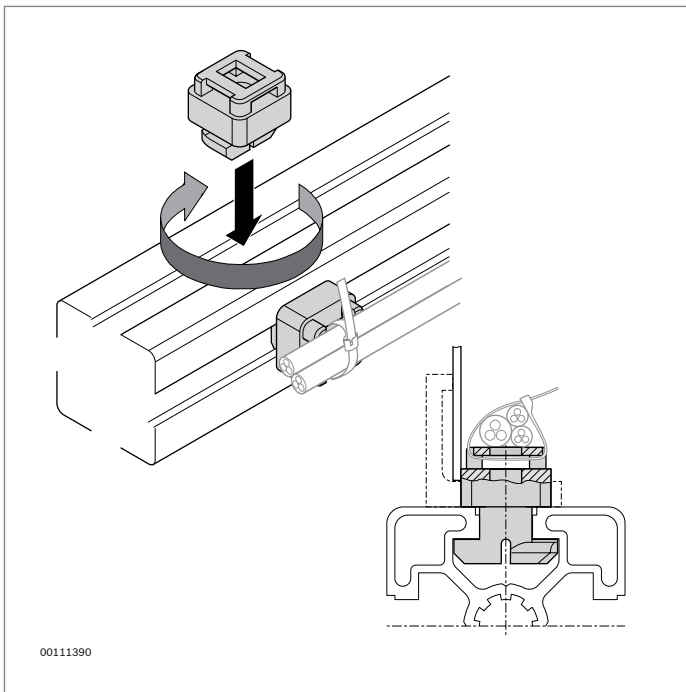


### Cable holder

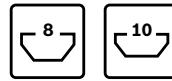
- For fixing the cable in the cable duct in the case of overhead mounting
- Recommendation: insert every 200 mm

Cable holder		No.
40	10	3 842 552 265
80	10	3 842 552 266

Material: PA6; signal gray RAL 7004



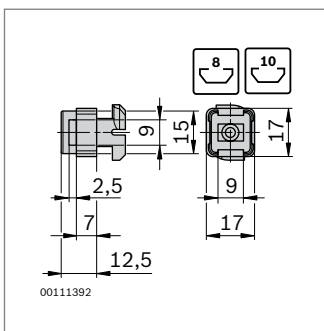
## Cable bracket



- ▶ Cable bracket for fastening individual cables with cable fasteners
- ▶ For use behind panels or screens
- ▶ Dimensioned to match the Variofix block for slot 10 mm

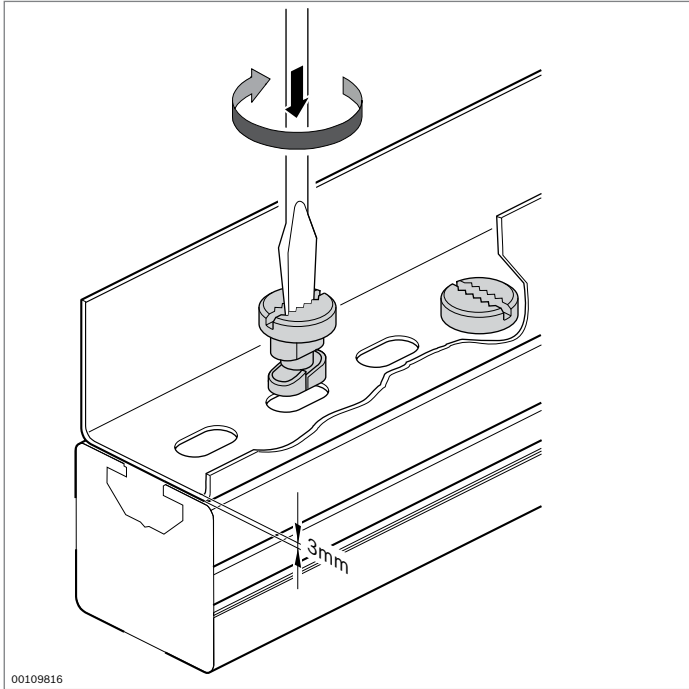
Required accessories:

Cable ties



Cable bracket	Groove	No.
	8	100 3 842 526 565
	10	100 3 842 526 564

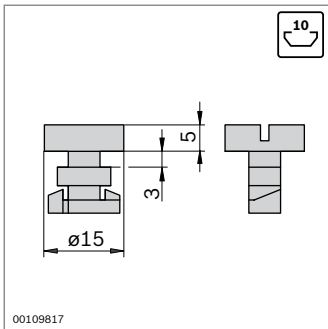
Material: PA; black



## Quick-lock



- Quick-lock for fastening standard commercially available cable ducts



Quick-lock	No.
	100 3 842 146 920

Material: PA; black

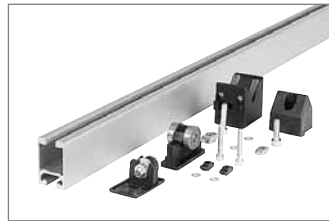
# Elements for manual movement



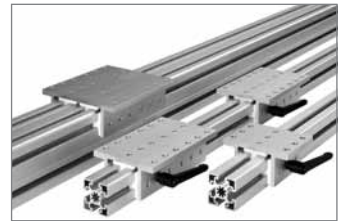
Slide hangers, spring hooks  
(p. 12-2)



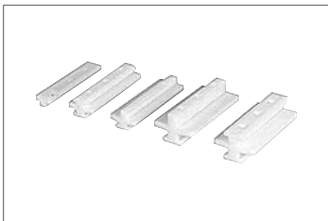
Sliders for surface element  
(p. 12-3)



Components for sliding door  
(p. 12-4)



EcoSlide (p. 12-6)



Sliders for profiles (p. 12-13)



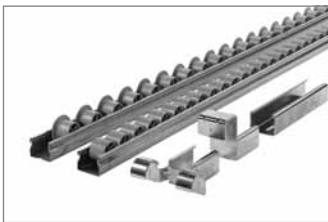
Support wheels (p. 12-17)



Rack, pinion (p. 12-18)



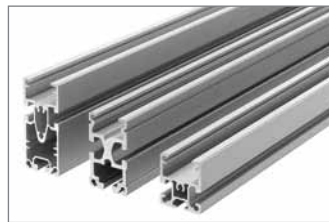
Conveyor track Lean  
(p. 12-20)



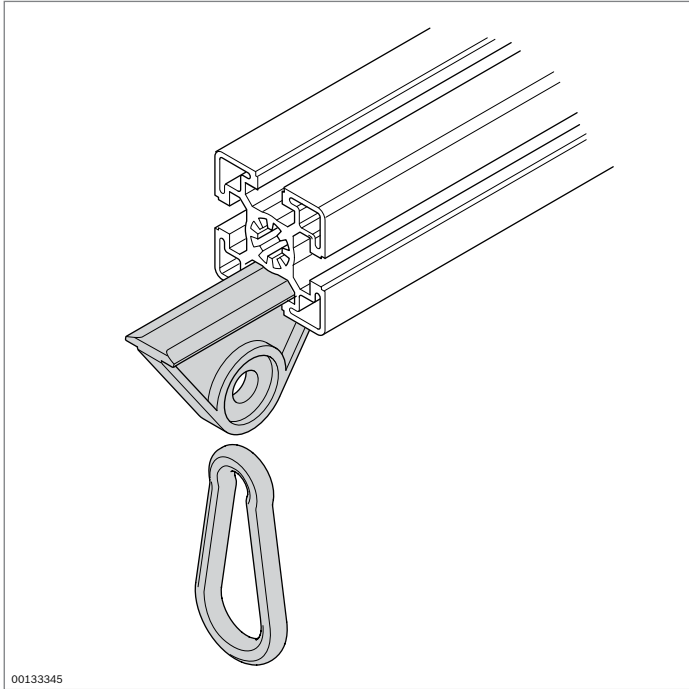
Conveyor track XLean  
(p. 12-25)



EcoFlow conveyor track  
(p. 12-28)



Profiles for installing conveyor media  
(p. 12-34)



## Slide hanger Spring hook



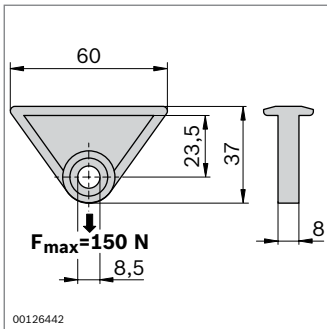
### Slide hanger

- ▶ Slide hanger as an inexpensive solution for sliding tool hangers
- ▶ Max. load: 150 N
- ▶ Guide in the 10 mm profile slot
- ▶ Sliding block can be used as a stopper

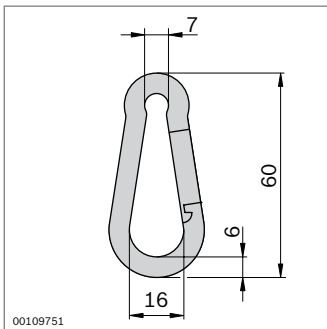
Accessories: Sliding block as a stopper (see p. 3-7)

### Spring hook

- ▶ Spring hook for fastening tools to the slide hanger:
  - Quick and easy to change



00126442



00109751

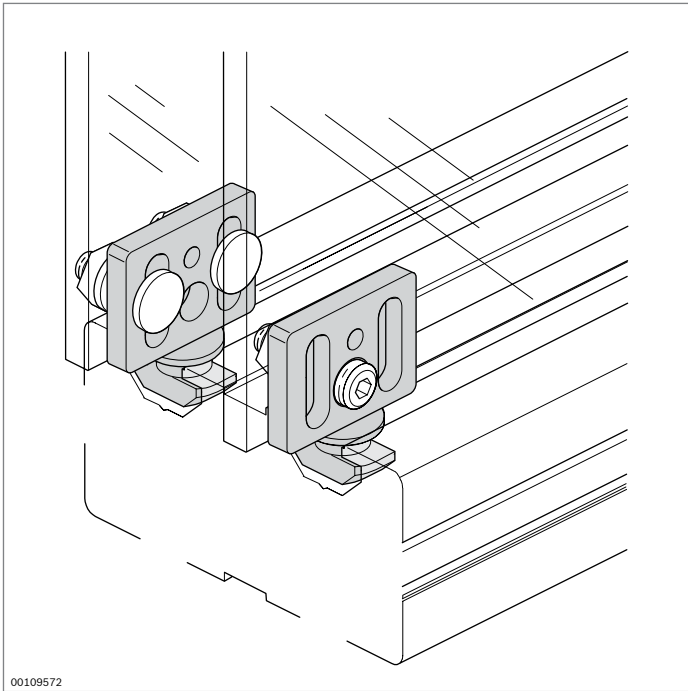
Slide hanger	No.
	<b>3 842 218 953</b>

Material: POM; natural

Spring hook	No.
	<b>0 842 901 309</b>

Material: steel; galvanized





00109572

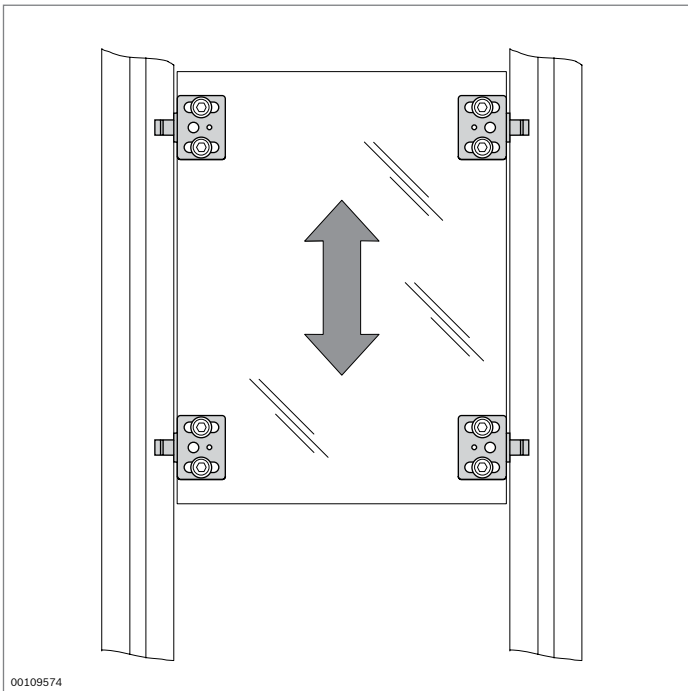
## Slider for surface elements



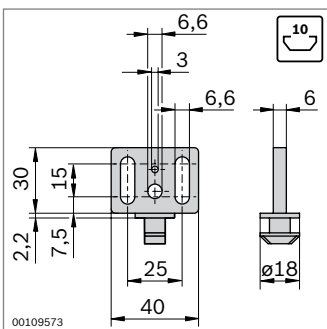
- ▶ For the construction of sliding and lifting doors
- ▶ Good functional reliability
- ▶ For any thickness of the surface element or aluminum profile frame

Required accessories:  
screws and nuts/sliding blocks for fastening the surface elements

Optional accessories:  
counterbalance in the case of lifting doors (see p. 9-2)



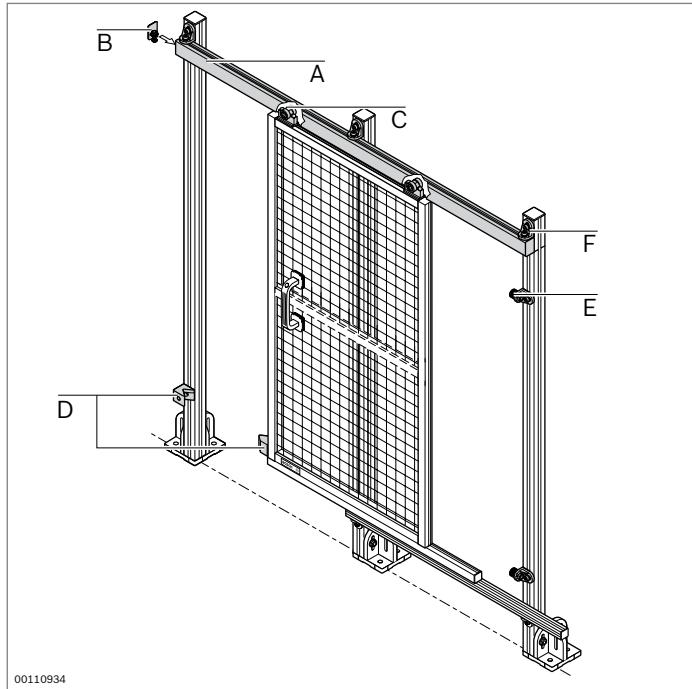
00109574



00109573

Slider	No.
	10 <b>3 842 530 303</b>

Material: POM; black



### Components for sliding door



- Components for constructing sliding doors of different dimensions

**A**

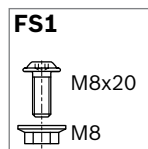
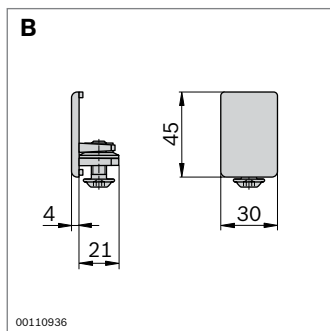
$A = 4,4 \text{ cm}^2$   
 $I_x = 10,3 \text{ cm}^4$   
 $I_y = 5,6 \text{ cm}^4$   
 $W_x = 4,2 \text{ cm}^3$   
 $W_y = 3,7 \text{ cm}^3$   
 $m = 1,2 \text{ kg/m}$

30348

- Profile rail and trolley for movable mounting of parts, e.g. for use as a screwdriver hanger at work tables or for EcoSafe sliding doors (p. 10-14)

Profile rail 30x45C		L (mm)	No.
1 pcs		50 ... 5600	<b>3 842 992 946 / L</b>
	20 pcs	5600	<b>3 842 523 598</b>

Material: aluminum, anodized

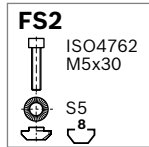
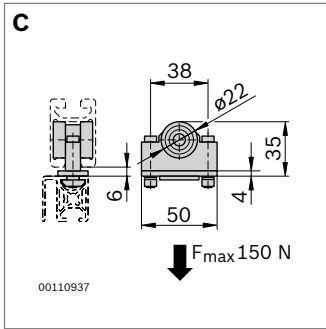


- Profile rail end piece for use for trolley as a cover cap with stop
- With screw protection

End piece 30x45C	Color	ESD		No.	FS
	Signal gray		20	<b>3 842 554 710</b>	FS1
	Black		20	<b>3 842 554 711</b>	FS1

Material: End piece: PA  
Fastening material: steel; galvanized

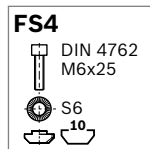
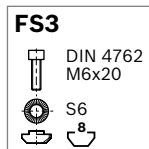
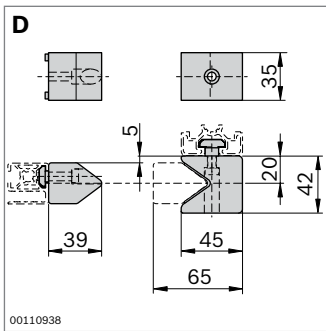
Scope of delivery: incl. fastening material (FS)



- ▶ Trolley with dust-proof ball bearings for smooth sliding motion
- ▶ For fastening profiles with a 8 mm slot

Trolley	No.	FS
	<b>3 842 524 153</b>	2xFS2

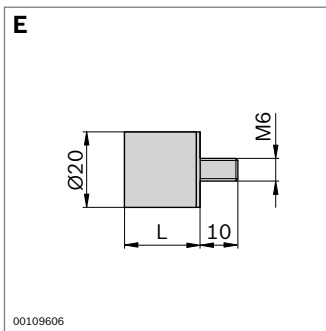
Material: PA, black / steel, galvanized  
 Fastening material: steel; galvanized  
 Scope of delivery: incl. fastening material (FS)



- ▶ Stop kit for damped closing of the sliding door

Stop kit	No.	FS
	<b>3 842 524 490</b>	FS3, FS4

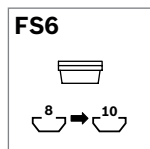
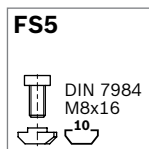
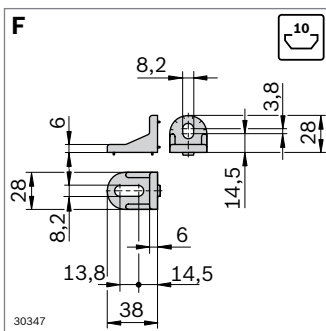
Material: PA; black  
 Fastening material: steel; galvanized  
 Scope of delivery: incl. fastening material (FS)



- ▶ Bumper for a damped stop

Bump stop	No.
	<b>10 3 842 510 462</b>

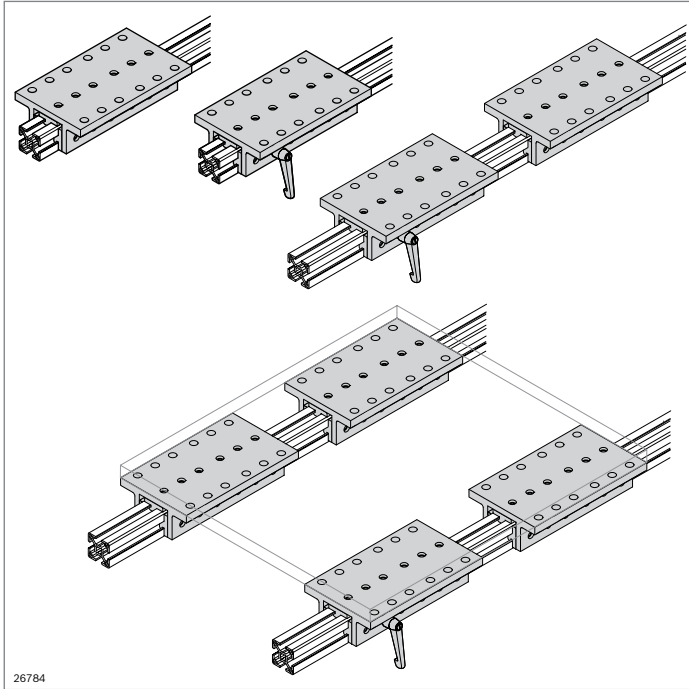
Material: rubber, hardness 55° shore A  
 Accessories: bracket set R28x38 for fastening to strut profiles with 10 mm slot



- ▶ Bracket for fastening the profile rail to strut profiles with 10 mm slot

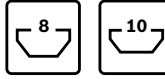
Bracket	Slot	ESD	No.	FS
<b>R28x38 set (standard)</b>	10 / 10		<b>3 842 521 580</b>	2xFS5, 4xFS6

Material: diecast zinc  
 Fastening material: steel; galvanized  
 Scope of delivery: incl. fastening material (FS)

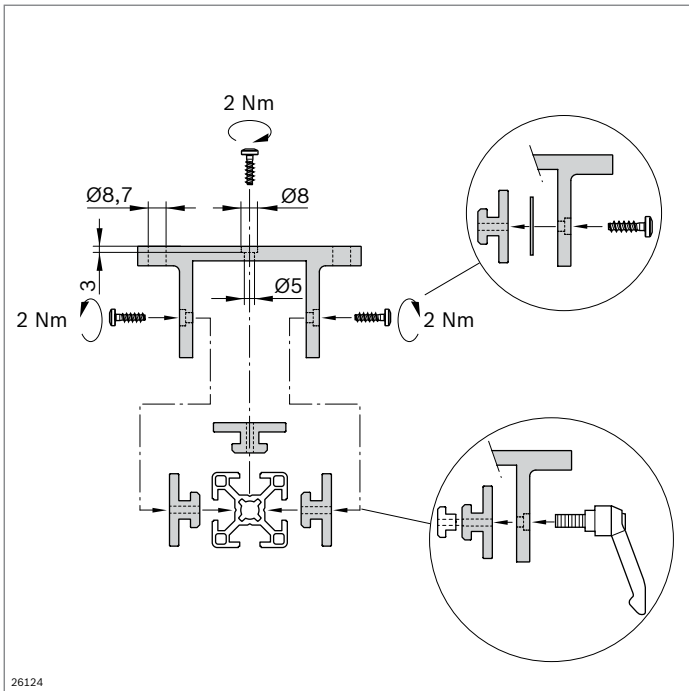


26784

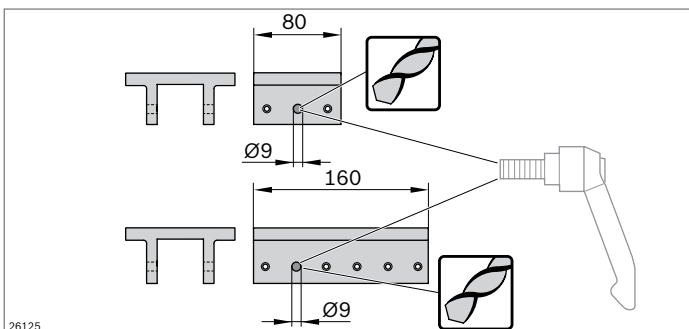
## EcoSlide



- ▶ Economical linear sliding carriage for horizontal applications
- ▶ Runs on sliders for maximal load capacity
- ▶ Slider with low moisture absorption, suitable for rough usage conditions
- ▶ Available for profile widths of 30/45/60/90
- ▶ Clamping lever (optional) for arresting in any position
- ▶ Easy to assemble
- ▶ Spacer washer for tolerance adjustment (carriage/profile)



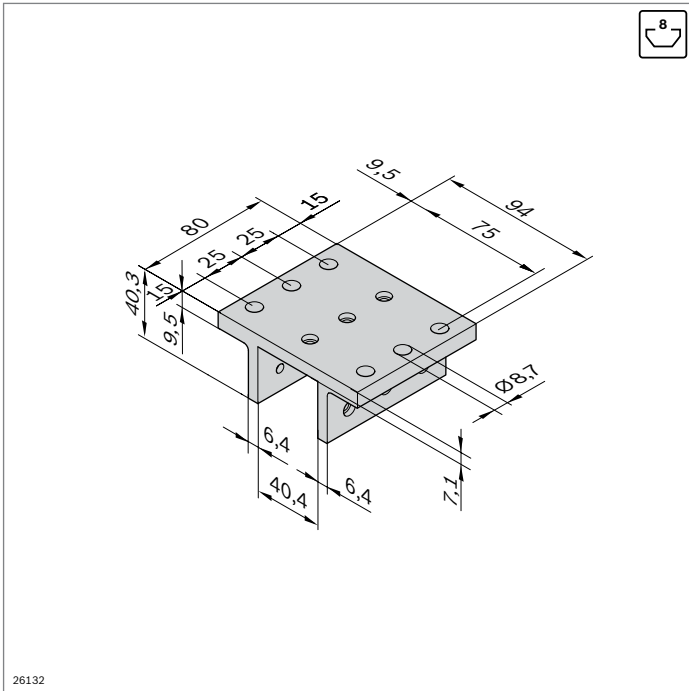
26124



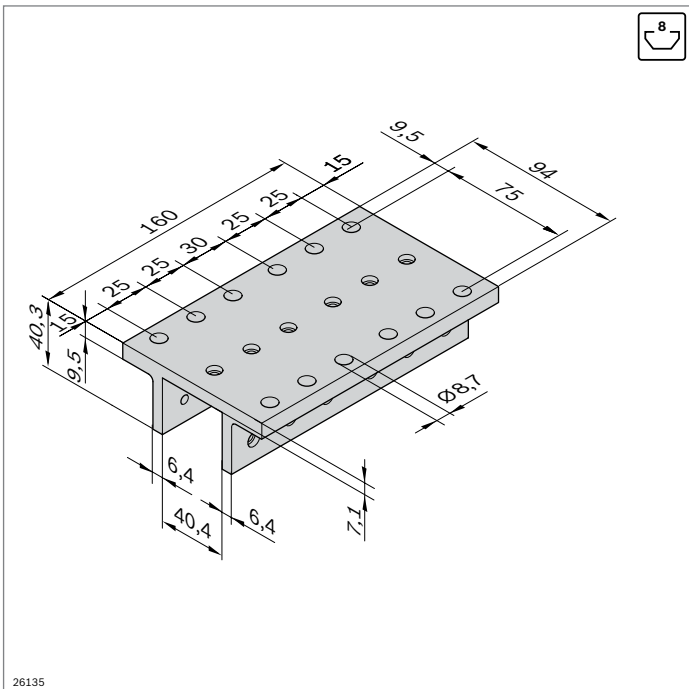
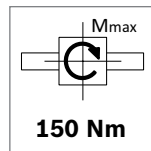
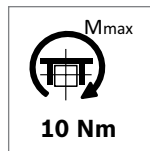
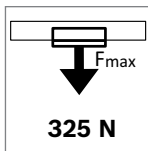
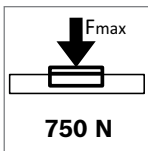
26125

### Machining tip

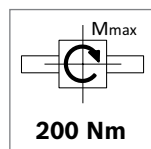
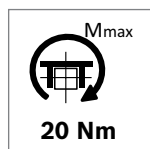
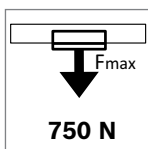
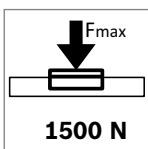
To install the clamping lever, the corresponding 9 mm hole must be drilled in the trolley.



26132



26135



### EcoSlide 30x30x80

- ▶ For use with profile width 30 mm
- ▶ Maximum sliding speed: 12 m/min

Trolley 30x30x80	No.
	1 <b>8 981 535 476</b>

Material: aluminum, anodized

### Accessories

	No.		Page
		Qty.	Qty.
Slider, slot 8 mm flat	10 <b>3 842 523 212</b>	3	2
Slider, slot 8 mm flat lockable	1 <b>3 842 552 423</b>	—	1
Spacer washer Slot 8 mm	4 <b>8 981 535 891</b>	X <sup>1)</sup>	X <sup>1)</sup>
Screw W1451 - 3.5x14 - 10.9	10 <b>3 842 552 421</b>	9	8
Clamping lever, 20 mm	1 <b>3 842 516 846</b>	—	1
Sliding block Slot 8 mm; M8	100 <b>3 842 514 931</b>	—	1

<sup>1)</sup> If required

### EcoSlide 30x30x160

- ▶ For use with profile width 30 mm
- ▶ Maximum sliding speed: 12 m/min

Trolley 30x30x160	No.
	1 <b>8 981 535 477</b>

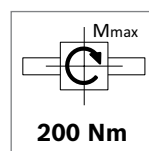
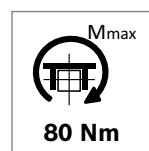
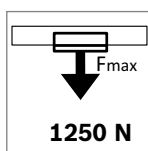
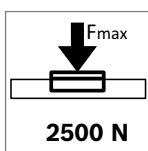
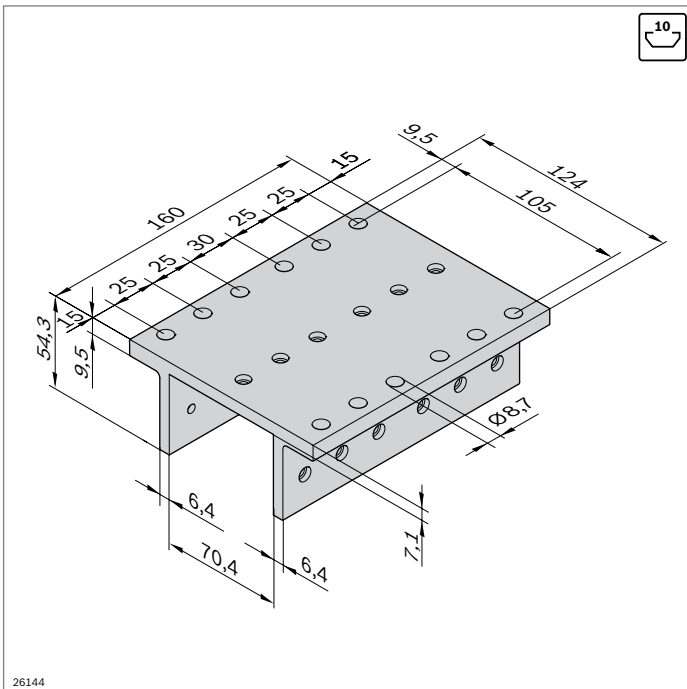
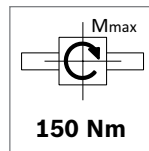
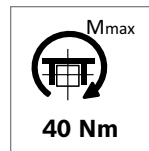
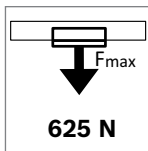
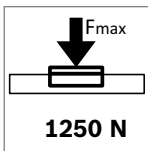
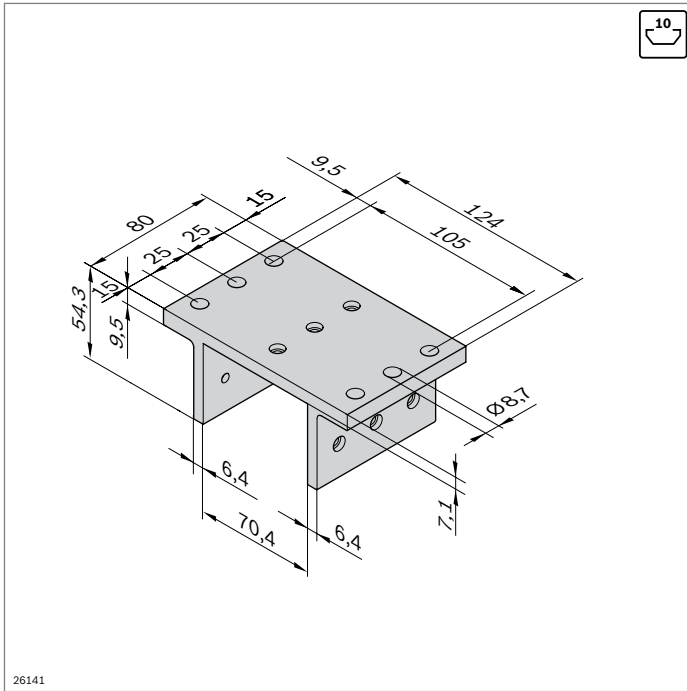
Material: aluminum, anodized

### Accessories

	No.		Page
		Qty.	Qty.
Slider, slot 8 mm flat	10 <b>3 842 523 212</b>	6	5
Slider, slot 8 mm flat lockable	1 <b>3 842 552 423</b>	—	1
Compensation washer Slot 8 mm	4 <b>8 981 535 891</b>	X <sup>1)</sup>	X <sup>1)</sup>
Screw W1451 - 3.5x14 - 10.9	10 <b>3 842 552 421</b>	18	17
Clamping lever, 20 mm	1 <b>3 842 516 846</b>	—	1
Sliding block Slot 8 mm; M8	100 <b>3 842 514 931</b>	—	1

<sup>1)</sup> If required





### EcoSlide 45x60x80

- ▶ For use with profile width 60 mm
- ▶ Maximum sliding speed: 12 m/min

#### Trolley 45x60x80

No.	No.
1	<b>8 981 535 478</b>

Material: aluminum, anodized

#### Accessories

No.	No.	Qty.	Qty.	Page
Slider, slot 10 mm flat	10 <b>3 842 530 329</b>	3	2	12-13
Slider, slot 10 mm flat lockable	1 <b>3 842 552 424</b>	—	1	12-11
Compensation washer Slot 10 mm	4 <b>8 981 535 890</b>	X <sup>1)</sup>	X <sup>1)</sup>	12-12
Screw W1452 - 4x18 - 10.9	10 <b>3 842 552 422</b>	9	8	12-12
Clamping lever, 20 mm	1 <b>3 842 516 846</b>	—	1	4-11
Sliding block Slot 10 mm; M8	100 <b>3 842 528 735</b>	—	1	3-7

<sup>1)</sup> If required

### EcoSlide 45x60x160

- ▶ For use with profile width 60 mm
- ▶ Maximum sliding speed: 12 m/min

#### Trolley 45x60x160

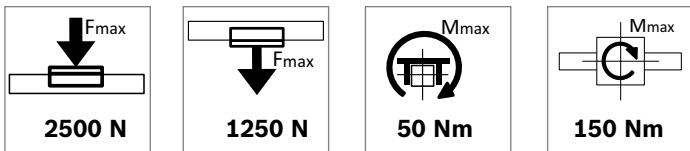
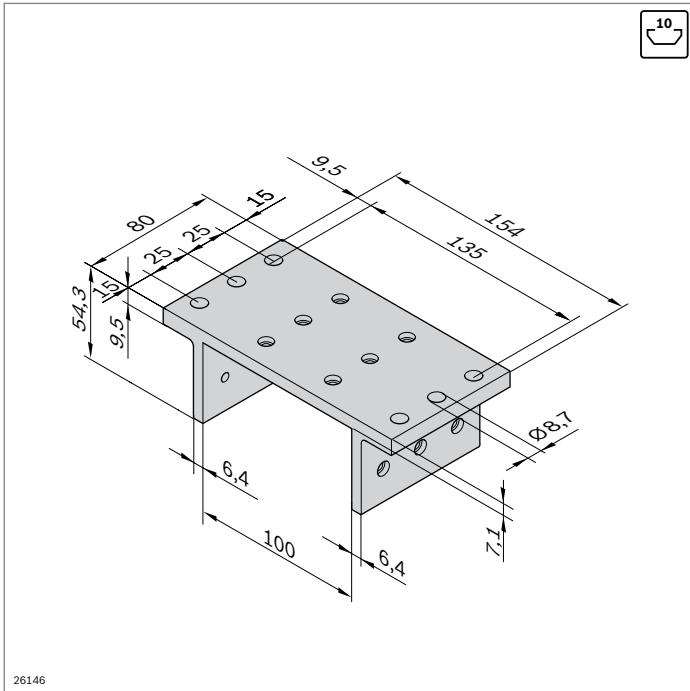
No.	No.
1	<b>8 981 535 479</b>

Material: aluminum, anodized

#### Accessories

No.	No.	Qty.	Qty.	Page
Slider, slot 10 mm flat	10 <b>3 842 530 329</b>	6	5	12-13
Slider, slot 10 mm flat lockable	1 <b>3 842 552 424</b>	—	1	12-11
Compensation washer Slot 10 mm	4 <b>8 981 535 890</b>	X <sup>1)</sup>	X <sup>1)</sup>	12-12
Screw W1452 - 4x18 - 10.9	10 <b>3 842 552 422</b>	18	17	12-12
Clamping lever, 20 mm	1 <b>3 842 516 846</b>	—	1	4-11
Sliding block Slot 10 mm; M8	100 <b>3 842 528 735</b>	—	1	3-7

<sup>1)</sup> If required



### EcoSlide 45x90x80

- ▶ For use with profile width 90 mm
- ▶ Maximum sliding speed: 12 m/min

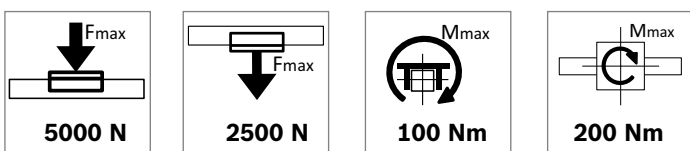
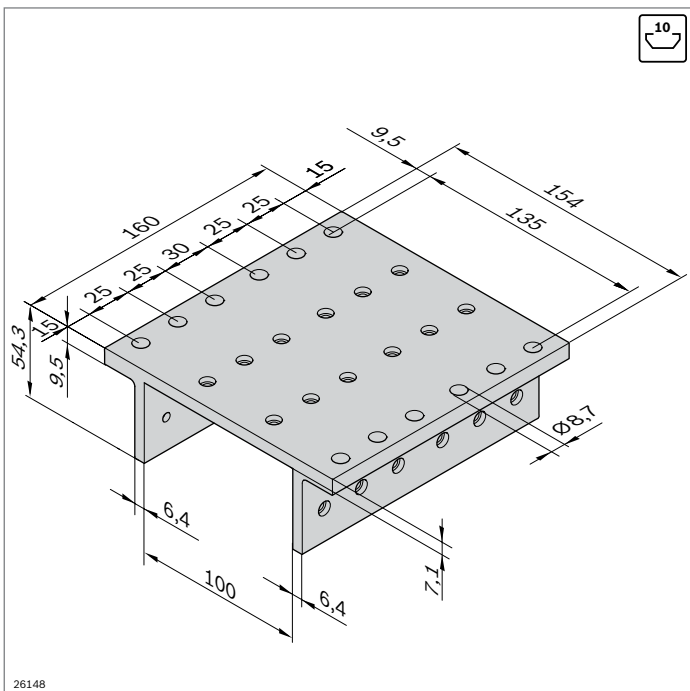
Trolley 45x90x80	No.
	1 <b>8 981 535 325</b>

Material: aluminum, anodized

#### Accessories

	No.		Qty.	Qty.	Page
Slider, slot 10 mm flat	10	<b>3 842 530 329</b>	4	3	12-13
Slider, slot 10 mm flat lockable	1	<b>3 842 552 424</b>	—	1	12-11
Compensation washer Slot 10 mm	4	<b>8 981 535 890</b>	X <sup>1)</sup>	X <sup>1)</sup>	12-12
Screw W1452 - 4x18 - 10.9	10	<b>3 842 552 422</b>	12	11	12-12
Clamping lever, 20 mm	1	<b>3 842 516 846</b>	—	1	4-11
Sliding block Slot 10 mm; M8	100	<b>3 842 528 735</b>	—	1	3-7

<sup>1)</sup> If required



### EcoSlide 45x90x160

- ▶ For use with profile width 90 mm
- ▶ Maximum sliding speed: 12 m/min

Trolley 45x90x160	No.
	1 <b>8 981 535 326</b>

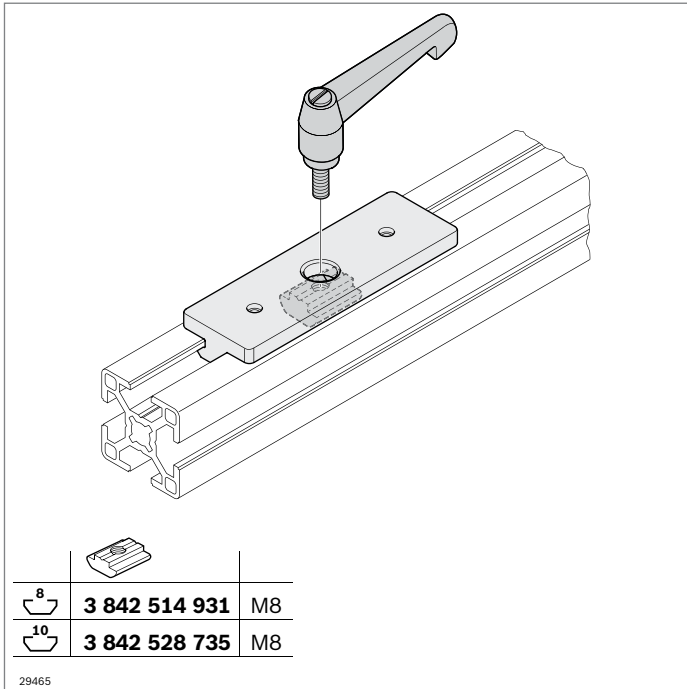
Material: aluminum, anodized

#### Accessories

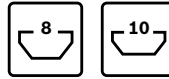
	No.		Qty.	Qty.	Page
Slider, slot 10 mm flat	10	<b>3 842 530 329</b>	8	7	12-13
Slider, slot 10 mm flat lockable	1	<b>3 842 552 424</b>	—	1	12-11
Compensation washer Slot 10 mm	4	<b>8 981 535 890</b>	X <sup>1)</sup>	X <sup>1)</sup>	12-12
Screw W1452 - 4x18 - 10.9	10	<b>3 842 552 422</b>	24	23	12-12
Clamping lever, 20 mm	1	<b>3 842 516 846</b>	—	1	4-11
Sliding block Slot 10 mm; M8	100	<b>3 842 528 735</b>	—	1	3-7

<sup>1)</sup> If required





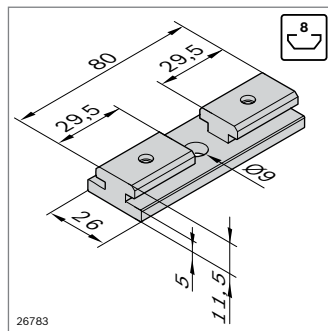
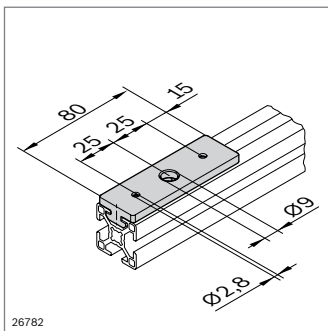
### Slider, flat lockable




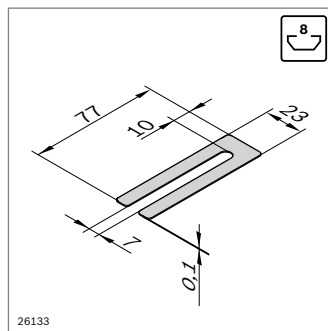
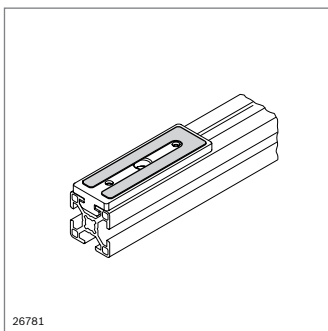
- ▶ Suitable for clamping using a sliding block and a clamping lever
- ▶ For constructing low-wear guides


Accessories:

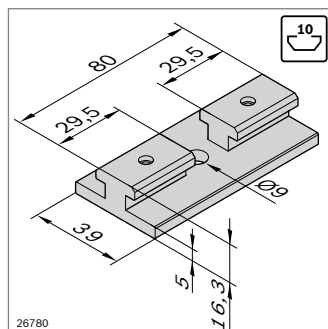
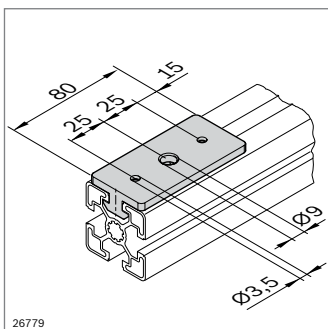
- ▶ Sliding blocks (p. 3-7)
- ▶ Clamping element (p. 4-11)




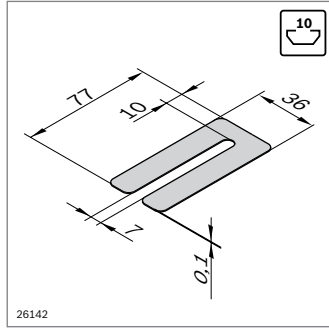
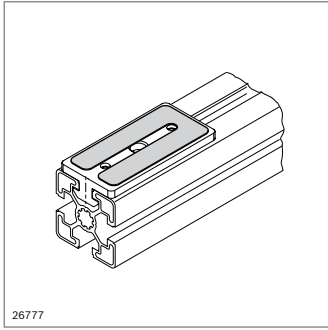
Slider, flat lockable	Slot		No.
	8	1	<b>3 842 552 423</b>
Material:	POM; natural		
Accessories:	Sliding block, T-nut, slot 8 (M8), 3 842 514 931, p. 3-7		



Spacer washer	Slot		No.
77x23	8	4	<b>8 981 535 891</b>
Material:	steel, plain		




Slider, flat lockable	Slot		No.
	10	1	<b>3 842 552 424</b>
Material:	POM; natural		
Accessories:	Sliding block, T-nut, slot 10 (M8), 3 842 528 735, p. 3-7		



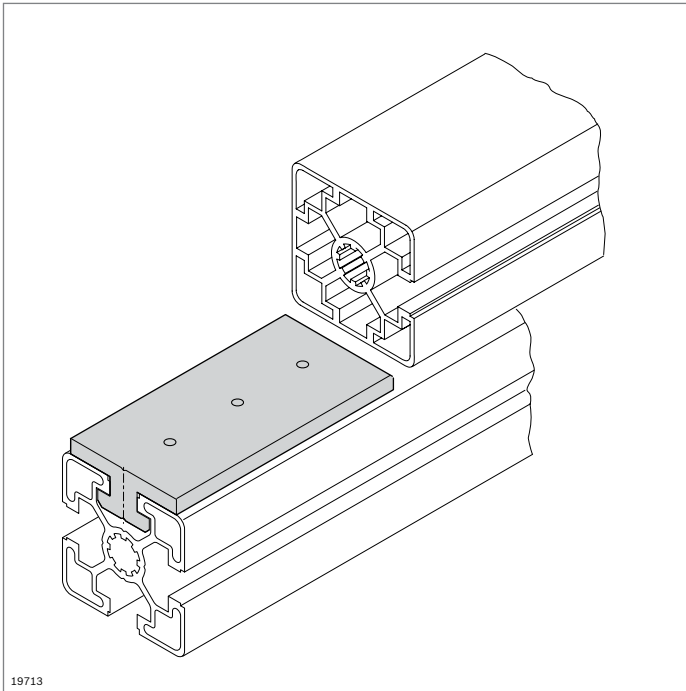
<b>Spacer washer</b>	<b>Slot</b>		<b>No.</b>
77x36	10	4	<b>8 981 535 890</b>

Material: steel, plain



<b>Plastic self-tapping screw</b>	<b>Slot</b>		<b>No.</b>
W1451 - 3.5x14 - 10.9	8	10	<b>3 842 552 421</b>
W1452 - 4x18 - 10.9	10	10	<b>3 842 552 422</b>

Material: steel; galvanized



## Slider for profiles

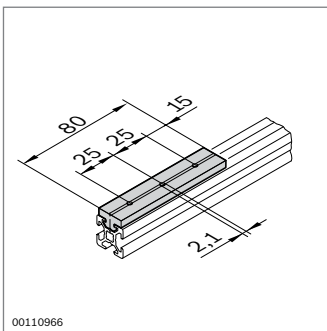


### Slider

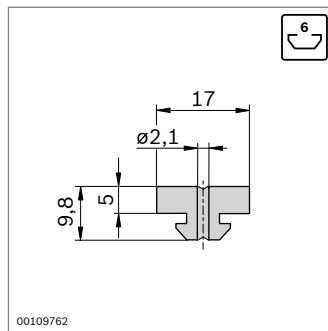
- For the construction of low-wear guides, e.g. for manual sliding and sliding and lifting doors, as well as drawer slides

Optional accessories:

Sheet metal screws for fastening the slider in a profile slot



00110966



00109762

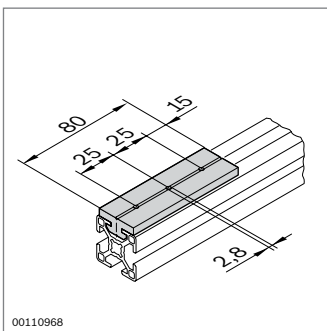
### Slider, flat



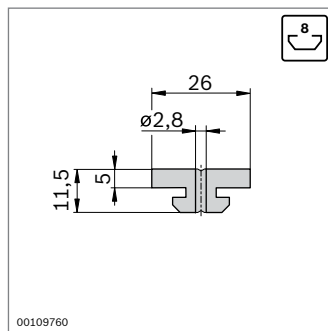
No.

10 **3 842 523 213**

Material: POM; natural



00110968



00109760

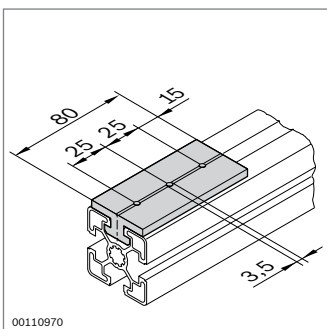
### Slider, flat



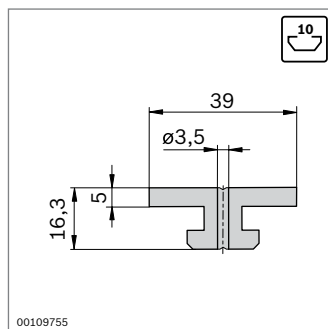
No.

10 **3 842 523 212**

Material: POM; natural



00110970



00109755

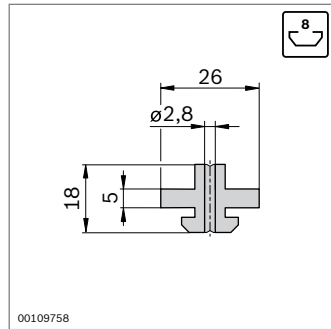
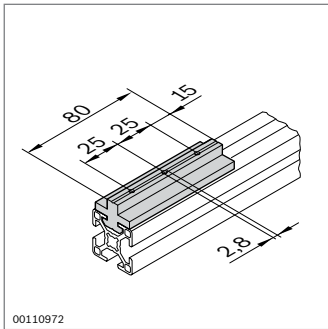
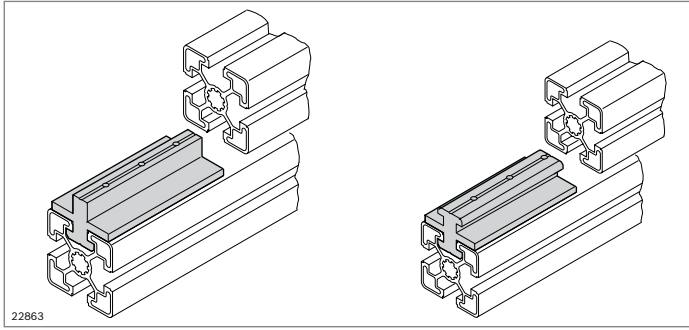
### Slider, flat



No.

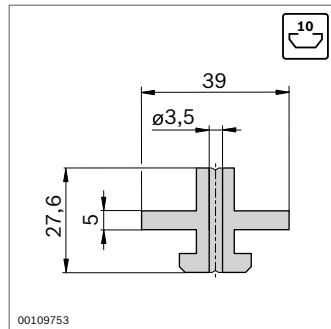
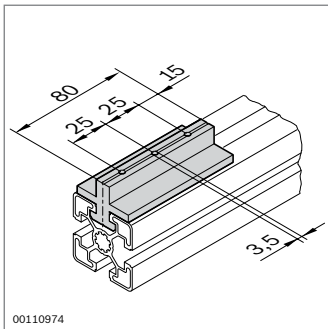
10 **3 842 530 329**

Material: POM; natural



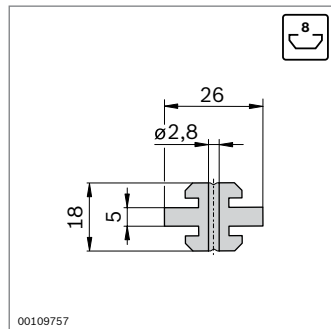
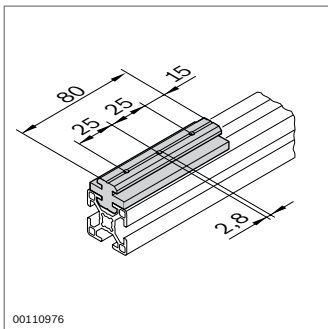
Slider, center	No.
	10 3 842 523 210

Material: POM; natural



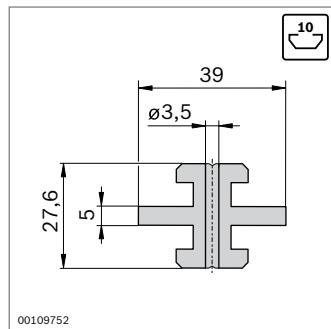
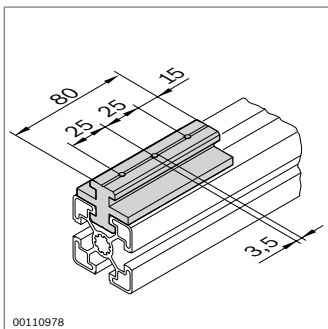
Slider, center	No.
	10 3 842 523 206

Material: POM; natural



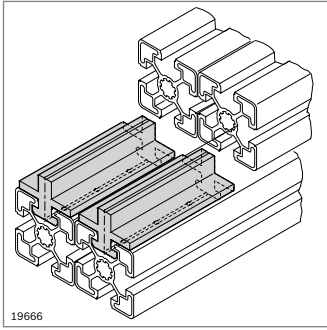
Slider, center	No.
	10 3 842 523 209

Material: POM; natural



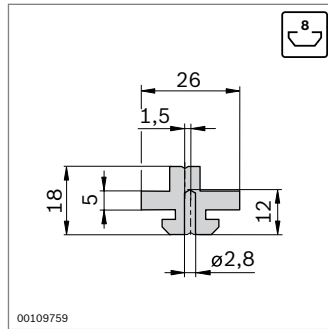
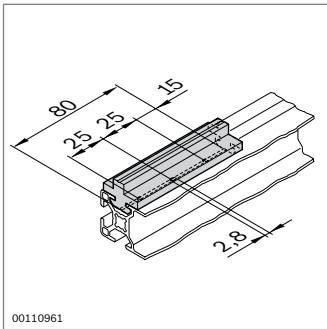
Slider, center	No.
	10 3 842 523 205

Material: POM; natural



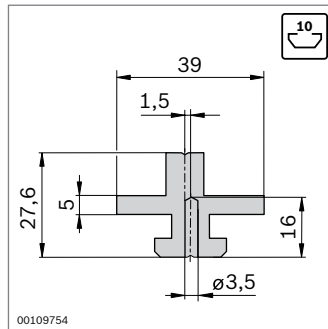
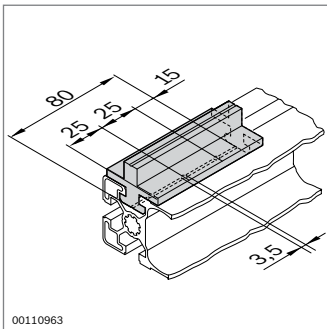
**Offset sliders**

► For constructing multiple sliding doors



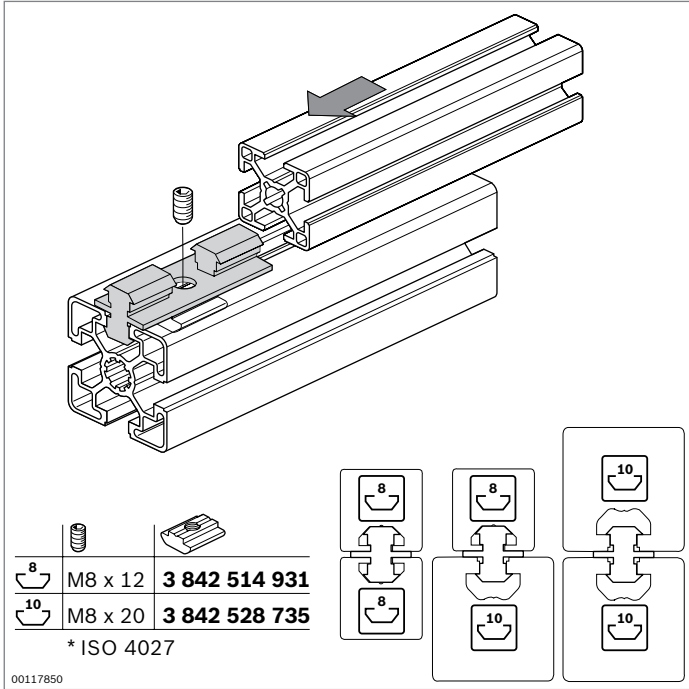
Slider, offset	No.
	10 <b>3 842 523 211</b>

Material: POM; natural

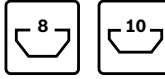


Slider, offset	No.
	10 <b>3 842 523 207</b>

Material: POM; natural



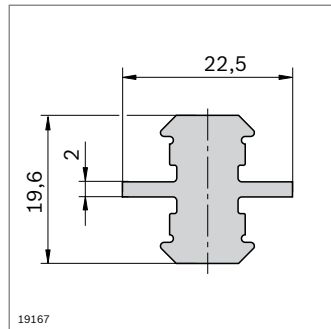
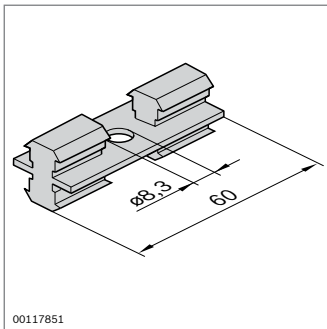
## Multi-sliders



- ▶ Multi-slider for constructing low-wear guides
- ▶ Suitable for all profiles with 8 mm and 10 mm slot widths
- ▶ Combination of profiles with different slot widths possible

Accessories:

grub screws (ISO 4027) and sliding blocks (p. 3-7) for fastening the slider in the profile slot



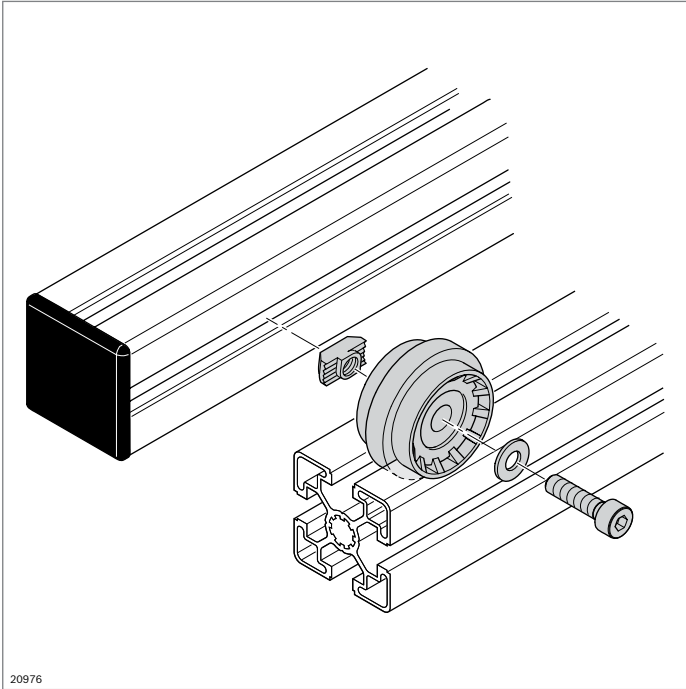
### Multi-slider 8/10



No.

10 **3 842 513 517**

Material: POM; natural

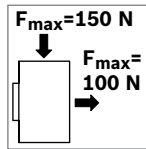
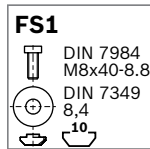
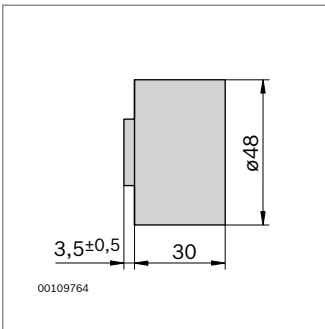


20976

## Support wheels

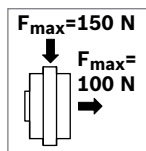
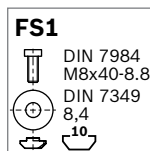
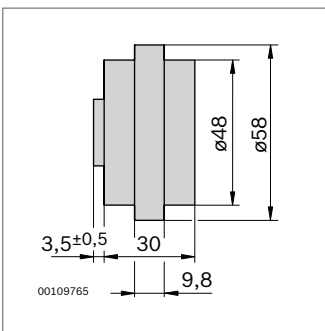


- ▶ Support wheel for constructing trolleys or roller sections
- ▶ Mounted on profiles with 10 mm slot
- ▶ Good running characteristics thanks to deep-groove ball bearing with large diameter
- ▶ Support wheel with rim can be guided in 10 mm slot
- ▶ ESD-conductive



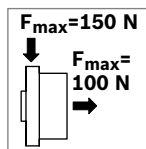
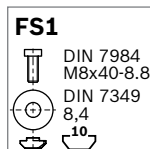
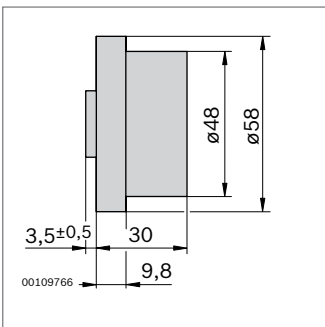
Support wheel	ESD	No.	FS
		10	FS1

Material: Vestamid; black  
 Fastening material: steel; galvanized  
 Scope of delivery: incl. fastening material (FS)



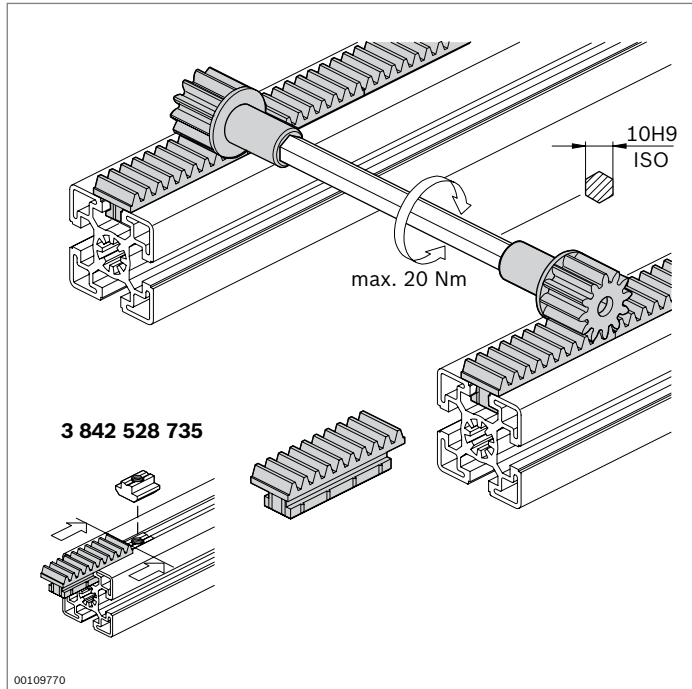
Support wheels with center rim	ESD	No.	FS
		10	FS1

Material: Vestamid; black  
 Fastening material: steel; galvanized  
 Scope of delivery: incl. fastening material (FS)



Support wheels with side rim	ESD	No.	FS
		10	FS1

Material: Vestamid; black  
 Fastening material: steel; galvanized  
 Scope of delivery: incl. fastening material (FS)



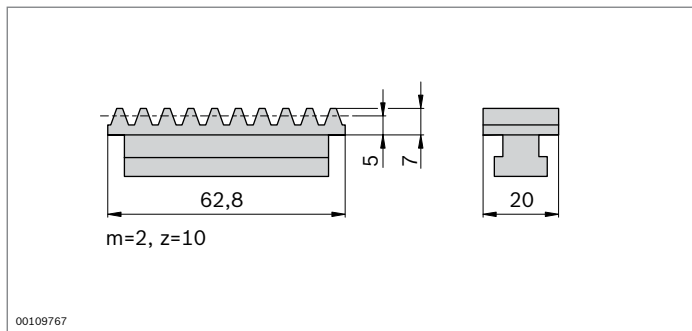
## Rack pinion



- For constructing synchronous shafts to prevent tilting in the case of large guide widths

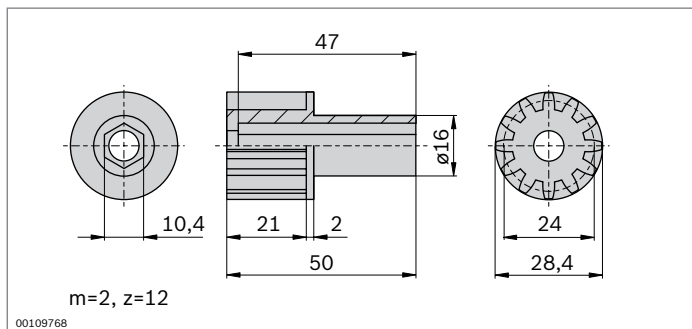
Required accessories:

- standard commercially available hexagonal shaft 10H9
- sliding block for securing the rack in the slot (p. 3-7)



Rack	No.
10	<b>3 842 501 578</b>

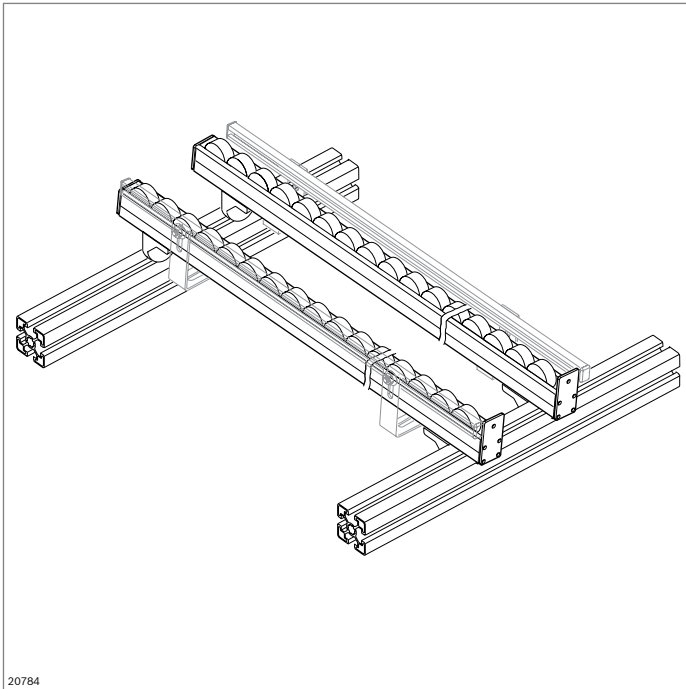
Material: PA; black



Pinion	No.
	<b>3 842 501 576</b>

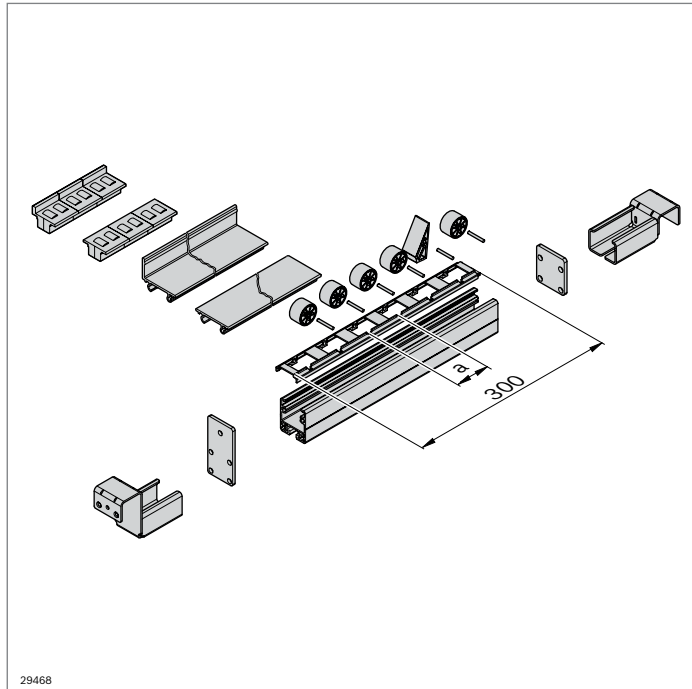
Material: POM, white





## Elements for the construction of conveyor sections

- ▶ Assembly elements for constructing manual conveyor sections
- ▶ Various clip-in conveyor media, with and without lateral guide
- ▶ Standard slots as attachment interface
- ▶ EcoFlow for manual linking of workstations



## Conveyor track Lean

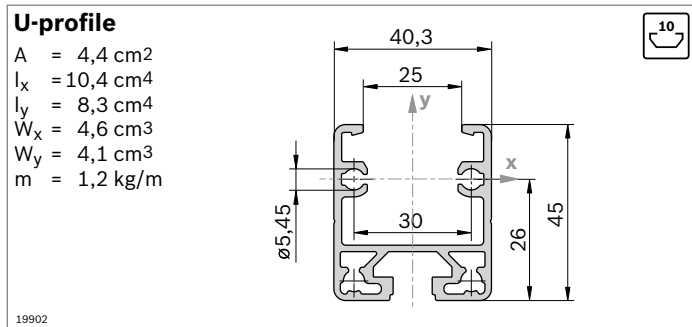


- ▶ Components for constructing manual conveyor sections
- ▶ Based on multi-functional U-profile
- ▶ Clip-in conveyor elements for all requirements:
  - rollers with or without flange; 4 colors to visually identify inventories (kanban) or to differentiate between good and reject parts
  - Slide rails with or without integrated lateral guide (GSSK, GS)
  - roller elements with and without flange (RE45SK, RE45)

Accessories:

Round tube D28 (p. 2-70)

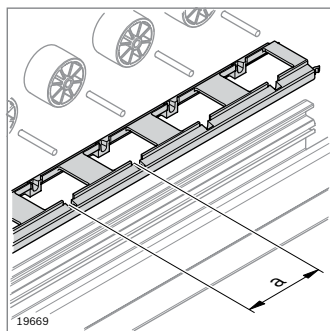
- ▶ U-profile with 10 mm slot



U-profile	L (mm)	ESD	No.
1 pcs	30 ... 6000		<b>3 842 993 316 / L</b>
20 pcs	6070		<b>3 842 535 115</b>
1 pcs	30 ... 6000	⚡	<b>3 842 995 027 / L</b>
20 pcs	6070	⚡	<b>3 842 541 814</b>

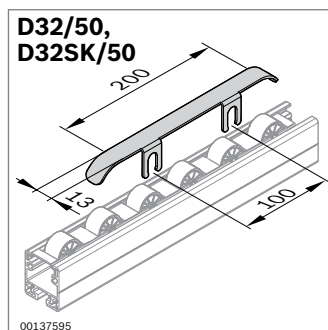
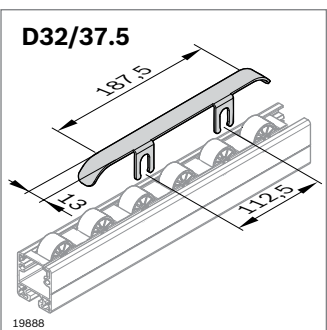
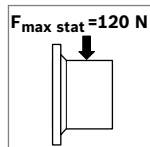
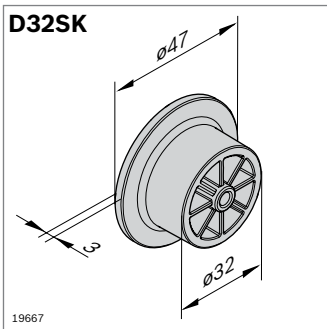
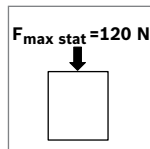
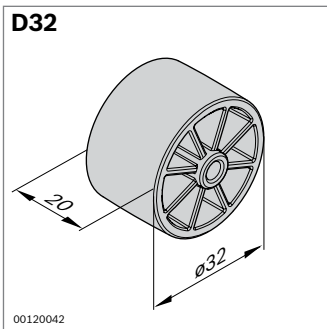
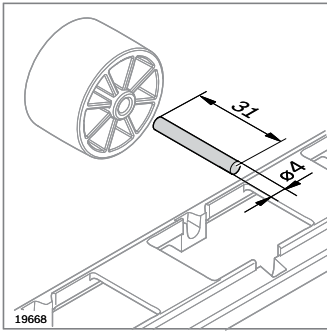
Material: U-profile: aluminum, anodized  
U-profile ESD: aluminum, untreated

- ▶ Roller carrier for rollers D32 and D32SK (p. 12-21)



Roller carrier	a (mm)	ESD	No.
<b>D32/37.5</b>	37,5		<b>3 842 537 944</b>
		⚡	<b>3 842 537 945</b>
<b>D32/50</b>	50		<b>3 842 532 887</b>
		⚡	<b>3 842 538 094</b>
<b>D 32SK/50</b>	50		<b>3 842 532 886</b>
		⚡	<b>3 842 537 947</b>

Material: ABS



► Steel axis for rollers D32, D32SK

Steel axis	ESD	No.
	100	<b>3 842 532 862</b>

Material: steel, stainless

Roller	ESD	No.
<b>D32</b> black		100 <b>3 842 532 865</b>
	⚠	100 <b>3 842 537 961</b>
red		100 <b>3 842 532 866</b>
	⚠	100 <b>3 842 537 960</b>
yellow		100 <b>3 842 532 870</b>
	⚠	100 <b>3 842 537 959</b>
green		100 <b>3 842 532 752</b>
	⚠	100 <b>3 842 537 958</b>

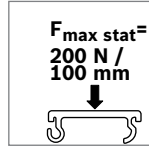
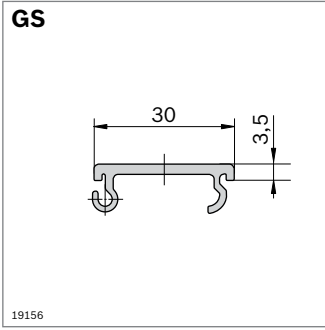
Material: PE, colored / ESD made of PA, colored

Roller	ESD	No.
<b>D32SK</b> black		100 <b>3 842 532 867</b>
	⚠	100 <b>3 842 537 965</b>
red		100 <b>3 842 532 883</b>
	⚠	100 <b>3 842 537 964</b>
yellow		100 <b>3 842 532 884</b>
	⚠	100 <b>3 842 537 963</b>
green		100 <b>3 842 532 880</b>
	⚠	100 <b>3 842 537 962</b>

Material: PE, colored / ESD made of PA, colored

Brake	ESD	No.
<b>D32/37.5</b>	⚠	20 <b>3 842 537 948</b>
<b>D32/50, D32SK/50</b>	⚠	20 <b>3 842 532 881</b>

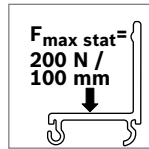
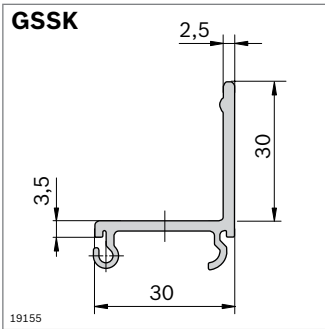
Material: steel; galvanized



- ▶ Slide rail GS for constructing conveyor tracks with large gradients
- ▶ Slide rail for use with heavy containers

Slide rail	L (mm)	ESD	No.
GS	3000	20	3 842 535 124
	3000		20 3 842 537 803

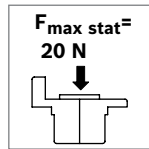
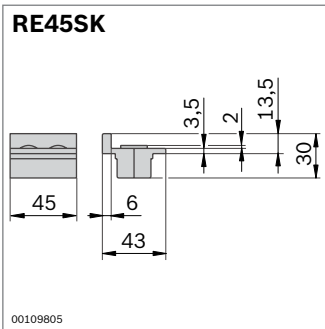
Material: PVC, gray / ESD in black



- ▶ Slide rail with lateral guide GSSK for constructing conveyor tracks with large gradients
- ▶ Slide rail for use with heavy containers

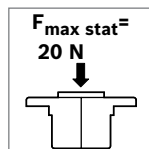
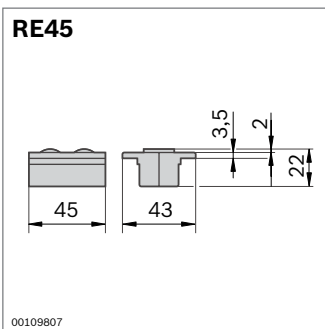
Slide rail	L (mm)	ESD	No.
GSSK	3000	20	3 842 537 806
	3000		20 3 842 537 807

Material: PVC, gray / ESD in black



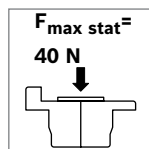
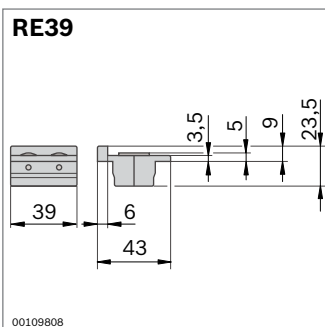
Roller element	ESD	No.
RE45SK	100	3 842 319 500
		100 3 842 538 065

Material: PA; black



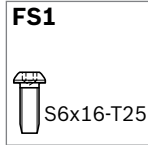
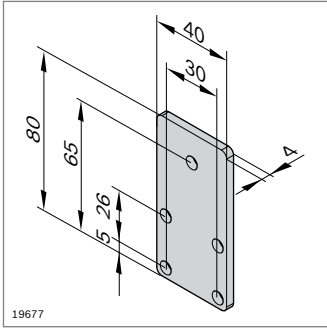
Roller element	ESD	No.
RE45	100	3 842 319 501
		100 3 842 538 064

Material: PA; black



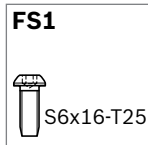
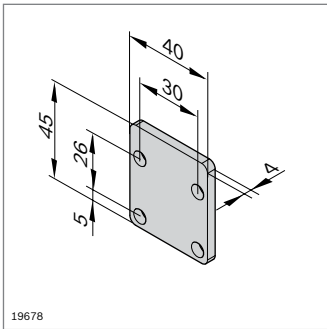
Roller element	ESD	No.
RE39	10	3 842 520 000
		10 3 842 538 245

Material: PA; black



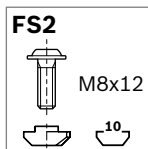
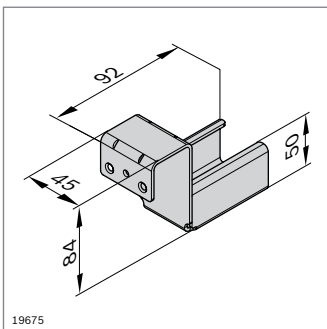
Stop plate with stop	ESD	No.	FS
<b>40x80</b>		20 <b>3 842 535 121</b>	4xFS1

Material: steel; galvanized  
 Scope of delivery: incl. fastening material (FS)



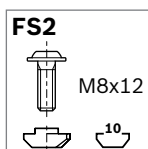
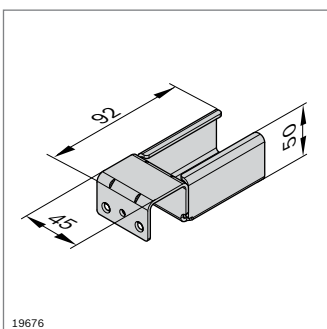
Stop plate without stop	ESD	No.	FS
<b>40x45</b>		20 <b>3 842 535 122</b>	4xFS1

Material: steel; galvanized  
 Scope of delivery: incl. fastening material (FS)



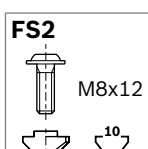
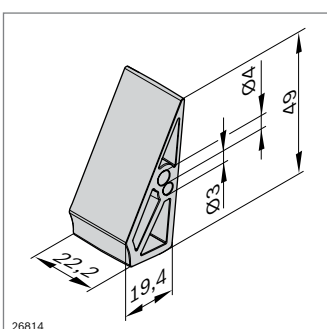
Rail holder with stop	ESD	No.	FS
		20 <b>3 842 537 660</b>	FS2

Material: steel; galvanized  
 Scope of delivery: incl. fastening material (FS)



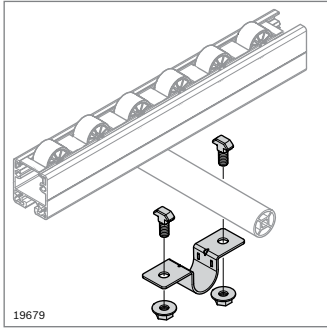
Rail holder without stop	ESD	No.	FS
		20 <b>3 842 537 661</b>	FS2

Material: steel; galvanized  
 Scope of delivery: incl. fastening material (FS)






Stopper XLean/Lean	ESD	No.	FS
		10 <b>3 842 552 151</b>	FS2

Material: PP  
 Fastening material: steel; galvanized  
 Scope of delivery: incl. fastening material (FS)

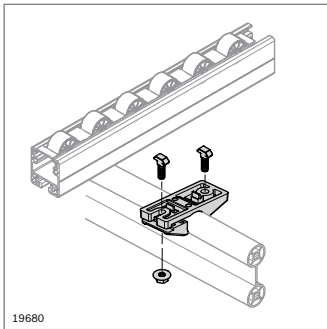


**FS3**



 HS10-  
M8x20  
 M8


Tube clamp D28		No.	FS
	20	<b>3 842 535 364</b>	2xFS3

Material: steel; galvanized  
 Scope of delivery: incl. fastening material (FS)

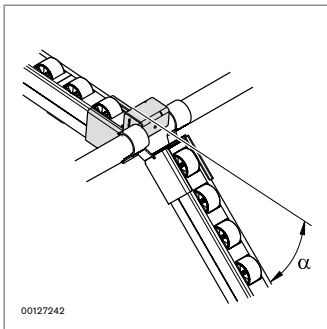


**FS4**



 HS10-  
M8x30  
 EN 1661-  
M8-8.8

Holder for strut profile D28x55		No.	FS
	20	<b>3 842 537 720</b>	2xFS4


Material: steel; galvanized  
 Scope of delivery: incl. fastening material (FS)



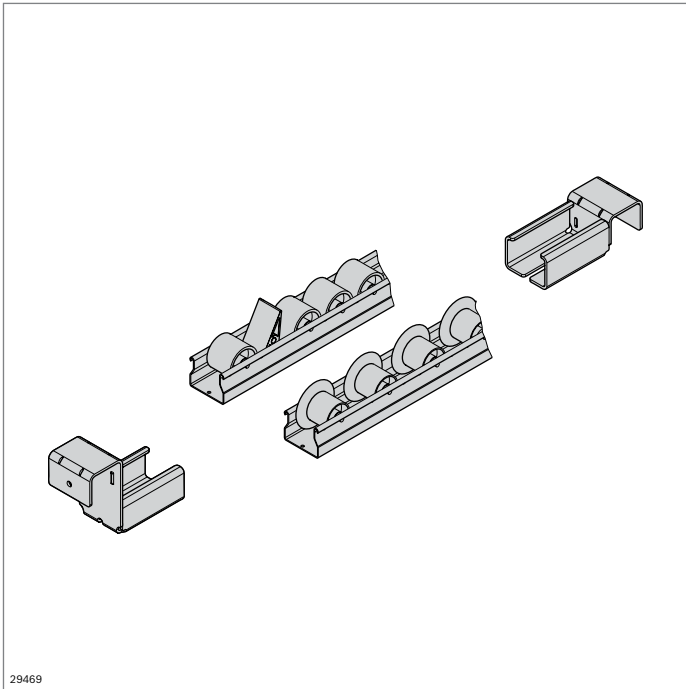
**FS5**

 M8x12-  
10.9-VZ  
 10

- Flexible bridge with maximum tilt ( $\alpha_{max}$ ) from horizontal:
- with round tube D28 (p. 2-70):  $\alpha_{max} = 40^\circ$
  - with strut profile D28x55 (p. 2-71):  $\alpha_{max} = 30^\circ$

Flexible bridge		No.	FS
	20	<b>3 842 537 951</b>	FS5

Material: steel; galvanized



29469

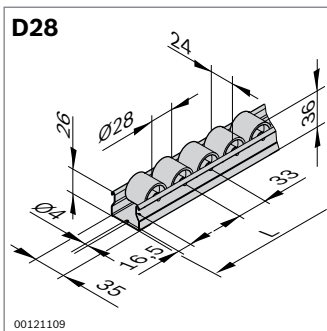
## Conveyor track XLean



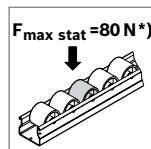
- ▶ Conveyor track made of steel profiles with plastic rollers and optional roller flange
- ▶ Available as ESD-conductive version.
- ▶ Self-supporting roller section
- ▶ Roller section with drill holes for fastening

Accessories:

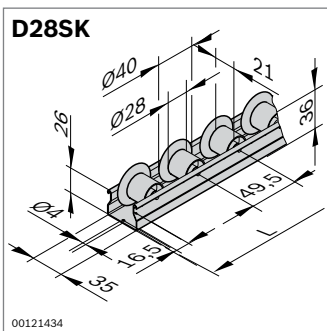
Round tube D28 (p. 2-70)



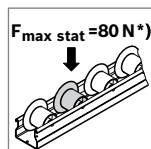
00121109



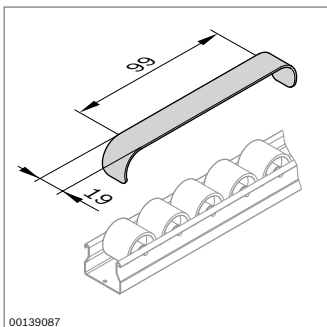
\* per roller



00121434



\* per roller



00139087

Roller section	L (mm)	ESD	No.
<b>D28</b>	100 ... 4500	1	<b>3 842 993 321 / L</b>
	4500	50	<b>3 842 537 776</b>
	100 ... 4500		<b>3 842 993 431 / L</b>
	4500		<b>3 842 537 778</b>

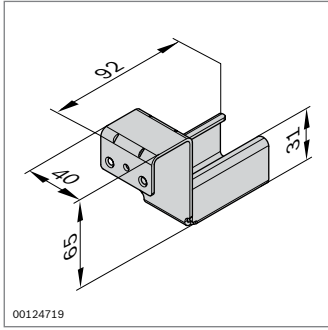
Material: Rail: steel, galvanized  
Roller: PP

Roller section	L (mm)	ESD	No.
<b>D28SK</b>	100 ... 4500	1	<b>3 842 993 322 / L</b>
	4500	50	<b>3 842 537 777</b>
	100 ... 4500		<b>3 842 993 432 / L</b>
	4500		<b>3 842 537 779</b>

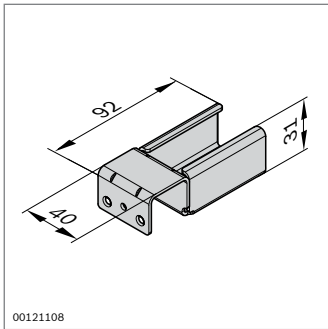
Material: Rail: steel, galvanized  
Roller: PP

Brake	No.
	<b>20 3 842 532 871</b>

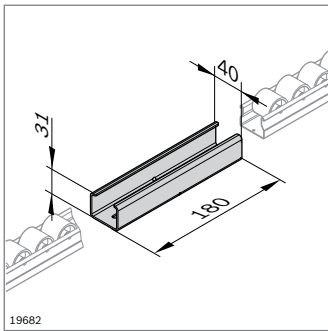
Material: Spring steel



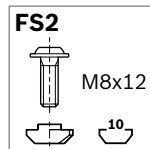
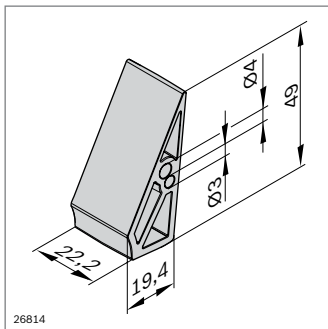
<b>Rail holder with stop</b>			<b>No.</b>
		20	<b>3 842 538 372</b>
Material:	steel; galvanized		



<b>Rail holder without stop</b>			<b>No.</b>
		20	<b>3 842 537 687</b>
Material:	steel; galvanized		

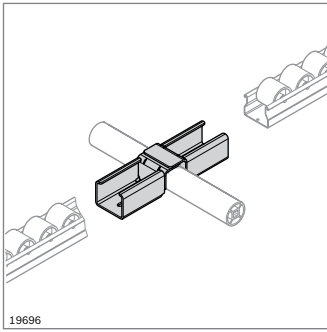


<b>Section link</b>			<b>No.</b>
		20	<b>3 842 536 722</b>
Material:	steel; galvanized		



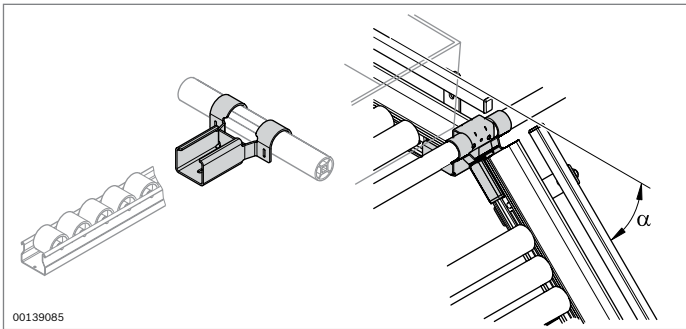
<b>Stopper XLean/Lean</b>		<b>ESD</b>		<b>No.</b>	<b>FS</b>
			10	<b>3 842 552 151</b>	FS2
Material:	PP				
	Fastening material: steel; galvanized				
Scope of delivery:	incl. fastening material (FS)				





Bridge		No.
		20 <b>3 842 536 724</b>

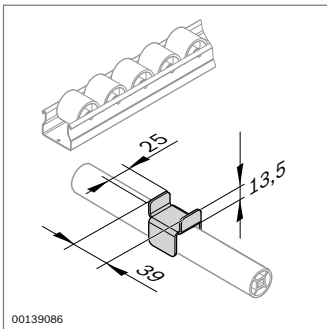
Material: steel; galvanized



- Flexible bridge with maximum tilt ( $\alpha_{\max}$ ) from horizontal:
- with round tube D28 (p. 2-70):  $\alpha_{\max} = 40^\circ$
  - with strut profile D28x55 (p. 2-71):  $\alpha_{\max} = 30^\circ$

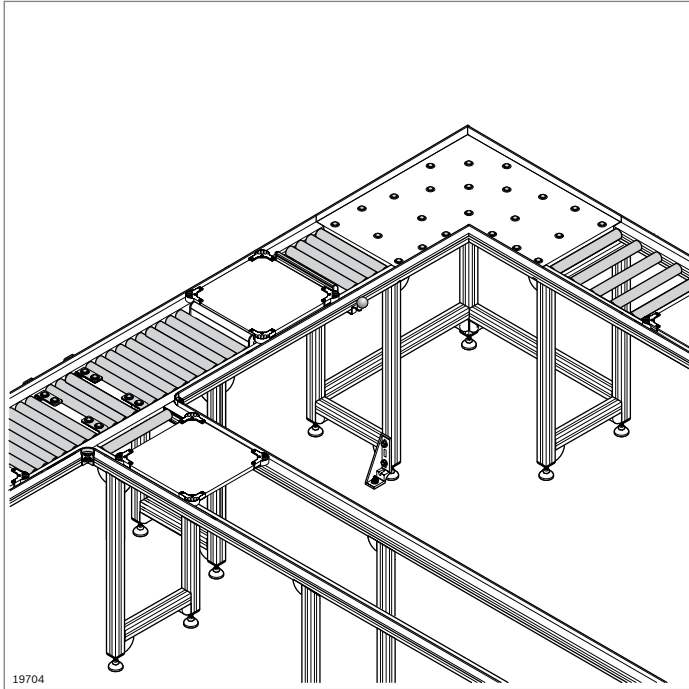
Flexible bridge		No.
		20 <b>3 842 537 911</b>

Material: steel; galvanized



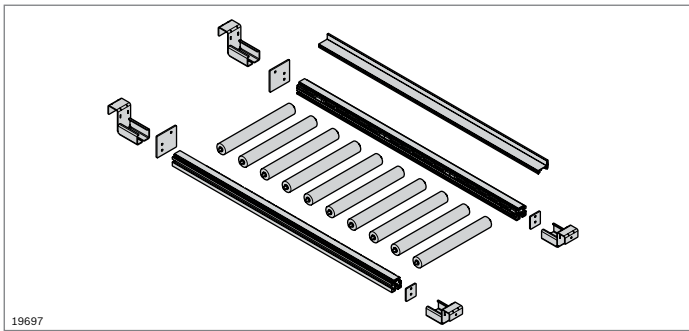
Mounting		No.
		20 <b>3 842 537 657</b>

Material: steel; galvanized



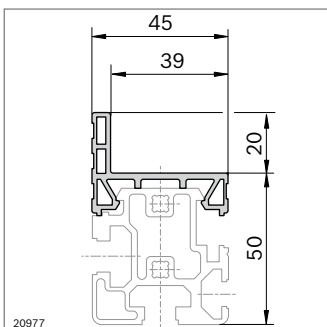
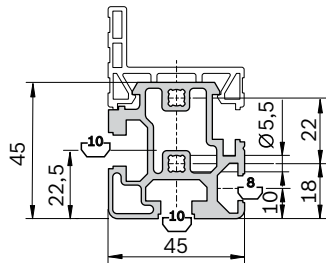
### EcoFlow conveyor track

- ▶ Based on EcoFlow section profile
- ▶ For manual slide sections with rollers
- ▶ Clip-in guide profiles with lateral guide and clip-in conveyor rollers



#### MV45x45

$A = 6,2 \text{ cm}^2$   
 $I_x = 11,8 \text{ cm}^4$   
 $I_y = 10,5 \text{ cm}^4$   
 $W_x = 5,3 \text{ cm}^3$   
 $W_y = 4,7 \text{ cm}^3$   
 $m = 1,7 \text{ kg/m}$

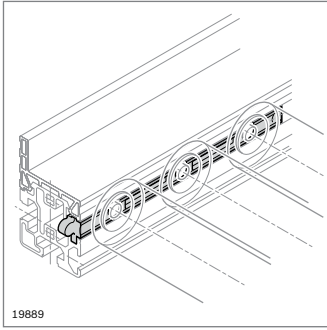


Section profile MV45x45		L (mm)	No.
1 pcs		30 ... 6070	<b>3 842 993 029 / L</b>
20 pcs		6070	<b>3 842 537 321</b>

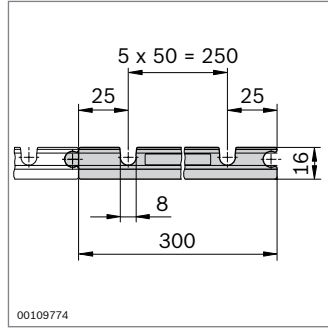
Material: aluminum, anodized

Guide profile MV45		L (mm)	ESD		No.
30 ... 3000		3000	1		<b>3 842 993 511 / L</b>
3000		3000	10		<b>3 842 525 443</b>
30 ... 3000		3000	1		<b>3 842 993 512 / L</b>
3000		3000	10		<b>3 842 526 034</b>

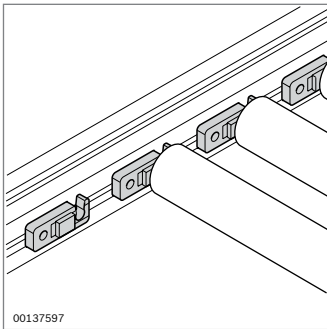
Material: PVC



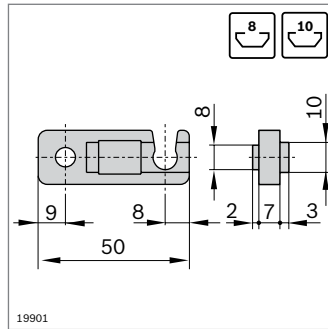
19889



00109774



00137597



19901

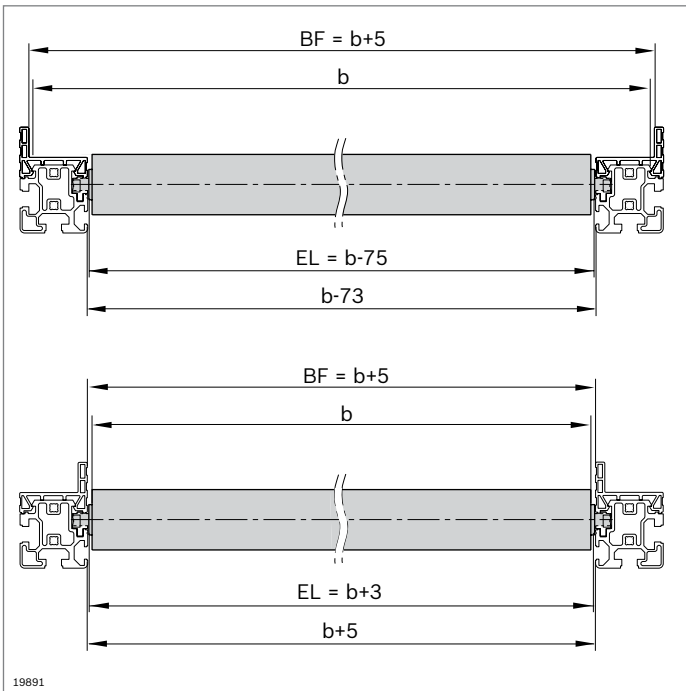
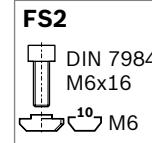
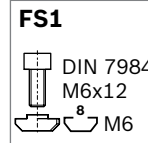
EcoFlow roller carrier	ESD	No.
	10	<b>3 842 535 683</b>

Material: ABS; black

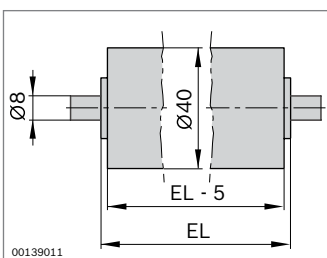
Roller mount	Slot	No.	FS
	8	10	<b>3 842 535 667</b> FS1
	10	10	<b>3 842 535 668</b> FS2

Material: Roller mount: PA6, black  
Fastening material: steel; galvanized

Scope of delivery: incl. fastening material (FS)

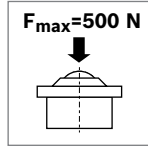
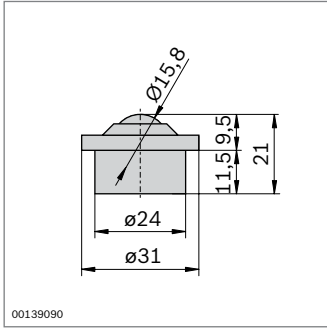


19891



00139011

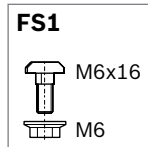
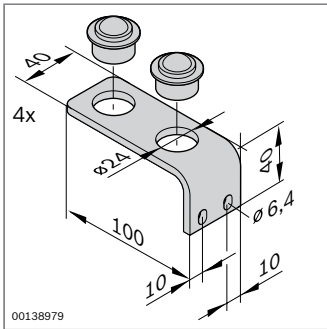
EcoFlow roller	F <sub>max</sub> (N)	EL (mm)	ESD	No.
Plastic, gray	150	105 ... 605		<b>3 842 994 989 / L</b>
		225		<b>3 842 525 740</b>
		325		<b>3 842 525 741</b>
		425		<b>3 842 525 742</b>
		525		<b>3 842 537 164</b>
steel; galvanized	500	105 ... 1005		<b>3 842 994 988 / L</b>
		225		<b>3 842 525 737</b>
		325		<b>3 842 525 738</b>
		425		<b>3 842 525 739</b>
		525		<b>3 842 537 163</b>
Stainless steel	150	105 ... 1005		<b>3 842 995 008 / L</b>



► Ball roller for smooth manual movement of goods with large-surfaces

Ball roller	ESD	No.
		20 <b>3 842 541 008</b>

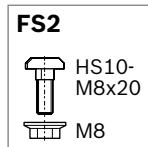
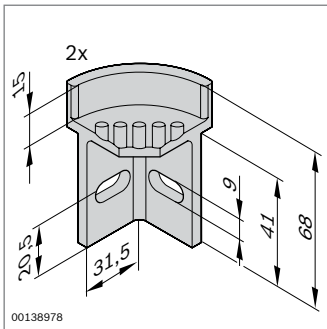
Material: Housing: steel; galvanized  
Ball: Stainless steel



Transverse conveyor	ESD	No.	FS
		Set <b>3 842 536 055</b>	8xFS1

Material: Bracket: steel; galvanized  
Ball: Stainless steel

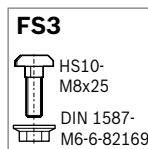
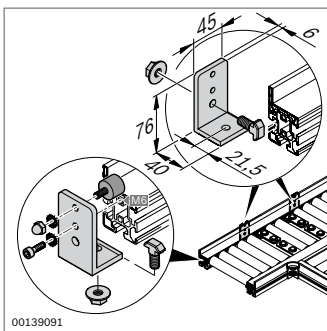
Scope of delivery: incl. 4 x bracket plate, fastening material (FS) for 10 mm slot



Corner piece	ESD	No.	FS
		Set <b>3 842 536 056</b>	4xFS2

Material: PA; black, ESD-conductive

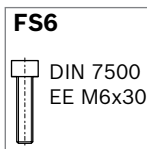
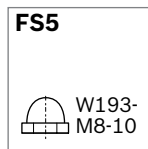
Scope of delivery: incl. 2 x corner piece, fastening material (FS) for 10 mm slot

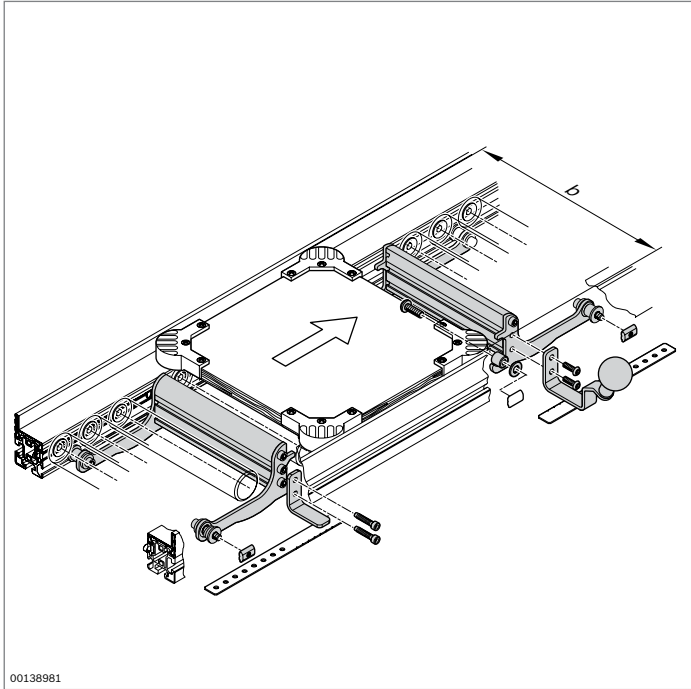


Stop	No.	FS
	Set <b>3 842 536 057</b>	2xFS3, 4xFS4, 2xFS5 2xFS6

Material: aluminum, anodized

Scope of delivery: incl. 2 x stop, fastening material (FS)

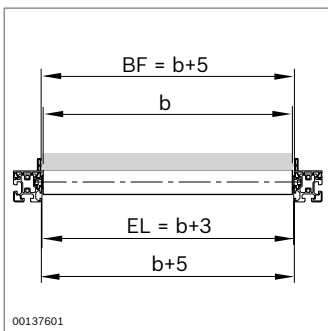
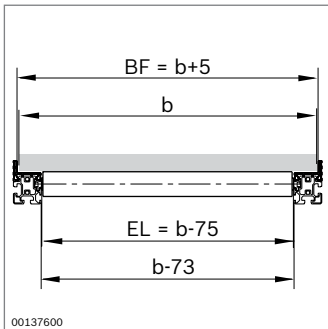




## EcoFlow stop gates and return stops



- ▶ Stop gate and return stop for positioning workpiece pallets or containers
- ▶ At the planning stage remember to leave sufficient leg room. The stop gate and return stop extend downwards by an additional 45 mm
- ▶ We recommend using a workpiece pallet with corner pieces (p. 12-32) to provide a defined stopping mechanism

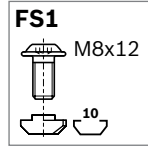
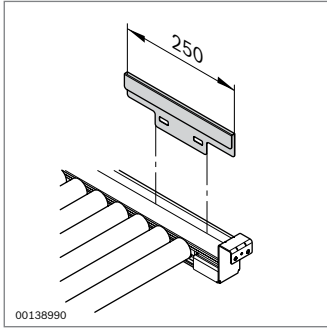


Stop gate	EL (mm)	No.
	105 ... 1005	<b>3 842 995 007 / EL</b>
	225	<b>3 842 537 894</b>
	325	<b>3 842 537 895</b>
	425	<b>3 842 537 896</b>
	525	<b>3 842 537 897</b>

Scope of delivery: Incl. fastening material

Return stop	EL (mm)	No.
	105 ... 1005	<b>3 842 995 017 / EL</b>
	225	<b>3 842 537 898</b>
	325	<b>3 842 537 899</b>
	425	<b>3 842 537 900</b>
	525	<b>3 842 537 901</b>

Scope of delivery: Incl. fastening material

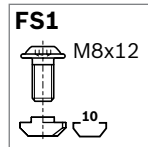
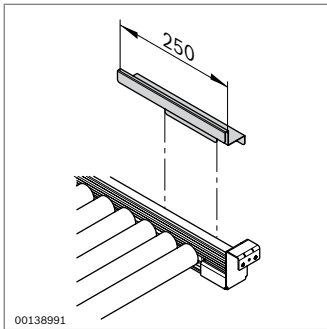


- ▶ Protective cover to protect the EcoFlow guide profile when loading the conveyor track

Protective cover		No.	FS
Outer slide rail	Set	<b>3 842 537 583</b>	4xFS1

Material: steel; galvanized

Scope of delivery: incl. 2 x protective cover, fastening material (FS)

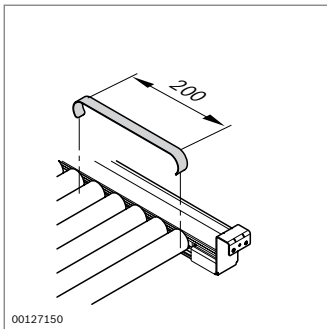


- ▶ Protective cover to protect the EcoFlow guide profile when loading the conveyor track

Protective cover		No.	FS
Inner slide rail	Set	<b>3 842 537 584</b>	4xFS1

Material: steel; galvanized

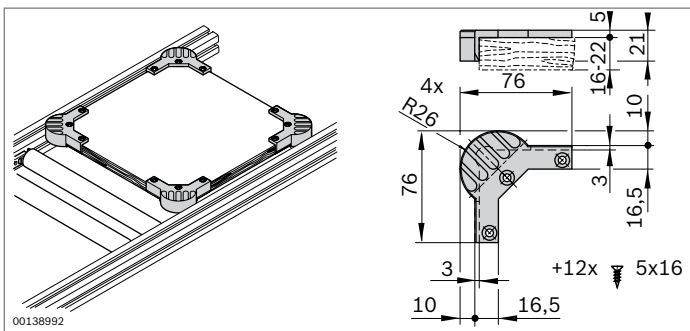
Scope of delivery: incl. 2 x protective cover, fastening material (FS)



- ▶ Brake for bringing containers to a stop gently

Brake		No.
	20	<b>3 842 537 740</b>

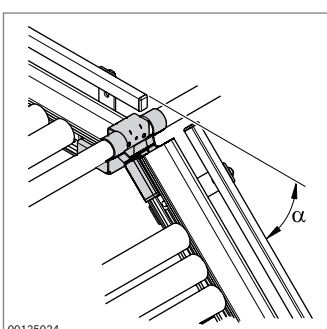
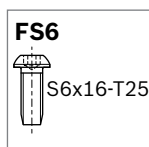
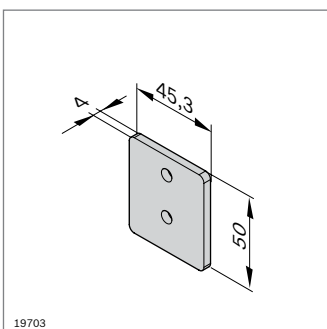
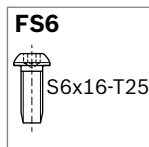
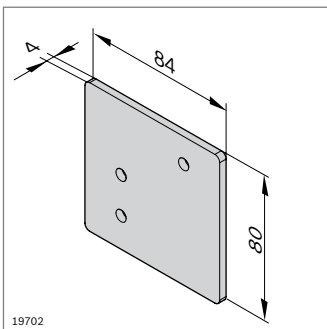
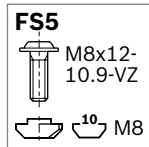
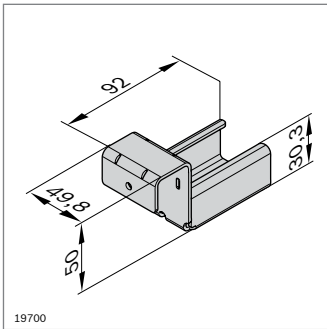
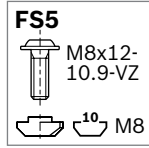
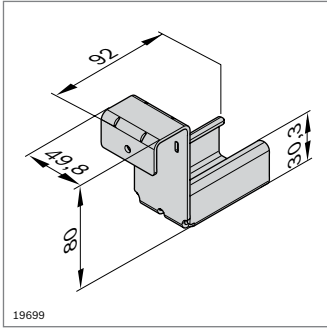
Material: steel; galvanized



- ▶ Corner pieces for assembly of workpiece pallets
- ▶ For isolating parts from the pallet queue, well-defined guidance and stopping surfaces, good transition through curves and avoidance of edges where trapping may occur

Corner pieces for workpiece pallets	ESD		No.
		Set	<b>3 842 536 054</b>

Material: PA



Rail holder with stop	No.	FS
	20	3 842 537 664 FS5

Material: steel; galvanized  
 Accessories: Round tube D28 (p. 2-70)  
 Scope of delivery: incl. fastening material (FS)

Rail holder without stop	No.	FS
	20	3 842 537 665 FS5

Material: steel; galvanized  
 Accessories: Round tube D28 (p. 2-70)  
 Scope of delivery: incl. fastening material (FS)

Stop plate with stop	No.	FS
	20	3 842 537 593 2xFS6

Material: steel; galvanized  
 Scope of delivery: incl. fastening material (FS)

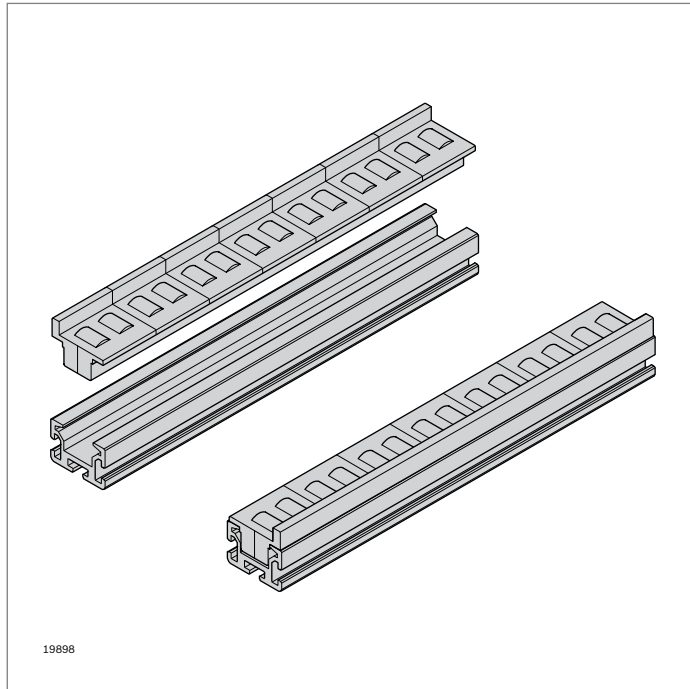
Stop plate without stop	No.	FS
	20	3 842 537 592 2xFS6

Material: steel; galvanized  
 Scope of delivery: incl. fastening material (FS)

- Flexible bridge with maximum tilt ( $\alpha_{max}$ ) from horizontal:
  - with round tube D28 (p. 2-70):  $\alpha_{max} = 40^\circ$
  - with strut profile D28x55 (p. 2-71):  $\alpha_{max} = 30^\circ$

Flexible bridge	No.
	20 3 842 537 911

Material: steel; galvanized



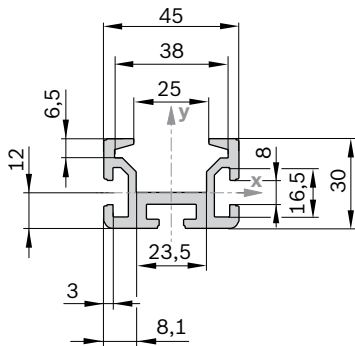
### Conveyor track made of section profiles and roller elements

- ▶ Economical solution for manual slide sections
- ▶ Roller elements can be clipped in

Accessories:  
Roller elements (p. 12-22)

#### SP 2/R

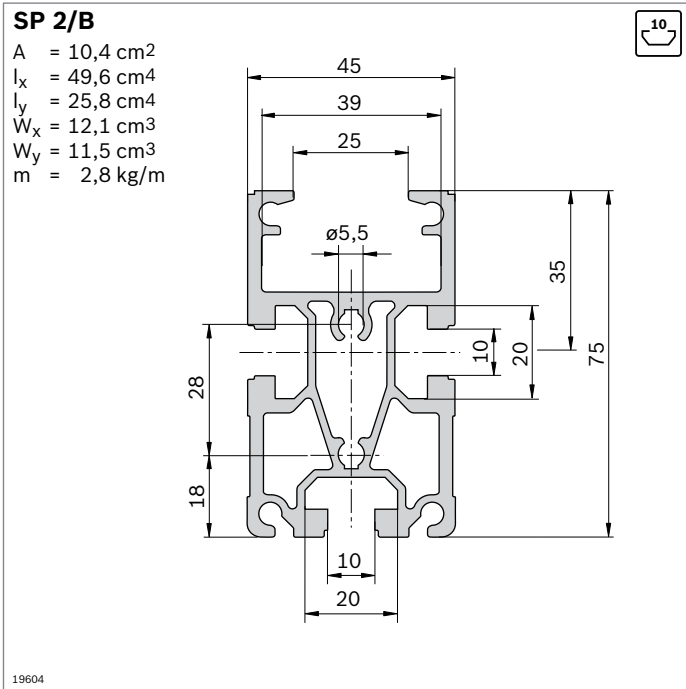
A = 5,2 cm<sup>2</sup>  
 $I_x$  = 4,3 cm<sup>4</sup>  
 $I_y$  = 11,7 cm<sup>4</sup>  
 $W_x$  = 2,4 cm<sup>3</sup>  
 $W_y$  = 5,2 cm<sup>3</sup>  
 m = 1,4 kg/m



Section profile SP 2/R	L (mm)	No.
	50 ... 6000	<b>3 842 992 676 / L</b>

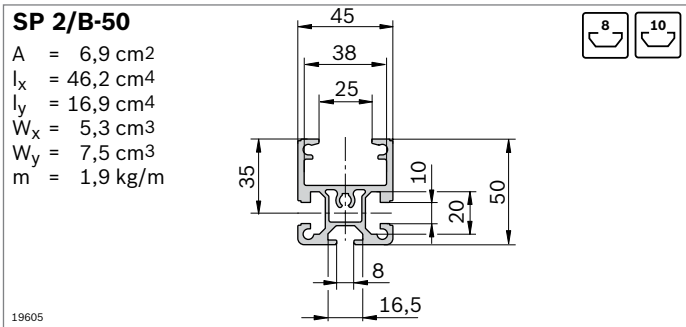
Material: aluminum, natural-colored, anodized





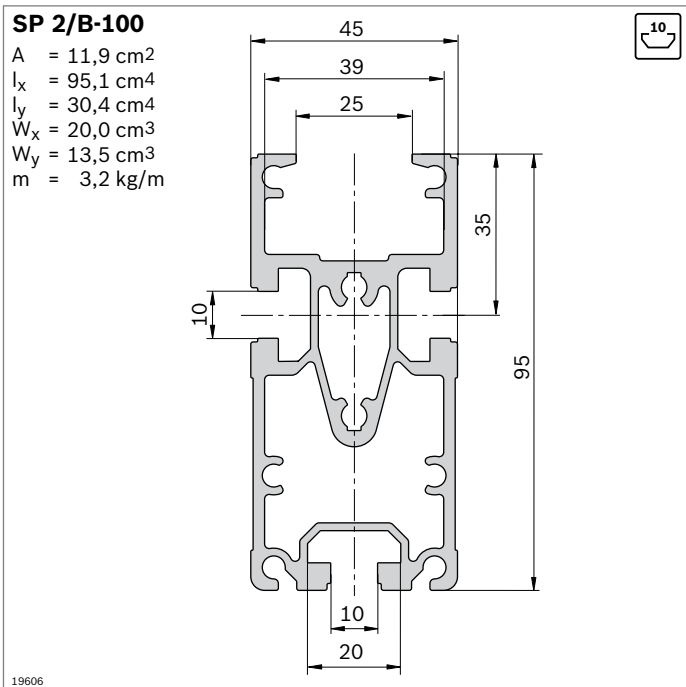
SP 2/B section profile		Slot	L (mm)	No.
1 pcs		10	200...6000	<b>3 842 992 884 / L</b>
16 pcs		10	6070	<b>3 842 532 695</b>

Material: aluminum, natural-colored, anodized  
 Accessories: QV 2 cross connector, (s. 12-43)



SP 2/B-50 section profile		Slot	L (mm)	No.
1 pcs		8 / 10	200...6000	<b>3 842 992 903 / L</b>
20 pcs		8 / 10	6070	<b>3 842 532 697</b>

Material: aluminum, natural-colored, anodized



SP 2/B-100 section profile		Slot	L (mm)	No.
1 pcs			200...6000	<b>3 842 993 259 / L</b>
16 pcs		10	6070	<b>3 842 532 608</b>

Material: aluminum, natural-colored, anodized  
 Accessories: QV 2 cross connector, (s. 12-43)

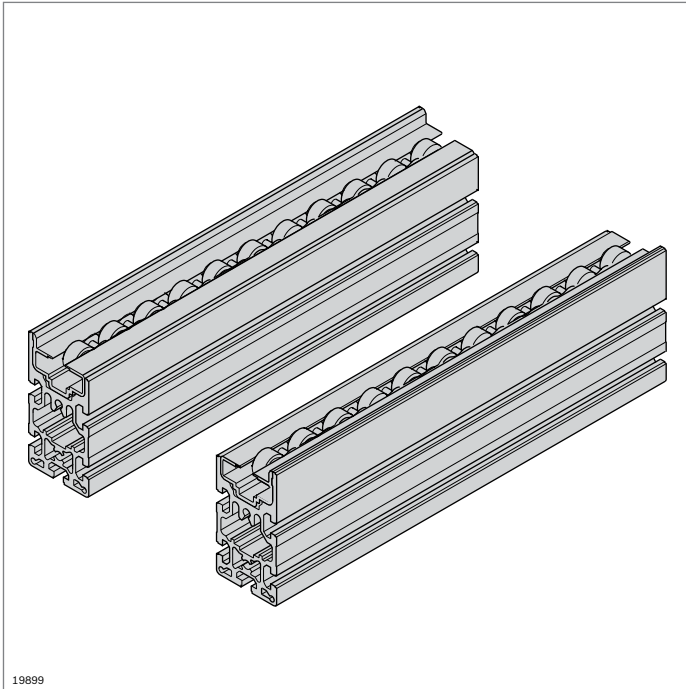
**SP 2/BH**

$A = 12,4 \text{ cm}^2$   
 $I_x = 53,7 \text{ cm}^4$   
 $I_y = 28,6 \text{ cm}^4$   
 $W_x = 14,0 \text{ cm}^3$   
 $W_y = 13,8 \text{ cm}^3$   
 $m = 3,3 \text{ kg/m}$

19607

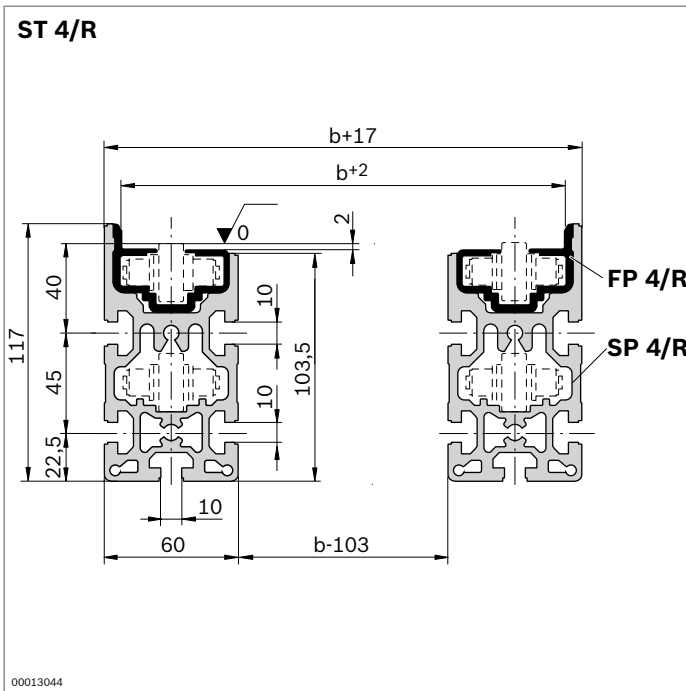
Section Profile SP 2/BH	Slot	L (mm)	No.
1 pcs	10	200...6000	<b>3 842 990 409 / L</b>
16 pcs	10	6070	<b>3 842 532 696</b>

Material: aluminum, natural-colored, anodized  
 Accessories: QV 2 cross connector, (s. 12-43)



### Conveyor sections made of SP 4/R section profiles and accumulation roller chains

- ▶ For constructing manual slide sections with high bearing loads (up to 2 kg/cm)
- ▶ For applications with and without workpiece pallets
- ▶ Low friction
- ▶ Steel chain with support wheels made of PA 12



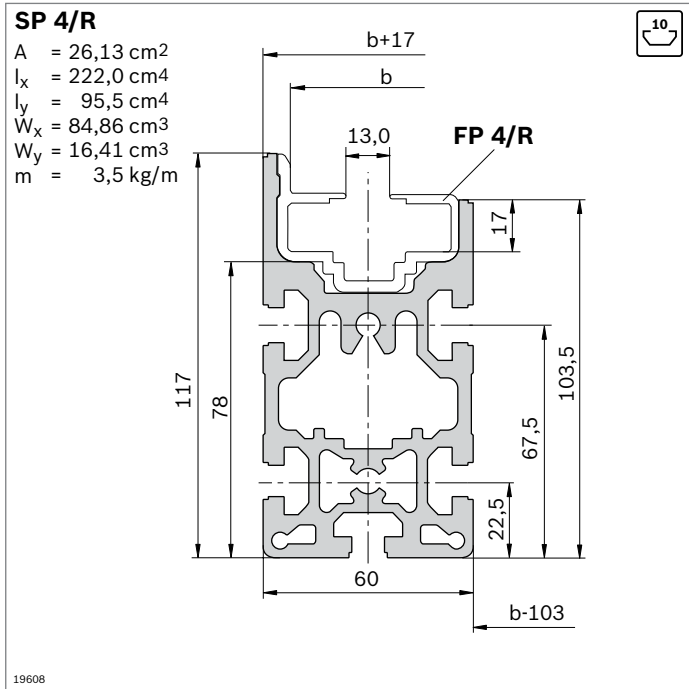
Section ST 4/R	L (mm)	No.
	200...6000	<b>3 842 994 839 / L</b>

Material: aluminum, natural-colored, anodized  
 Guide profile: PA 12

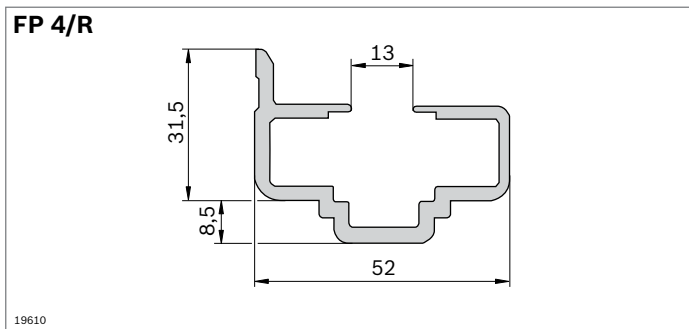
Scope of delivery: 2 x section profile SP 4/R  
 2 x guide profile FP 4/R

Condition on delivery: Fully assembled

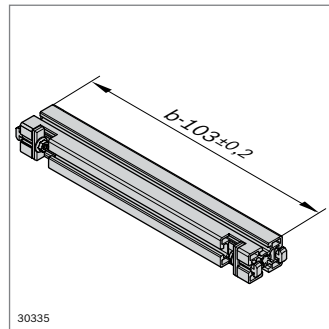
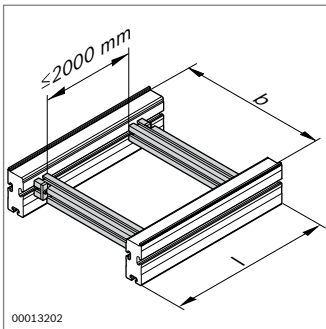
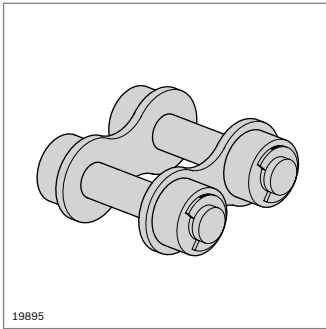
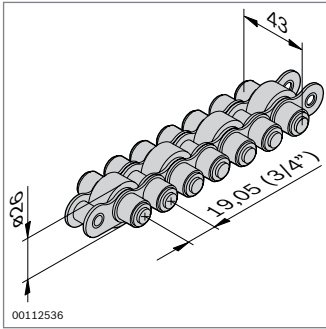
Accessories: Accumulation roller chain (p. 12-39)  
 QV 4 cross connector, (s. 12-39)



Section profile SP 4/R		L (mm)	No.
10 pcs		6000	<b>3 842 532 505</b>
Material:	aluminum, natural-colored, anodized		
Accessories:	Guide profile FP 4/R Accumulation roller chain (p. 12-39) QV 4 cross connector, (s. 12-39)		



Guide profile FP 4/R		L (mm)	No.
10 pcs		6000	<b>3 842 532 508</b>
Material:	PA 12 (anti-static)		



Accumulation roller chain	L (mm)	No.
<b>Support wheel: PA 12</b>	5000	<b>3 842 508 967</b>

Material: Accumulation roller chain: steel  
 Support roller: see ordering table  
 Scope of delivery: incl. chain coupling  
 Accessories: additional chain coupling (**3 842 071 941**)

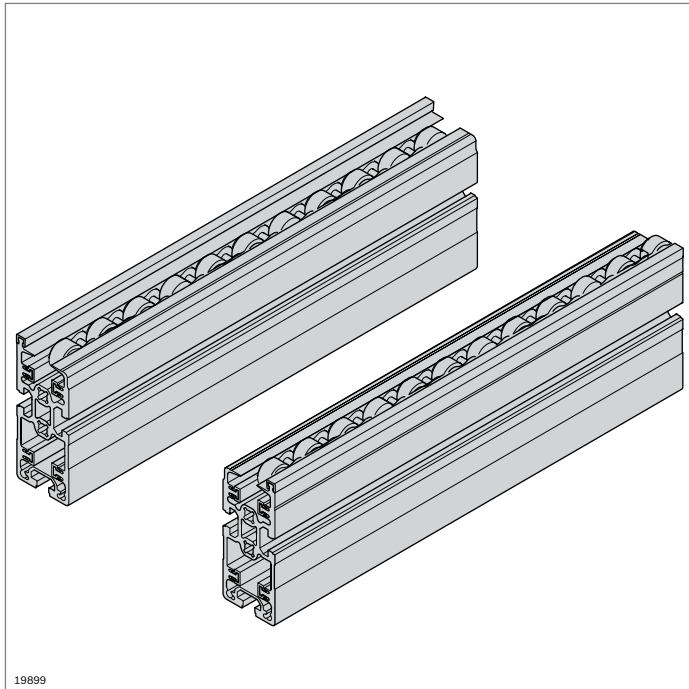
► Chain coupling for extending accumulation roller chains

Master link	No.
	<b>3 842 071 941</b>

Material: Steel

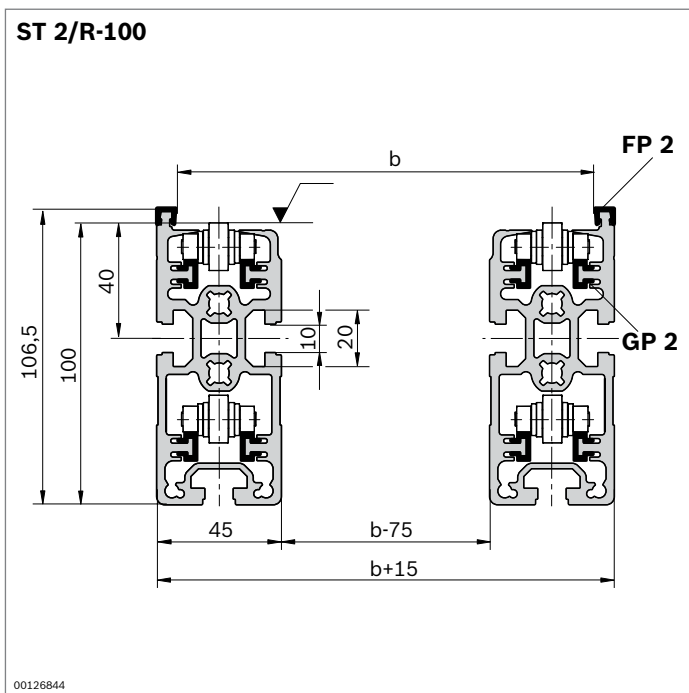
► Cross connector QV 4 for connecting two section profiles  
 ► For defining the track width

QV 4 cross connector	b (mm)	No.
	443...1243	<b>3 842 994 832 / b</b>



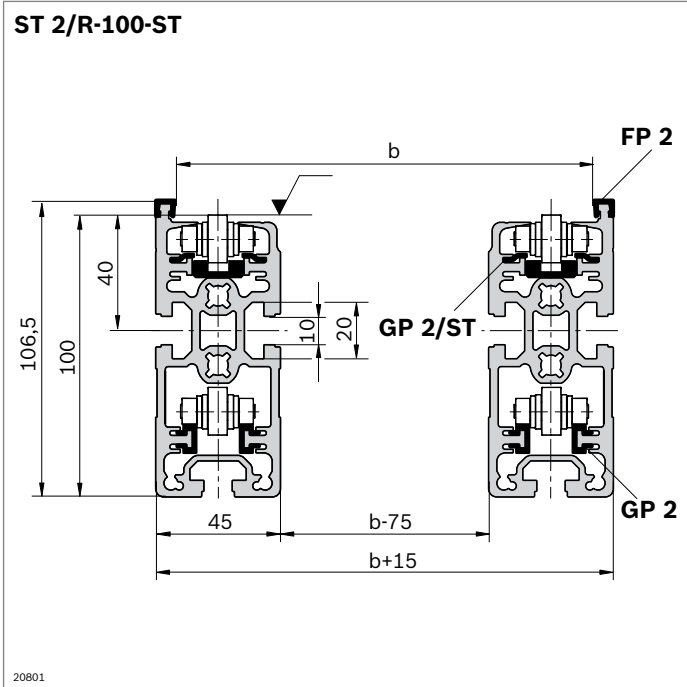
### Conveyor sections made of SP 2 section profiles and accumulation roller chains

- ▶ For constructing manual slide sections with high bearing loads (up to 2.0 kg/cm)
- ▶ For applications with and without workpiece pallets
- ▶ Accumulation roller chain with and without small parts trap



- ▶ Customizable section with plastic guide profile

Section ST 2/R-100	ESD	L (mm)	No.
		60 ... 6000	3 842 994 889 /L
Material:	aluminum, natural-colored, anodized Slide profile, guide profile: PA 12		
Scope of delivery:	2 x section profile SP 2/R-100 2 x guide profile FP 2 8 x slide profile GP 2		
Condition on delivery:	Fully assembled		
Accessories:	Accumulation roller chain (p. 12-43) Accumulation roller chain with small parts trap (p. 12-43) Cross connector QV 2, QV 2-H (p. 12-43)		



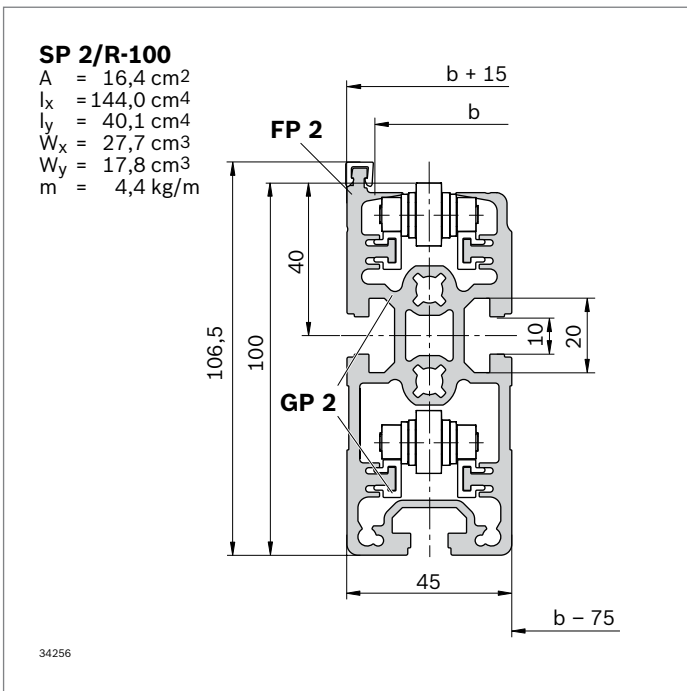
Section ST 2/R-100 ST	ESD	L (mm)	No.
		60 ... 6000	<b>3 842 994 907 / L</b>

Material: aluminum, natural-colored, anodized  
 Slide profile: Steel  
 Guide profile: PA 12  
 Guide profile for accumulation roller chain: PE

Scope of delivery: 2 x section profile SP 2/R-100  
 2 x guide profile FP 2  
 4 x slide profile GP 2  
 4 x slide profile GP 2/ST  
 2 x guide profile for accumulation roller chain

Condition on delivery: Fully assembled

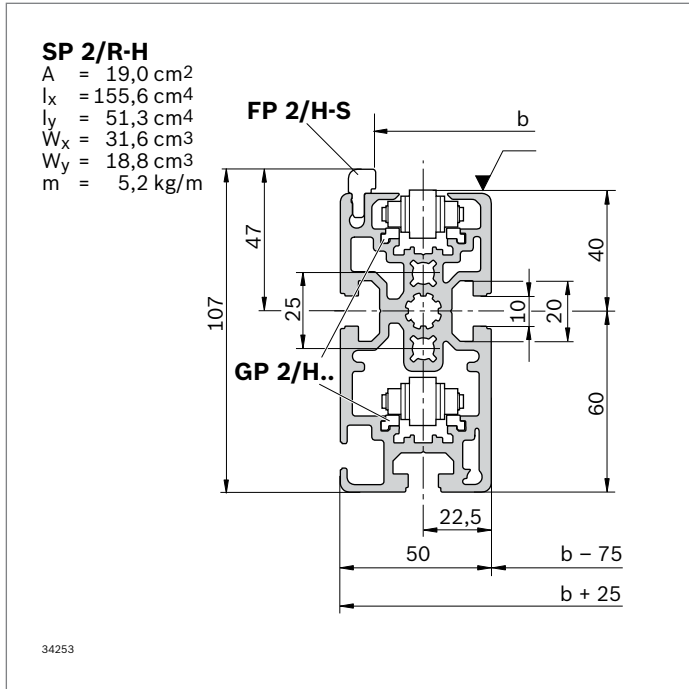
Accessories: Accumulation roller chain (p. 12-43)  
 Accumulation roller chain with small parts trap (p. 12-43)  
 Cross connector QV 2, QV 2-H (p. 12-43)



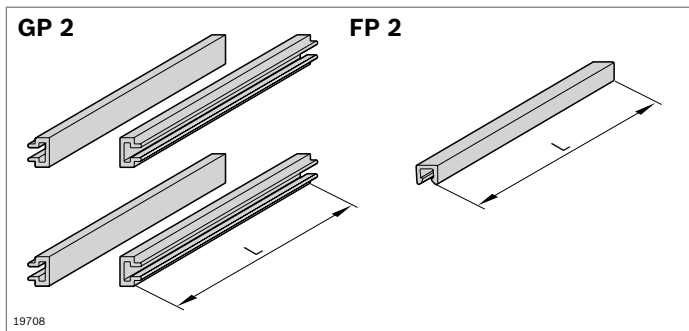
SP 2/R-100 section profile	L (mm)	No.
16 pcs	6070	<b>3 842 529 931</b>

Material: aluminum, natural-colored, anodized

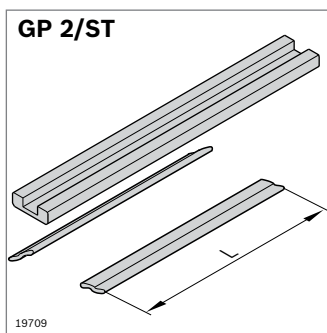
Accessories: PA guide and slide profile (p. 12-42)  
 ST guide and slide profile (p. 12-42)



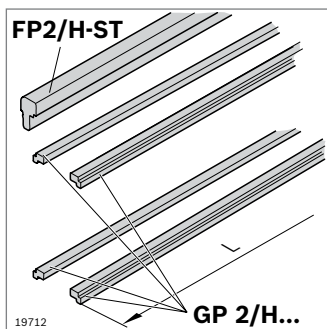
SP 2/R-H section profile		L (mm)	No.
12 pcs		6070	<b>3 842 536 792</b>
Material:	aluminum, natural-colored, anodized		
Accessories:	Guide profile FP 2/H-ST Slide profile GP 2/H-KST Slide profile GP 2/H-ST		



PA guide and slide profile		ESD	No.
			<b>3 842 529 933</b>
Material:	PA 12 (anti-static)		
Scope of delivery:	64 x slide profile GP 2 (L = 6000 mm) 16 x guide profile FP 2 (L = 6000 mm)		



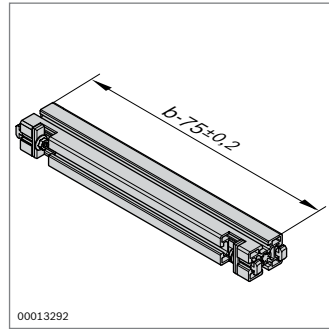
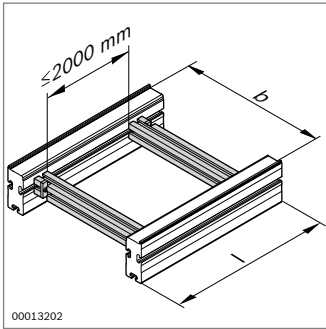
Guide and Slide Profile ST		ESD	No.
			<b>3 842 532 676</b>
Material:	GP 2/ST: steel; corrosion-resistant Guide profile for accumulation roller chain: PE		
Scope of delivery:	32 x slide profile GP 2/ST (L = 3000 mm) 24 x guide profile for accumulation roller chain (L = 2000 mm)		



Guide profile		L (mm)	ESD	No.
<b>FP 2/H-ST</b>	24 pcs	3000		<b>3 842 537 890</b>
Material:	steel; corrosion-resistant			

Slide profiles		L (mm)	ESD	No.
<b>GP 2/H-ST</b>	48 pcs	3000		<b>3 842 537 888</b>
<b>GP 2/H-KST</b>	48 pcs	3000		<b>3 842 537 889</b>
Material:	H-KST: PA (anti-static) H-ST: steel; corrosion-resistant			

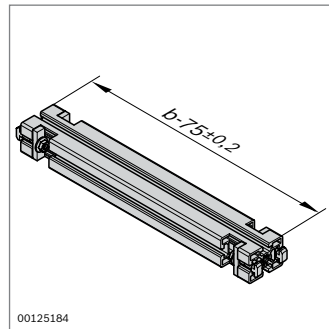
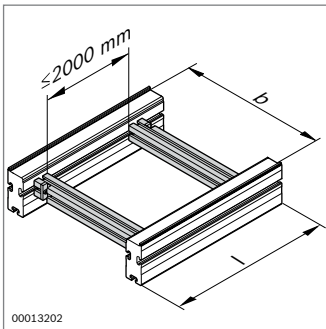




- ▶ Cross connector QV 2 for connecting two section profiles
- ▶ For defining the track width

QV 2 cross connector	b (mm)	No.
	160...1200	<b>3 842 994 635 / b</b>

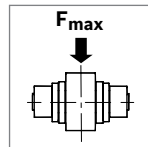
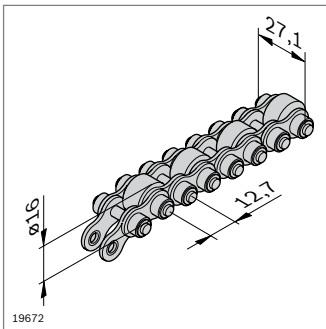
Material: aluminum, natural-colored, anodized  
 Fastening material: Steel  
 Scope of delivery: Strut profile 45x60, 2 x QV mounting kit (p. 3-62)



- ▶ Cross connector QV 2-H for connecting two section profiles
- ▶ For heavy applications
- ▶ For defining the track width

QV 2-H cross connector	b (mm)	No.
	160...1200	<b>3 842 993 052 / b</b>

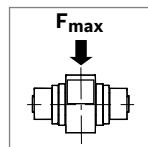
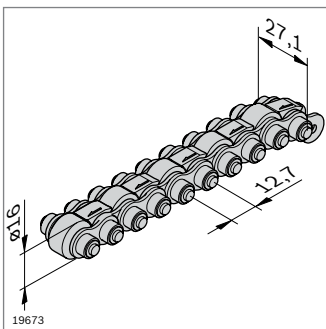
Material: aluminum, natural-colored, anodized  
 Fastening material: Steel  
 Scope of delivery: Strut profile 45x60, 4 x QV mounting kit (p. 3-62)



Accumulation roller chain	F <sub>max</sub> (kg/cm)	L (mm)	No.
<b>Support wheel: PA 12</b>	1.5	12000	<b>3 842 523 918</b>
<b>Support wheel: Steel</b>	2.0 <sup>1)</sup> /1.5 <sup>2)</sup>	12000	<b>3 842 530 864</b>

<sup>1)</sup> When using slide profile GP 2/ST  
<sup>2)</sup> When using slide profile GP 2

Material: Accumulation roller chain: steel  
 Support wheel: see ordering table  
 Scope of delivery: incl. chain coupling  
 Accessories: additional chain coupling (**3 842 530 417**)

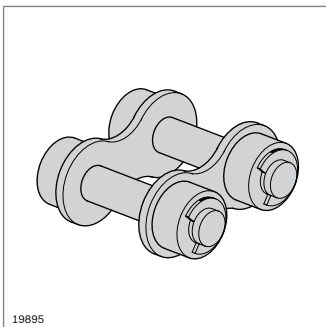


Accumulation roller chain with small parts trap	F <sub>max</sub> (kg/cm)	L (mm)	No.
<b>Support wheel: PA 12</b>	1.5	12000	<b>3 842 536 268</b>
<b>Support wheel: Steel</b>	2.0 <sup>1)</sup> /1.5 <sup>2)</sup>	12000	<b>3 842 536 270</b>

<sup>1)</sup> When using slide profile GP 2/ST  
<sup>2)</sup> When using slide profile GP 2

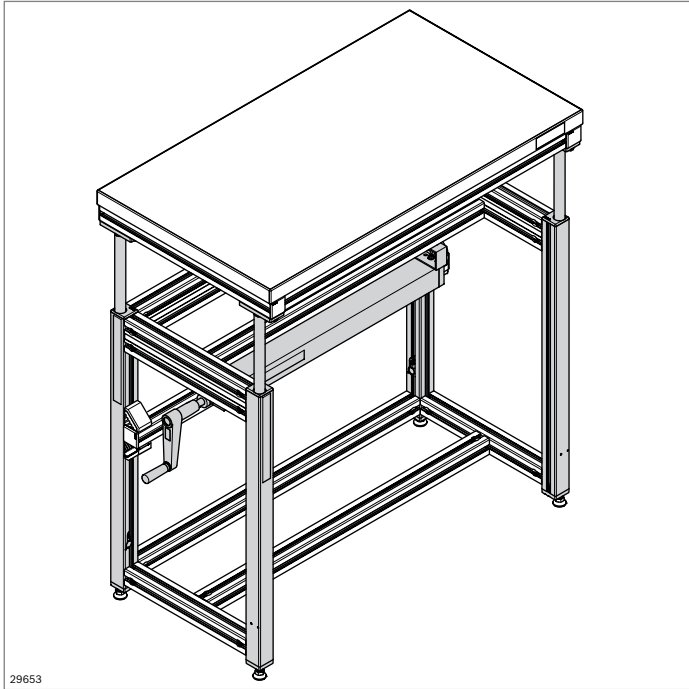
Material: Accumulation roller chain: steel  
 Support wheel: see ordering table  
 Scope of delivery: incl. chain coupling  
 Accessories: additional chain coupling (**3 842 530 417**)

- ▶ Chain coupling for extending accumulation roller chains



Master link	No.
	<b>3 842 530 417</b>

Material: Steel



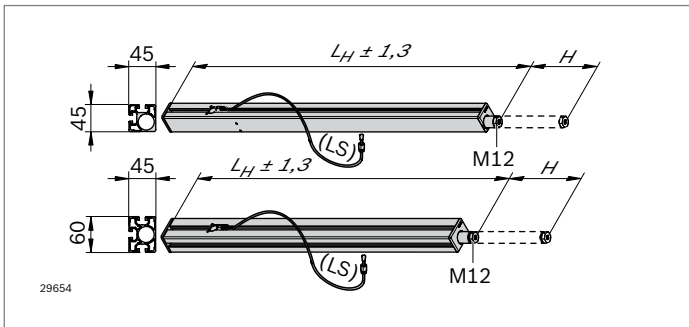
### Components for height adjustment 45x45 and 45x60



- ▶ Infinitely variable hydraulic height adjustment with a crank handle, e.g. for work benches, tables or frames
- ▶ Max. load bearing capacity per lifting module 800 N
- ▶ Maximum lift 400 mm
- ▶ Simplest mounting system due to use of hydraulic hoses with quick-release couplings
- ▶ Variable or fixed lengths for lifting module and hoses
- ▶ Can be used for the implementation of EN 1570-1, taking other measures for integration into products into consideration

Optional accessories:

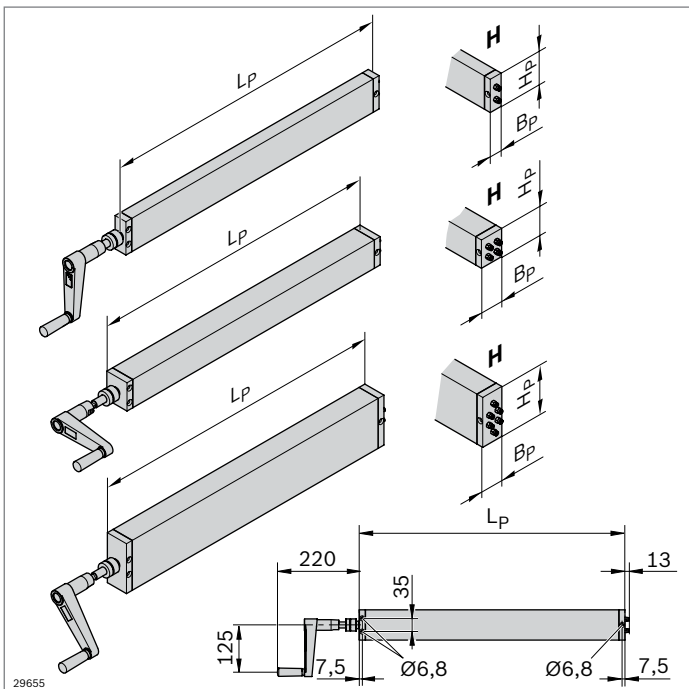
- ▶ connection elements, e.g. bracket (see p. 3-17),
- ▶ leveling foot, e.g. 3 842 529 025 (p. 6-4)



Lifting module	L <sub>H</sub> (mm)	L <sub>S</sub> (mm)	No.
45x45 Variable	720 ...	1000 ...	Set <b>3 842 994 000/L<sub>H</sub>/L<sub>S</sub></b>
	2000 <sup>1)</sup>	4000 <sup>2)</sup>	
Standard	770	2500	Set <b>3 842 552 131/L<sub>H</sub>/L<sub>S</sub></b>
45x60 Variable	720 ...	1000 ...	Set <b>3 842 994 001/L<sub>H</sub>/L<sub>S</sub></b>
	2000 <sup>1)</sup>	4000 <sup>2)</sup>	
Standard	770	2500	Set <b>3 842 552 132/L<sub>H</sub>/L<sub>S</sub></b>

- <sup>1)</sup> Lifting module length (L<sub>H</sub>) can be ordered in 10 mm increments  
<sup>2)</sup> Hose length (L<sub>S</sub>) can be ordered in 1000, 1500, 2000, 2500, 3000, 4000 mm

Scope of delivery: 2 x lifting module with built-in hydraulic cylinder incl. hose (min. bend radius 50 mm) and quick-release coupling; 2 x cover cap  
 Condition on delivery: assembled, filled with food-safe HPL oil of class NSF H1



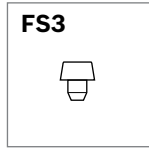
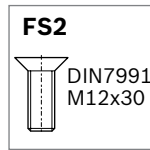
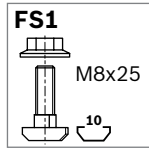
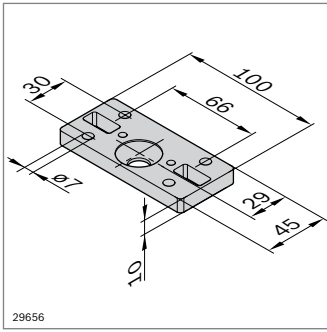
### Pump and drive

- ▶ Synchronous activation of 2, 4 or 6 lifting modules
- ▶ Can be mounted in any position
- ▶ Incl. friction clutch for load control
- ▶ 4 mm stroke per rotation
- ▶ Crank handle, retractable

Pump	Max. Load (N)	Amount Lift modules	L <sub>p</sub> (mm)	W <sub>p</sub> (mm)	H <sub>p</sub> (mm)	No.
	1600	2	702.5±2	30	80	<b>3 842 552 133</b>
	3200	4	702.5±2	56	68	<b>3 842 552 134</b>
	3200	6	714.5±2	60	120	<b>3 842 552 135</b>

Scope of delivery: pump incl. hand crank and quick-release coupling

Condition on delivery: assembled, filled with food-safe HPL oil of class NSF H1

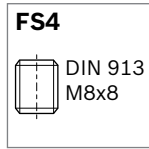
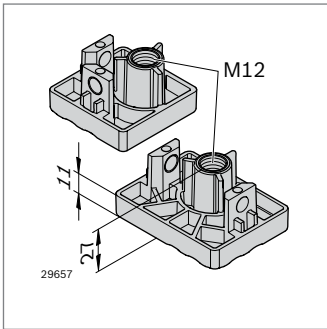


**Connecting plate**

- For mounting the lifting module on a foot, profile or table top

Connecting plate	No.	FS
Set	<b>3 842 552 176</b>	4xFS1, 2xFS2, 4xFS3

Material: aluminum  
 Fastening material: steel; galvanized  
 Scope of delivery: 2 x connecting plate; incl. fastening material (FS)

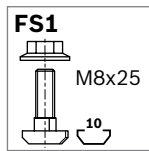
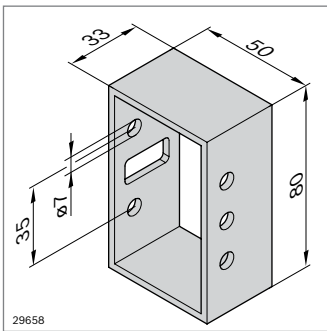


**Adapter plate**

- For mounting a leveling foot (e.g. 3 842 529 025) to the lifting module
- Max. screw-in depth of the spindle with  $L_H = 720$  mm: ~ 50 mm

Adapter plate	No.	FS
45x45	Set <b>3 842 552 174</b>	4xFS4
45x60	Set <b>3 842 552 175</b>	4xFS4

Material: diecast zinc  
 Fastening material: steel; galvanized,  
 Scope of delivery: 2 x adapter plate; incl. fastening material (FS)

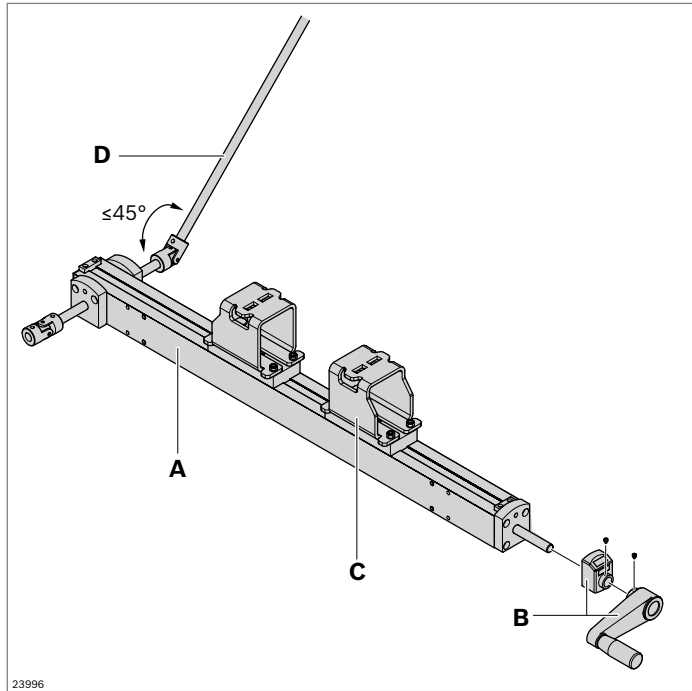


**Connection adapter**

- For mounting the pump on a profile or a table top
- Independent of the pump size, mounting requires 3 countersunk screws (ISO 10642, M6, 8.8) in 40 mm (pump for 2 lifting modules) or 70 mm (pump for 4 or 6 lifting modules)

Connection adapter	No.	FS
Set	<b>3 842 552 177</b>	2xFS1

Material: aluminum  
 Fastening material: steel; galvanized  
 Scope of delivery: 2 x connection adapter; incl. fastening material (FS)



## Adjustment unit

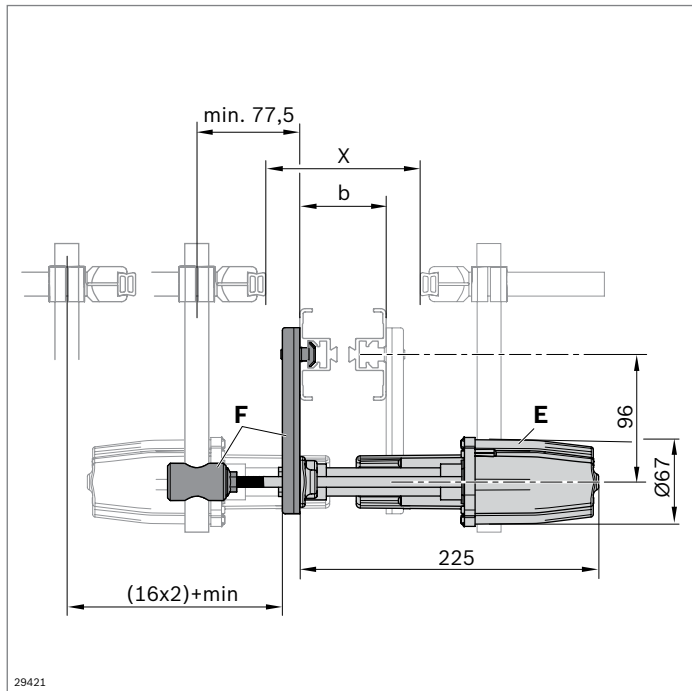
- Can be used for parallel width adjustment

<b>Adjustment unit (A)</b>	<b>No.</b>
	<b>3 842 547 971</b>

<b>Crank handle (B)</b>	<b>No.</b>
	<b>3 842 547 990</b>

<b>Connection kit (C)</b>	<b>No.</b>
	<b>3 842 547 729</b>

<b>Profile rail D12 (D)</b>	<b>L (mm)</b>	<b>No.</b>
1 pcs	200 ... 3000	<b>3 842 993 306 / L</b>
6 pcs	3000	<b>3 842 533 841</b>

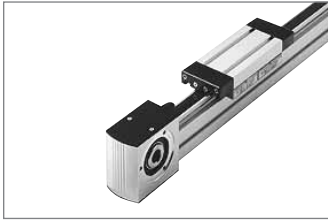


- Can be used for automatic (pneumatic) adjustment of lateral guides
- see also VarioFlow *plus* catalog (**R999000401**)

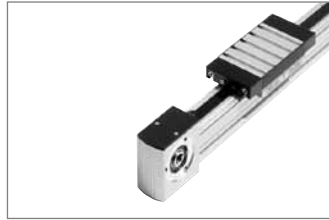
<b>Adjustment unit (E)</b>	<b>No.</b>
	<b>3 842 547 707</b>

<b>Assembly kit (F)</b>	<b>No.</b>
	<b>3 842 547 718</b>

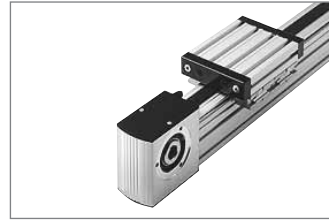
# Linear guides



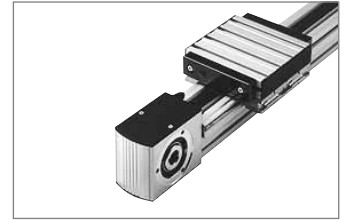
Cam roller guide LF6S  
(p. 13-6)



Cam roller guide LF6C  
(p. 13-11)



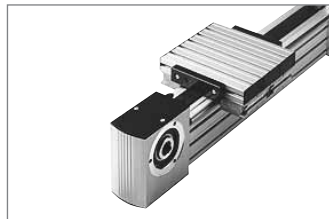
Cam roller guide LF12S  
(p. 13-16)



Cam roller guide LF12C  
(p. 13-23)



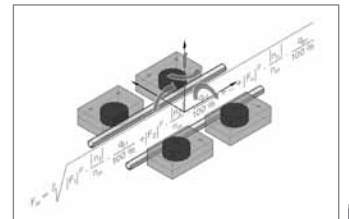
Cam roller guide LF20S  
(p. 13-30)



Cam roller guide LF20C  
(p. 13-37)



Center shafts, synchronous  
shafts (p. 13-47)

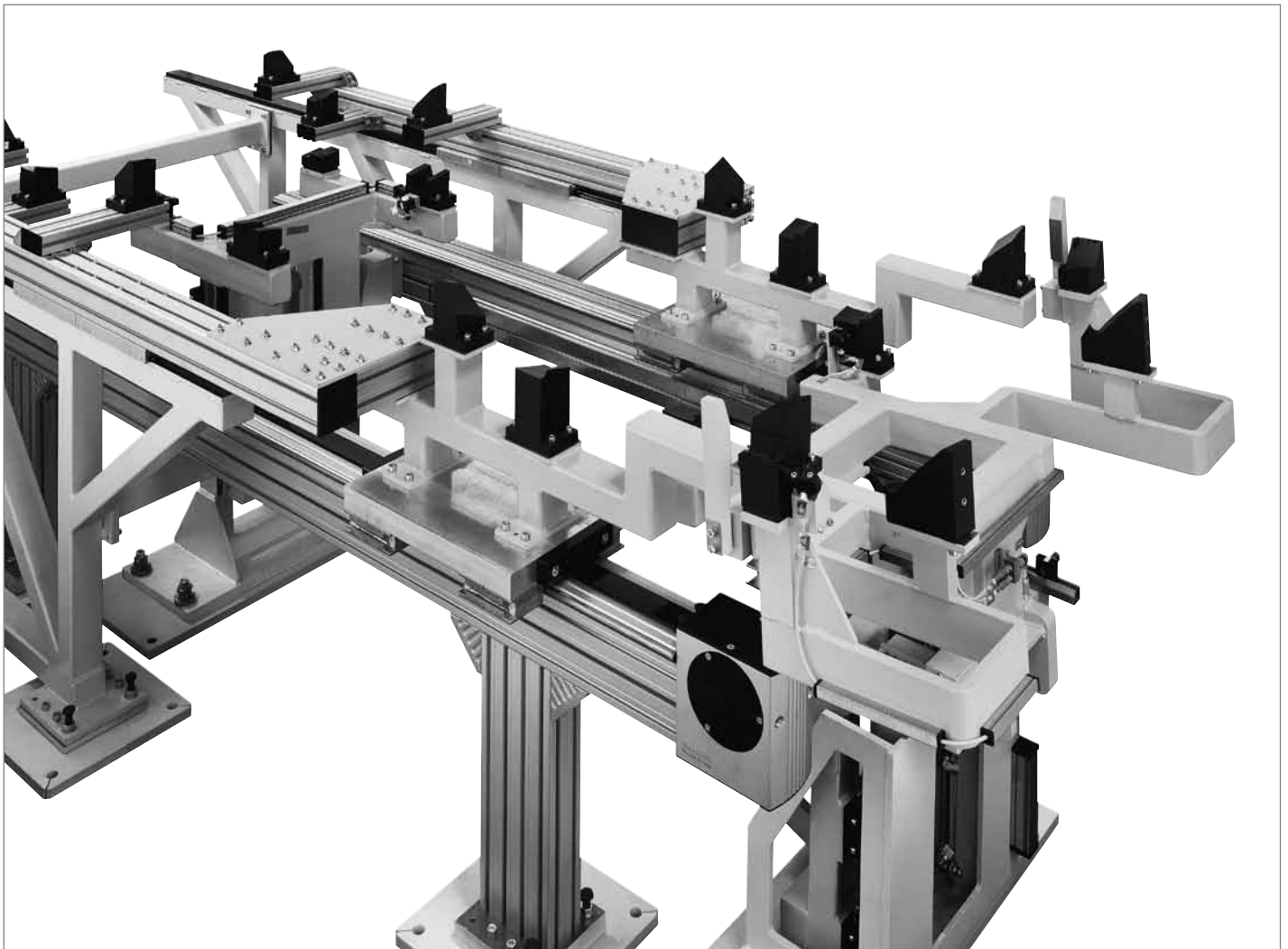


Design (p. 13-49)

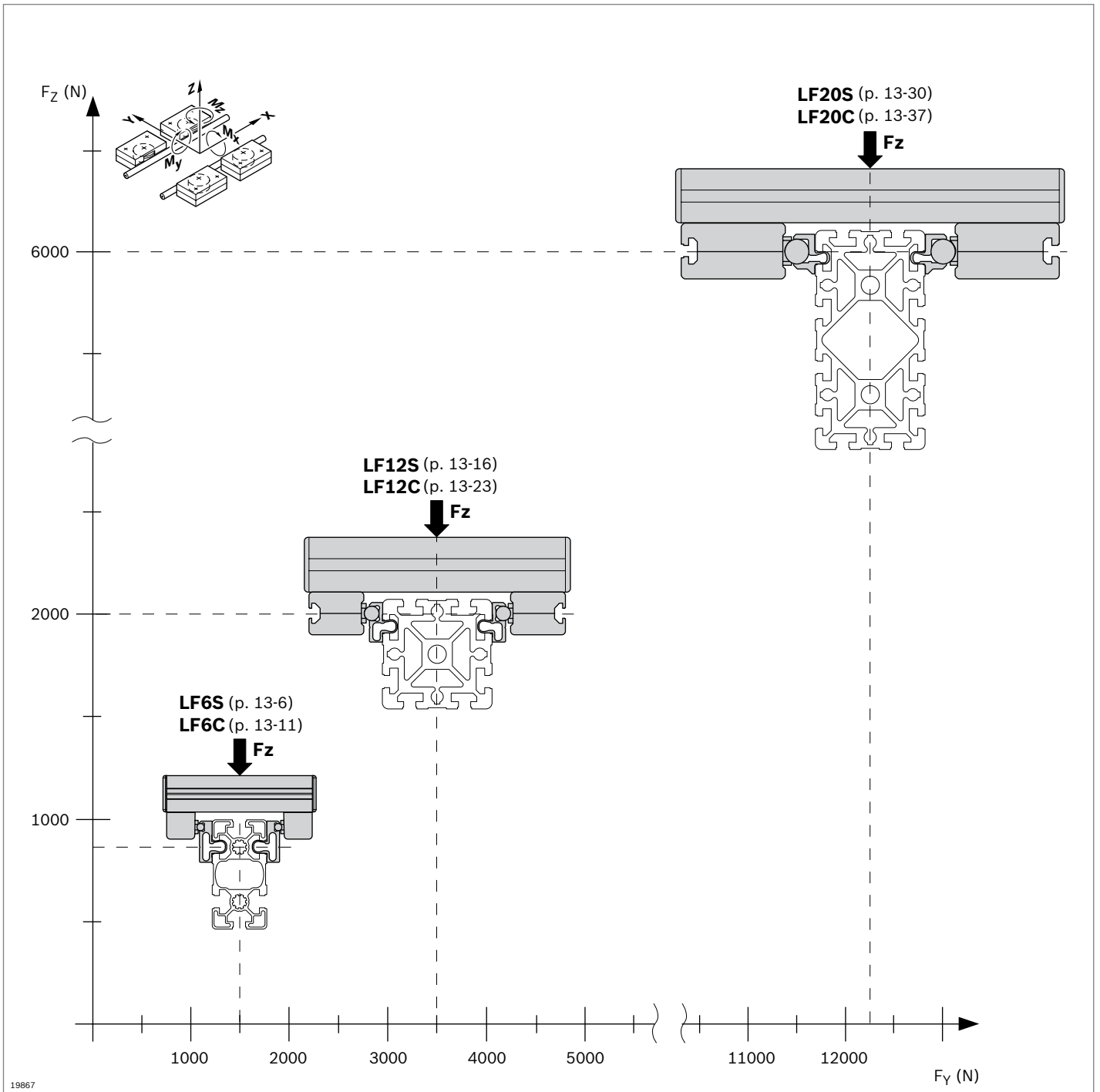


## Linear guides

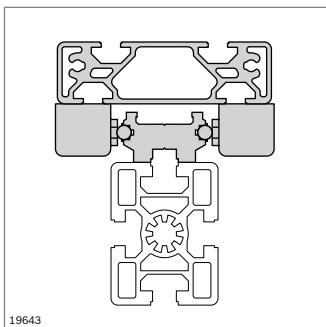
- ▶ For constructing linear guides based on cam roller guides
- ▶ Cam roller guides are suitable for applications with high speeds and medium loads, in particular for the construction of handling equipment, feed systems, guides in work machines, and many other applications
- ▶ Fully pre-assembled in any required length or as individual components for assembly on site
- ▶ Without drive or with toothed-belt drive for attaching gears and motors



Linear guides – sizes, designs, and loads



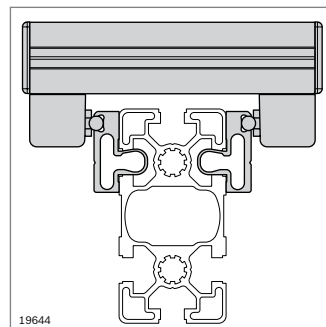
19867



19643

**LF...S**

- ▶ Compact construction
- ▶ Fixed track width
- ▶  $v_{max} = 5 \text{ m/s}$



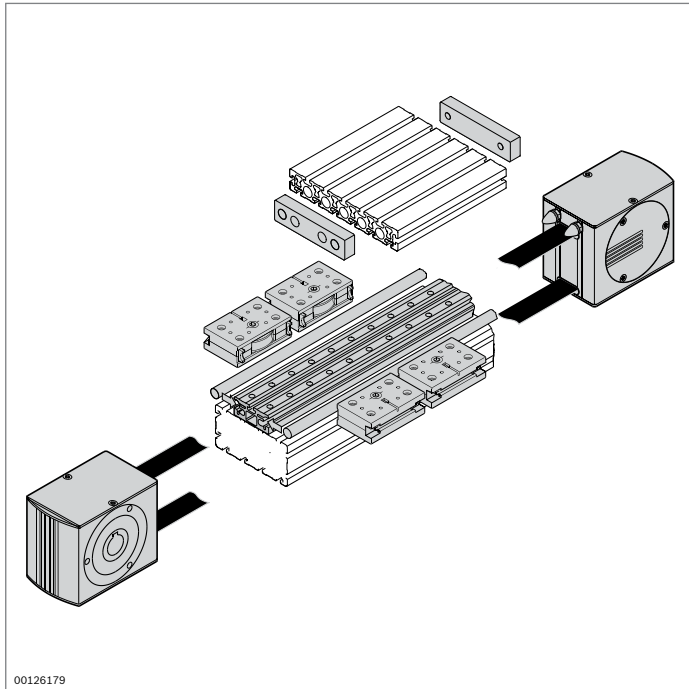
19644

**LF...C**

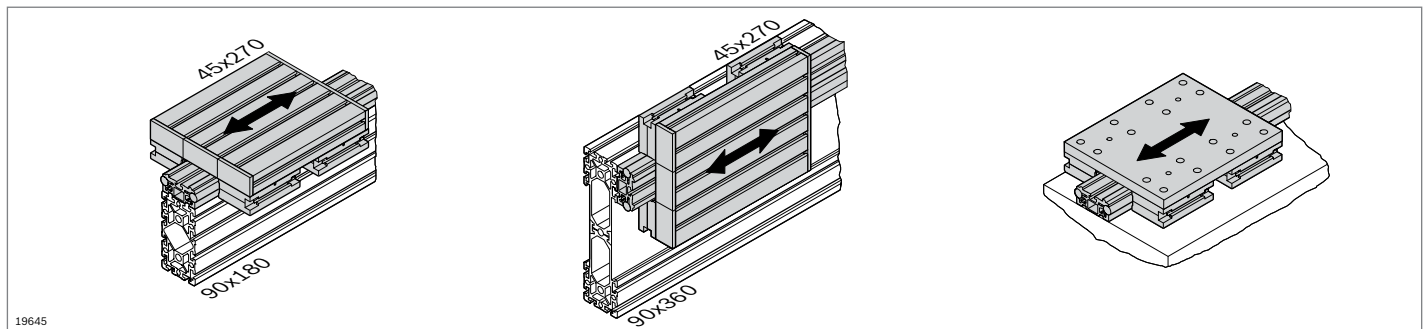
- ▶ Freely selectable track width for greater torque absorption
- ▶  $v_{max} = 5 \text{ m/s}$



### Cam roller guides LF...S



- ▶ Cam roller guide LF...S with fixed track widths
- ▶ Guide rail made of aluminum with hardened and polished VA guide rods
- ▶ Simple mounting on strut profile or directly on flat surface, e.g. on a machine
- ▶ High precision, dimensional stability and torsional rigidity
- ▶ Lighter and cheaper than steel guides
- ▶ Light trolley with good torsional rigidity
- ▶ Freely selectable trolley lengths
- ▶ Freely selectable stroke lengths possible
- ▶ High permissible speed



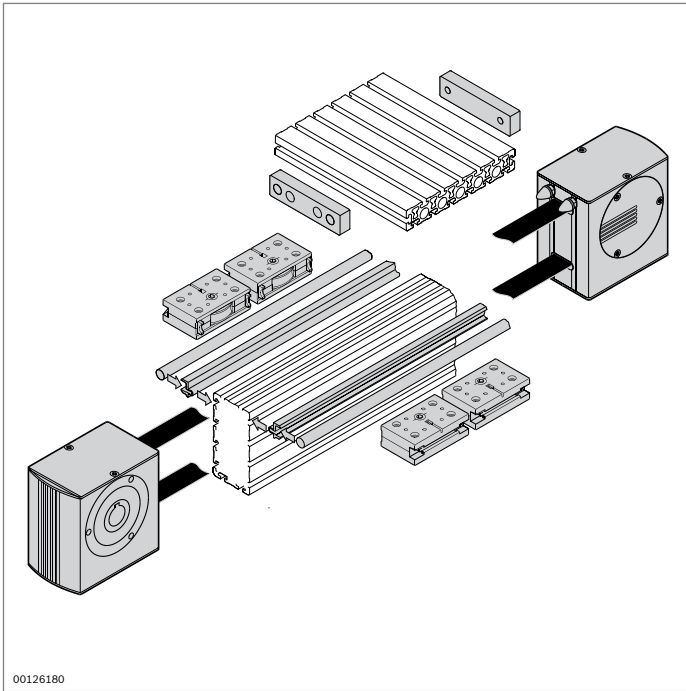
The support profiles shown here are examples

Profile	Dimensions (mm)	$F_y$ max (N)	$F_z$ max (N)	$M_x$ max (Nm)	$v_{max}$ (m/s)
LF6S	90 (width), 62.5 (height), 110.5 (total height)	1400	850	13,6	5
LF12S	180 (width), 92.5 (height), 172.5 (total height)	3500	2000	78	5
LF20S	270 (width), 92.5 (height), 182.5 (total height)	12500	6000	240	5

19646

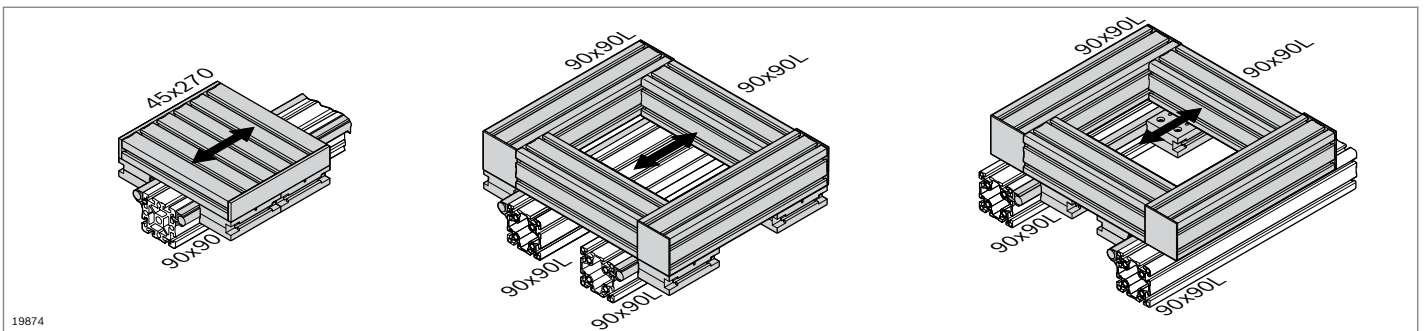


### Cam roller guides LF...C



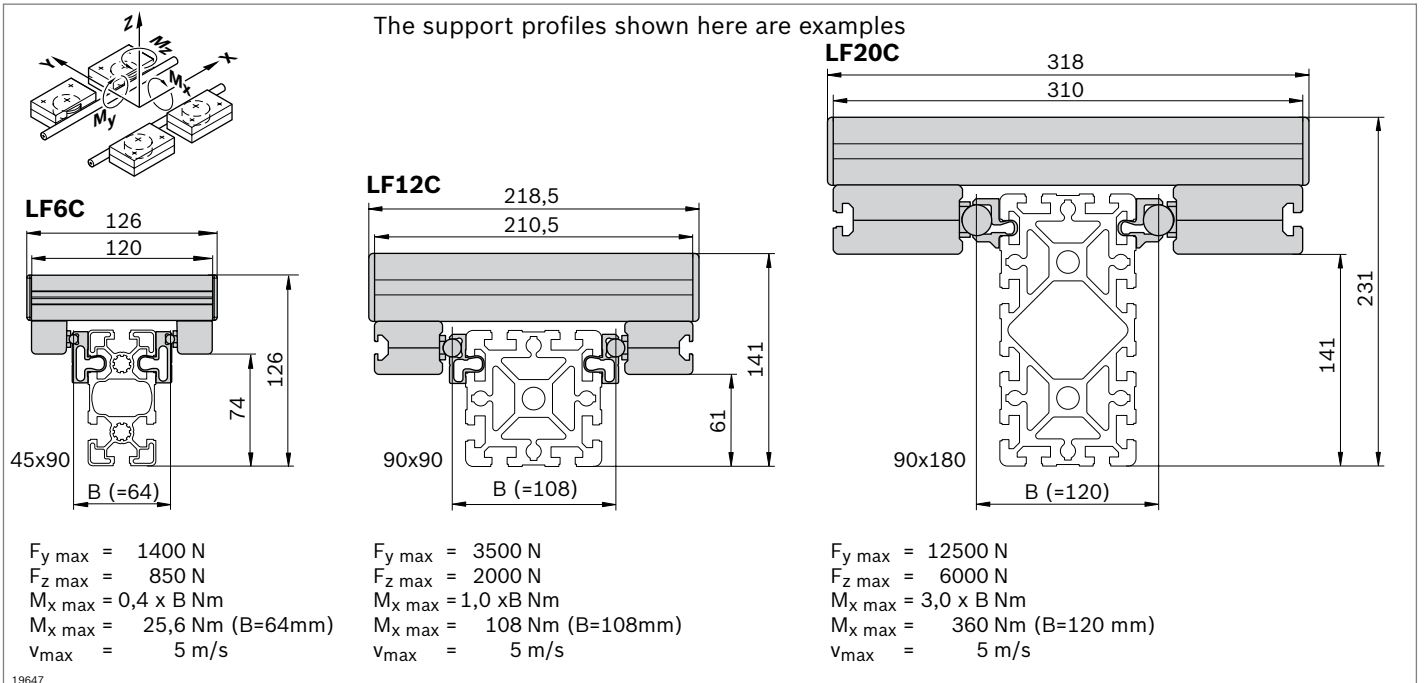
- ▶ Cam roller guide LF...C for free choice of track widths and large track widths
- ▶ Clamping profile made of aluminum with hardened and polished VA guide rods
- ▶ Easy assembly through clipping the clamping profile into the slots of any Rexroth profile with 10 mm slot
- ▶ Optimally adjustable to different loads
- ▶ Greater torque absorption due to a C construction and free choice of track width
- ▶ Light trolley with good torsional rigidity
- ▶ Freely selectable trolley lengths and widths
- ▶ Freely selectable stroke lengths possible
- ▶ High permissible speed

00126180

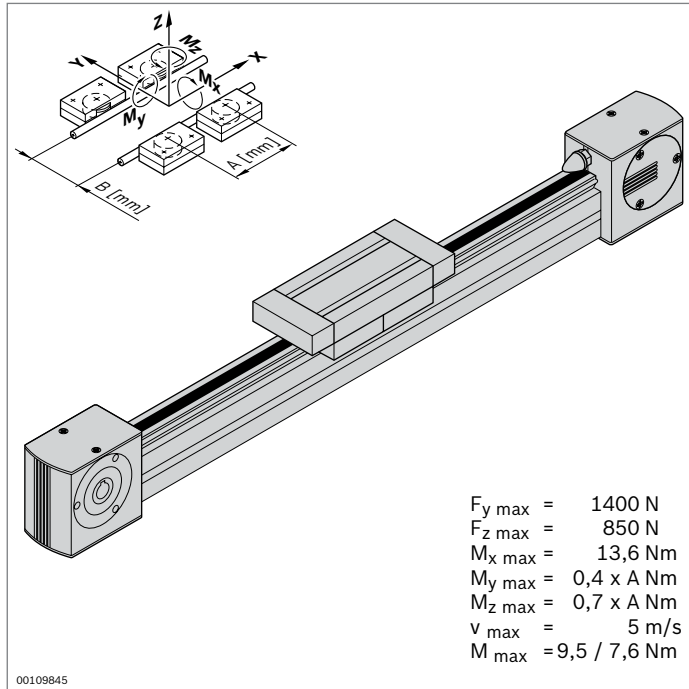


19874

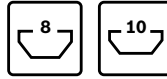
The support profiles shown here are examples



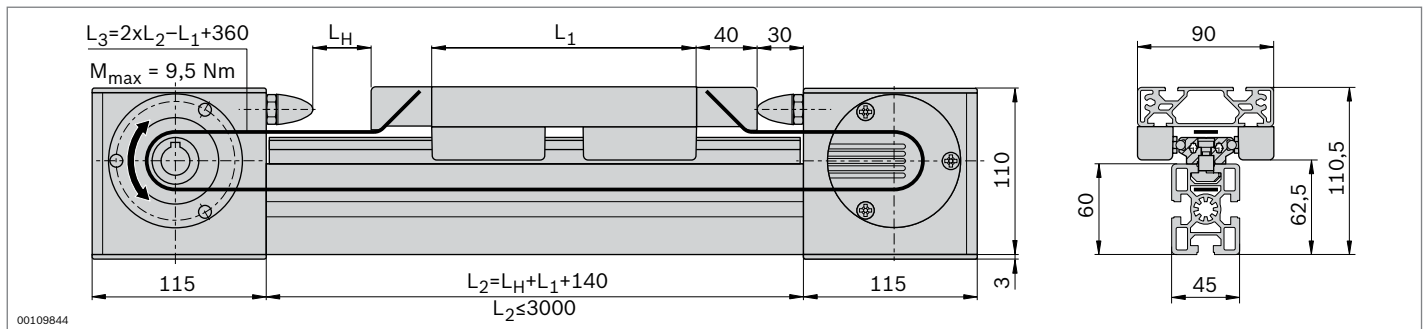
19647



### Cam roller guide LF6S – complete axis



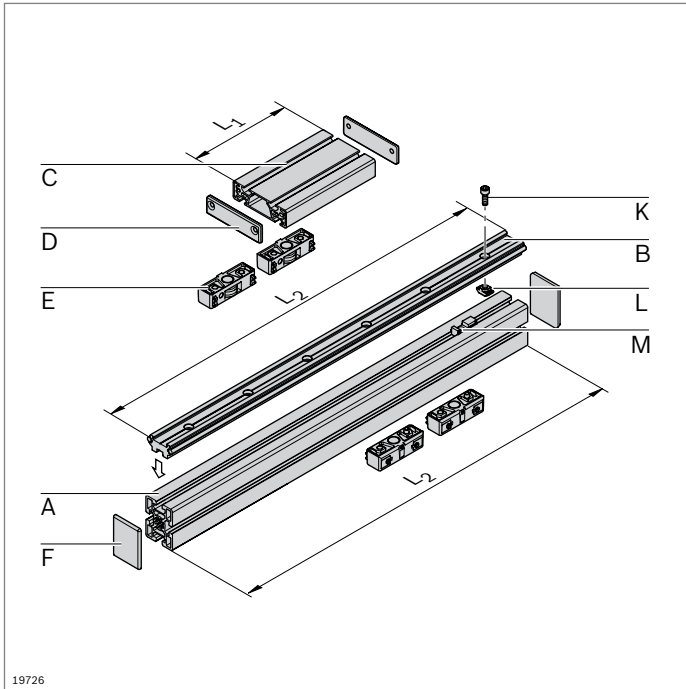
- ▶ Fully assembled cam roller guide
- ▶ Stroke and trolley length can be individually selected
- ▶ Rail profile screwed onto strut profile 45x60
- ▶ Incl. toothed belt drive; additional notes on the drive concept (p. 13-44)



### Technical data

See pages 13-57 for notes on layout and drive

Complete axis LF6S	$L_H / L_1$ (mm)	No.
	$L_1 + 80 \leq L_H \leq 2710$	3 842 998 495 / $L_H / L_1$
	$150 \leq L_1 \leq 1000$	



19726

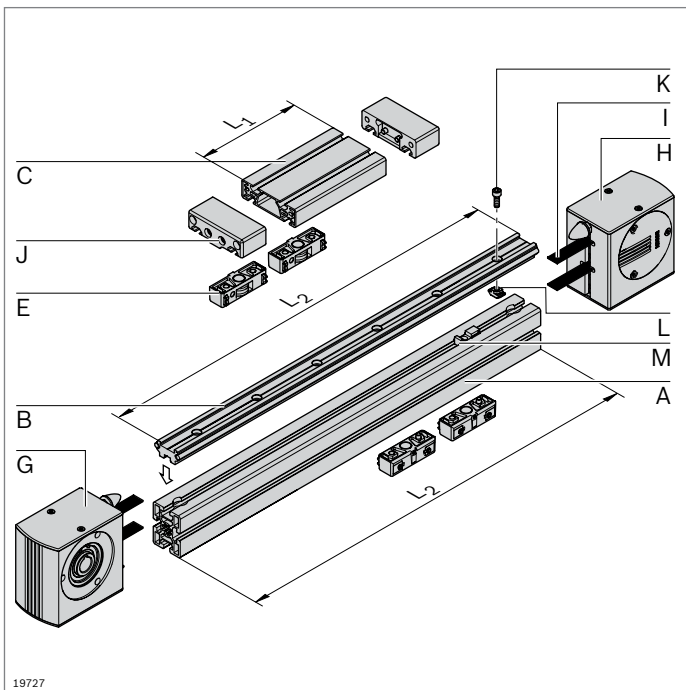
## Cam roller guide LF6S – components

- Components for the individual assembly of cam roller guides, with or without drive

### Parts list for cam roller guide LF6S without drive

Component	No.	Qty.	Page
<b>A</b> Profile 45x60	3 842 990 570 / L <sub>2</sub>	1	2-41
<b>B</b> Guide profile LF6S	3 842 993 966 / L <sub>2</sub>	1	13-8
<b>C</b> Trolley profile LF6S	3 842 993 061 / L <sub>1</sub>	1	13-8
<b>D</b> Cover cap LF6S	3 842 535 645	2	13-9
<b>E</b> Guide bearing LF6	3 842 535 662	4	13-8
<b>F</b> Cover cap 45x60	3 842 548 755	2	2-41
<b>K</b> Cylinder bolt M6x20 – DIN7984		n <sup>1)</sup>	
<b>L</b> T-nut M6, 10 mm slot	3 842 530 285	n <sup>1)</sup>	3-4
<b>M</b> Sliding block	3 842 146 877	n <sup>1)</sup>	13-8

<sup>1)</sup> For identification see page 13-8



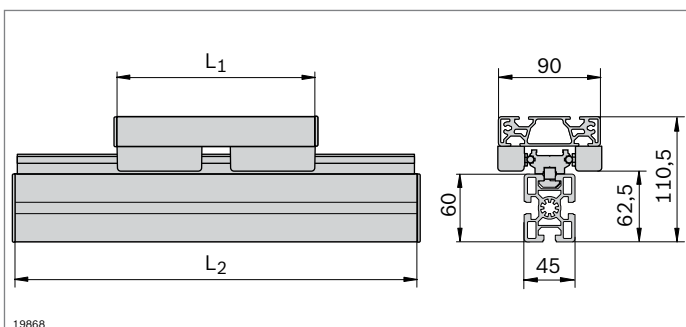
19727

### Parts list for cam roller guide LF6S with drive

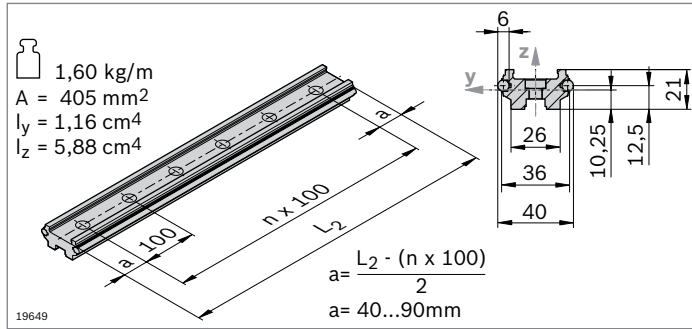
Component	No.	Qty.	Page
<b>A</b> Profile 45x60 LF6S	3 842 993 085 / L <sub>2</sub>	1	2-41
<b>B</b> Guide profile LF6S	3 842 993 966 / L <sub>2</sub>	1	13-8
<b>C</b> Trolley profile LF6S	3 842 993 061 / L <sub>1</sub>	1	13-8
<b>E</b> Guide bearing LF6	3 842 535 662	4	13-8
<b>G</b> Drive head LF6S	3 842 526 410	1	13-9
<b>H</b> Return head LF6S	3 842 526 411	1	13-10
<b>I</b> Toothed belt LF6S	3 842 994 659 / L <sub>3</sub> <sup>1)</sup>	1	13-10
<b>J</b> Belt connector LF6S	3 842 535 682	2	13-10
<b>K</b> Cylinder bolt M6x20 – DIN7984		n <sup>2)</sup>	
<b>L</b> T-nut M6, 10 mm slot	3 842 530 285	n <sup>2)</sup>	3-4
<b>M</b> Sliding block	3 842 146 877	n <sup>2)</sup>	13-8

<sup>1)</sup> L<sub>3</sub> = 2xL<sub>2</sub> - L<sub>1</sub> + 360

<sup>2)</sup> For identification see page 13-8



19868



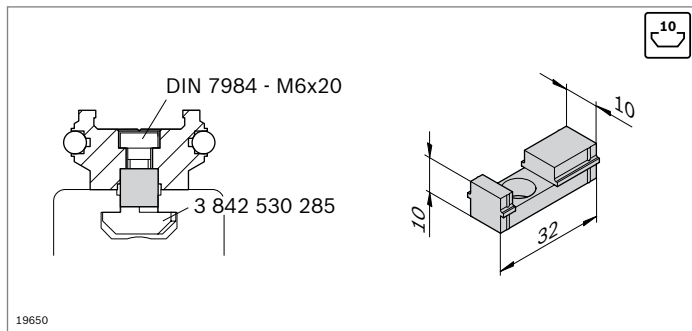
- ▶ Guide profile LF6S with integrated guide rods
- ▶ Installation on MGE strut profiles with 10 mm slot or directly on a flat surface

Guide profile	L <sub>2</sub> (mm)	No.
LF6S	1 pcs 150 ... 3000	<b>3 842 993 966 / L<sub>2</sub></b>
	10 pcs 3000	<b>3 842 539 412</b>

Material: Guide profile: aluminum, anodized  
Guide rod: Solid shaft VA, induction hardened, polished

Condition on delivery: Ungreased guide rods; greasing according to assembly instructions **3 842 527 226**

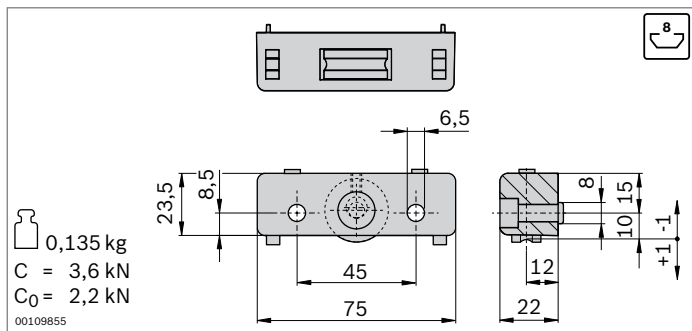
Required accessories: Cylinder bolt DIN 7984 – M6x20  
T-nut M6, 10 mm slot **3 842 530 285** (p. 3-4)



- ▶ Sliding block as a centering aid for mounting the guide profile in a 10 mm profile slot

Sliding block	No.
	50 <b>3 842 146 877</b>

Material: PA; black



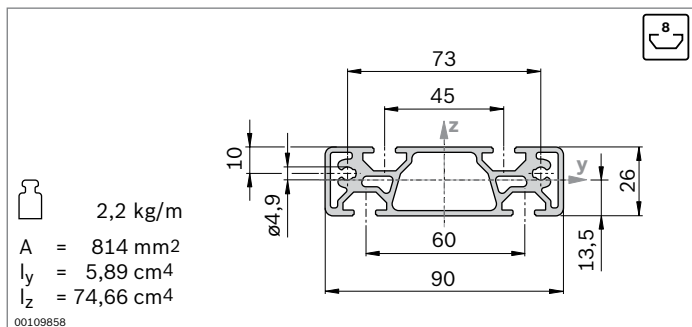
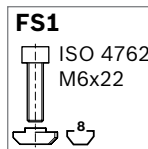
- ▶ Guide bearing for trolley construction
- ▶ Guiding via guide rod
- ▶ Rollers with ball bearings, permanently lubricated
- ▶ Lubricating felts with guide rod lubrication reservoir
- ▶ Play-free roller adjustment via eccentric bolts

Guide bearing	No.	FS
LF6	2 <b>3 842 535 662</b>	2xFS1

Material: Housing: diecast aluminum  
Roller: steel, hardened, polished

Scope of delivery: incl. fastening material (FS)

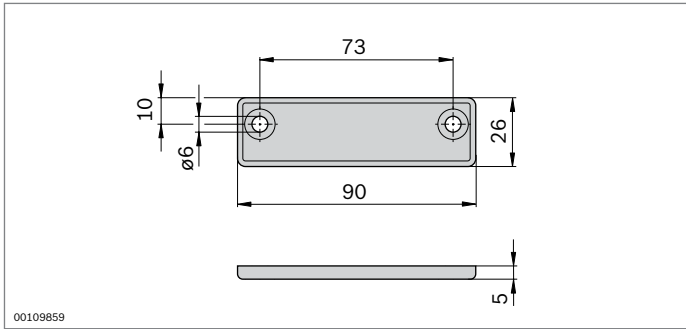
Condition on delivery: lubricating felts ungreased; greasing according to assembly instructions **3 842 527 226**



- ▶ Trolley profile for the construction of trolley LF6S

Trolley profile	L <sub>1</sub> (mm)	No.
LF6S	150 ... 3000	<b>3 842 993 061 / L<sub>1</sub></b>

Material: aluminum, anodized

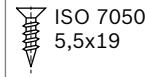


- ▶ Cover cap for trolley profile LF6S
- ▶ For use on trolleys which are not driven by a toothed belt

Cover cap	No.	FS
LF6S	2	3 842 535 645 2xFS2

Material: PA; black

**FS2**

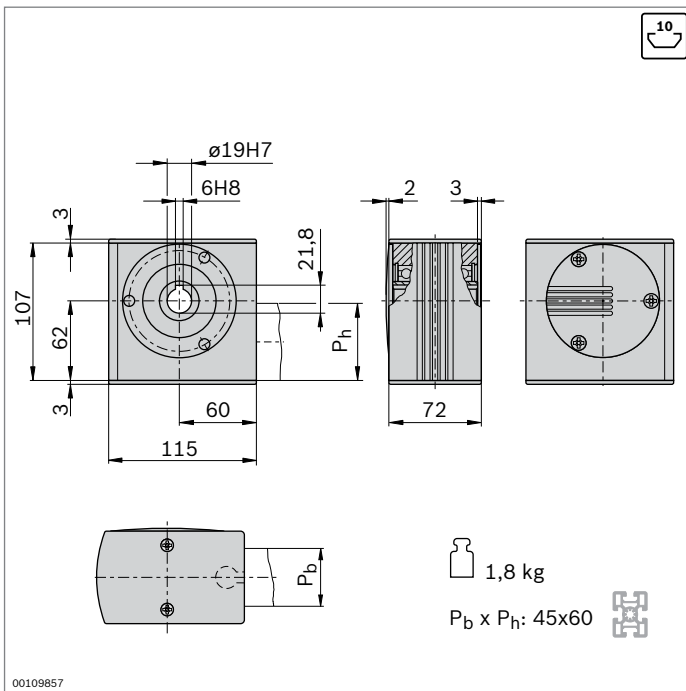


- ▶ Drive head for transferring drive torque to a toothed belt
- ▶ For direct mounting of a motor or (in conjunction with a center shaft) for mounting a hollow shaft gear or a coupling (p. 13-46)
- ▶ Mounted with longitudinal end connector directly on profile 45x60
- ▶ Profile finishing: LF blind hole drilling for longitudinal end connector

Drive head	No.	FS
LF6S	3 842 526 410	2xFS3, FS4

Material: aluminum, anodized  
Hollow shaft: steel; galvanized  
Caps: PA; black

Scope of delivery: incl. fastening material (FS), cover caps

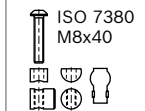


1,8 kg

P<sub>b</sub> x P<sub>h</sub>: 45x60

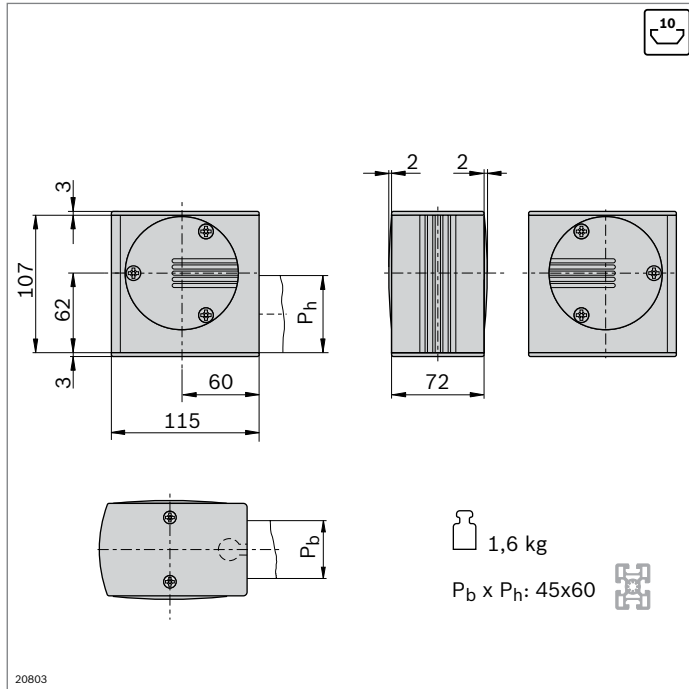


**FS3**



**FS4**



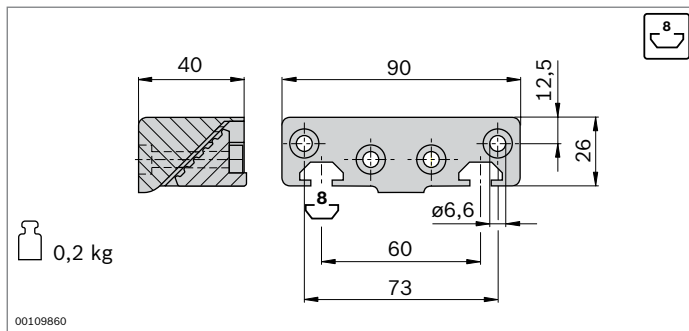
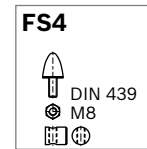
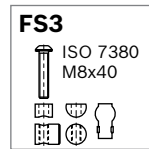


- ▶ Return head for tensioning the toothed belt and changing its direction
- ▶ Mounted directly on profile using longitudinal end connector
- ▶ Profile finishing: LF blind hole drilling for longitudinal end connector

Return head	No.	FS
LF6S	3 842 526 411	2xFS3, FS4

Material: aluminum, anodized  
Hollow shaft: steel; galvanized  
Caps: PA; black

Scope of delivery: incl. fastening material (FS), cover caps

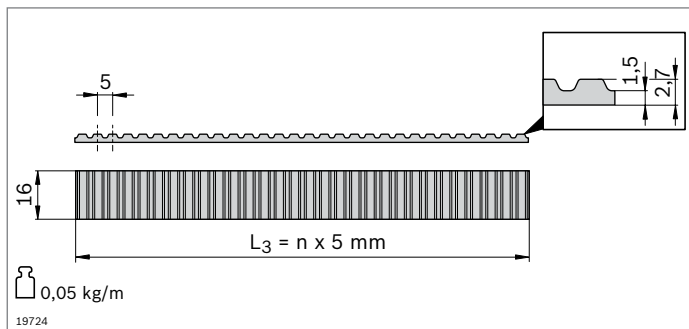
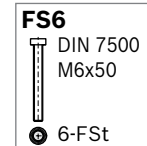
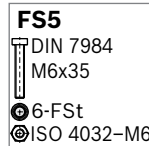


- ▶ Belt connector for fixing the toothed belt on the front of the trolley
- ▶ All connecting parts for mounting on the trolley profile LF6S are included

Belt connector	No.	FS
LF6S	2 3 842 535 682	2xFS5, 2xFS6

Material: aluminum, painted black

Scope of delivery: incl. fastening material (FS)

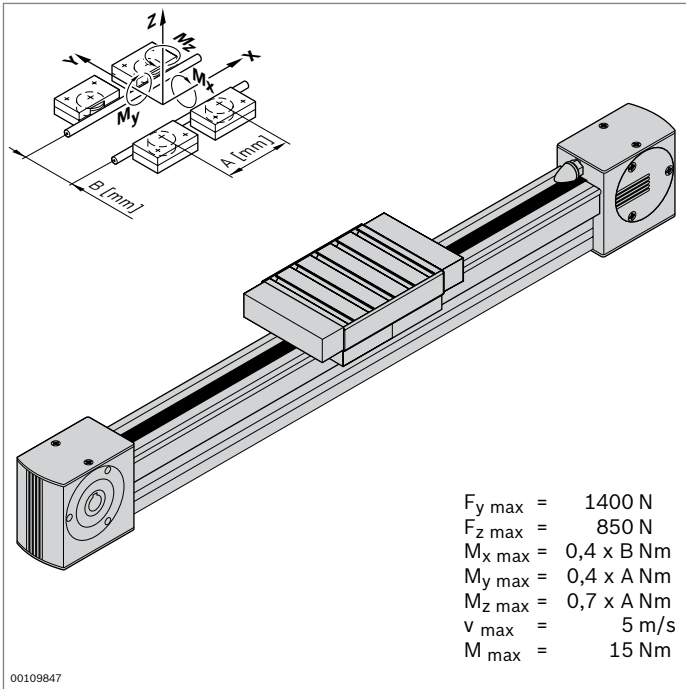


- ▶ Toothed belt as a trolley drive
- ▶ Pitch: AT5

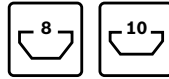
Toothed belt	$L_3$ (mm)	No.
LF6S	300 ... 50000	3 842 994 659 / $L_3$ <sup>1)</sup>
	50000	3 842 513 646

<sup>1)</sup>  $L_3 = 2xL_2 - L_1 + 360$

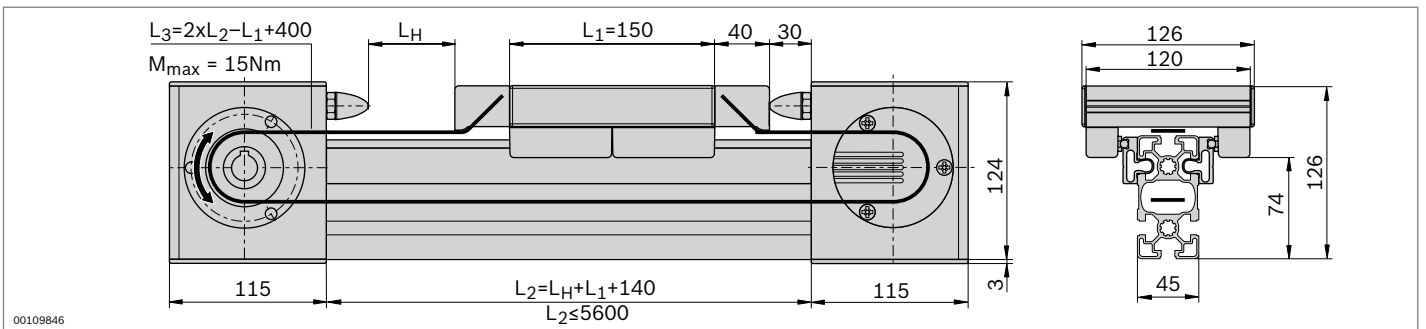
Material: PU with embedded steel wires



### Cam roller guide LF6C – complete axis



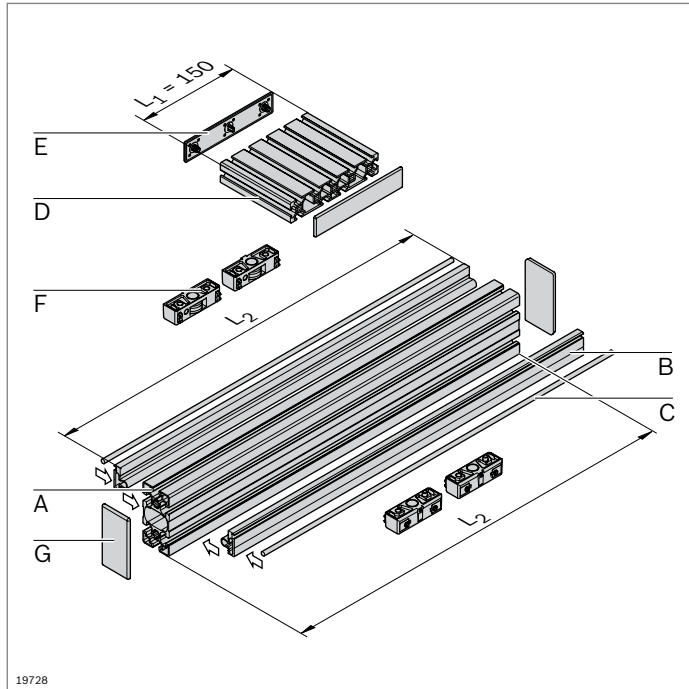
- ▶ Fully assembled cam roller guide
- ▶ Stroke can be individually selected
- ▶ Clamping profile clipped into strut profile 45x90L
- ▶ Incl. toothed belt drive; additional notes on the drive concept (p. 13-44)



### Technical data

For notes on layout and drive, see page 13-50

Complete axis	$L_H$ (mm)	No.
LF6C	50 ... 5310	3 842 998 496 / $L_H$

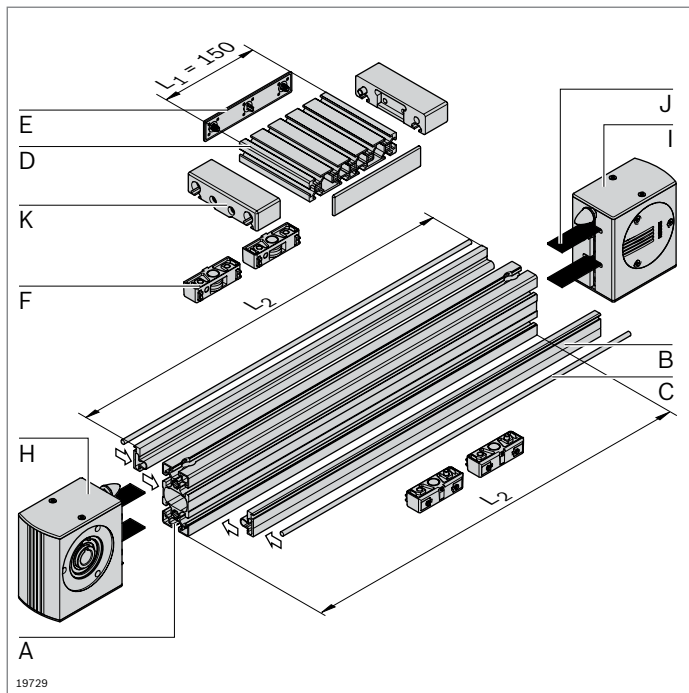


### Cam roller guide LF6C – components

- Components for the individual assembly of cam roller guides, with or without drive

#### Parts list for cam roller guide LF6C without drive

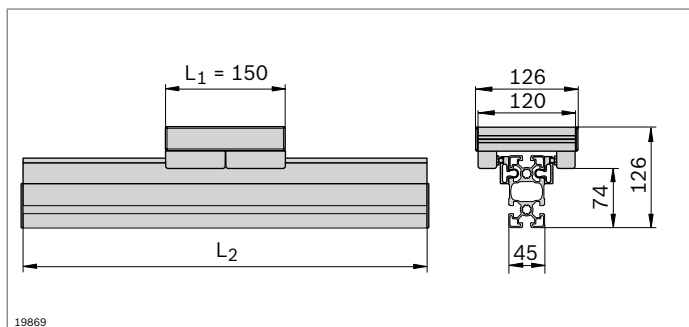
Component	No.	Qty.	Page
A Profile 45x90L	3 842 992 432 / L <sub>2</sub>	1	2-42
B Clamping profile LF6C	3 842 992 925 / L <sub>2</sub>	2	13-13
C Guide rod LF6	3 842 993 967 / L <sub>2</sub>	2	13-13
D Trolley profile LF6C	3 842 993 952 / 120 mm	1	13-13
E Cover cap LF6C	3 842 539 120	2	13-14
F Guide bearing LF6	3 842 535 662	4	13-13
G Cover cap 45x90	3 842 548 757	2	2-42



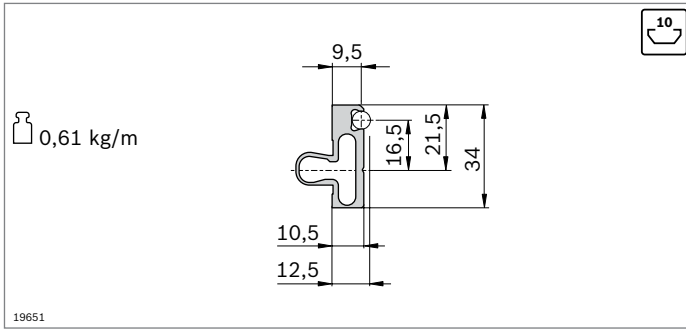
#### Parts list for cam roller guide LF6C with drive

Component	No.	Qty.	Page
A Profile 45x90L LF6C LF	3 842 993 084 / L <sub>2</sub>	1	2-42
B Clamping profile LF6C	3 842 992 925 / L <sub>2</sub>	2	13-13
C Guide rod LF	3 842 993 967 / L <sub>2</sub>	2	13-13
D Trolley profile LF6C	3 842 993 952 / 120 mm	1	13-13
E Cover cap LF6C	3 842 539 120	2	13-14
F Guide bearing LF6	3 842 535 662	4	13-13
H Drive head LF6C	3 842 526 416	1	13-14
I Return head LF6C	3 842 526 417	1	13-15
J Toothed belt LF6C	3 842 994 711 / L <sub>3</sub> <sup>1)</sup>	1	13-15
K Belt connector LF6C	3 842 535 681	2	13-15

<sup>1)</sup> L<sub>3</sub> = 2xL<sub>2</sub> - L<sub>1</sub> + 400



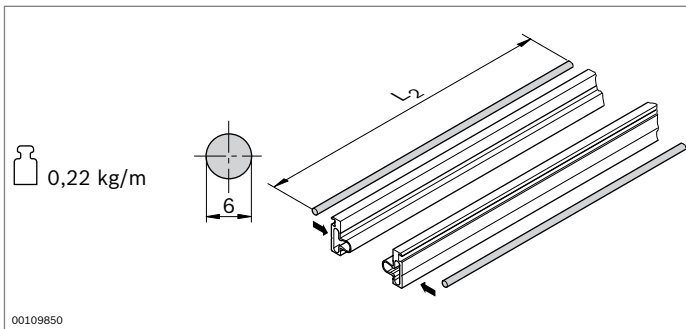




- ▶ The clamping profile is clipped into any 10 mm slot of the strut profile and it holds the guide rods

Clamping profile	L <sub>2</sub> (mm)		No.
<b>LF6C</b>	1 pcs	150 ... 3000	<b>3 842 992 925 / L<sub>2</sub></b>
	20 pcs	3000	<b>3 842 518 896</b>

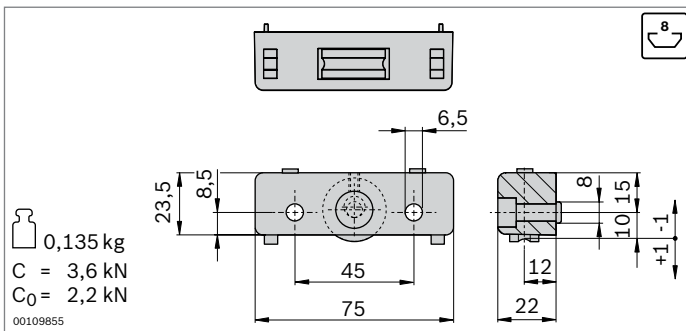
Material: aluminum, anodized



- ▶ The guide rod is pressed into the clamping profile
- ▶ The guide rod guides the guide bearing

Guide rod	L <sub>2</sub> (mm)	No.
<b>LF6</b>	150 ... 3000	1 <b>3 842 993 967 / L<sub>2</sub></b>
	3000	20 <b>3 842 539 414</b>

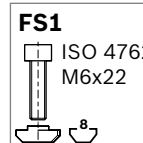
Material: Solid shaft VA, induction hardened, polished  
 Condition on delivery: ungreased; greasing according to assembly instructions **3 842 527 226**



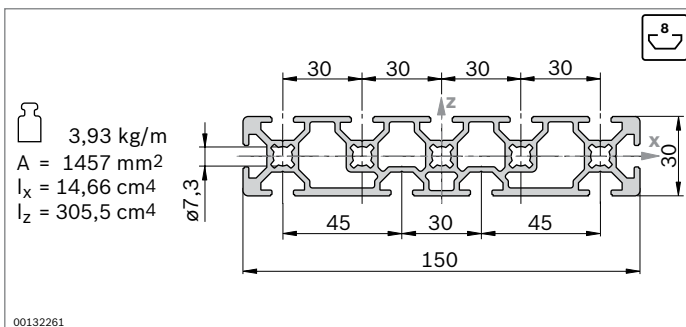
- ▶ Guide bearing for trolley construction
- ▶ Guiding via guide rod
- ▶ Rollers with ball bearings, permanently lubricated
- ▶ Lubricating felts with guide rod lubrication reservoir
- ▶ Play-free roller adjustment via eccentric bolts

Guide bearing	No.	FS
<b>LF6</b>	2 <b>3 842 535 662</b>	2xFS1

Material: Housing: Die-cast aluminum  
 Roller: steel, hardened, polished  
 Scope of delivery: incl. fastening material (FS)  
 Condition on delivery: lubricating felts ungreased; greasing according to assembly instructions **3 842 527 226**

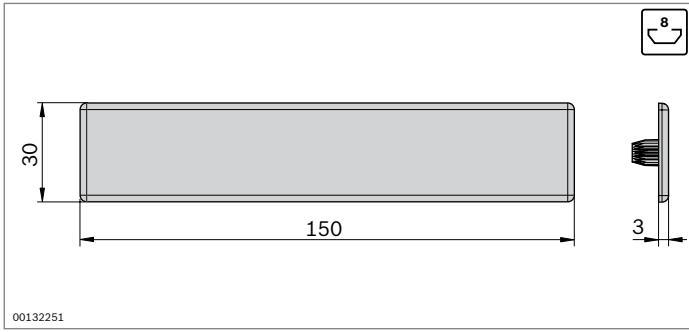


- ▶ Trolley profile for the construction of trolley LF6C



Trolley profile	L (mm)	No.
<b>LF6C</b>	150 ... 3000	<b>3 842 993 952 / L</b>

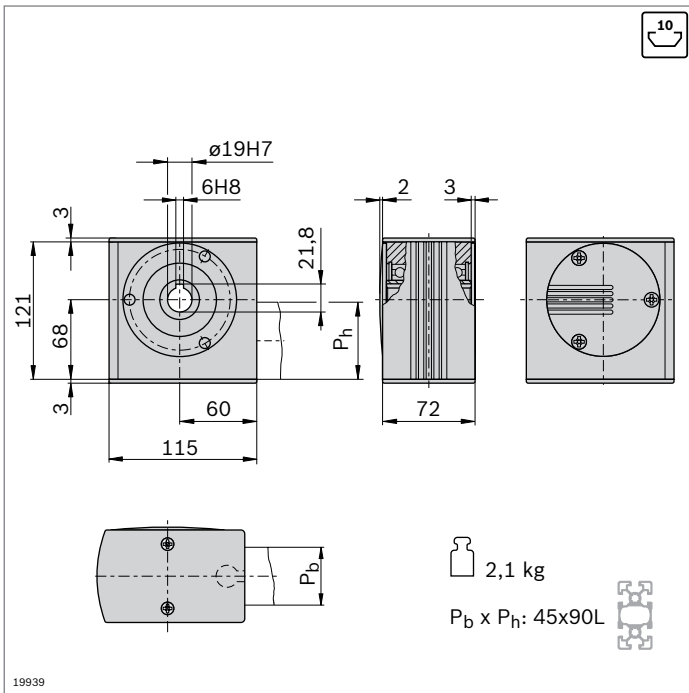
Material: aluminum, anodized



- ▶ Cover cap for trolley profile LF6C
- ▶ For use on trolleys which are not driven by a toothed belt

Cover cap	No.
LF6C	2 3 842 539 120

Material: PA; black

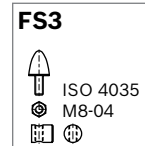
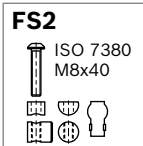


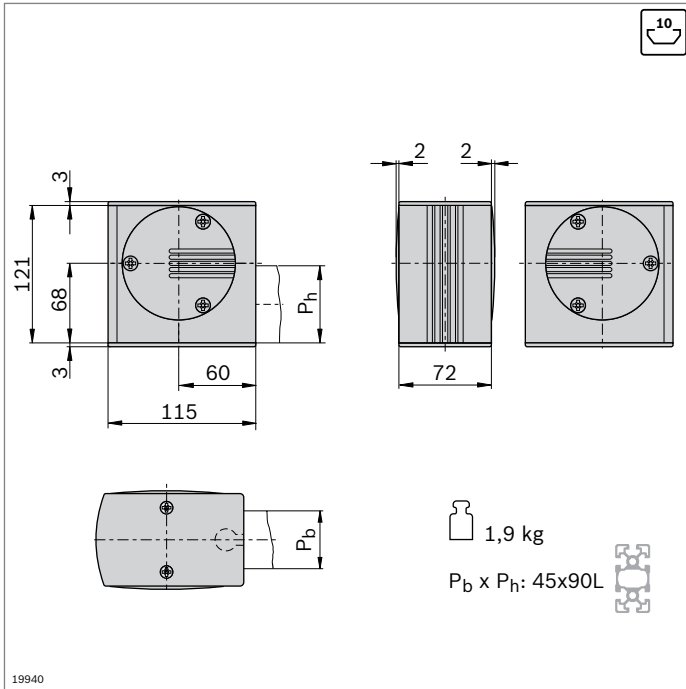
- ▶ Drive head for transferring drive torque to a toothed belt
- ▶ For direct mounting of a motor or (in conjunction with a center shaft) for mounting a hollow shaft gear or a coupling (p. 13-46)
- ▶ Mounted directly on profile 45x90L using longitudinal end connector
- ▶ Profile finishing: LF blind hole drilling for longitudinal end connector

Drive head	No.	FS
LF6C	3 842 526 416	2xFS2, FS3

Material: aluminum, anodized  
Hollow shaft: steel; galvanized  
Caps: PA; black

Scope of delivery: incl. fastening material (FS), cover caps



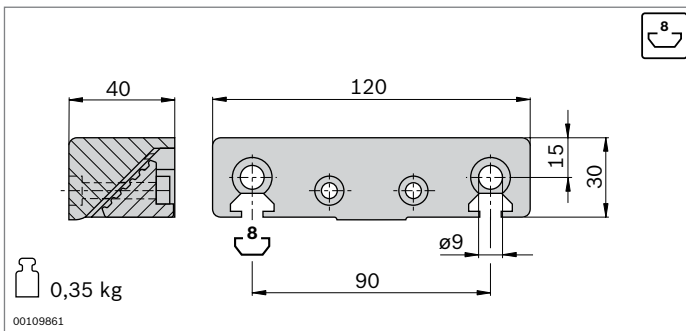
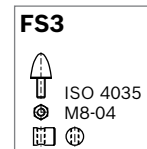
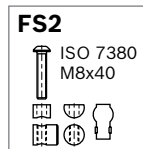


- ▶ Return head for tensioning the toothed belt and changing its direction
- ▶ Mounted directly on profile 45x90L using longitudinal end connector
- ▶ Profile finishing: LF blind hole drilling for longitudinal end connector

Return head	No.	FS
<b>LF6C</b>	<b>3 842 526 417</b>	2xFS2, FS3

Material: aluminum, anodized  
Hollow shaft: steel; galvanized  
Caps: PA; black

Scope of delivery: incl. fastening material (FS), cover caps

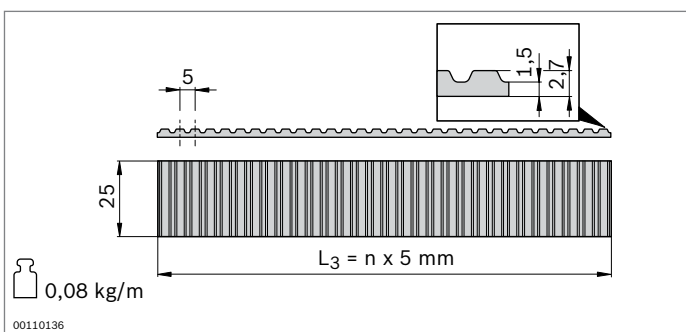
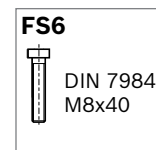
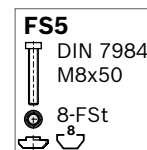


- ▶ Belt connector for fastening the toothed belt to the trolley slot
- ▶ All connecting parts for mounting on the trolley profile LF6C are included

Belt connector	No.	FS
<b>LF6C</b>	2 <b>3 842 535 681</b>	2xFS4, 2xFS5, 2xFS6

Material: aluminum, painted black

Scope of delivery: incl. fastening material (FS)

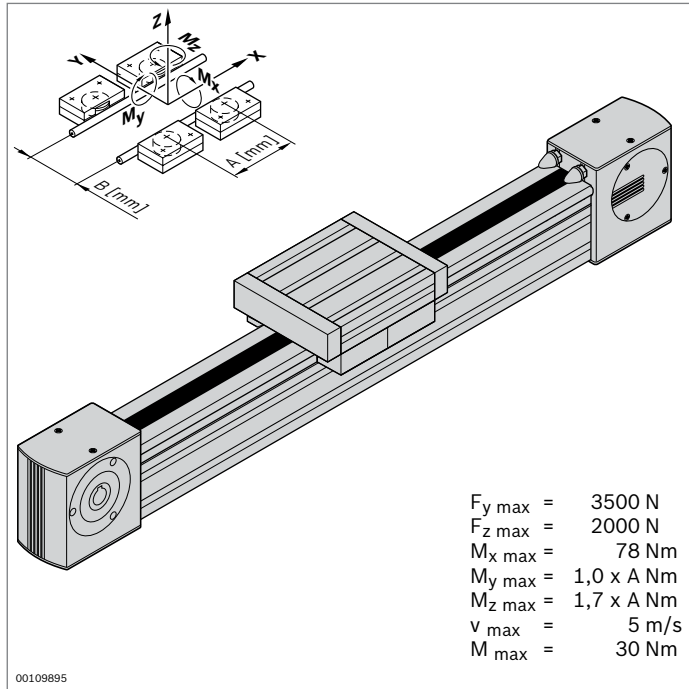


- ▶ Toothed belt as a trolley drive
- ▶ Pitch: AT5

Toothed belt	L <sub>3</sub> (mm)	No.
<b>LF6C</b>	300 ... 50000	<b>3 842 994 711 / L<sub>3</sub><sup>1)</sup></b>
	50000	<b>3 842 518 856</b>

<sup>1)</sup> L<sub>3</sub> = 2xL<sub>2</sub> - L<sub>1</sub> + 400

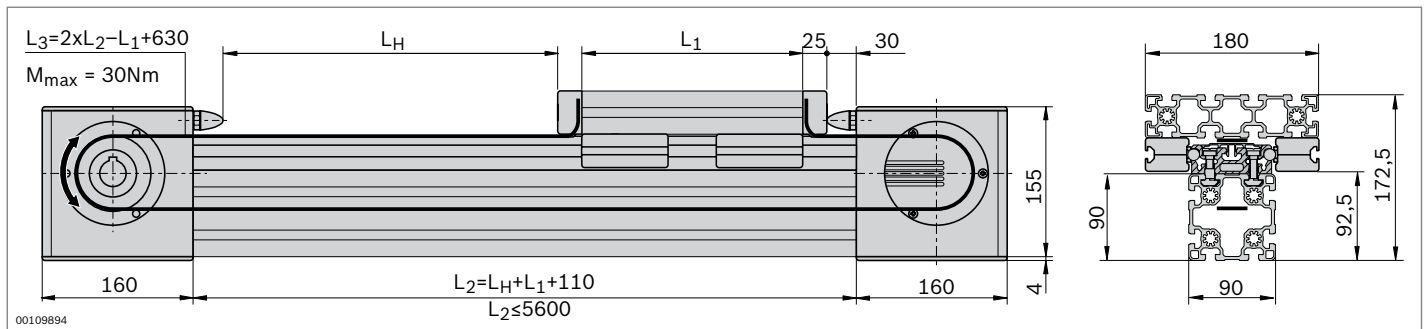
Material: PU with embedded steel wires



### Cam roller guide LF12S – complete axis



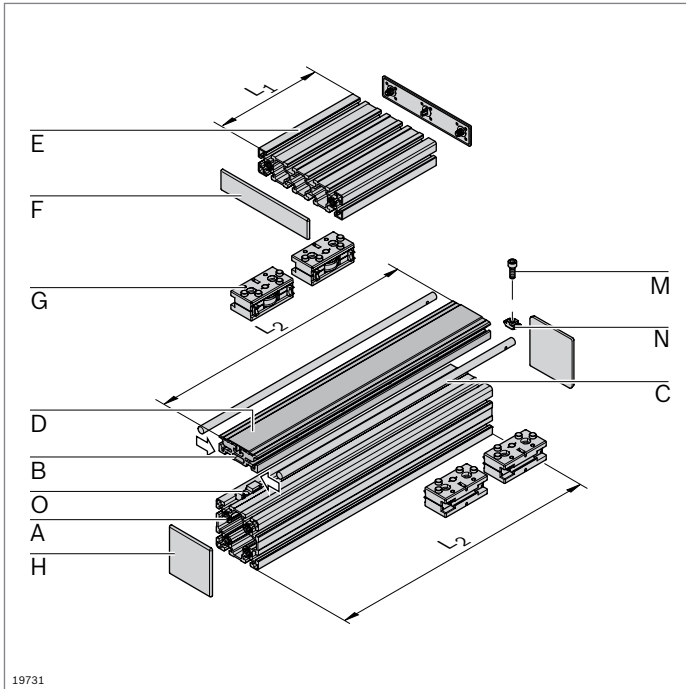
- ▶ Fully assembled cam roller guide
- ▶ Stroke and trolley length can be individually selected
- ▶ Rail profile screwed onto strut profile 90x90L
- ▶ Incl. toothed belt drive; additional notes on the drive concept (p. 13-44)



### Technical data

See pages 13-57 for notes on layout and drive

Complete axis	$L_H/L_1$ (mm)	No.
LF12S	$L_1 + 50 \leq L_H \leq 5310$ $180 \leq L_1 \leq 1000$	3 842 998 497 / $L_H / L_1$



19731

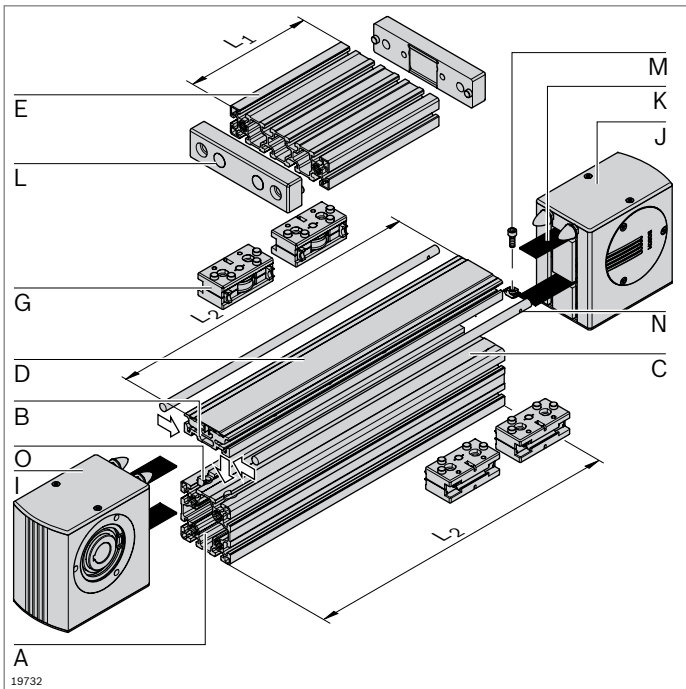
### Cam roller guide LF12S – components

- Components for the individual assembly of cam roller guides, with or without drive

#### Parts list for cam roller guide LF12S without drive

Component	No.	Qty.	Page
<b>A</b> Profile 90x90L	3 842 992 415 / L <sub>2</sub>	1	2-46
<b>B</b> Guide profile LF12S	3 842 992 438 / L <sub>2</sub>	1	13-18
<b>C</b> Guide rod LF12	3 842 993 968 / L <sub>2</sub>	2	13-18
<b>D</b> Cover profile LF12S	3 842 993 062 / L <sub>2</sub>	1	13-18
<b>E</b> Profile 45x180	3 842 990 335 / L <sub>1</sub>	1	2-44
<b>F</b> Cover cap 45x180	3 842 548 795	2	2-44
<b>G</b> Guide bearing LF12	3 842 535 664	4	13-19
<b>H</b> Cover cap 90x90L	3 842 548 759	2	2-46
<b>M</b> Cylinder bolt DIN 7984 – M8x30		n <sup>1)</sup>	
<b>N</b> T-nut M8, 10 mm slot	3 842 530 287	n <sup>1)</sup>	3-4
<b>O</b> Sliding block	3 842 146 877	n <sup>1)</sup>	13-18

<sup>1)</sup> For identification see page 13-18



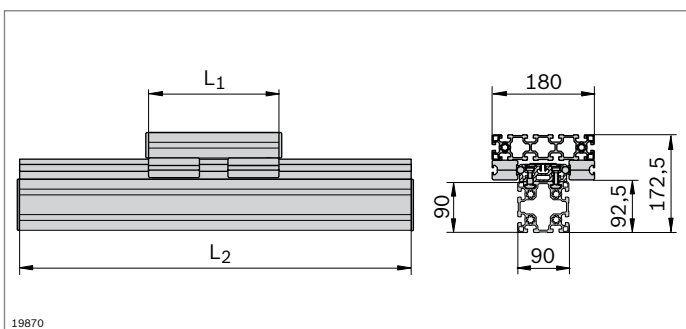
19732

#### Parts list for cam roller guide LF12S with drive

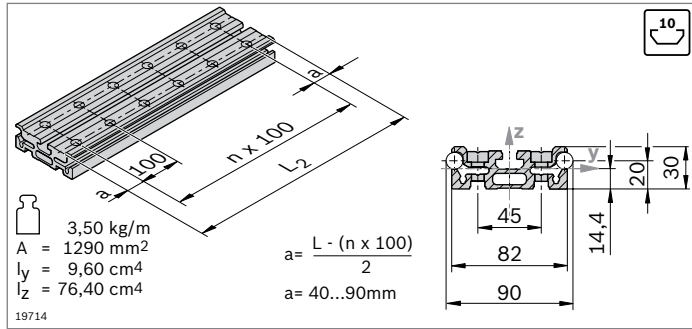
Component	No.	Qty.	Page
<b>A</b> Profile 90x90L LF12S	3 842 992 418 / L <sub>2</sub>	1	2-46
<b>B</b> Guide profile LF12S	3 842 992 438 / L <sub>2</sub>	1	13-18
<b>C</b> Guide rod LF12	3 842 993 968 / L <sub>2</sub>	2	13-18
<b>D</b> Cover profile LF12S	3 842 993 062 / L <sub>2</sub>	1	13-18
<b>E</b> Profile 45x180 M12	3 842 990 339 / L <sub>1</sub>	1	2-44
<b>G</b> Guide bearing LF12	3 842 535 664	4	13-19
<b>I</b> Drive head LF12S	3 842 526 412	1	13-21
<b>J</b> Return head LF12S	3 842 526 413	1	13-21
<b>K</b> Toothed belt	3 842 994 821 / L <sub>3</sub> <sup>1)</sup>	1	13-22
<b>L</b> Belt connector	3 842 535 680	2	13-22
<b>M</b> Cylinder bolt DIN 7984 – M8x30		n <sup>2)</sup>	
<b>N</b> T-nut M8, 10 mm slot	3 842 530 287	n <sup>2)</sup>	3-4
<b>O</b> Sliding block	3 842 146 877	n <sup>2)</sup>	13-18

<sup>1)</sup> L<sub>3</sub> = 2xL<sub>2</sub> - L<sub>1</sub> + 630

<sup>2)</sup> For identification see page 13-18



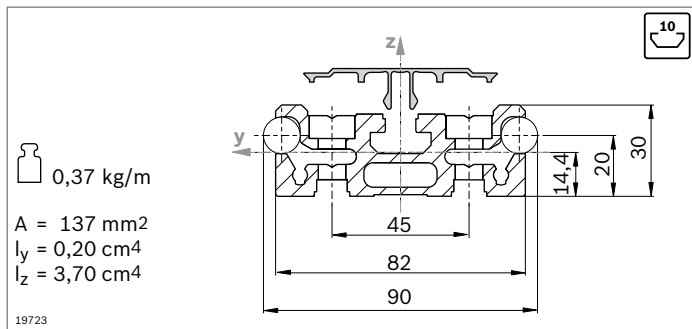
19870



- ▶ Guide profile LF12S to hold the guide rods
- ▶ Installation on MGE strut profiles with 10 mm slot or directly on a flat surface

Guide profile		$L_2$ (mm)	No.
LF12S	1 pcs	150 ... 5600	<b>3 842 992 438 / <math>L_2</math></b>
	5 pcs	5600	<b>3 842 511 841</b>

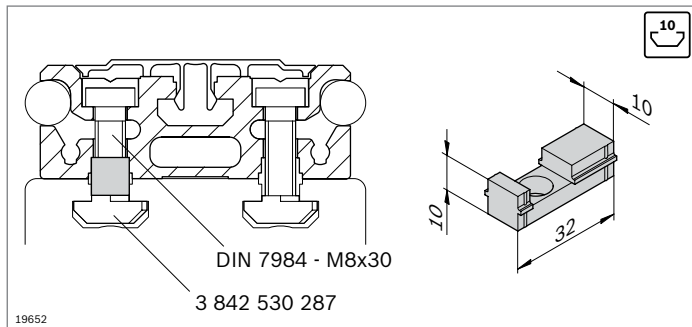
Material: aluminum, anodized  
 Accessories: Cylinder bolt DIN 7984 – M8x30  
 T-nut M8, 10 mm slot, **3 842 530 287**  
 Sliding block, cover profile, guide rod



- ▶ Cover profile to prevent contamination on threaded connections

Cover profile		$L_2$ (mm)	No.
LF12S		150 ... 5600	<b>3 842 993 062 / <math>L_2</math></b>

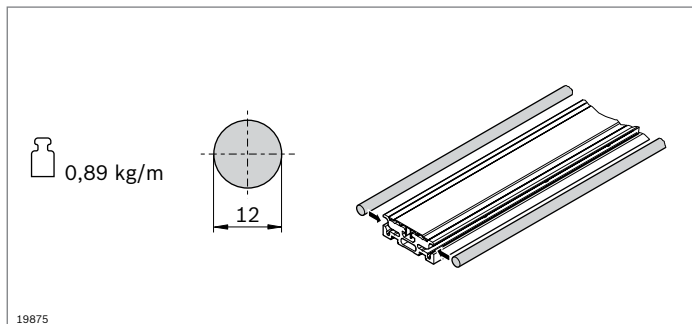
Material: PA; black



- ▶ Sliding block as a centering aid for mounting the guide profile in a 10 mm profile slot

Sliding block		No.
	50	<b>3 842 146 877</b>

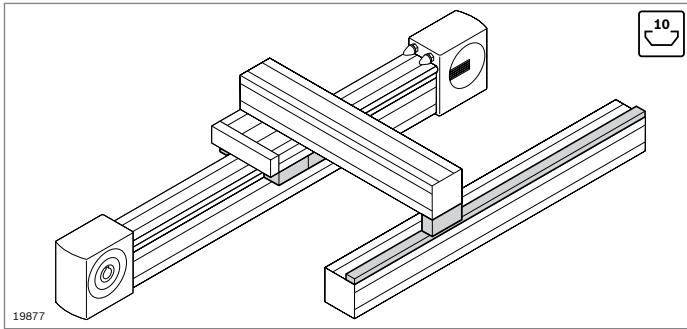
Material: PA; black



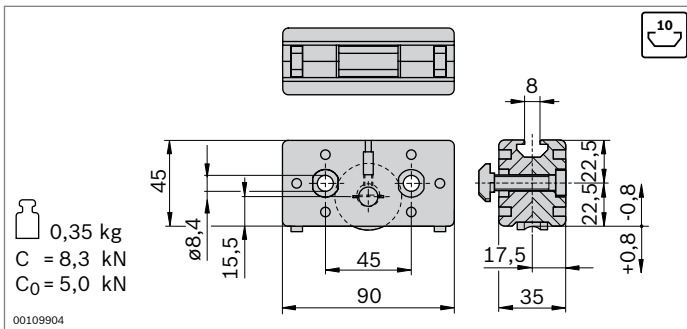
- ▶ The guide rod is pressed into the guide profile
- ▶ The guide rod guides the guide bearing

Guide rod		$L_2$ (mm)	No.
LF12	1	150 ... 2900	<b>3 842 993 968 / <math>L_2</math></b>
	20	2900	<b>3 842 539 415</b>

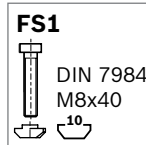
Material: Solid shaft VA, induction hardened and polished  
 Condition on delivery: ungreased; greasing according to assembly instructions **3 842 527 226**



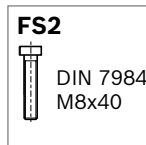
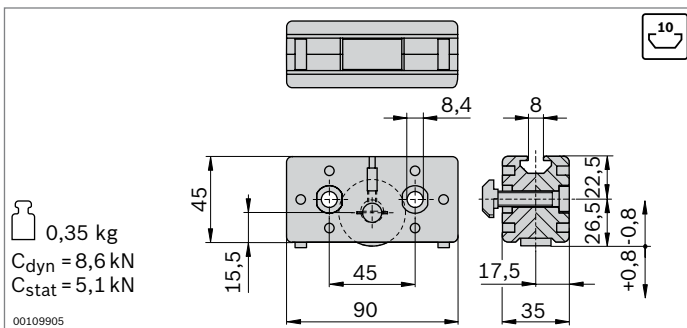
- ▶ Guide bearing for trolley construction
- ▶ Supporting bearing for brackets for bearing off-center forces
- ▶ Guide rail to support supporting bearings (p. 13-20)



- ▶ Guide bearing for trolley construction
- ▶ Guiding via guide rod
- ▶ Rollers with ball bearings, permanently lubricated
- ▶ Lubricating felts with guide rod lubrication reservoir
- ▶ Play-free roller adjustment via eccentric bolts
- ▶ Replacement of the lubricating felts possible from rear in installed state

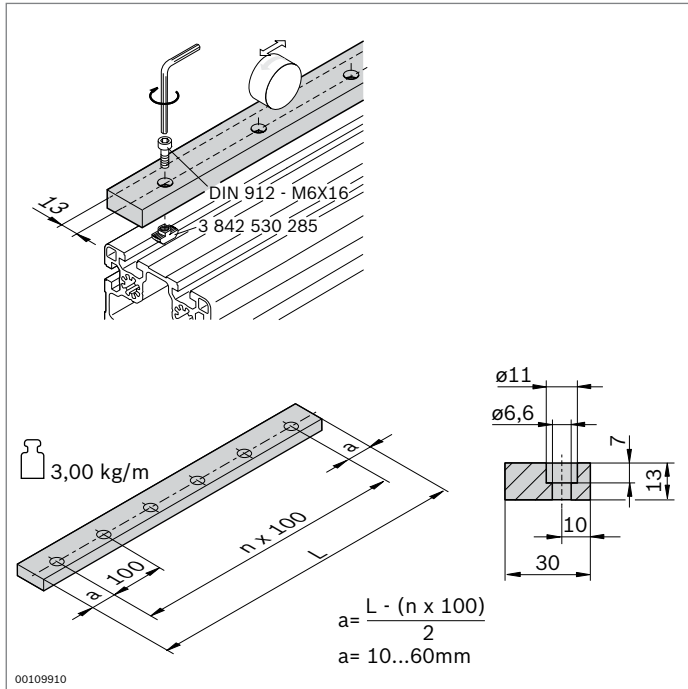


Guide bearing	No.	FS
<b>LF12</b>	2 <b>3 842 535 664</b>	2xFS1
Material:	Housing: Die-cast aluminum Roller: steel, hardened, polished	
Scope of delivery:	incl. fastening material (FS)	
Condition on delivery:	lubricating felts ungreased; greasing according to assembly instructions <b>3 842 527 226</b>	



- ▶ Supporting bearing for brackets for bearing off-center forces
- ▶ For support on the guide rail
- ▶ Rollers with ball bearings, permanently lubricated
- ▶ Lubricating felts with guide rod lubrication reservoir
- ▶ Play-free roller adjustment via eccentric bolts
- ▶ Replacement of the lubricating felts possible from rear in installed state

Supporting bearing	No.	FS
<b>LF12</b>	2 <b>3 842 535 666</b>	2xFS2
Material:	Housing: Die-cast aluminum Roller: steel, hardened, polished	
Scope of delivery:	incl. fastening material (FS)	
Condition on delivery:	lubricating felts ungreased; greasing according to assembly instructions <b>3 842 527 226</b>	

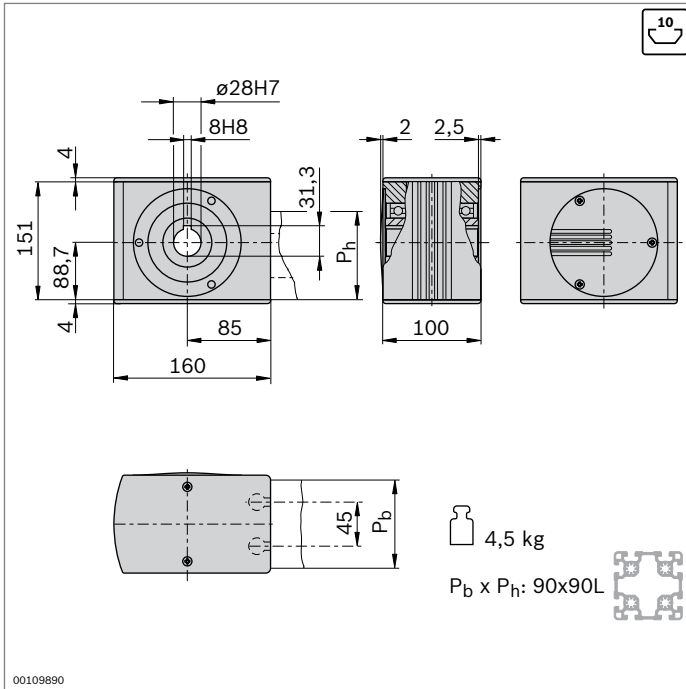


► Guide rail to hold supporting bearings

Guide rail	L (mm)	No.
<b>LF12</b>	120 ... 2000	<b>3 842 994 702 / L</b>

Material: steel, hardened, polished  
 Condition on delivery: ungreased; greasing according to assembly instructions **3 842 527 226**  
 Accessories: cylinder bolt DIN 912 – M6x16  
 T-nut M6, 10 mm slot (**3 842 530 285**)



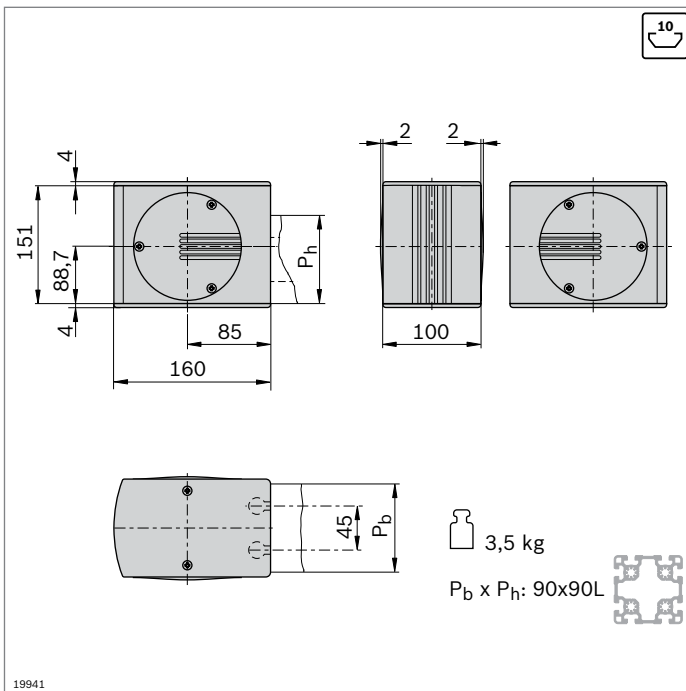
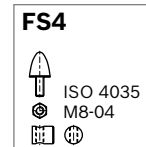
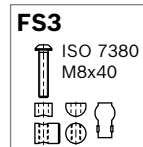


- ▶ Drive head for transferring drive torque to a toothed belt
- ▶ For direct mounting of a motor or (in conjunction with a center shaft) for mounting a hollow shaft gear or a coupling (p. 13-46)
- ▶ Mounted directly on profile by using longitudinal end connector (connector included in scope of delivery)
- ▶ Profile finishing: LF blind hole drilling for longitudinal end connector

Drive head	No.	FS
<b>LF12S</b>	<b>3 842 526 412</b>	2xFS3, 2xFS4

Material: Drive head: aluminum, anodized  
Cover caps: PA, black  
Hollow shaft: steel; galvanized

Scope of delivery: incl. fastening material (FS), cover caps

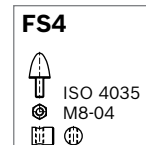
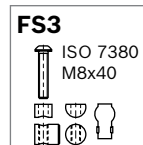


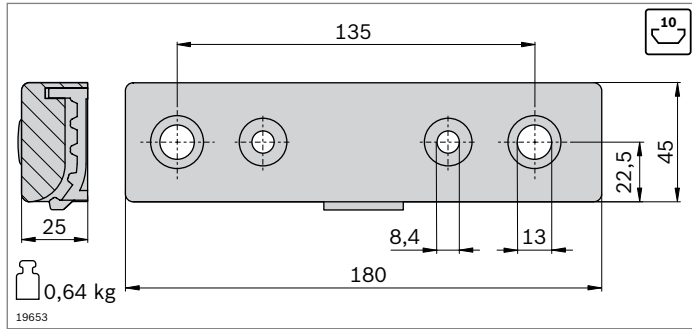
- ▶ Return head for tensioning the toothed belt and changing its direction
- ▶ Mounted directly on profile by using longitudinal end connector (connector included in scope of delivery)
- ▶ Profile finishing: LF blind hole drilling for longitudinal end connector

Return head	No.	FS
<b>LF12S</b>	<b>3 842 526 413</b>	2xFS3, 2xFS4

Material: aluminum, anodized  
Hollow shaft: steel; galvanized  
Caps: PA; black

Scope of delivery: incl. fastening material (FS), cover caps

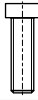



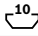
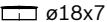
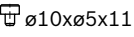


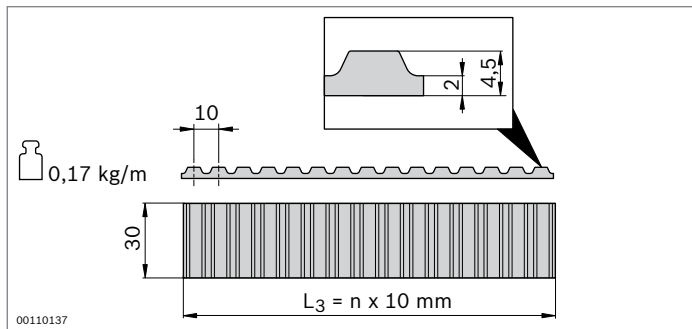


- ▶ Belt connector suitable for trolley built out of strut profiles 45x180
- ▶ All connecting parts included for mounting on the profile end (LF12S) or in the slot (LF12C)
- ▶ Profile finishing for strut profile 45x180 for trolley LF12S: M12

Belt connector	No.	FS
<b>LF12</b>	2	<b>3 842 535 680</b> 2xFS5, 2xFS6, 2xFS7, 2xFS8, 4xFS9

Material: aluminum, painted black  
 Scope of delivery: incl. fastening material (FS)

<b>FS5</b>  DIN 7984 M12x40	<b>FS6</b>  DIN 7984 M8x30 DIN 125 A8,4 	<b>FS7</b>  DIN 7991 M8x30 	<b>FS8</b>  ø18x7
<b>FS9</b>  ø10xø5x11			

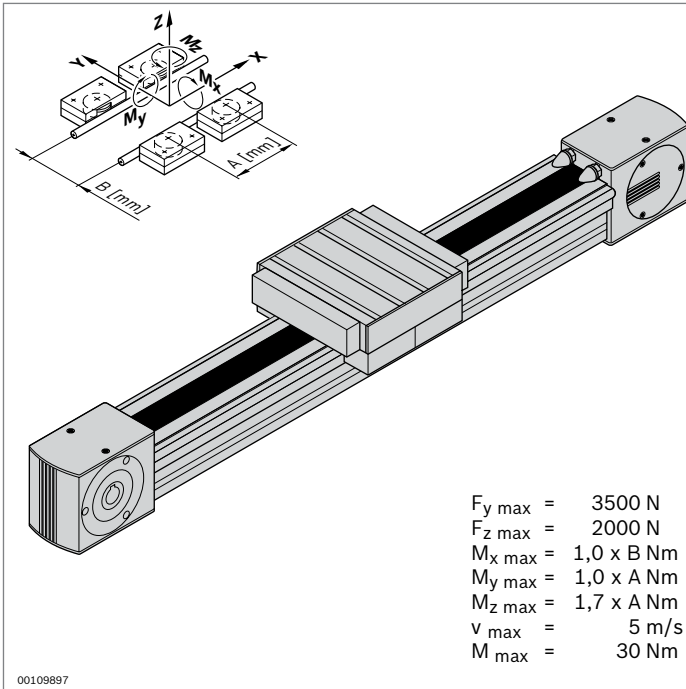


- ▶ Toothed belt as a trolley drive
- ▶ Pitch: AT10

Toothed belt	L <sub>3</sub> (mm)	No.
<b>LF12</b>	300 ... 50000	<b>3 842 994 821 / L<sub>3</sub><sup>1)</sup></b>
	50000	<b>3 842 526 422</b>

<sup>1)</sup> L<sub>3</sub> = 2xL<sub>2</sub> - L<sub>1</sub> + 630

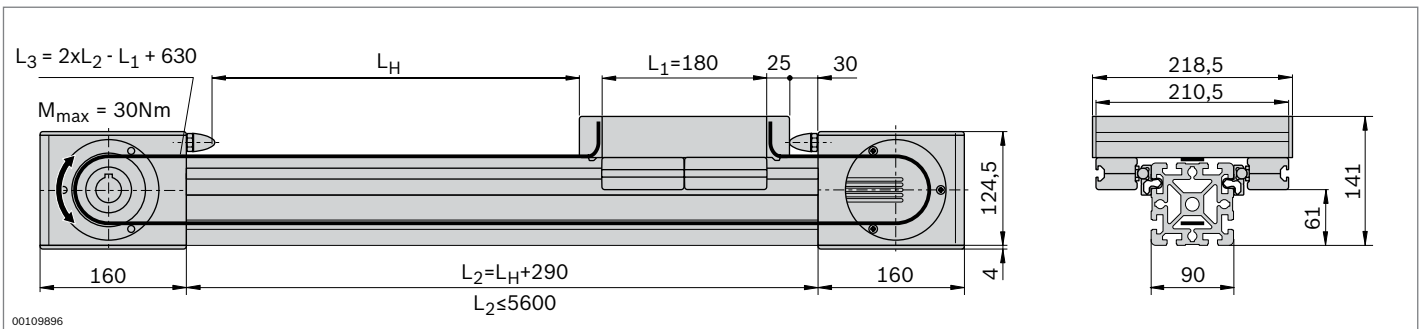
Material: PU with embedded steel wires



### Cam roller guide LF12C – complete axis



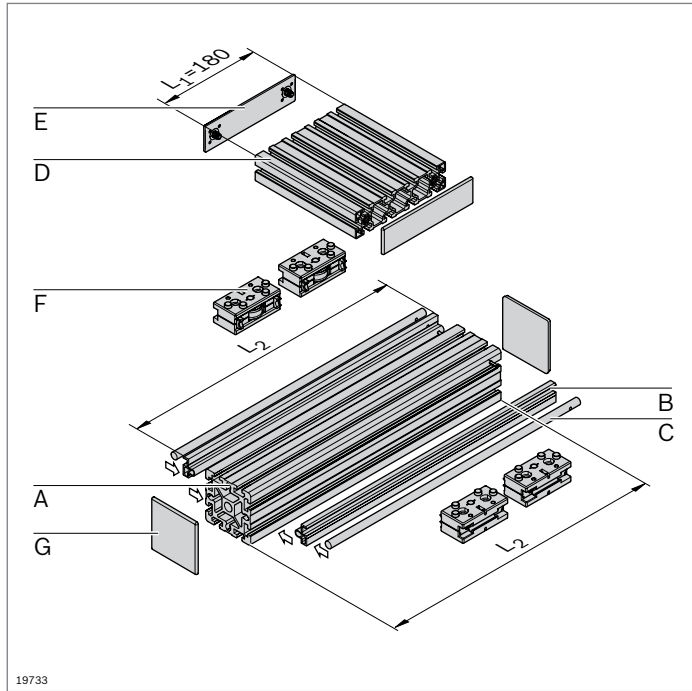
- ▶ Fully assembled cam roller guide
- ▶ Stroke can be individually selected
- ▶ Clamping profile clipped into strut profile 90x90
- ▶ Incl. toothed belt drive; additional notes on the drive concept (p. 13-44)



### Technical data

For notes on layout and drive, see page 13-50

Complete axis	$L_H$ (mm)	No.
LF12C	50 ... 5310	3 842 998 498 / $L_H$

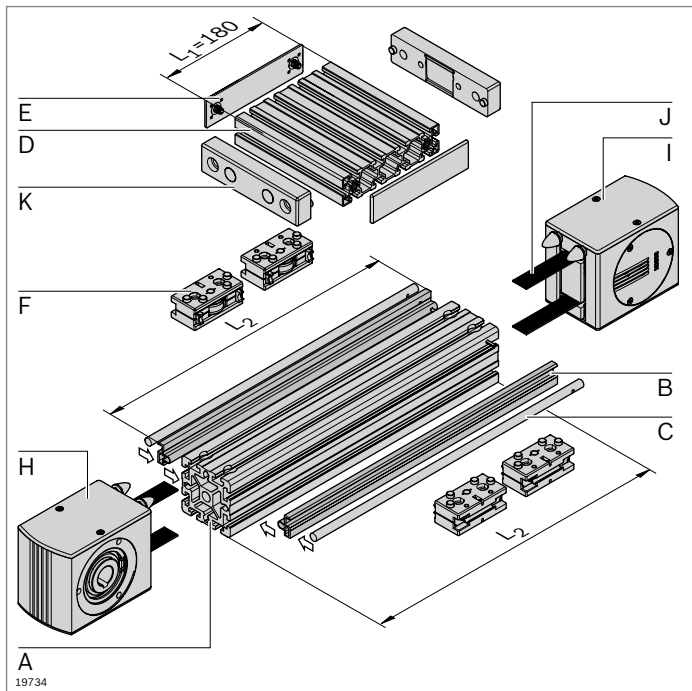


## Cam roller guide LF12C – components

- Components for the individual assembly of cam roller guides, with or without drive

### Parts list for cam roller guide LF12C without drive

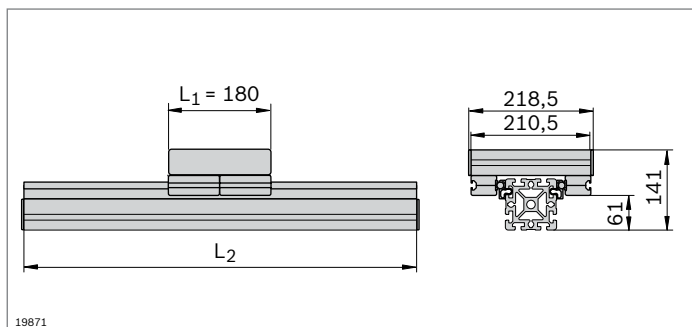
Component	No.	Qty.	Page
<b>A</b> Profile 90x90	<b>3 842 990 500 / L<sub>2</sub></b>	1	2-47
<b>B</b> Clamping profile LF12C	<b>3 842 992 440 / L<sub>2</sub></b>	2	13-25
<b>C</b> Guide rod LF12	<b>3 842 993 968 / L<sub>2</sub></b>	2	13-25
<b>D</b> Profile 45x180	<b>3 842 990 335 / 210.5 mm</b>	1	2-44
<b>E</b> Cover cap 45x180	<b>3 842 548 795</b>	2	2-44
<b>F</b> Guide bearing LF12	<b>3 842 535 664</b>	4	13-26
<b>G</b> Cover cap 90x90	<b>3 842 548 761</b>	2	2-47

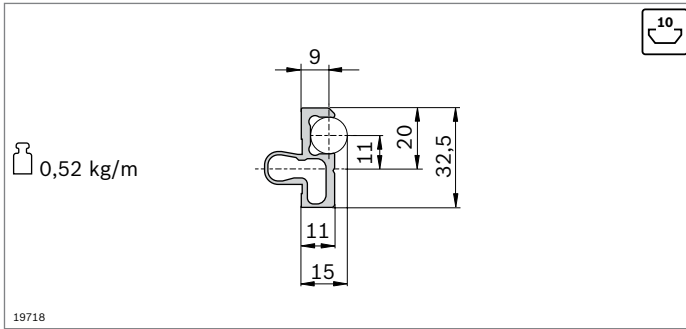


### Parts list for cam roller guide LF12C with drive

Component	No.	Qty.	Page
<b>A</b> Profile 90x90 LF	<b>3 842 993 082 / L<sub>2</sub></b>	1	2-47
<b>B</b> Clamping profile LF12C	<b>3 842 992 440 / L<sub>2</sub></b>	2	13-25
<b>C</b> Guide rod LF12	<b>3 842 993 968 / L<sub>2</sub></b>	2	13-25
<b>D</b> Profile 45x180	<b>3 842 990 335 / 210.5 mm</b>	1	2-44
<b>E</b> Cover cap 45x180	<b>3 842 548 795</b>	2	2-44
<b>F</b> Guide bearing LF12	<b>3 842 535 664</b>	4	13-26
<b>H</b> Drive head LF12C	<b>3 842 526 863</b>	1	13-28
<b>I</b> Return head LF12C	<b>3 842 526 865</b>	1	13-28
<b>J</b> Toothed belt LF12	<b>3 842 994 821 / L<sub>3</sub><sup>1)</sup></b>	1	13-29
<b>K</b> Belt connector LF12	<b>3 842 535 680</b>	2	13-29

<sup>1)</sup> L<sub>3</sub> = 2xL<sub>2</sub> - L<sub>1</sub> + 630

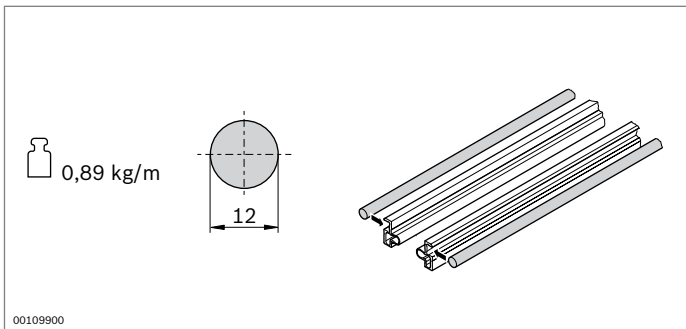




- ▶ The clamping profile is clipped into any chosen strut profile with a 10 mm slot and holds the guide rods

Clamping profile		L <sub>2</sub> (mm)	No.
<b>LF12C</b>	1 pcs	150 ... 3000	<b>3 842 992 440 / L<sub>2</sub></b>
	20 pcs	3000	<b>3 842 518 897</b>

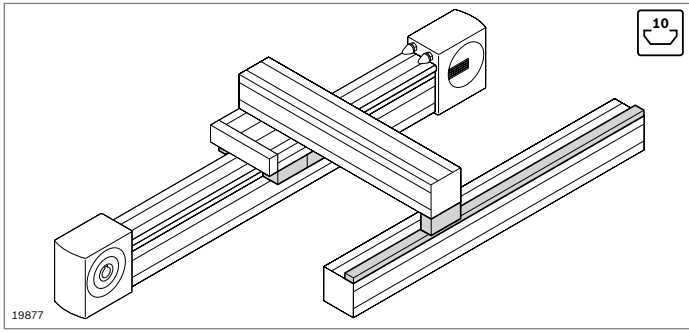
Material: aluminum, anodized



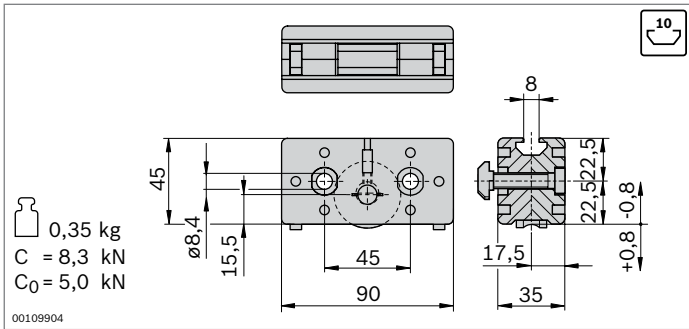
- ▶ The guide rod is pressed into the clamping profile
- ▶ The guide rod guides the guide bearing

Guide rod	L <sub>2</sub> (mm)		No.
<b>LF12</b>	150 ... 2900	1	<b>3 842 993 968 / L<sub>2</sub></b>
	2900	20	<b>3 842 539 415</b>

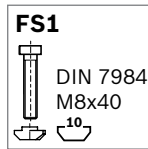
Material: Solid shaft VA, induction hardened and polished  
 Condition on delivery: ungreased; greasing according to assembly instructions **3 842 527 226**



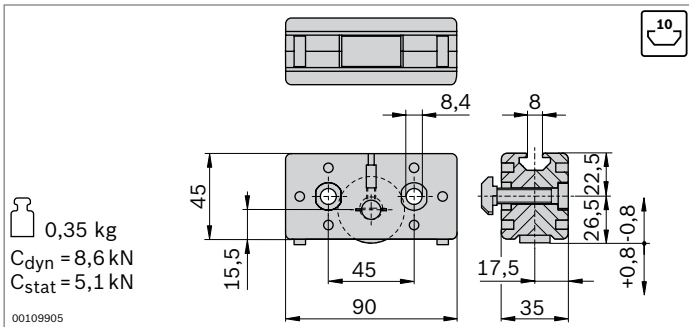
- ▶ Guide bearing for trolley construction
- ▶ Supporting bearing for brackets for bearing off-center forces
- ▶ Guide rail to support supporting bearings (p. 13-27)



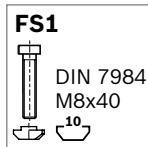
- ▶ Guide bearing for trolley construction
- ▶ Guiding via guide rod
- ▶ Rollers with ball bearings, permanently lubricated
- ▶ Lubricating felts with guide rod lubrication reservoir
- ▶ Play-free roller adjustment via eccentric bolts
- ▶ Replacement of the lubricating felts possible from rear in installed state



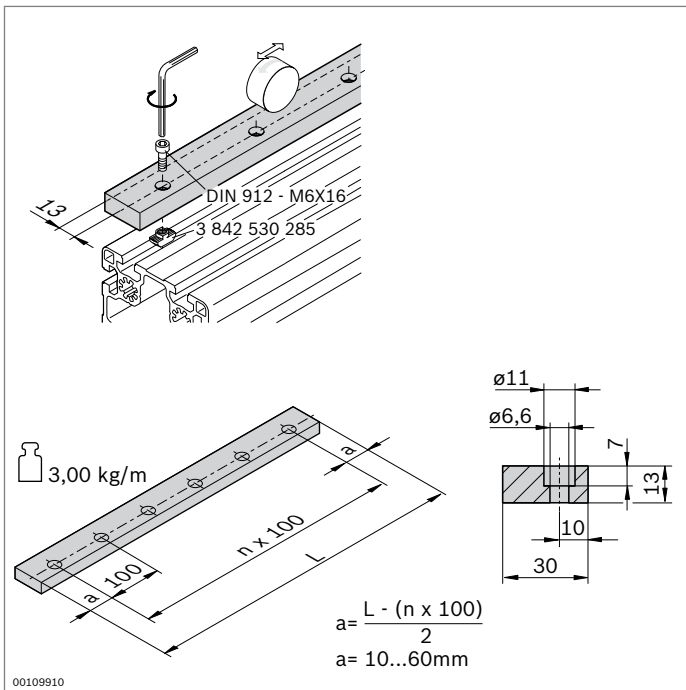
Guide bearing	No.	FS
<b>LF12</b>	2	<b>3 842 535 664</b> 2xFS1
Material:	Guide bearing Die-cast aluminum Roller: steel, hardened, polished	
Scope of delivery:	incl. fastening material (FS)	
Condition on delivery:	lubricating felts ungreased; greasing according to assembly instructions <b>3 842 527 226</b>	



- ▶ Supporting bearing for brackets for bearing off-center forces
- ▶ For support on the guide rail
- ▶ Rollers with ball bearings, permanently lubricated
- ▶ Lubricating felts with guide rod lubrication reservoir
- ▶ Play-free roller adjustment via eccentric bolts
- ▶ Replacement of the lubricating felts possible from rear in installed state

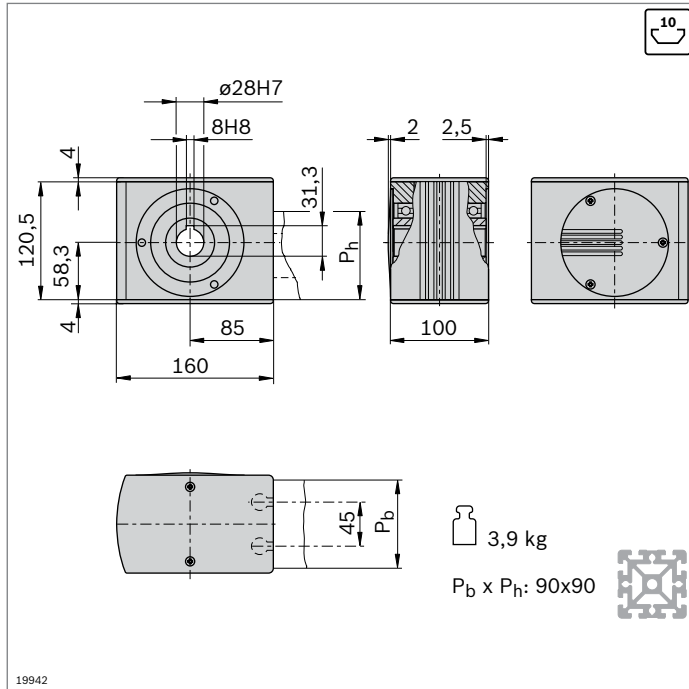


Supporting bearing	No.	FS
<b>LF12</b>	2	<b>3 842 535 666</b> 2xFS1
Material:	Guide bearing Die-cast aluminum Roller: steel, hardened, polished	
Scope of delivery:	incl. fastening material (FS)	
Condition on delivery:	lubricating felts ungreased; greasing according to assembly instructions <b>3 842 527 226</b>	



► Guide rail to hold supporting bearings

Guide rail	L (mm)	No.
<b>LF12</b>	120 ... 2000	<b>3 842 994 702 / L</b>
Material:	steel, hardened, polished	
Condition on delivery:	ungreased; greasing according to assembly instructions <b>3 842 527 226</b>	
Accessories:	cylinder bolt DIN 912 – M6x16 T-nut M6, 10 mm slot ( <b>3 842 530 285</b> )	



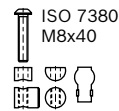
- ▶ Drive head for transferring drive torque to a toothed belt
- ▶ For direct mounting of a motor or (in conjunction with a center shaft) for mounting a hollow shaft gear or a coupling (p. 13-46)
- ▶ Mounted directly on profile by using longitudinal end connector (connector included in scope of delivery)
- ▶ Profile finishing: LF blind hole drilling for longitudinal end connector

Drive head	No.	FS
<b>LF12C</b>	<b>3 842 526 863</b>	4xFS2, 2xFS3

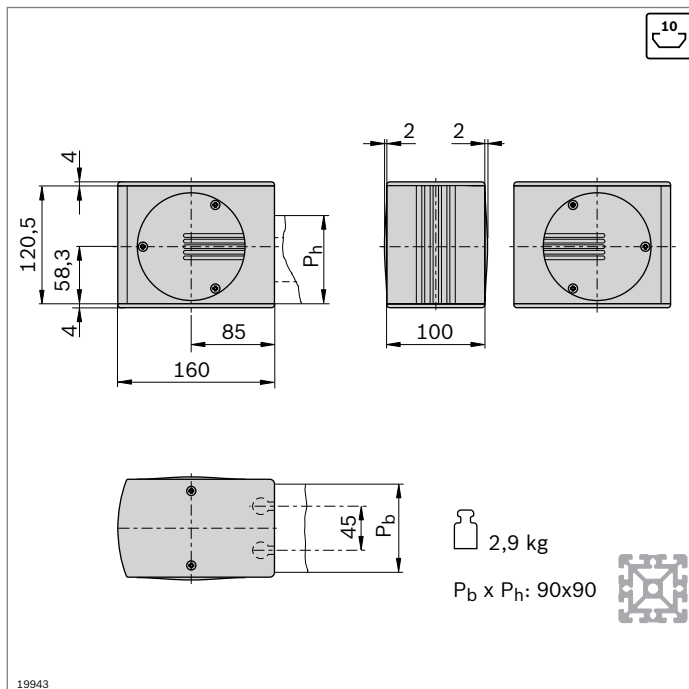
Material: Drive head aluminum, anodized  
Hollow shaft: steel; galvanized  
Caps: PA; black

Scope of delivery: incl. fastening material (FS), cover caps

**FS2**



**FS3**



- ▶ Return head for tensioning the toothed belt and changing its direction
- ▶ Mounted directly on profile by using longitudinal end connector (connector included in scope of delivery)
- ▶ Profile finishing: LF blind hole drilling for longitudinal end connector

Return head	No.	FS
<b>LF12C</b>	<b>3 842 526 865</b>	4xFS2, 2xFS3

Material: Return head: aluminum, anodized  
Hollow shaft: steel; galvanized  
Caps: PA; black

Scope of delivery: incl. fastening material (FS), cover caps

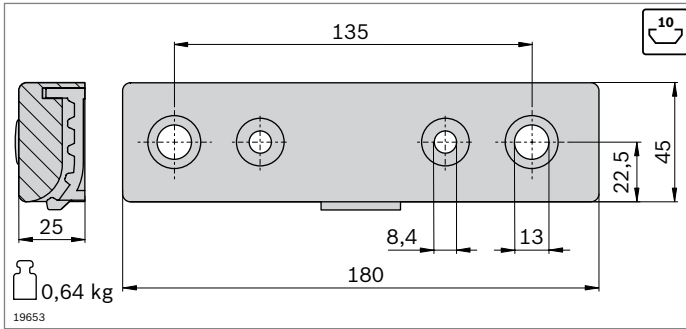
**FS2**



**FS3**







- ▶ Belt connector suitable for trolley built out of strut profiles 45x180
- ▶ All connecting parts included for mounting at the profile end (LF12S) or the slot (LF12C)
- ▶ Profile finishing for strut profile 45x180 for trolley LF12S: M12

Belt connector	No.	FS
<b>LF12</b>	2 <b>3 842 535 680</b>	2xFS4, 2xFS5, 2xFS6, 2xFS7, 4xFS8

Material: aluminum, painted black  
 Scope of delivery: incl. fastening material (FS)

**FS4**

DIN7984  
M12x40

**FS5**

DIN 7984  
M8x30  
DIN 125  
A8,4

**FS6**

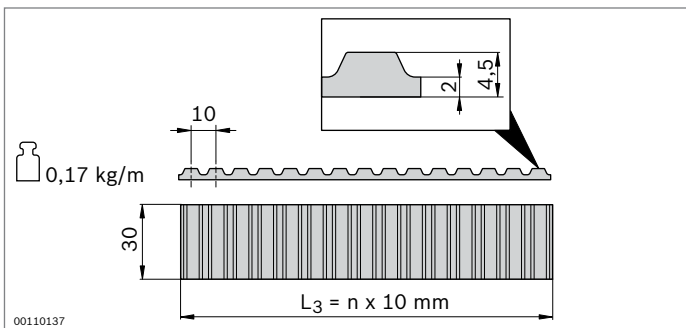
DIN 7991  
M8x30

**FS7**

ø18x7

**FS8**

ø10xø5x11

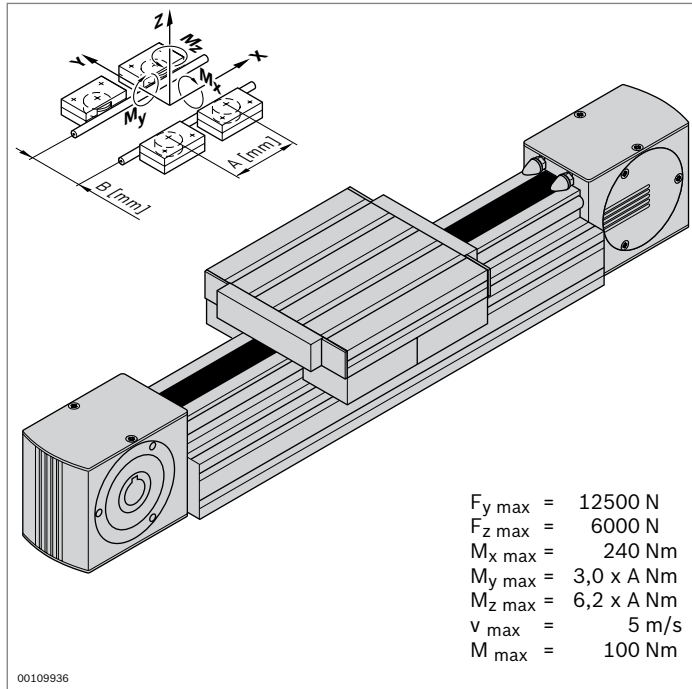


- ▶ Toothed belt as a trolley drive
- ▶ Pitch: AT10

Toothed belt	$L_3$ (mm)	No.
<b>LF12</b>	300 ... 50000	<b>3 842 994 821 / <math>L_3</math><sup>1)</sup></b>
	50000	<b>3 842 526 422</b>

<sup>1)</sup>  $L_3 = 2xL_2 - L_1 + 630$

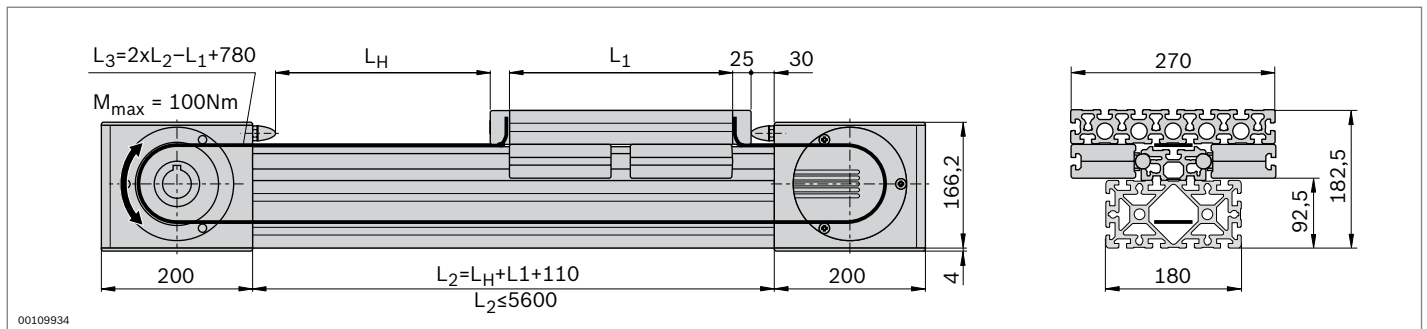
Material: PU with embedded steel wires



### Cam roller guide LF20S – complete axis



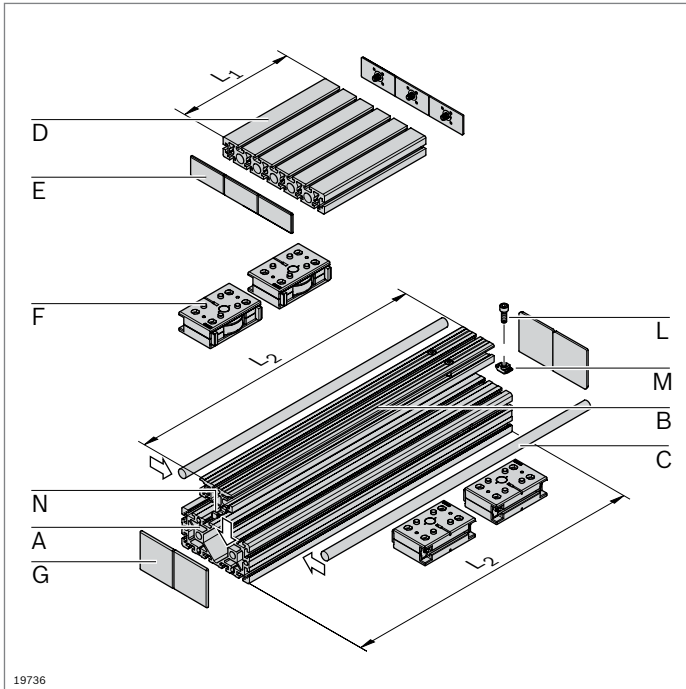
- ▶ Fully assembled cam roller guide
- ▶ Stroke and trolley length can be individually selected
- ▶ Rail profile mounted on strut profile 90x180
- ▶ Incl. toothed belt drive; additional notes on the drive concept (p. 13-44)



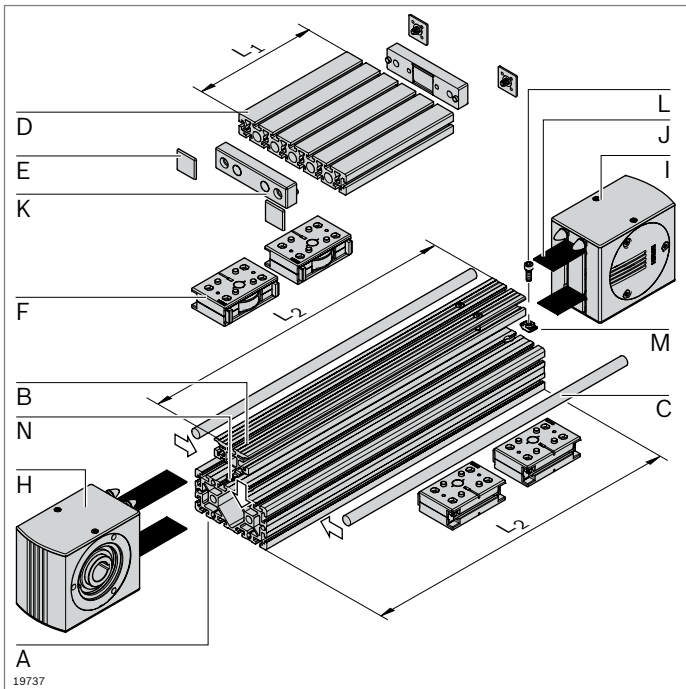
#### Technical data

See pages 13-57 for notes on layout and drive

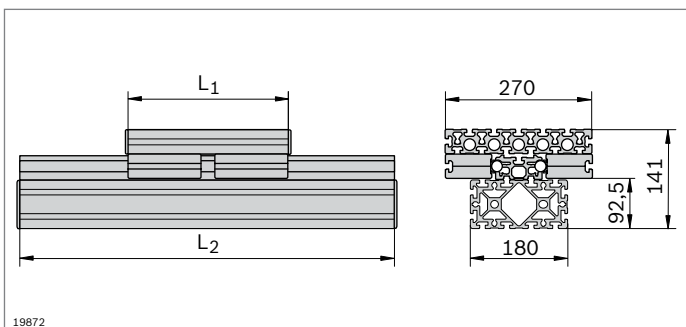
Complete axis	$L_H / L_1$ (mm)	No.
LF20S	$L_1 + 50 \leq L_H \leq 5220$ $270 \leq L_1 \leq 1000$	3 842 998 499 / $L_H / L_1$



19736



19737



19872

## Cam roller guide LF20S – components

- Components for the individual assembly of cam roller guides, with or without drive

### Parts list for cam roller guide LF20S without drive

Component	No.	Qty.	Page
<b>A</b> Profile 90x180	<b>3 842 990 416 / L<sub>2</sub></b>	1	2-48
<b>B</b> Guide profile LF20S	<b>3 842 993 080 / L<sub>2</sub></b>	1	13-32
<b>C</b> Guide rod LF20	<b>3 842 993 969 / L<sub>2</sub></b>	2	13-32
<b>D</b> Profile 45x270	<b>3 842 992 927 / L<sub>1</sub></b>	1	2-45
<b>E</b> Cover cap 45x90	<b>3 842 548 757</b>	6	2-45
<b>F</b> Guide bearing LF20	<b>3 842 535 663</b>	4	13-33
<b>G</b> Cover cap 90x90	<b>3 842 548 761</b>	4	2-47
<b>L</b> Cylinder bolt DIN 7984 – M8x45	n <sup>1)</sup>		
<b>M</b> T-nut M8, 10 mm slot	<b>3 842 530 287</b>	n <sup>1)</sup>	3-4
<b>N</b> Sliding block	<b>3 842 146 877</b>	n <sup>1)</sup>	13-32

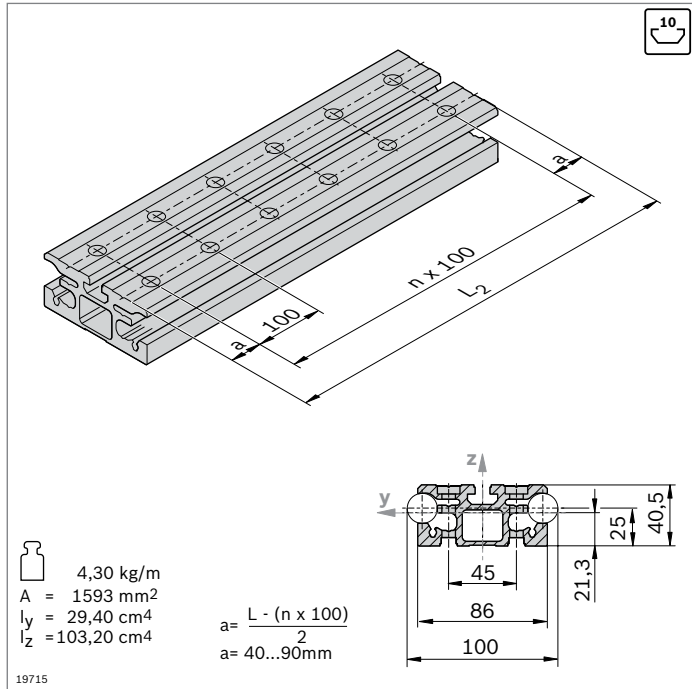
<sup>1)</sup> For identification see page 13-32

### Parts list for cam roller guide LF20S with drive

Component	No.	Qty.	Page
<b>A</b> Profile 90x180 LF-S	<b>3 842 993 081 / L<sub>2</sub></b>	1	2-48
<b>B</b> Guide profile LF20S	<b>3 842 993 080 / L<sub>2</sub></b>	1	13-32
<b>C</b> Guide rod LF20	<b>3 842 993 969 / L<sub>2</sub></b>	2	13-32
<b>D</b> Profile 45x270 M12	<b>3 842 992 928 / L<sub>1</sub></b>	1	2-45
<b>E</b> Cover cap 45x45	<b>3 842 548 753</b>	4	2-40
<b>F</b> Guide bearing LF20	<b>3 842 535 663</b>	4	13-33
<b>H</b> Drive head LF20S	<b>3 842 526 414</b>	1	13-35
<b>I</b> Return head LF20S	<b>3 842 526 415</b>	1	13-35
<b>J</b> Toothed belt LF20	<b>3 842 994 662 / L<sub>3</sub><sup>1)</sup></b>	1	13-36
<b>K</b> Belt connector LF20	<b>3 842 535 680</b>	2	13-36
<b>L</b> Cylinder bolt DIN 7984 – M8x45	n <sup>2)</sup>		
<b>M</b> T-nut M8, 10 mm slot	<b>3 842 530 287</b>	n <sup>2)</sup>	3-4
<b>N</b> Sliding block	<b>3 842 146 877</b>	n <sup>2)</sup>	13-32

<sup>1)</sup>  $L_3 = 2 \times L_2 - L_1 + 780$

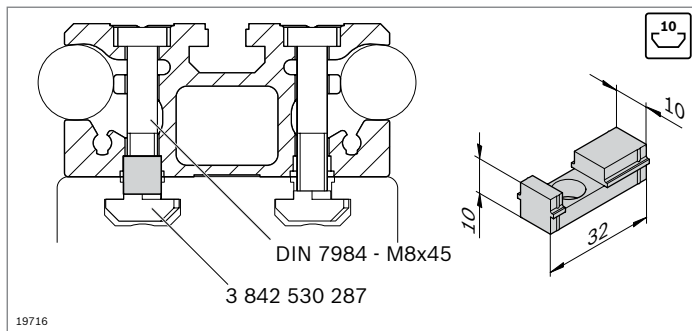
<sup>2)</sup> For identification see page 13-32



- ▶ Guide profile LF20S to hold guide rods
- ▶ Installation on MGE strut profiles with 10 mm slot or directly on a flat surface

Guide profile		L <sub>2</sub> (mm)	No.
LF20S	1 pcs	150 ... 5600	<b>3 842 993 080 / L<sub>2</sub></b>
	5 pcs	5600	<b>3 842 526 878</b>

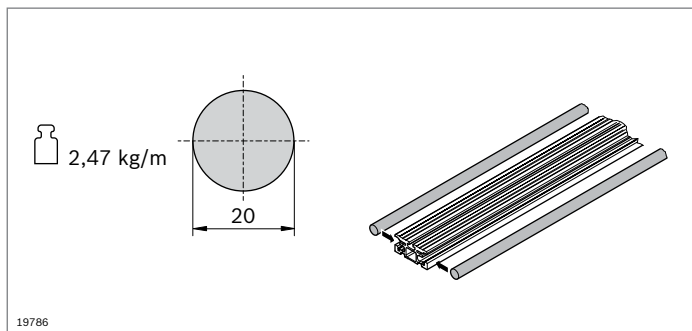
Accessories: Cylinder screw DIN 7984 – M8x45  
T-nut M8, 10 mm slot (p. 3-4)  
Sliding block



- ▶ Sliding block as a centering aid for mounting the guide profile in a 10 mm profile slot

Sliding block		No.
	50	<b>3 842 146 877</b>

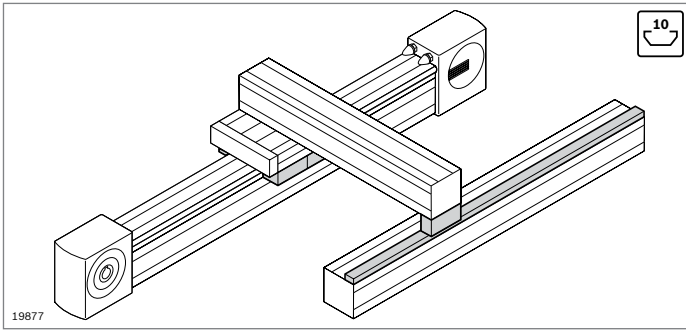
Material: PA; black



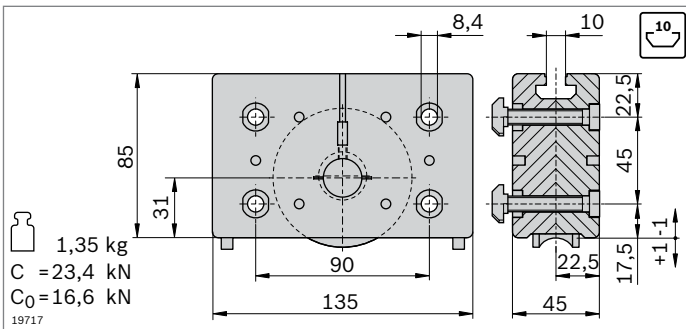
- ▶ The guide rod is pressed into the guide profile
- ▶ The guide rod guides the guide bearing

Guide rod	L <sub>2</sub> (mm)	No.
LF20	150 ... 2900	1 <b>3 842 993 969 / L<sub>2</sub></b>
	2900	20 <b>3 842 539 416</b>

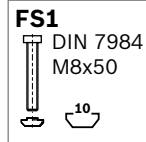
Material: Solid shaft VA, induction hardened, polished  
Condition on delivery: ungreased; greasing according to assembly instructions **3 842 527 226**



- ▶ Guide bearing for trolley construction
- ▶ Supporting bearing for brackets for bearing off-center forces
- ▶ Guide rail to support supporting bearings (p. 13-34)

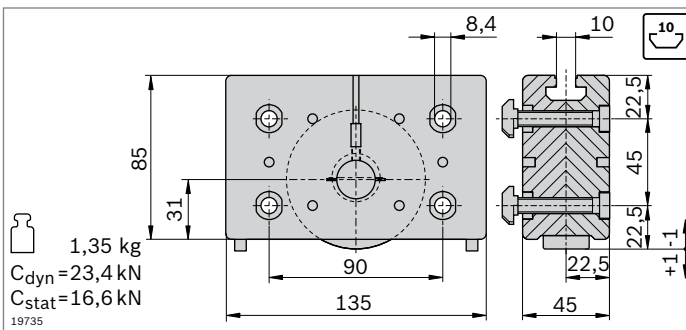


1,35 kg  
C = 23,4 kN  
C<sub>0</sub> = 16,6 kN  
19717

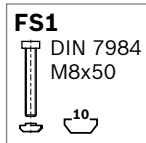


- ▶ Guide bearing for trolley construction
- ▶ Guiding via guide rod
- ▶ Rollers with ball bearings, permanently lubricated
- ▶ Lubricating felts with guide rod lubrication reservoir
- ▶ Play-free roller adjustment via eccentric bolts
- ▶ Replacement of the lubricating felts possible from rear in installed state

Guide bearing	No.	FS
LF20	2 3 842 535 663	4xFS1
Material:	Housing: Die-cast aluminum Roller: steel, hardened, polished	
Scope of delivery:	incl. fastening material (FS)	
Condition on delivery:	lubricating felts ungreased; greasing according to assembly instructions <b>3 842 527 226</b>	

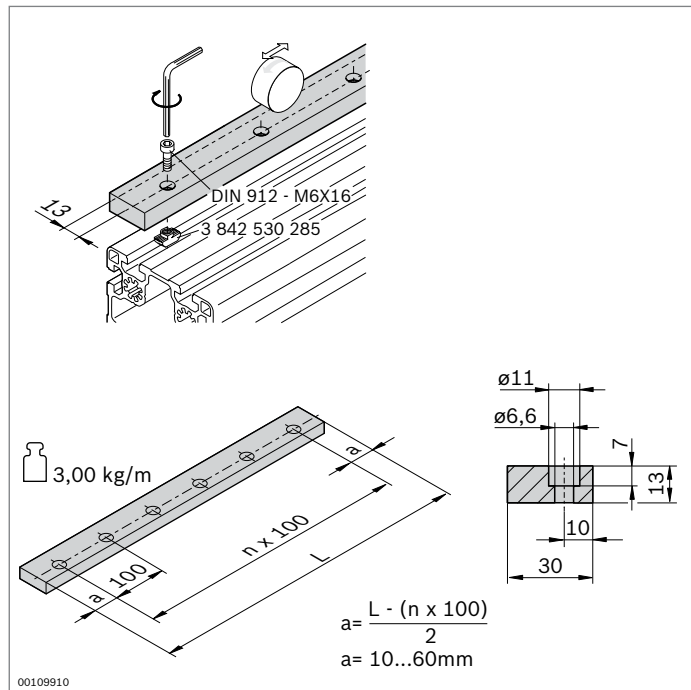


1,35 kg  
C<sub>dyn</sub> = 23,4 kN  
C<sub>stat</sub> = 16,6 kN  
19735



- ▶ Supporting bearing for brackets for bearing off-center forces
- ▶ For support on the guide rail
- ▶ Rollers with ball bearings, permanently lubricated
- ▶ Lubricating felts with guide rod lubrication reservoir
- ▶ Play-free roller adjustment via eccentric bolts
- ▶ Replacement of the lubricating felts possible from rear in installed state

Supporting bearing	No.	FS
LF20	2 3 842 535 665	4xFS1
Material:	Housing: Die-cast aluminum Roller: steel, hardened, polished	
Scope of delivery:	incl. fastening material (FS)	
Condition on delivery:	lubricating felts ungreased; greasing according to assembly instructions <b>3 842 527 226</b>	



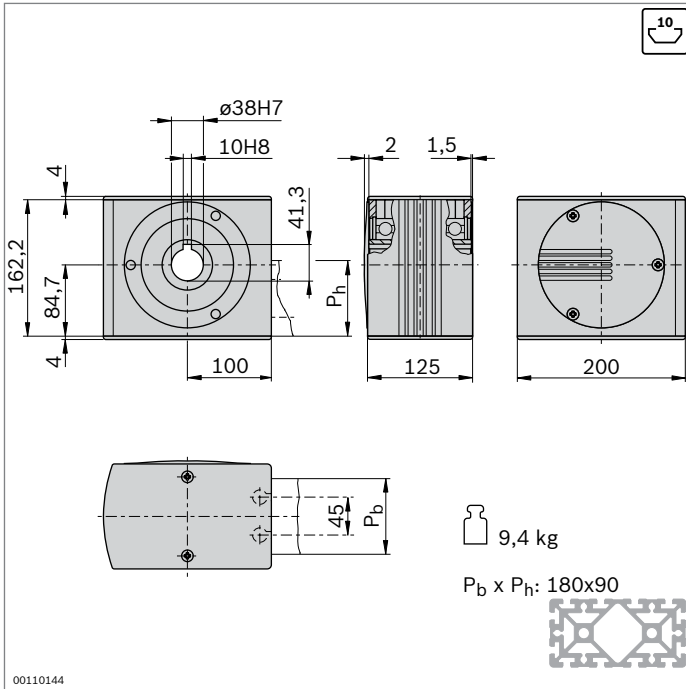
► Guide rail to hold supporting bearings

Guide rail	L (mm)	No.
<b>LF20</b>	120 ... 2000	<b>3 842 994 702 / L</b>

Material: steel, hardened, polished

Condition on delivery: ungreased; greasing according to assembly instructions **3 842 527 226**

Accessories: cylinder bolt DIN 912 – M6x16  
T-nut M6, 10 mm slot (**3 842 530 285**)

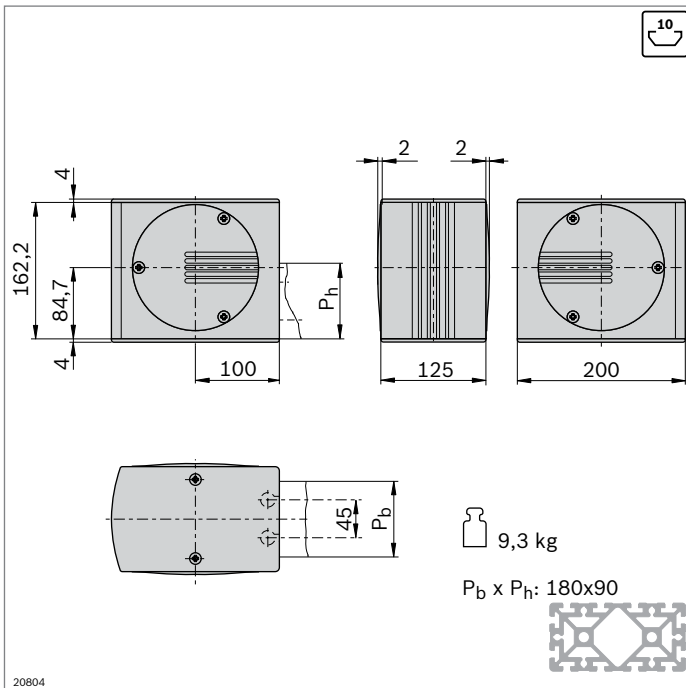
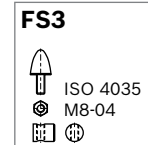
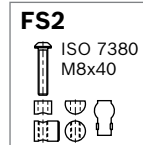


- ▶ Drive head for transferring drive torque to a toothed belt
- ▶ For direct mounting of a motor or (in conjunction with a center shaft) for mounting a hollow shaft gear or a coupling (p. 13-46)
- ▶ Mounted directly on profile by using longitudinal end connector (connector included in scope of delivery)
- ▶ Profile finishing: LF-S blind hole drilling for longitudinal end connector

Drive head	No.	FS
<b>LF20S</b>	<b>3 842 526 414</b>	4xFS2, 2xFS3

Material: Drive head: aluminum, anodized  
Hollow shaft: steel; galvanized

Scope of delivery: incl. fastening material (FS), cover caps

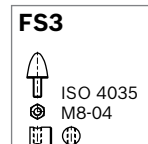
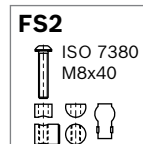


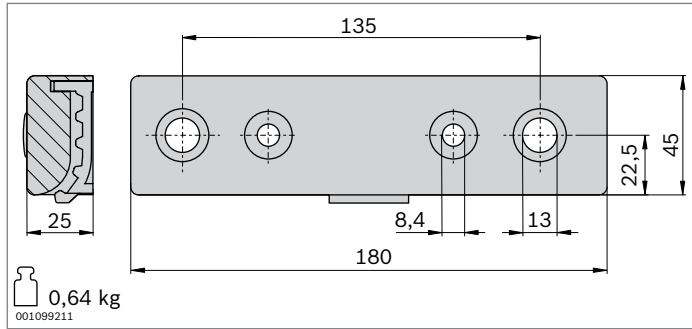
- ▶ Return head for tensioning the toothed belt and changing its direction
- ▶ Mounted directly on profile by using longitudinal end connector (connector included in scope of delivery)
- ▶ Profile finishing: LF-S blind hole drilling for longitudinal end connector

Return head	No.	FS
<b>LF20S</b>	<b>3 842 526 415</b>	4xFS2, 2xFS3

Material: Return head: aluminum, anodized  
Hollow shaft: steel; galvanized  
Caps: PA; black

Scope of delivery: incl. fastening material (FS), cover caps





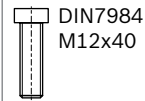
- ▶ Belt connector for fixing the toothed belt on the front of the trolley
- ▶ Profile finishing for strut profile 45x270 for trolley  
LF20S: M12
- ▶ All connecting parts included for mounting at the profile end (LF20S) or the slot (LF20C)

Belt connector	No.	FS
<b>LF20</b>	2 <b>3 842 535 680</b>	2xFS4, 2xFS5, 2xFS6, 2xFS7, 4xFS8

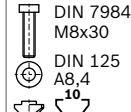
Material: aluminum, painted black

Scope of delivery: incl. fastening material (FS)

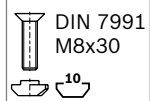
**FS4**



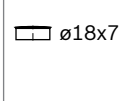
**FS5**



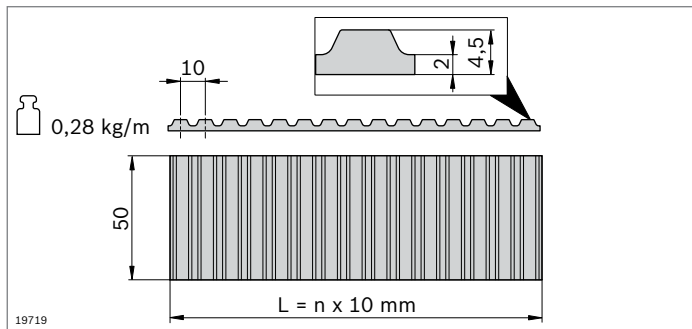
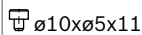
**FS6**



**FS7**



**FS8**



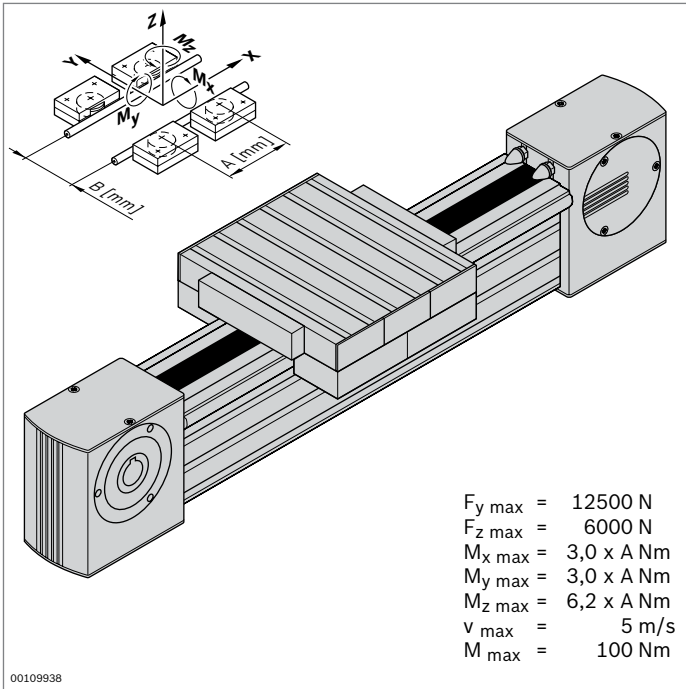
- ▶ Toothed belt as a trolley drive
- ▶ Pitch: AT10

Toothed belt	L <sub>3</sub> (mm)	No.
<b>LF20</b>	300 ... 50000	<b>3 842 994 662 / L<sub>3</sub><sup>1)</sup></b>
	50000	<b>3 842 513 648</b>

<sup>1)</sup> L<sub>3</sub> = 2xL<sub>2</sub> - L<sub>1</sub> + 780

Material: PU with embedded steel wires

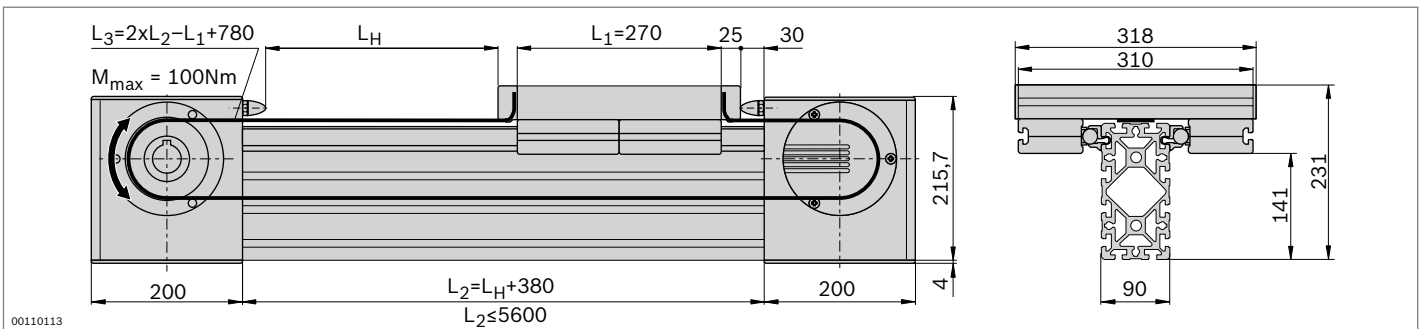




### Cam roller guide LF20C – complete axis



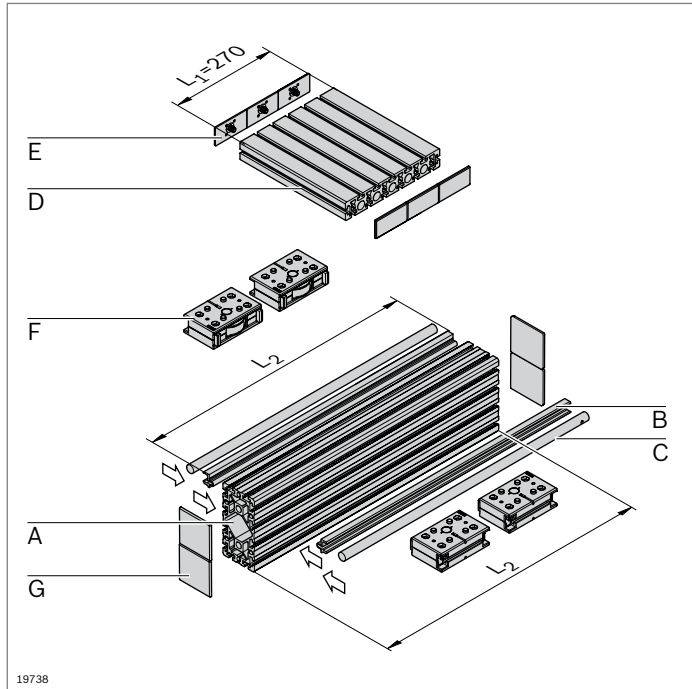
- ▶ Fully assembled cam roller guide
- ▶ Stroke can be individually selected
- ▶ Clamping profile clipped into strut profile 90x180
- ▶ Incl. toothed belt drive; additional notes on the drive concept (p. 13-44)



#### Technical data

For notes on layout and drive, see page 13-50

Complete axis	$L_H$ (mm)	No.
LF20C	50 ... 5220	3 842 998 500 / $L_H$

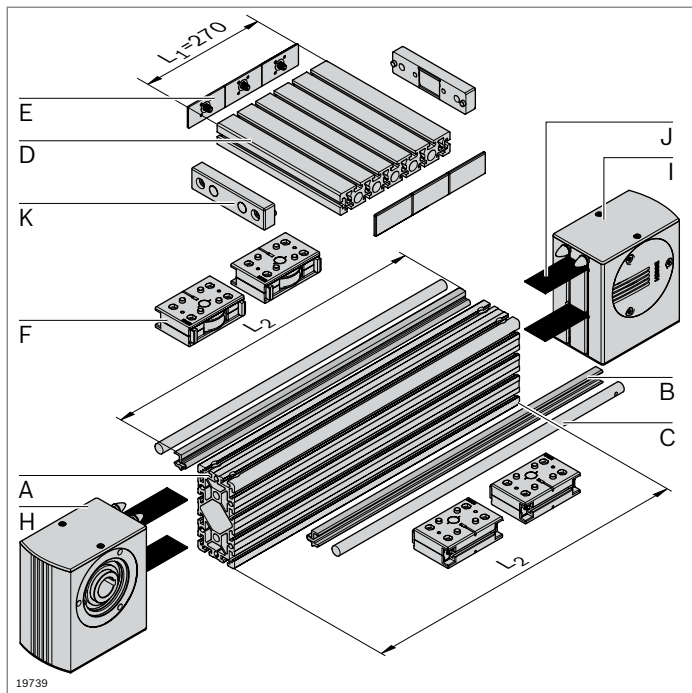


### Cam roller guide LF20C – components

- Components for the individual assembly of cam roller guides, with or without drive

#### Parts list for cam roller guide LF20C without drive

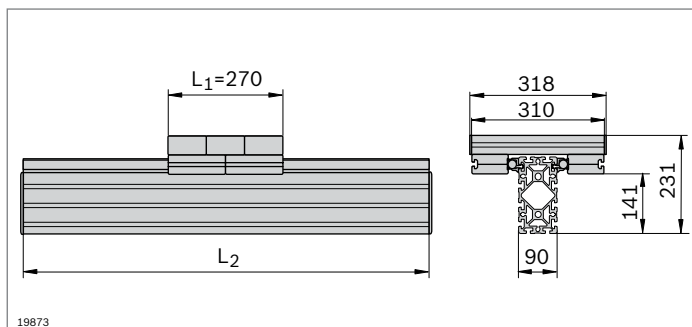
Component	No.	Qty.	Page
<b>A</b> Profile 90x180	<b>3 842 990 416 / L<sub>2</sub></b>	1	2-48
<b>B</b> Clamping profile LF20C	<b>3 842 992 441 / L<sub>2</sub></b>	2	13-39
<b>C</b> Guide rod LF20	<b>3 842 993 969 / L<sub>2</sub></b>	2	13-39
<b>D</b> Profile 45x270	<b>3 842 992 927 / 310 mm</b>	1	2-45
<b>E</b> Cover cap 45x90	<b>3 842 548 757</b>	6	2-45
<b>F</b> Guide bearing LF20	<b>3 842 535 663</b>	4	13-40
<b>G</b> Cover cap 90x90	<b>3 842 548 761</b>	4	2-48

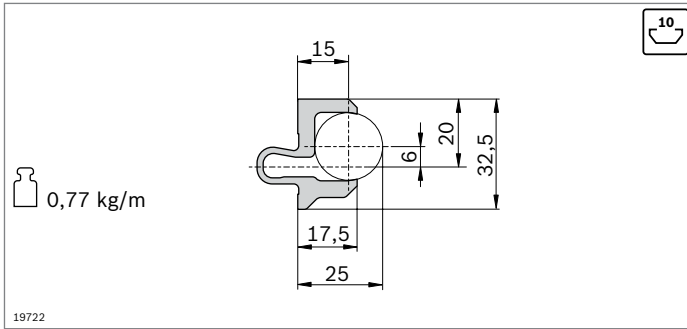


#### Parts list for cam roller guide LF20C with drive

Component	No.	Qty.	Page
<b>A</b> Profile 90x180 LF20C/LF	<b>3 842 992 898 / L<sub>2</sub></b>	1	2-48
<b>B</b> Clamping profile LF20C	<b>3 842 992 441 / L<sub>2</sub></b>	2	13-39
<b>C</b> Guide rod LF20	<b>3 842 993 969 / L<sub>2</sub></b>	2	13-39
<b>D</b> Profile 45x270	<b>3 842 992 927 / 310 mm</b>	1	2-45
<b>E</b> Cover cap 45x90	<b>3 842 548 757</b>	6	2-45
<b>F</b> Guide bearing LF20	<b>3 842 535 663</b>	4	13-40
<b>H</b> Drive head	<b>3 842 526 867</b>	1	13-42
<b>I</b> Return head	<b>3 842 526 869</b>	1	13-42
<b>J</b> Toothed belt	<b>3 842 994 662 / L<sub>3</sub><sup>1)</sup></b>	1	13-43
<b>K</b> Belt connector	<b>3 842 535 680</b>	2	13-43

<sup>1)</sup> L<sub>3</sub> = 2xL<sub>2</sub> - L<sub>1</sub> + 780

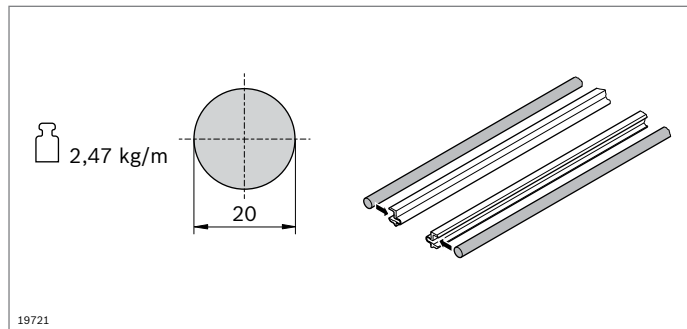




- ▶ The clamping profile is clipped into any chosen 10 mm strut profile slot and holds the guide rods

Clamping profile	L (mm)	No.
LF20C	1 pcs 150 ... 3000	<b>3 842 992 441 / L</b>
	20 pcs 3000	<b>3 842 518 898</b>

Material: aluminum, anodized

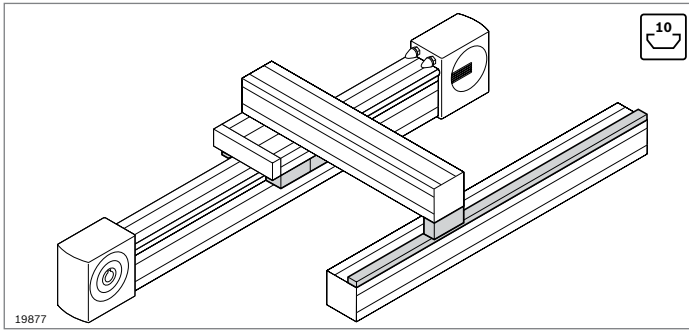


- ▶ The guide rod is pressed into the clamping profile
- ▶ The guide rod guides the guide bearing

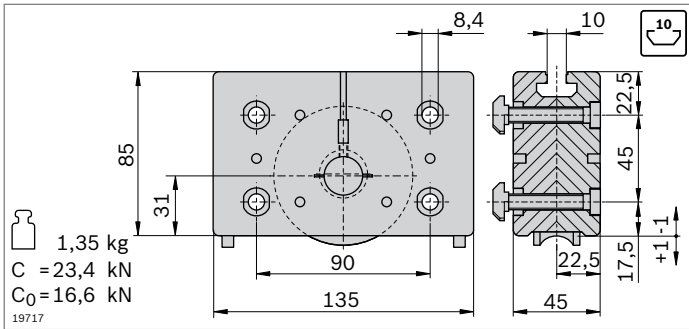
Guide rod	L (mm)		No.
LF20	150 ... 2900	1	<b>3 842 993 969 / L</b>
	2900	20	<b>3 842 539 416</b>

Material: Solid shaft VA, induction hardened, polished

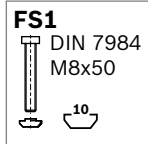
Condition on delivery: ungreased; greasing according to assembly instructions **3 842 527 226**



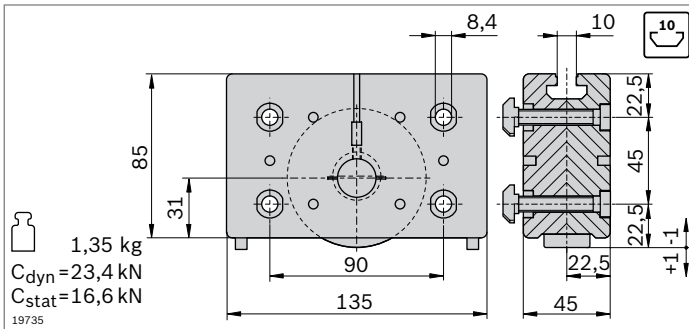
- ▶ Guide bearing for trolley construction
- ▶ Supporting bearing for brackets for bearing off-center forces
- ▶ Guide rail to support supporting bearings (p. 13-41)



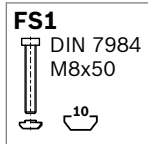
- ▶ Guide bearing for trolley construction
- ▶ Guiding via guide rod
- ▶ Rollers with ball bearings, permanently lubricated
- ▶ Lubricating felts with guide rod lubrication reservoir
- ▶ Play-free roller adjustment via eccentric bolts
- ▶ Replacement of the lubricating felts possible from rear in installed state



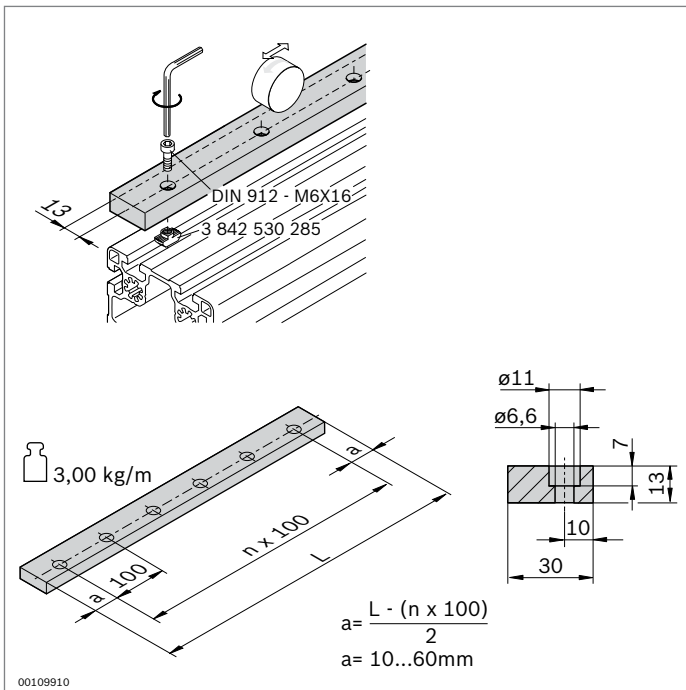
Guide bearing	No.	FS
<b>LF20</b>	2	<b>3 842 535 663</b> 4xFS1
Material:	Housing: Die-cast aluminum Roller: steel, hardened, polished	
Scope of delivery:	incl. fastening material (FS)	
Condition on delivery:	lubricating felts ungreased; greasing according to assembly instructions <b>3 842 527 226</b>	



- ▶ Supporting bearing for brackets for bearing off-center forces
- ▶ For support on the guide rail
- ▶ Rollers with ball bearings, permanently lubricated
- ▶ Lubricating felts with guide rod lubrication reservoir
- ▶ Play-free roller adjustment via eccentric bolts
- ▶ Replacement of the lubricating felts possible from rear in installed state



Supporting bearing	No.	FS
<b>LF20</b>	2	<b>3 842 535 665</b> 4xFS1
Material:	Housing: Die-cast aluminum Roller: steel, hardened, polished	
Scope of delivery:	incl. fastening material (FS)	
Condition on delivery:	lubricating felts ungreased; greasing according to assembly instructions <b>3 842 527 226</b>	



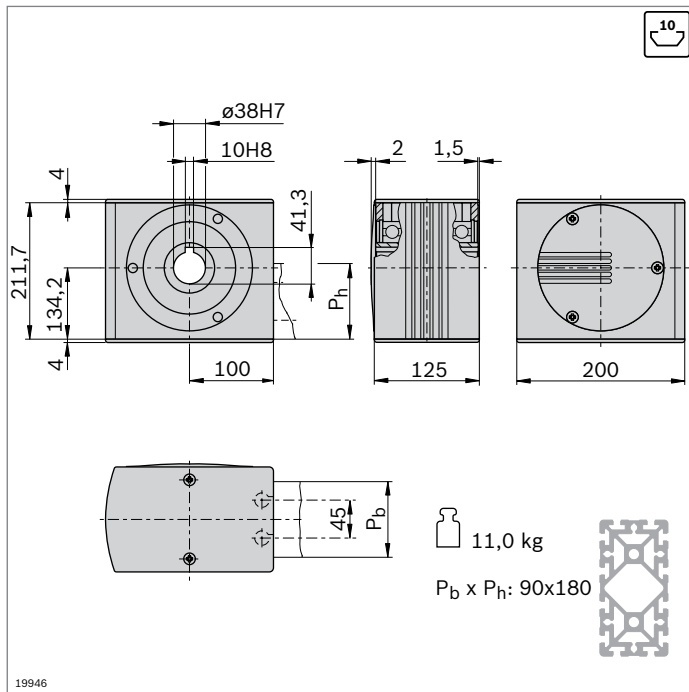
► Guide rail to hold supporting bearings

Guide rail	L (mm)	No.
<b>LF20</b>	120 ... 2000	<b>3 842 994 702 / L</b>

Material: steel, hardened, polished

Accessories: cylinder bolt DIN 912 – M6x16  
T-nut M6, 10 mm slot (**3 842 530 285**)

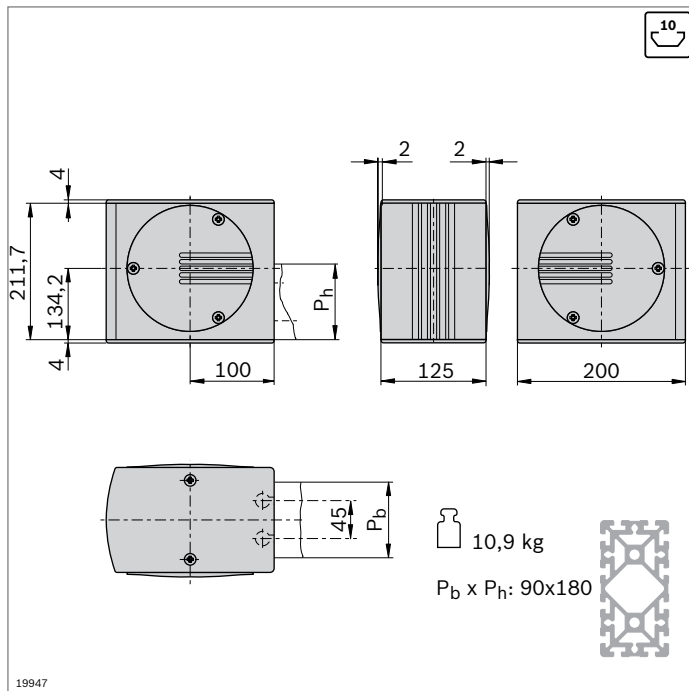
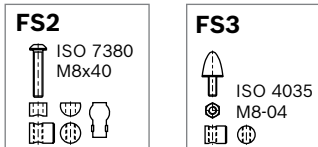
Condition on delivery: ungreased; greasing according to assembly instructions **3 842 527 226**



- ▶ Drive head for transferring drive torque to a toothed belt
- ▶ For direct mounting of a motor or (in conjunction with a center shaft) for mounting a hollow shaft gear or a coupling (p. 13-46)
- ▶ Mounted directly on profile by using longitudinal end connector (connector included in scope of delivery)
- ▶ Profile finishing: LF blind hole drilling for longitudinal end connector

Drive head	No.	FS
<b>LF20C</b>	<b>3 842 526 867</b>	4xFS2, 2xFS3

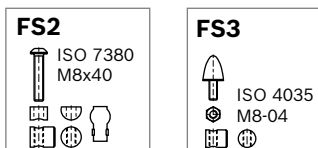
Material: Drive head: aluminum, anodized  
Hollow shaft: steel; galvanized  
Scope of delivery: incl. fastening material (FS), cover caps

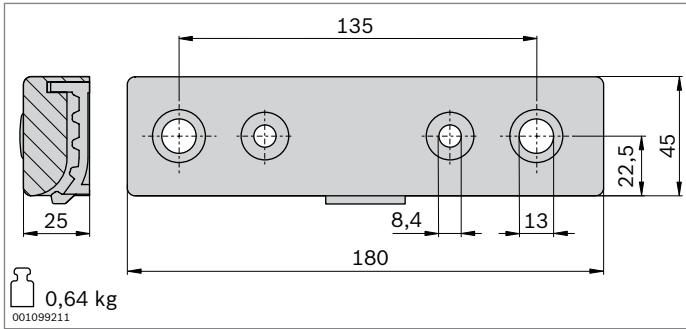


- ▶ Return head for tensioning the toothed belt and changing its direction
- ▶ Mounted directly on profile by using longitudinal end connector (connector included in scope of delivery)
- ▶ Profile finishing: LF blind hole drilling for longitudinal end connector

Return head	No.	FS
<b>LF20C</b>	<b>3 842 526 869</b>	4xFS2, 2xFS3

Material: Return head: aluminum, anodized  
Hollow shaft: steel; galvanized  
Caps: PA; black  
Scope of delivery: incl. fastening material (FS), cover caps






- ▶ Belt connector for fastening the toothed belt to the trolley slot
- ▶ Profile finishing for strut profile 45x270 for trolley LF20S: M12
- ▶ All connecting parts included for mounting at the profile end (LF20S) or the slot (LF20C)

Belt connector	No.	FS
LF20	2	3 842 535 680 2xFS4, 2xFS5, 2xFS6, 2xFS7, 4xFS8

Material: aluminum, painted black


Scope of delivery: incl. fastening material (FS)

**FS4**




DIN7984  
M12x40

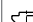
**FS5**




DIN 7984  
M8x30



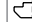
DIN 125  
A8,4




**FS6**



DIN 7991  
M8x30




**FS7**

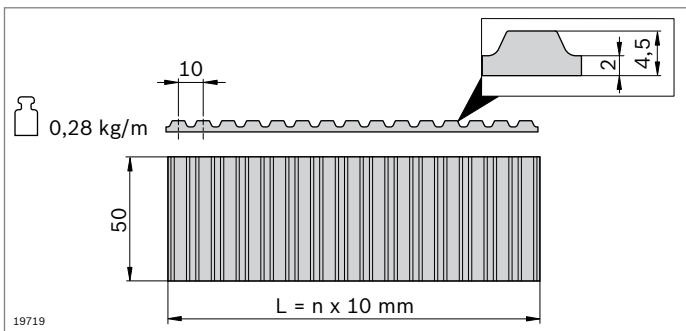


ø18x7

**FS8**



ø10xø5x11

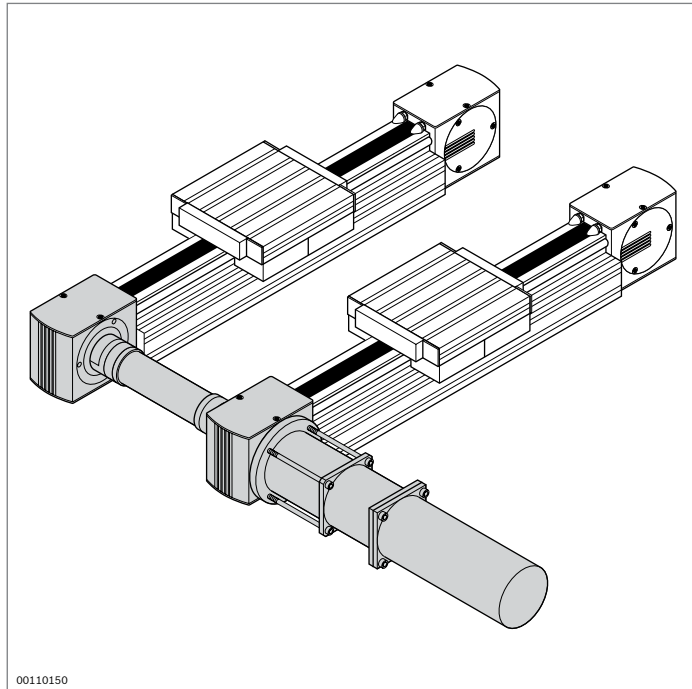


- ▶ Toothed belt as a trolley drive
- ▶ Pitch: AT10

Toothed belt	L (mm)	No.
LF20	300 ... 50000	3 842 994 662 / L <sub>3</sub> <sup>1)</sup>
	50000	3 842 513 648

<sup>1)</sup> L<sub>3</sub> = 2xL<sub>2</sub> - L<sub>1</sub> + 780

Material: PU with embedded steel wires



## Linear guide drives

### Drive concept

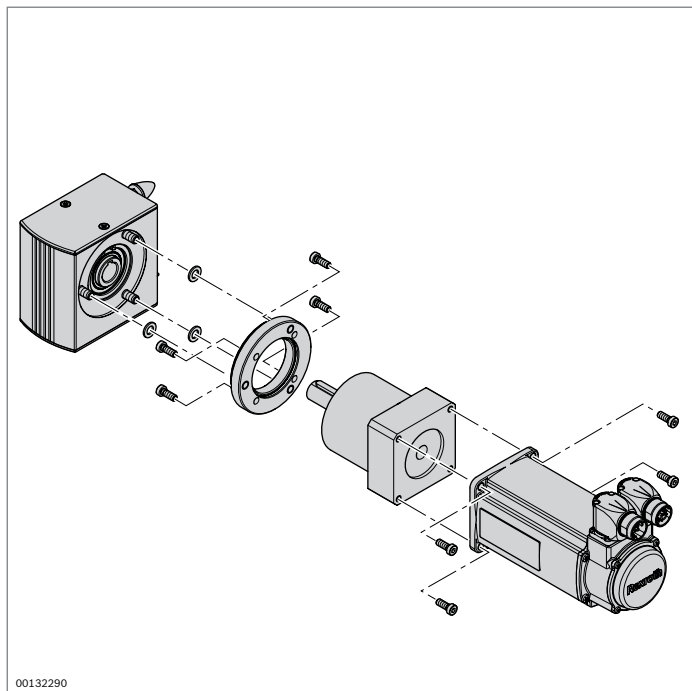
The linear guides are driven via the hollow shaft in the drive head. The drive head is used to directly install a motor or alternatively (in connection with a center shaft) a hollow shaft gear or a coupling. Depending on the desired speeds of movement for the application, it is necessary to use various motor types in conjunction with intermediate gears. Due to the multitude of drive components available in the market, there are a large number of possible combinations.

The MGE modular profile system makes it easy to assemble Bosch Rexroth linear guides through the use of a standard shaft and simple connection dimensions.

### Fastening

The drive head is directly secured on the profile by means of longitudinal end connectors.

The motor, or the intermediate gear flange, can be screwed to the drive head as a complete unit from the left- or right-hand side.

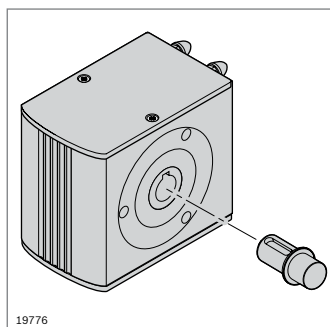


### Synchronous shafts

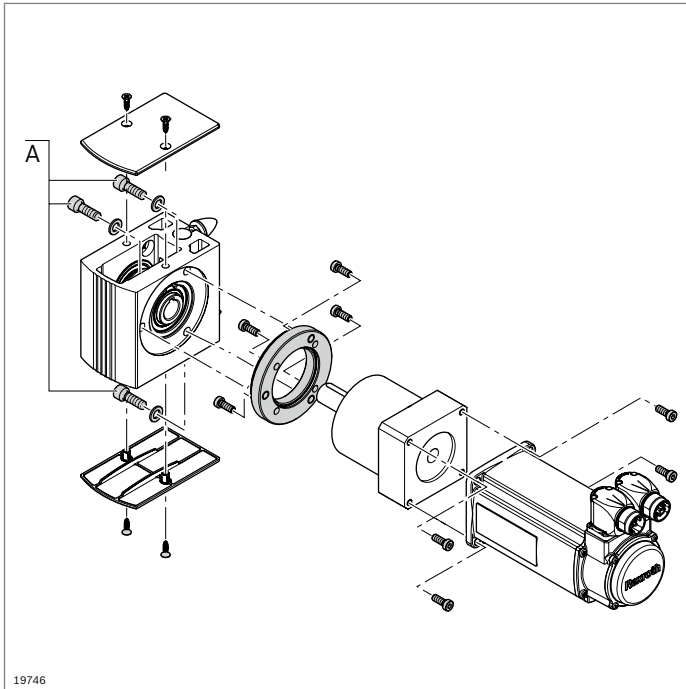
The use of synchronous shafts (p. 13-47) enables several linear axes to be operated with one drive.

### Connection dimensions (flange)

The connection dimensions for the size LF6, LF12 and LF20 linear guides are shown on pages 13-45.







## Flange

A flange is generally required for fixing the motor/gear unit in place. The connection dimensions for connection to the drive head are shown below. The connection to the motor/gear unit depends on the model chosen in each case.

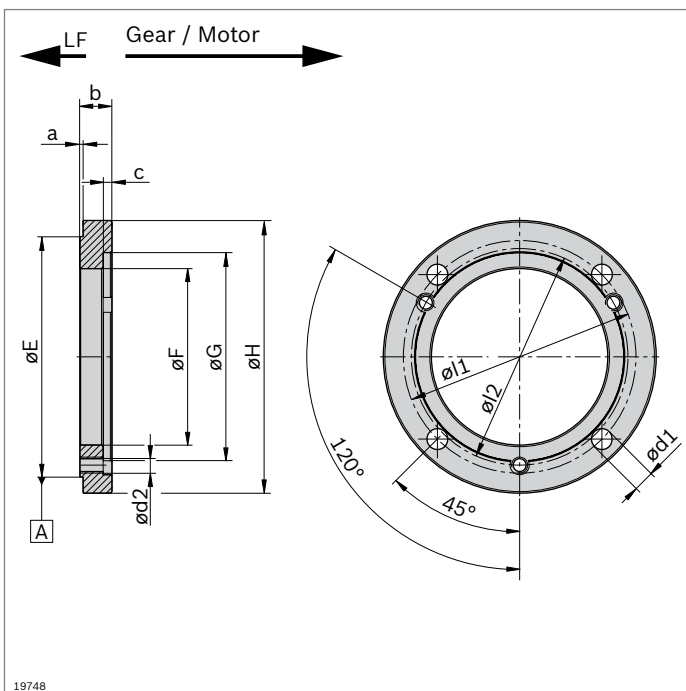
See also the connection dimensions for the drive heads LF6S (p. 13-9), LF6C (p. 13-14), LF12C (p. 13-28), LF12S (p. 13-21), LF20C (p. 13-42), LF20S (p. 13-35)

### Fastening material flange A

Note regarding flange in self-build version. Adapt fastening material to suit differing flange thicknesses.

	LF6 (b = 14.5 mm)	LF12 (b = 20 mm)	LF20 (b = 20 mm)
Drive head – flange	ISO 4762 – M8x22 (3x) ISO 7092 – 8 (3x)	ISO 4762 – M8x25 (3x) ISO 7092 – 8 (3x)	ISO 4762 – M10x30 (3x) ISO 7092 – 10 (3x)

13



Drawing and dimensions for flange in self-build version. Customer-specific adjustment is necessary, depending on the motor and gear unit. The fastening material must be self-sourced.

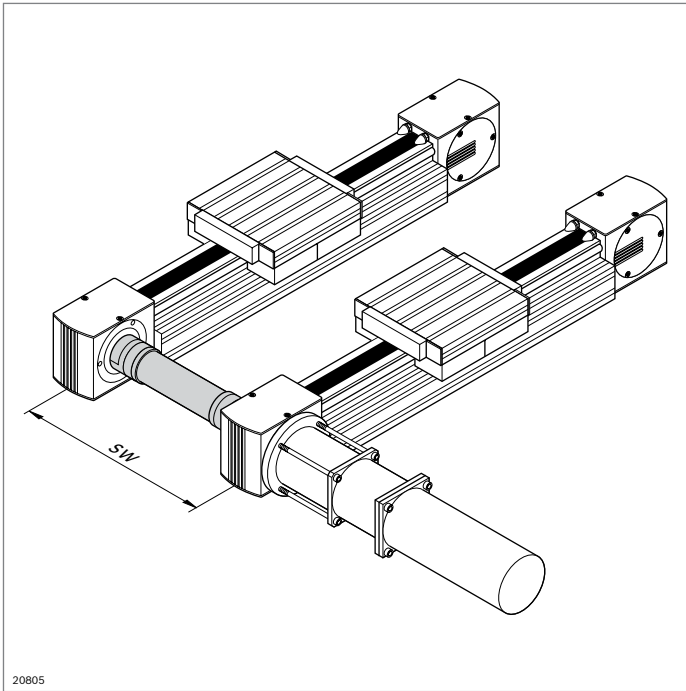
### Flange

Dimension parameter	LF6 (mm)	LF12 (mm)	LF20 (mm)
a	3.5 ± 0.15	3.5 ± 0.15	2 ± 0.15
b <sub>min</sub> <sup>*)</sup>	0.05	*)	*)
c <sup>*)</sup>	*)	*)	*)
E	Ø 88 -0.1/-0.3	Ø 111 -0.1/-0.3	Ø 150 -0.1/-0.3
F <sub>min</sub> <sup>*)</sup>	Ø *)	Ø *)	Ø *)
G <sup>*)</sup>	0.05 A	Ø *)	Ø *)
H <sup>*)</sup>	Ø *)	Ø *)	Ø *)
l1 <sup>*)</sup>	Ø *)	Ø *)	Ø *)
l2	Ø 78	Ø 100	Ø 135
d1 <sup>*)</sup>	Ø *)	Ø *)	Ø *)
d2	Ø 0.25 M8	M8	M10

<sup>\*)</sup> Dimension according to customer drive.

**Note:** The values must be checked by the user.





20805

## Center shafts, synchronous shafts

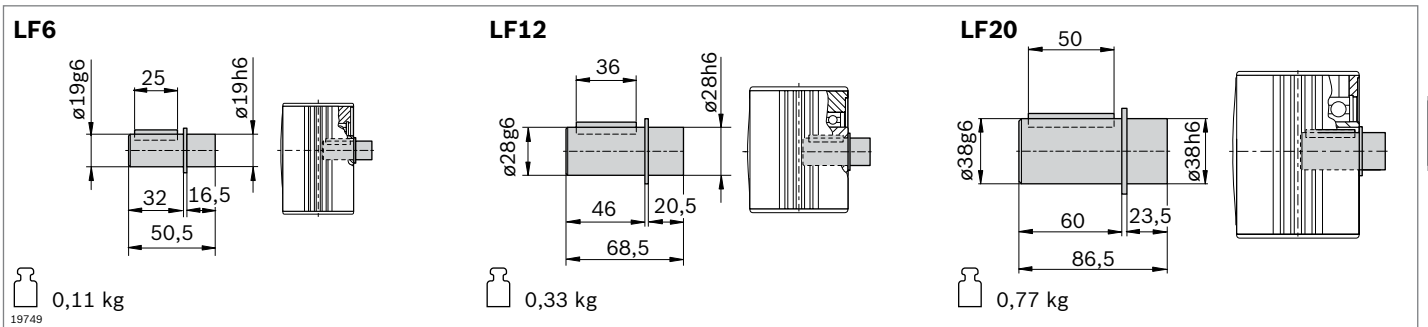
### Center shafts

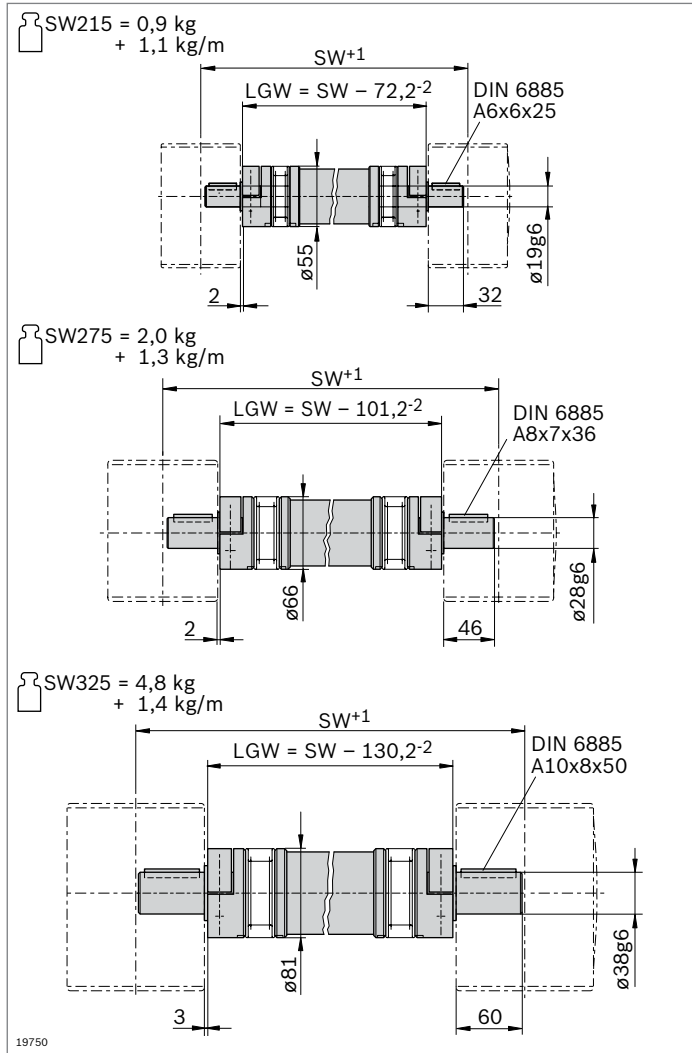
- ▶ Enable the installation of customized drive solutions

Center shaft	No.
LF6	3 842 526 893
LF12	3 842 526 894
LF20	3 842 526 895

Material: steel, nickel-plated

SW = support separation





### Synchronous shafts

- ▶ Allow several linear guides to be operated synchronously while being driven by a common motor
- ▶ The synchronous shaft can be replaced without the drive heads having to be disassembled

The selection diagrams on page 13-55, 13-56 specify maximum values without safety margins.

Synchronous shaft	SW (mm)	No.
LF6	215 ... 3000	3 842 994 811 / SW
LF12	275 ... 3500	3 842 994 812 / SW
LF20	325 ... 3500	3 842 994 813 / SW

Material: steel/aluminum

SW = support separation

LGW = length of synchronous shaft

## Technical data for roller, design, mounting

### General technical data and calculations

#### Speed

$$v_{\max} = 5 \text{ m/s}$$

#### Acceleration

$$a_{\max} = 15 \text{ m/s}^2$$

#### Temperature resistance

$$-10 \text{ °C} < \vartheta < 40 \text{ °C}$$

#### Lubrication

All cam roller guide bearings are delivered with built-in lubrication felts.

#### Condition on delivery

Ungreased (greasing with Klüber Isoflex Topas NCA 52; see assembly instructions **3 842 527 226**)

Lubricating felts with reservoir are not greased.

Guide rods are ungreased.

#### Definition of dynamic load rating C

The radial loading of constant magnitude and direction which a linear rolling bearing can theoretically withstand for a nominal service life of 100 km distance traveled (acc. to ISO 14728 Part 1).

#### Note regarding maximum load $F_{\max}$

The maximum loads apply to individual loads. Combining loads decreases the expected service life.

#### Definition and calculation of nominal service life

The calculated service life which an individual linear rolling bearing – or a group of apparently identical rolling element bearings operating under the same conditions – can attain with a 90% probability, based on the materials of normal manufacturing quality that are generally used today and under usual operating conditions (acc. to ISO 14728 Part 1) and optimal installation conditions.

#### Nominal service life at constant speed

$$L = \left( \frac{C}{F} \right)^3 \cdot 10^5$$

$$L_h = \left( \frac{L}{2 \cdot s \cdot n_s \cdot 60} \right)$$

L = nominal service life (m)

$L_h$  = nominal service life (h)

C = dynamic load capacity (N)

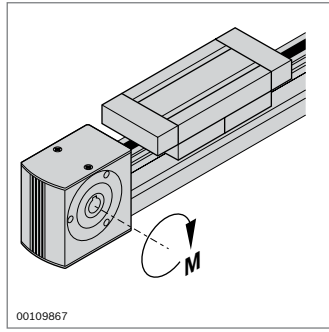
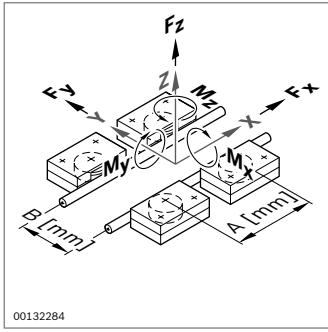
F = equivalent load (N)

s = length of stroke\* (m)

$n_s$  = stroke frequency (double stroke) ( $\text{min}^{-1}$ )

\*) For  $s < 2 \times L_1$  (trolley length) load capacities are reduced.

Please consult us.



### Load-dependent design

- The specified values are maximum single loads, which are reduced when loads are combined

**Note:** If cumulative forces and moments arise in your application, please use the Linear Motion Designer LF-MGE linear guide calculation program to recalculate your design (p. 13-57)

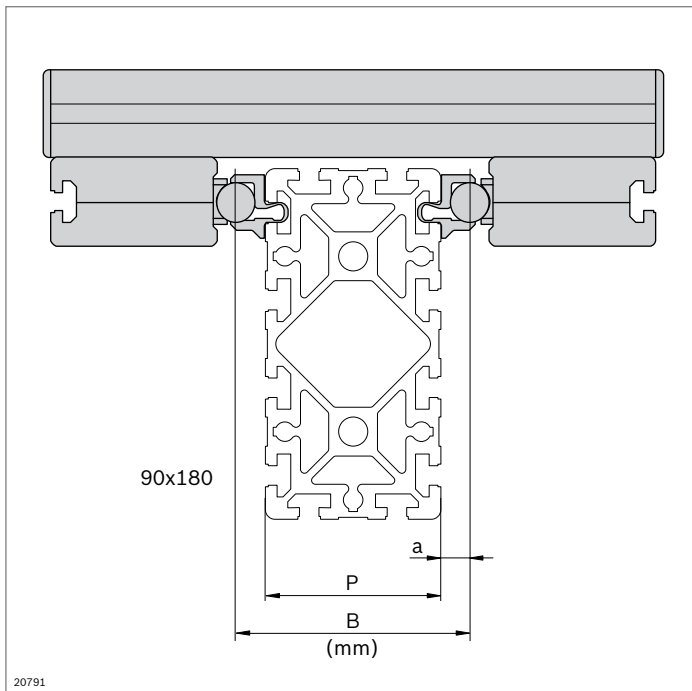
	$A_{min}^{1)}$ (mm)	$F_z$ (N)	$F_y$ (N)	$M_x$ (Nm)	$M_z$ (Nm)	$M_y$ (Nm)	$v_{max}$ (m/s)	$M_{max}$ (Nm)
<b>LF6S</b>	75	850	1400	13.6	$0.7 \times A^2$	$0.4 \times A^2$	5	9.5 / 7.6
<b>LF6C</b>	75	850	1400	$0.4 \times B^2$	$0.7 \times A^2$	$0.4 \times A^2$	5	15
<b>LF12S</b>	90	2000	3500	78.0	$1.7 \times A^2$	$1.0 \times A^2$	5	30
<b>LF12C</b>	90	2000	3500	$1.0 \times B^2$	$1.7 \times A^2$	$1.0 \times A^2$	5	30
<b>LF20S</b>	135	6000	12500	240.0	$6.2 \times A^2$	$3.0 \times A^2$	5	100
<b>LF20C</b>	135	6000	12500	$3.0 \times B^2$	$6.2 \times A^2$	$3.0 \times A^2$	5	100

<sup>1)</sup>  $A_{min}$  = Length guide bearing

<sup>2)</sup> Note: A (spacing of support wheels, see image above) in mm; see below for calculation of B (track width)

Do not exceed the maximum loading of the screwed connections for rails, carriages and fastenings.

Take account of the general service life of lubricants!



### Calculating the track width B

$$B = P + 2 \times a$$

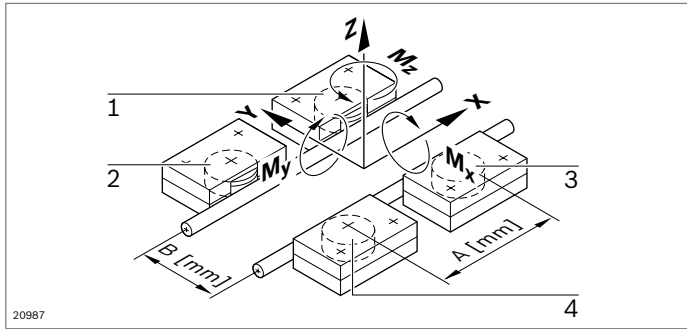
- B = track width (in mm)
- P = profile width (in mm)
- a = rod spacing (in mm)

#### LF ... C

- Values for a: for LF6C = 9.5 mm (p. 13-13)
- for LF12C = 9 mm (p. 13-25)
- for LF20C = 15 mm (p. 13-39)

#### LF ... S

- Values for a: for LF6S = 40 - 6 = 34 mm (p. 13-8)
- for LF12S = 90 - 12 = 78 mm (p. 13-18)
- for LF20S = 100 - 20 = 80 mm (p. 13-32)



Roller 1:

$$F_r = -\left(\frac{F_y}{2}\right) - \left(\frac{M_z}{A}\right)$$

$$F_a = \left(\frac{F_z}{4}\right) + \left(\frac{M_x}{2 \cdot B}\right) - \left(\frac{M_y}{2 \cdot A}\right)$$

Roller 3:

$$F_r = +\left(\frac{F_y}{2}\right) + \left(\frac{M_z}{A}\right)$$

$$F_a = \left(\frac{F_z}{4}\right) - \left(\frac{M_x}{2 \cdot B}\right) - \left(\frac{M_y}{2 \cdot A}\right)$$

Roller 2:

$$F_r = -\left(\frac{F_y}{2}\right) + \left(\frac{M_z}{A}\right)$$

$$F_a = \left(\frac{F_z}{4}\right) + \left(\frac{M_x}{2 \cdot B}\right) + \left(\frac{M_y}{2 \cdot A}\right)$$

Roller 4:

$$F_r = +\left(\frac{F_y}{2}\right) - \left(\frac{M_z}{A}\right)$$

$$F_a = \left(\frac{F_z}{4}\right) - \left(\frac{M_x}{2 \cdot B}\right) + \left(\frac{M_y}{2 \cdot A}\right)$$

Table 1: Load factors for rollers

	Load case: $F_r \geq  F_a $				Load case: $F_r <  F_a $			
	x	y	$x_0$	$y_0$	x	y	$x_0$	$y_0$
LF6	1	3.1	1.2	3.5	0.5	3.6	1	3.7
LF12	1	4.2	1.2	5.2	0.5	4.7	1	5.4
LF20	1	4	1.2	4.9	0.5	4.5	1.1	5

Table 2: Rollers - load capacities

	C for $10^5$ m (N)	$C_0$ (N)
LF6	3670	2280
LF12	8300	5000
LF20	23400	16600

## Calculation of load on bearing for a trolley

### Loading of the individual rollers

- ▶ A mm: spacing of the rollers' rotational axes
- ▶ B mm: center-to-center distance between the guide rods
- ▶ Only compressive forces can be transferred between rollers and guide rods in the radial direction. The following therefore applies in respect of radial forces:  
 $F_r \leq 0$ :  $F_r = 0$
- ▶ Rollers can be loaded equally in both directions.  
Therefore force  $F_a$  is sufficient for calculating P and  $P_0$

### Equivalent dynamic and static loads

To calculate the service life of a cam roller guide, the roller with the greatest load has to be considered.

The following must be determined:

$$P = \max(P_1, \dots, P_4)$$

$$P_0 = \max(P_{01}, \dots, P_{04})$$

Equivalent dynamic load P

$$P = x \cdot |F_r| + y \cdot |F_a|$$

Equivalent static load  $P_0$

$$P_0 = x_0 \cdot |F_r| + y_0 \cdot |F_a|$$

$F_r$  (N): radial load of the roller

The following applies:  $F_r \leq 0$ :  $F_r = 0$

$F_a$  (N): axial load of the roller

x,  $x_0$ : radial factor (Table 1)

y,  $y_0$ : axial factor (Table 1)

C: dynamic load capacity (Table 2)

$C_0$ : static load capacity (Table 2)

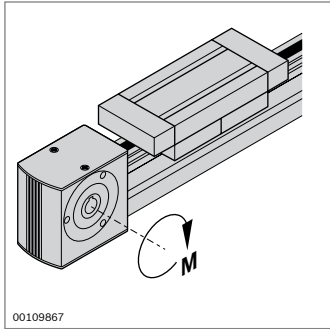
Static

safety values:

$S_0 \geq 4$  recommended!

$$S_0 = \left(\frac{C_0}{P_0}\right)$$

## Size selection



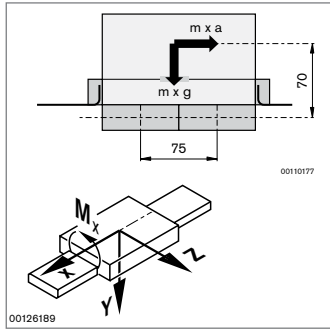
### Determining the forces and moments which arise

$$\begin{matrix} F_{x\text{dyn}}, F_{y\text{dyn}}, F_{z\text{dyn}} \\ M_{x\text{dyn}}, M_{y\text{dyn}}, M_{z\text{dyn}} \end{matrix} \quad ^1)$$

<sup>1)</sup>  $F_{z\text{dyn}}$  includes the weight of the trolley

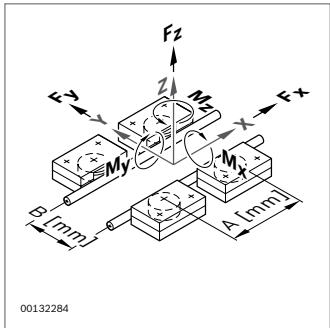
All the influences must be considered, e.g.:

- net mass and load
- acceleration forces and moments
- process forces and moments
- loads caused by dampers and/or stops



### Determining the permissible forces and moments

For values see p. 13-51



### Selection of the suitable size

$$\begin{matrix} F_{x, y, z \text{ dyn}} < F_{x, y, z \text{ dyn perm}} ! \\ M_{x, y, z \text{ dyn}} < M_{x, y, z \text{ dyn perm}} ! \end{matrix}$$

If F and M are cumulative:

recalculate using linear guide calculation program.

Note: When using the program, account must be taken of the directions of the respective forces and moments, i.e. the plus/minus sign, in order for the program to be able to calculate correctly.

You can order the CD directly from our media catalog, number 3 842 540 900.

[www.boschrexroth.com/mediadirectory](http://www.boschrexroth.com/mediadirectory)

### Example:

$$\begin{aligned} m &= 30 \text{ kg} & a &= 2.5 \text{ m/s}^2; \\ L_1 &= 150 \text{ mm} & L_2 &= 5000 \text{ mm} \\ g &= 9.81 \text{ m/s}^2 \end{aligned}$$

$$F_{z\text{dyn}} = m \cdot g = 294 \text{ N}$$

$$M_{y\text{dyn}} = m \cdot a \cdot 70 \text{ mm} = 5.25 \text{ Nm}$$

### Example of LF 6 S, LF 6 C

$$\begin{aligned} F_{z\text{dyn perm}} &= 850 \text{ N} > F_{z\text{dyn}} = 294 \text{ N} \\ M_{y\text{dyn perm}} &= 0.4 \cdot A = 0.4 \cdot 75 \text{ mm} \\ &= 30 \text{ Nm} > M_{y\text{dyn}} = 5.25 \text{ Nm} \end{aligned}$$

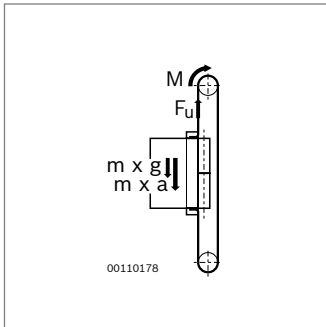
### Example:

$$F_{z\text{dyn}} = 294 \text{ N} < F_{z\text{dyn perm}} = 850 \text{ N} !$$

$$M_{y\text{dyn}} = 5.25 \text{ Nm} < M_{y\text{dyn perm}} = 30 \text{ Nm} !$$



## Calculating the drive

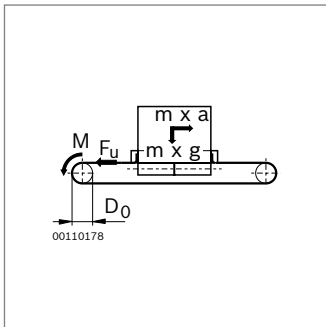


### Peripheral force $F_u$

$$F_u = m \cdot a + m \cdot g + F_0 + \mu \cdot m \cdot g$$

$$F_u \leq F_{u \text{ perm}} !$$

$F_0$ : frictional force on return units  
 $\mu$ : coefficient of friction of the guide  
 see table below.



### Alternative calculation formula

$$F_u = m \cdot a + F_0 + \mu \cdot m \cdot g \leq F_{u \text{ perm}} !$$

### Example of LF6C

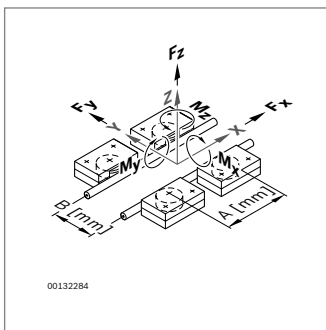
$$m = 30 \text{ kg}; \quad a = 2.5 \text{ m/s}^2$$

$$F_u = (30 \cdot 2.5) \text{ N} + 10 \text{ N}$$

$$+ (0.025 \cdot 30 \cdot 9.81) \text{ N}$$

$$F_u = 75 \text{ N} + 10 \text{ N} + 0.025 \cdot 294 \text{ N}$$

$$F_u = 92.35 \text{ N} < F_{u \text{ perm}} = 600 \text{ N} !$$



### Required drive torque $M$

$$M = \frac{1}{2} \cdot D_0 \cdot F_u \leq M_{\text{perm}} !$$

### Example:

$$M = \frac{1}{2} \cdot 50.94 \text{ mm} \cdot 92.35 \text{ N}$$

$$= 2.4 \text{ Nm}$$

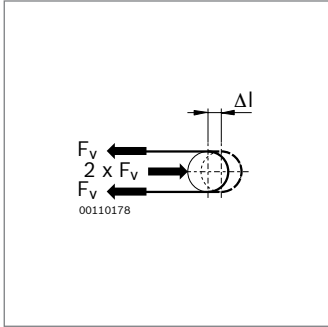
$$M = 2.35 \text{ Nm} \leq M_{\text{perm}}$$

$$= 15 \text{ Nm} !$$

	v (m/s)	$F_{u \text{ perm}}$ (N)	$M_{\text{perm}}$ (Nm)	$F_0$ (N)	$\mu$	$D_0$ (mm)	$D_0 \cdot \pi$ (mm)
<b>LF6S</b>	≤ 2.0	500	9.5	10	0.025	38.21	120
<b>LF6S</b>	2.01 ... 5.0	400	7.6	10	0.025	38.21	120
<b>LF6C</b>	≤ 5.0	600	15.0	10	0.025	50.94	160
<b>LF12S</b>	≤ 5.0	820	30.0	30	0.020	73.20	230
<b>LF12C</b>	≤ 5.0	820	30.0	30	0.020	73.20	230
<b>LF20S</b>	≤ 5.0	2000	100.0	35	0.015	101.86	320
<b>LF20C</b>	≤ 5.0	2000	100.0	35	0.015	101.86	320

$F_0$ : frictional force on return units;  $\mu$ : coefficient of friction

## Checking the selected size



### Preload force $F_v$ of toothed belt

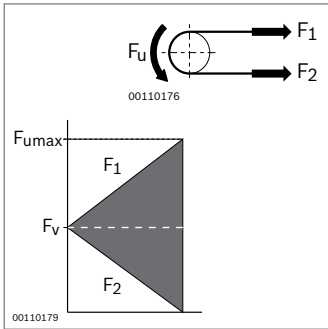
$$0.5 \cdot F_u \leq F_v \leq F_u$$

Recommendation:  $F_v = 0.5 \cdot F_u$

### Example:

$$F_u = 92.35 \text{ N}$$

$$F_v = 50 \text{ N}$$



### Maximum toothed belt force $F_{1 \text{ max}}$

$$F_{1 \text{ max}} = F_v + 0.5 \cdot F_u \leq F_{1 \text{ perm}} !$$

$$F_{2 \text{ min}} = F_v - 0.5 \cdot F_u > 0 !$$

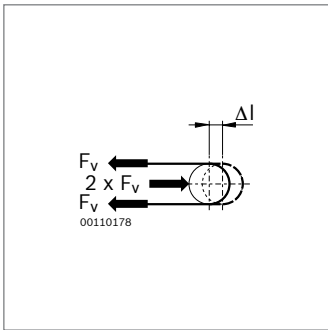
### Example of LF6C

$$F_{1 \text{ max}} = 50 \text{ N} + 0.5 \cdot 92.35 \text{ N}$$

$$F_{1 \text{ max}} = 96.18 \text{ N} < F_{1 \text{ perm}} = 900 \text{ N} !$$

$$F_{2 \text{ min}} = 50 \text{ N} - 0.5 \cdot 92.35 \text{ N}$$

$$F_{2 \text{ min}} = 3.825 \text{ N} > 0 !$$



### Required preload length $\Delta l$

$$\Delta l = 0.5 \cdot F_v \cdot L / C_{\text{spec}} \leq \Delta l_{\text{max}} !$$

### Example:

$$L = 2 \cdot L_2 - L_1 + 400 \text{ mm}$$

$$L = 10 \cdot 250 \text{ mm}$$

$$\Delta l = 0.5 \cdot 50 \text{ N} \cdot 10 \cdot 250 \text{ mm}$$

$$/ 420 \cdot 000 \text{ N}$$

$$\Delta l = 0.8 \text{ mm} < \Delta l_{\text{max}} = 13 \text{ mm} !$$

	$F_{1 \text{ perm}}$ (N)	$C_{\text{spec}}$ (N)	$\Delta l_{\text{max}}$ (mm)	L (mm)	Page
<b>LF6S</b>	750	315000	11	$2 \cdot L_2 - L_1 + 360$	13-6
<b>LF6C</b>	900	420000	13	$2 \cdot L_2 - L_1 + 400$	13-11
<b>LF12S</b>	1230	1250000	16	$2 \cdot L_2 - L_1 + 630$	13-16
<b>LF12C</b>	1230	1250000	16	$2 \cdot L_2 - L_1 + 630$	13-23
<b>LF20S</b>	3000	1870000	23	$2 \cdot L_2 - L_1 + 780$	13-30
<b>LF20C</b>	3000	1870000	23	$2 \cdot L_2 - L_1 + 780$	13-37

$C_{\text{spec}}$ : Belt stiffness;

L: Long toothed belts, see also LF6S (p. 13-6), LF6C (p. 13-11),

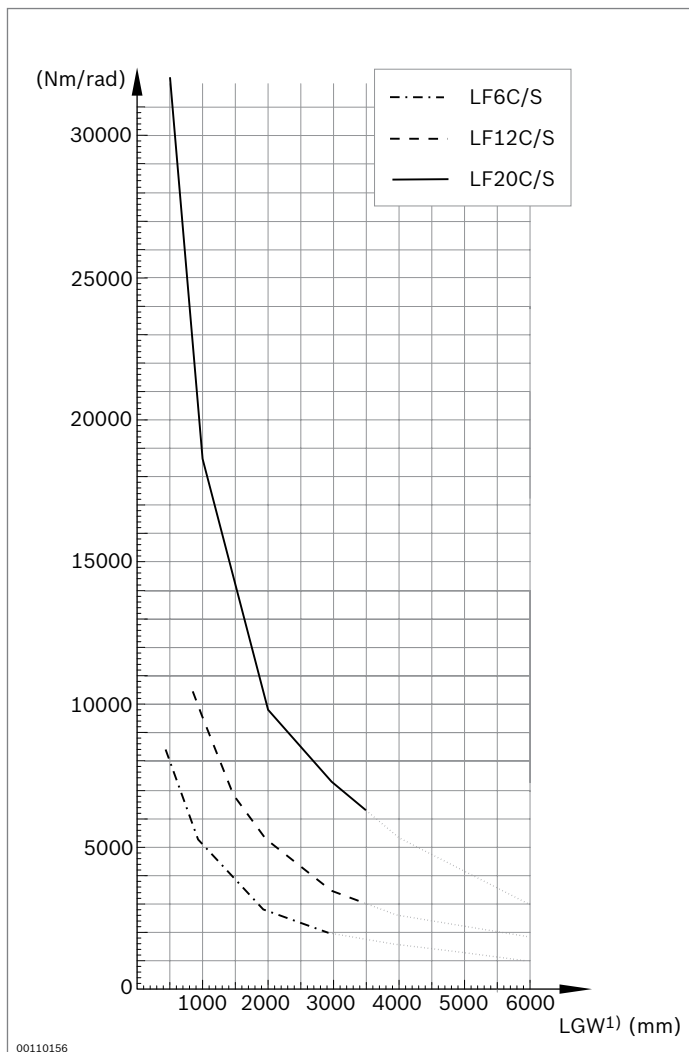
LF12S (p.13-16), LF12C (p. 13-23),

LF20S (p. 13-30), LF20C (p. 13-37)

### Dimensioning of synchronous shafts

			LF6	LF12	LF20
Support separation SW	horizontal		215 ... 3000 mm	275 ... 3500 mm	325 ... 3500 mm
	vertical		215 ... 2000 mm	275 ... 2000 mm	325 ... 1100 mm
Nominal torque			max. 30 Nm	max. 60 Nm	max. 150 Nm
Permitted rpm			Diagram 3 (p. 13-56) <b>max. 0.7 · nk</b>	Diagram 3 (p. 13-56) <b>max. 0.7 · nk</b>	Diagram 3 (p. 13-56) <b>max. 0.7 · nk</b>
Elasticity	axial		max. 2 mm	max. 3 mm	max. 4 mm
	lateral		Diagram 4 (p. 13-56)	Diagram 4 (p. 13-56)	Diagram 4 (p. 13-56)
	torsion angle		Diagram 5 (p. 13-56)	Diagram 5 (p. 13-56)	Diagram 5 (p. 13-56)

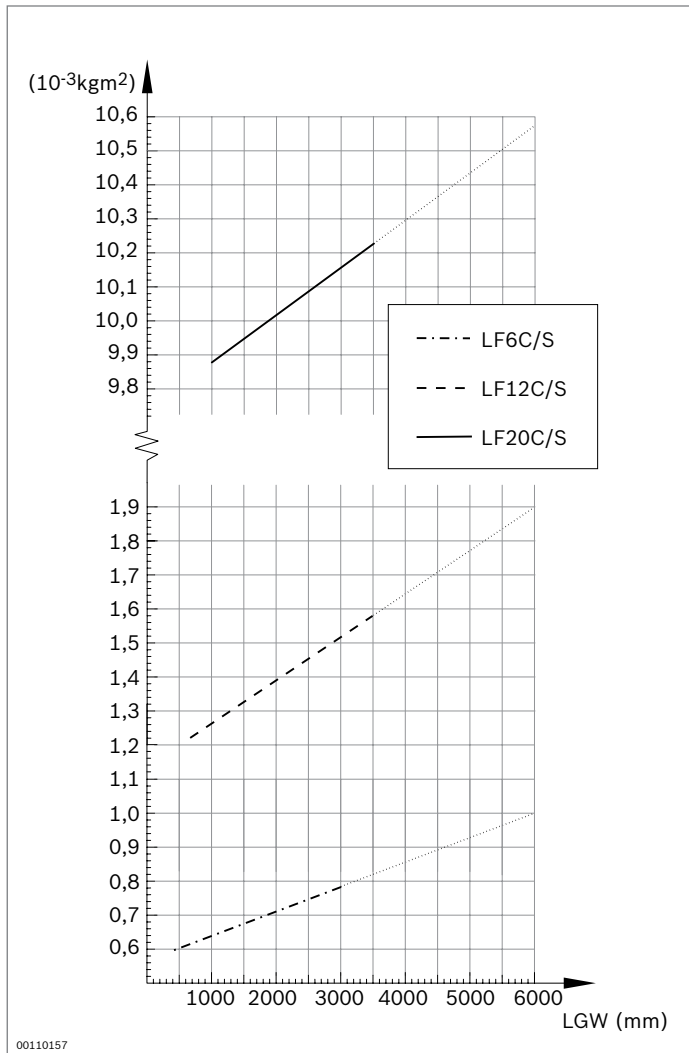
Diagram 1: Torsion stiffness



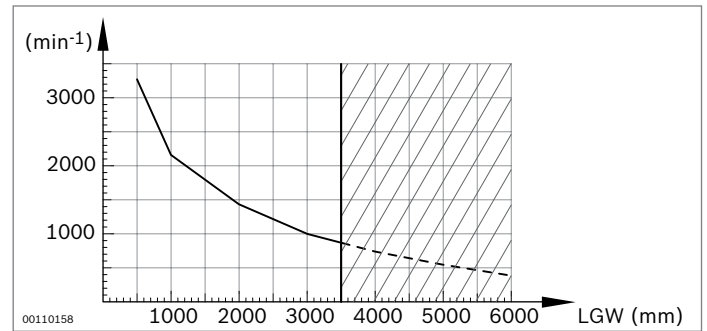
<sup>1)</sup> Length synchronous shaft LGW

- LF6     LGW = SW - 72
- LF12   LGW = SW - 101
- LF20   LGW = SW - 130

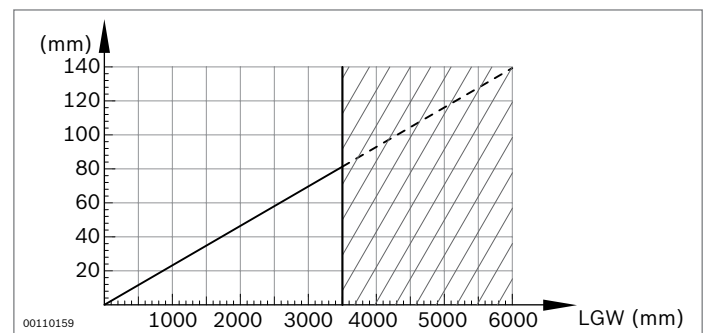
**Diagram 2: Mass inertia**



**Diagram 3: Critical rpm nk due to bending**

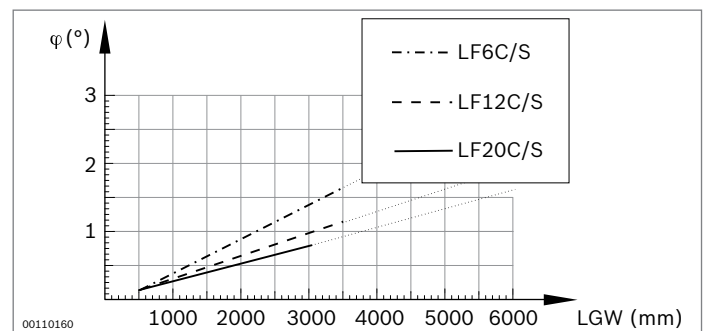


**Diagram 4: Lateral offset**



Aligned shafts are recommended.

**Diagram 5: torsion angle**



## Planning tool LF-MGE

### Automation from a single source

Planning, implementation, commissioning and training – Rexroth offers you support in every project phase.

Besides the catalogs and brochures, we provide you with powerful planning tools.

On our website you can find information on new products as well as continually updated information on our existing products.

In addition, our sales and service teams are on hand to answer specific questions.

When implementing our systems, we also support you with our broad range of training measures.

### Design program

With the LF-MGE Linear Motion Designer we offer a professional planning tool for the quick and easy design of linear guides.

LF-MGE	No.
	3 842 540 900

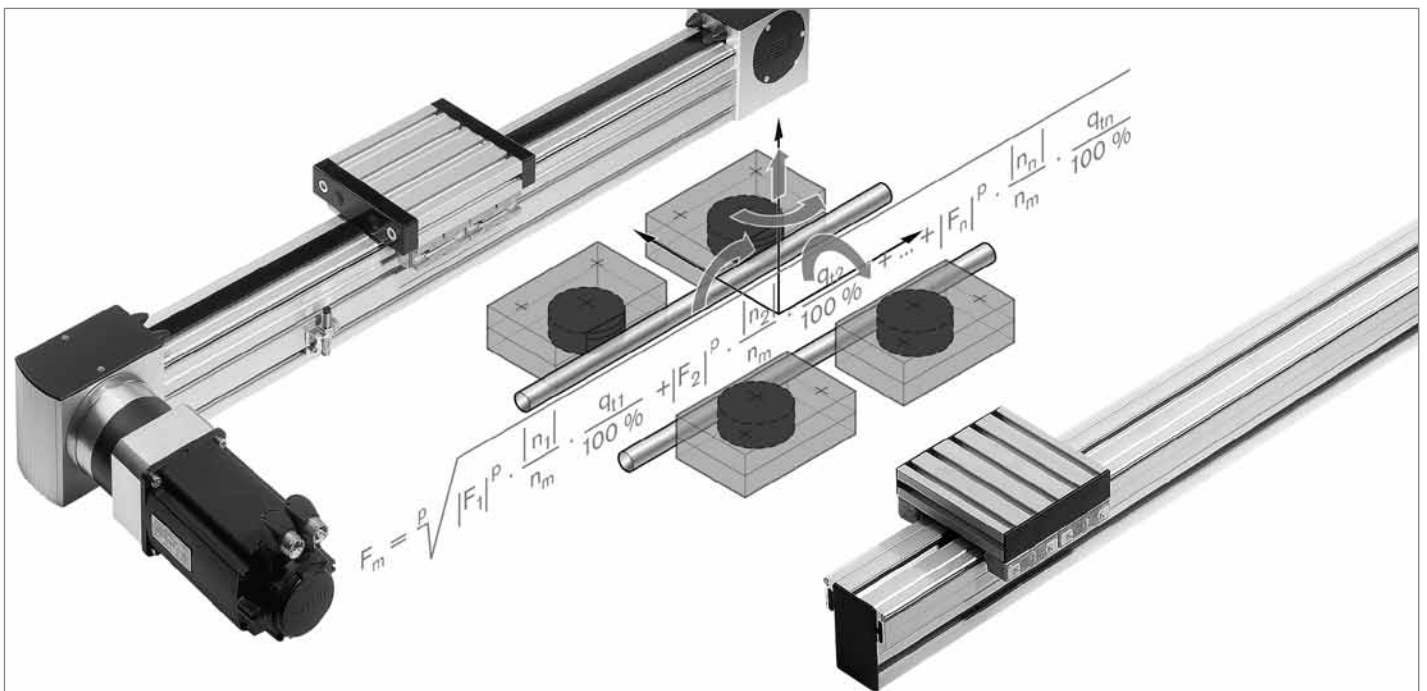
### Performance characteristics

- ▶ Calculation of the service life of the individual guide bearings
- ▶ Combination of up to 16 guide bearings
- ▶ Dynamic movement sequence input
- ▶ Checking of the selected size
- ▶ Quick and easy design
- ▶ Clear displaying and documenting of results

Multilingual content and graphical user interface in 5 different languages (de/en/fr/it/es). The program can be run directly from the CD without separate installation.

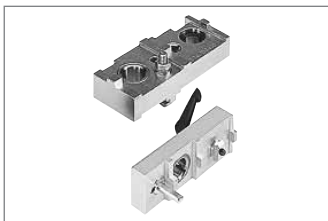
You can order the CD directly from our media catalog, number 3 842 540 900.

[www.boschrexroth.com/mediadirectory](http://www.boschrexroth.com/mediadirectory)

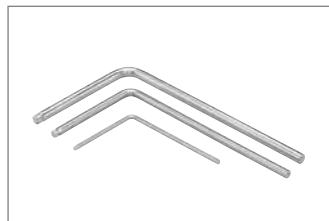




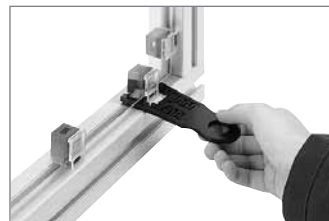
# Tools



Drilling jigs (p. 14-2)



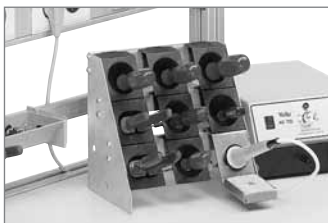
Offset screwdriver Torx®  
(p. 14-6)



Variofix remover, flexible  
grinder for anodized  
surfaces (p. 14-7)



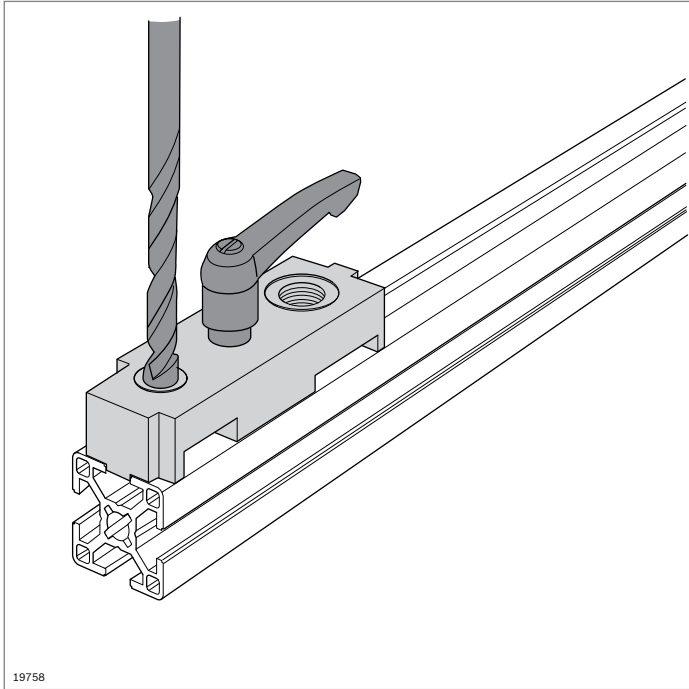
Beveling shears (p. 14-7)



Tool shelf, tool holder  
(p. 14-8)

Let us send you information on the complete product range  
of Bosch power tools!

Robert Bosch GmbH  
Geschäftsbereich Elektrowerkzeuge  
Postfach 10 01 56  
D-70745 Leinfelden-Echterdingen  
<http://www.bosch-pt.de>

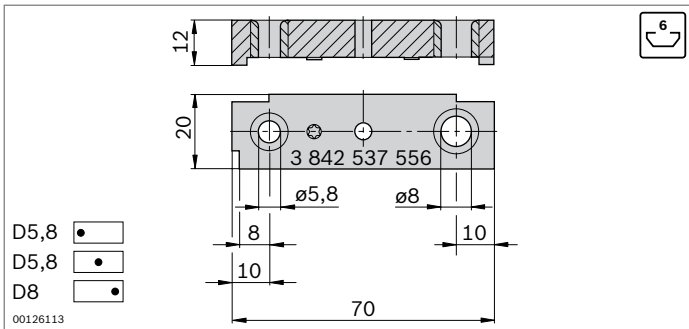


19758

## Drilling jigs



- ▶ For simple drilling of standard holes for the Rexroth range of connectors
- ▶ Stopping surfaces and edges for precise hole positioning
- ▶ Lockable



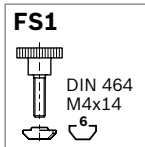
### Drilling jigs – slot 6 mm

- ▶ For through-holes ( $\varnothing 5.8$ ) for hexagonal-star socket screwdrivers T25
- ▶ For fastening holes ( $\varnothing 8$ ) for quick connectors

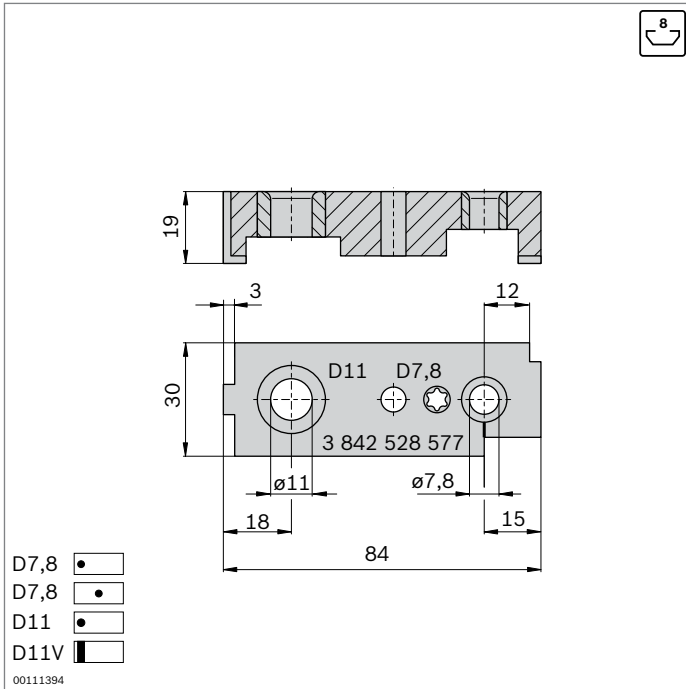
Drilling jig	No.	FS
Slot 6 mm	3 842 537 556	FS1

Material: aluminum

Scope of delivery: incl. fastening material (FS)





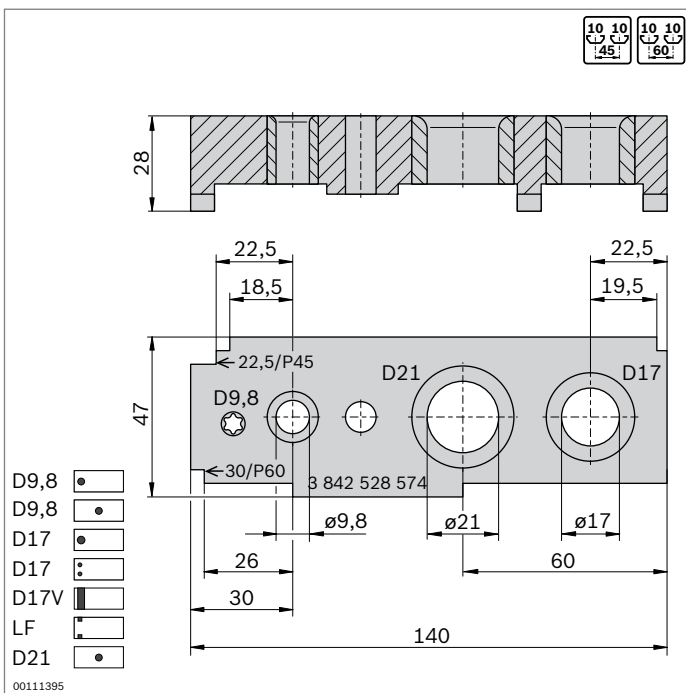
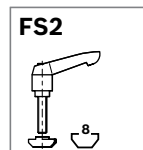


### Drilling jigs – slot 8 mm

- ▶ For through-holes ( $\varnothing 7.8$ ) for hexagonal-star socket screwdrivers T40
- ▶ For fastening holes ( $\varnothing 11$ ) for quick connectors

Drilling jig	No.	FS
Slot 8 mm	3 842 528 577	FS2

Material: steel; galvanized  
 Scope of delivery: incl. fastening material (FS)

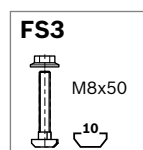


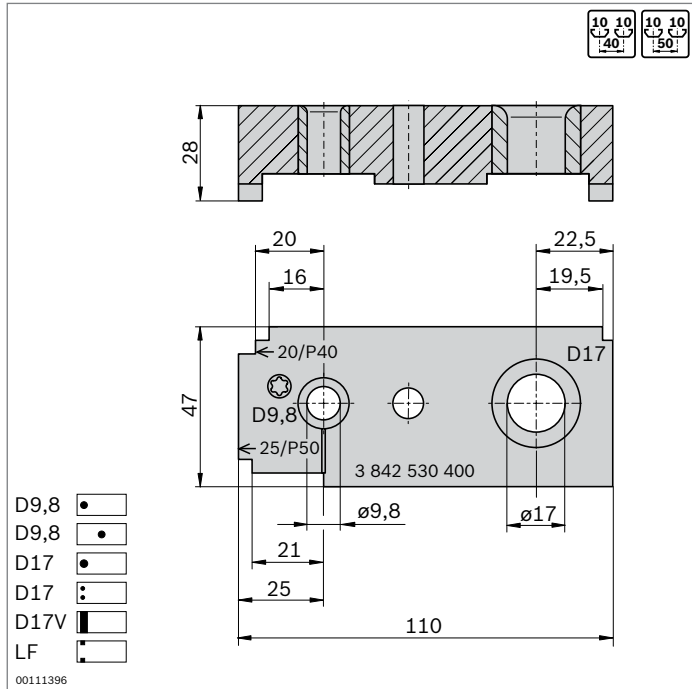
### Drilling jigs – slot 10 mm, modular dimensions 45, 60

- ▶ For fastening holes ( $\varnothing 17$ ) for bolt connectors, quick connectors, and threaded sleeves
- ▶ For through-holes ( $\varnothing 9.8$ ) for hexagonal-star socket screwdrivers T50
- ▶ For counterbores ( $\varnothing 21$ ) for pneumatic connections

Drilling jig	No.	FS
Slot 10 mm, modular dimensions 45, 60	3 842 528 574	FS3

Material: steel; galvanized  
 Scope of delivery: incl. fastening material (FS)





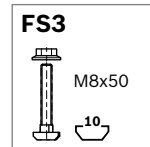
### Drilling jigs – slot 10 mm, modular dimensions 40, 50

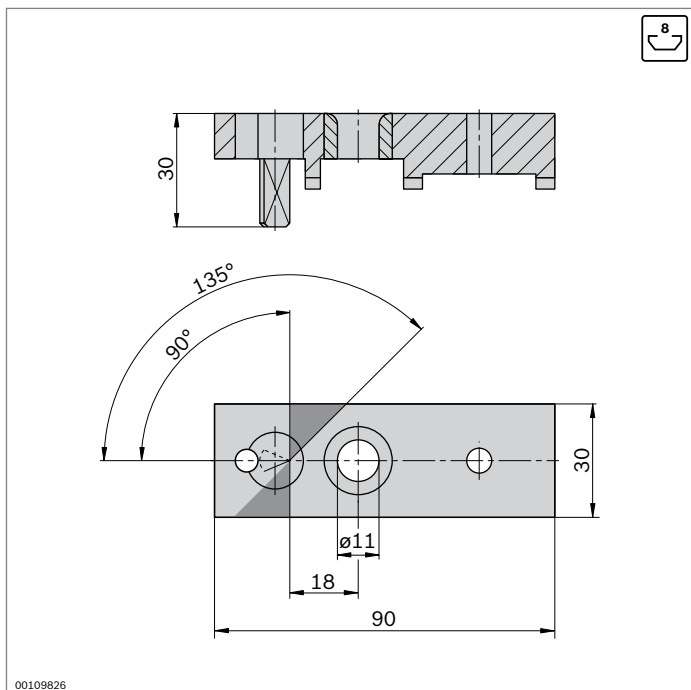
- For through-holes ( $\varnothing 9.8$ ) for hexagonal-star socket screwdrivers T50
- For fastening holes ( $\varnothing 17$ ) for bolt connectors, quick connectors, and threaded sleeves

Drilling jig	No.	FS
Slot 10 mm, modular dimensions 40, 50	3 842 530 400	FS3

Material: steel; galvanized

Scope of delivery: incl. fastening material (FS)





### Drilling jig for diagonally sawn profiles – slot 8 mm

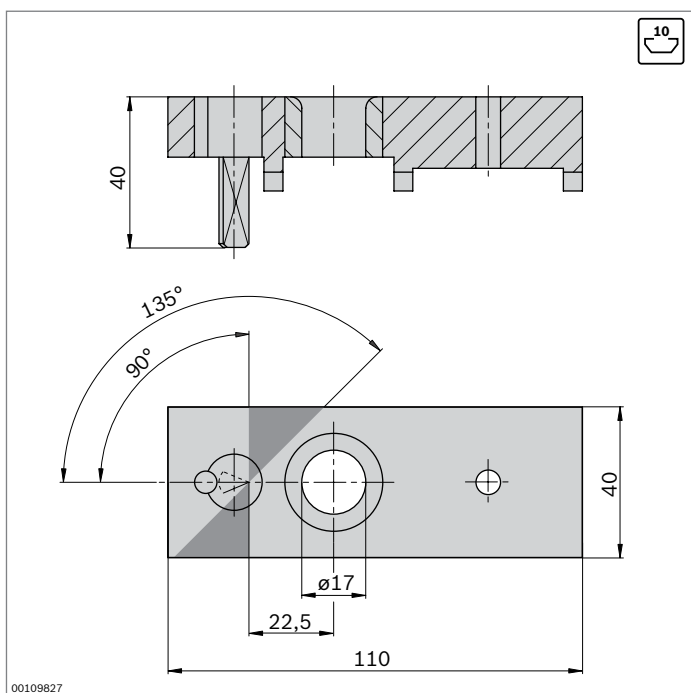
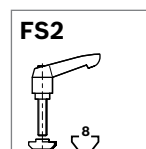
- For fastening holes (ø11) for bendable quick connectors

Drilling jig	No.	FS
Slot 8 mm – diagonally sawn profiles	3 842 516 729	FS2

Material: aluminum

Scope of delivery: incl. fastening material (FS)

Also see bendable quick connector (p. 3-56)



### Drilling jig for diagonally sawn profiles – slot 10 mm

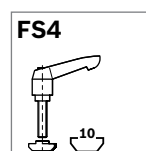
- For fastening holes (ø17) for bendable quick connectors

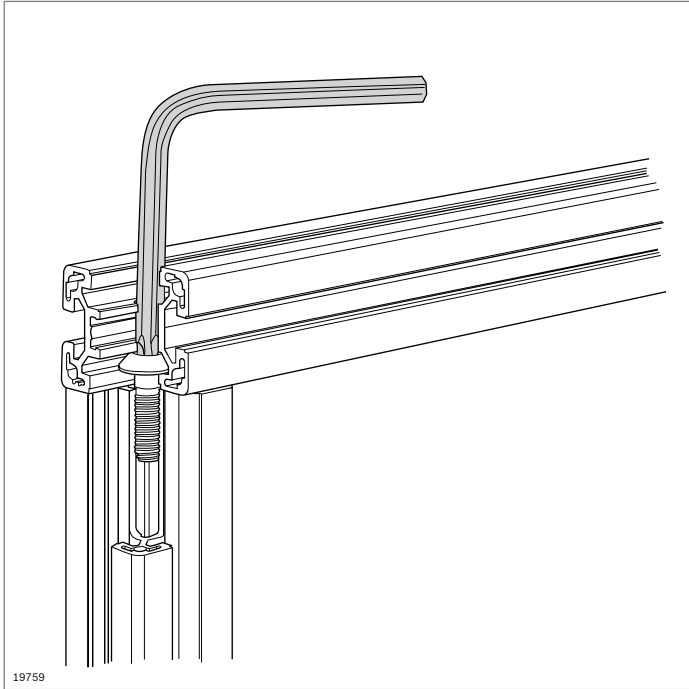
Drilling jig	No.	FS
Slot 10 mm – diagonally sawn profiles	3 842 516 731	FS4

Material: aluminum

Scope of delivery: incl. fastening material (FS)

Also see bendable quick connector (p. 3-56)



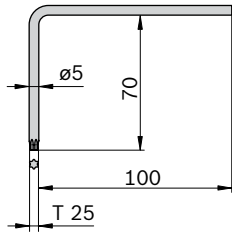


### Offset screwdriver Torx®



- ▶ Offset screwdriver for the central bolts (p. 3-40):
  - S6x16-**T25**
  - S8x25-**T40**
  - S12x30-**T50**, M12x30-**T50**
- ▶ Long shank for easy screw head access

**T25**



00111397

**Offset screwdriver T25**

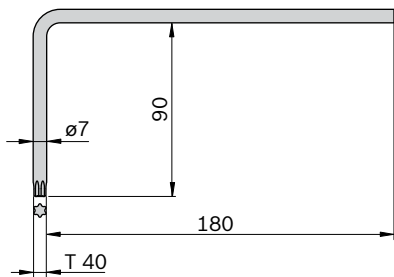


**No.**

5 **3 842 528 590**

Material: chrome vanadium steel

**T40**



00111398

**Offset screwdriver T40**

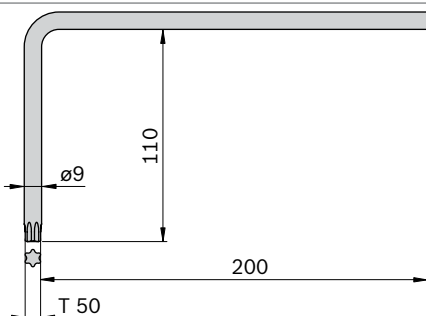


**No.**

5 **3 842 528 588**

Material: chrome vanadium steel

**T50**



00111399

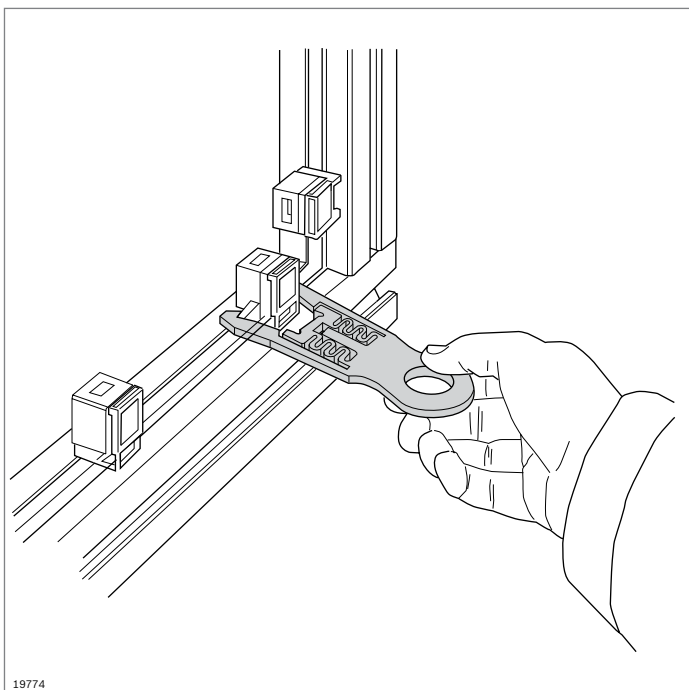
**Offset screwdriver T50**



**No.**

5 **3 842 528 586**

Material: chrome vanadium steel

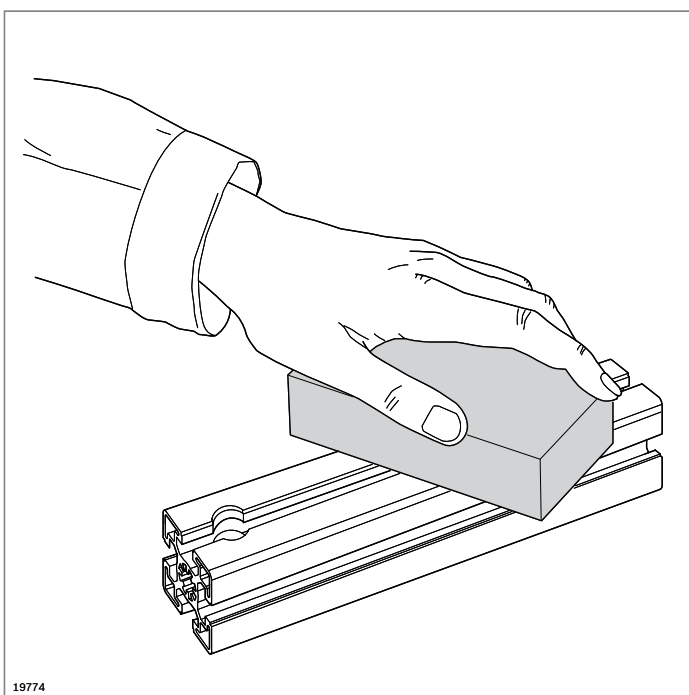


19774

### Variofix remover

- ▶ For fast, easy removal of the Variofix snap-in clip (p. 7-6), even in hard-to-reach places
- ▶ The remover is pushed onto the snap-in clip of the Variofix block so that it spreads the teeth of the clip and can then be removed together with the clip

Variofix remover	No.
	10 <b>3 842 526 589</b>
Material:	PA

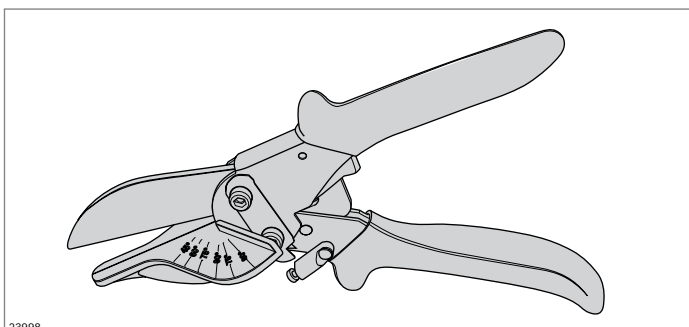


19774

### Flexible grinder for anodized surfaces

- ▶ Hand grinder for removing light soiling and minor scratches
- ▶ Handy grindstone made of flexible base material containing abrasive agents
- ▶ Long service life thanks to automatic, continual surface renewal, like an eraser
- ▶ Suitable for all natural-colored, anodized surfaces, e.g. also for aluminum windows and doors

Flexible grinder for anodized surfaces	No.
	<b>3 842 518 650</b>
Material:	silicon carbide 60% polyurethane 40%

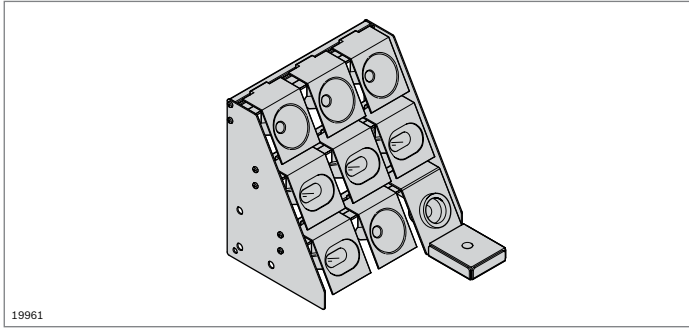


23998

### Miter cutter

- ▶ For length-trimming of polymer profiles, e.g. slot cover profiles

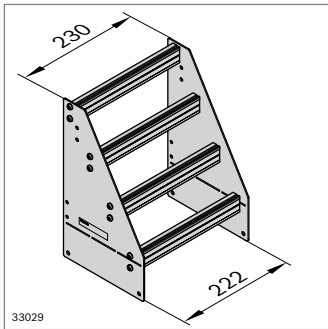
Miter cutter	No.
	<b>3 842 547 982</b>



## Tool shelf Tool holder

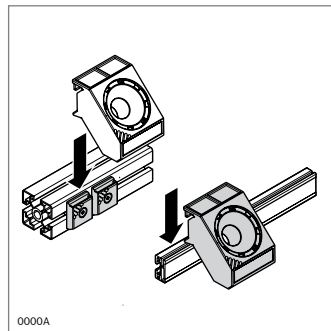
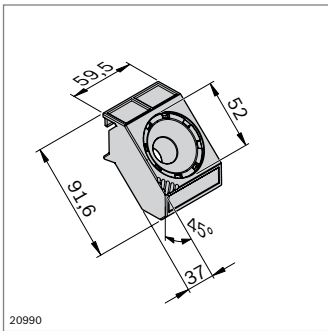


- ▶ Tool shelf and tool holder for ergonomic and handy positioning of tools at the workstation
- ▶ Tool shelf can be individually equipped
- ▶ Accessories: Container mount (p. 2-61)



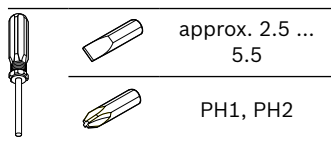
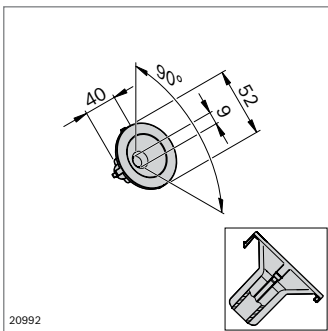
Tool shelf	ESD	No.
		<b>3 842 554 909</b>

Material: Side parts: Sheet aluminum  
Suspension profile: aluminum, anodized

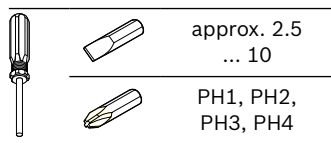
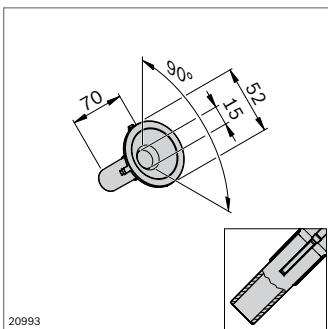


## Tool holder D52 for bucket-trays D52-9 and D52-15

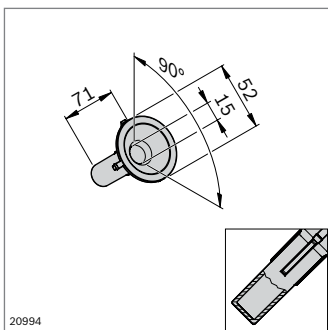
Tool holder D52	ESD	No.
		<b>3 842 544 832</b>



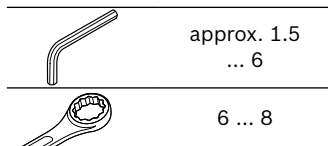
Bucket-tray D52-9 (open base)	ESD	No.
		<b>3 842 544 834</b>



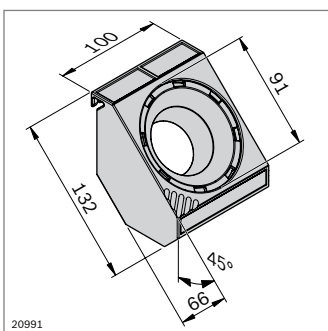
Bucket-tray D52-15 (open base)	ESD	No.
		<b>3 842 544 835</b>



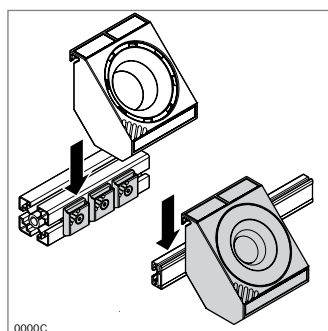
20994



<b>Bucket-tray D52-15 (closed base)</b>	<b>ESD No.</b>
	3 842 544 836



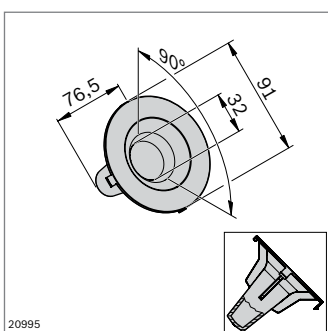
20991



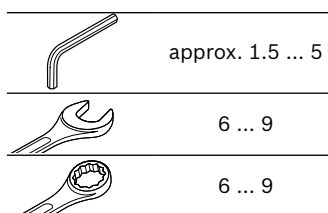
0000C

**Tool holder D91 for bucket-trays D91-32, D91 Oval53 L100 and D91 Oval53 L136**

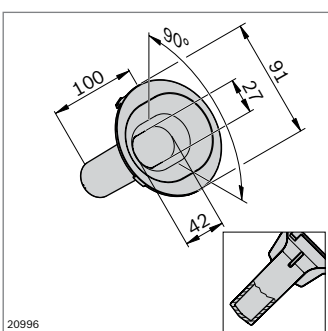
<b>Tool holder D91</b>	<b>ESD No.</b>
	3 842 544 833



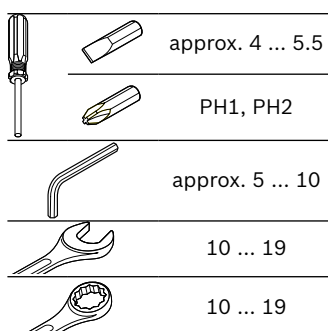
20995



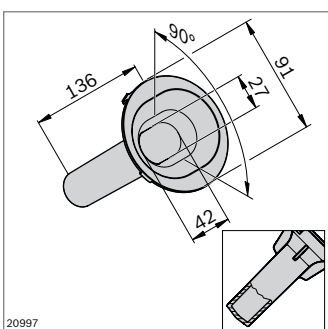
<b>Bucket-tray D91-32 (closed base)</b>	<b>ESD No.</b>
	3 842 544 837



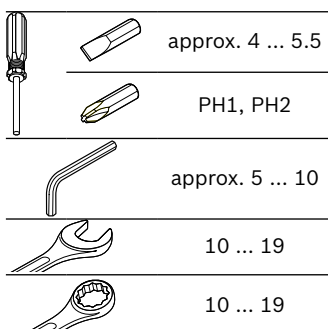
20996



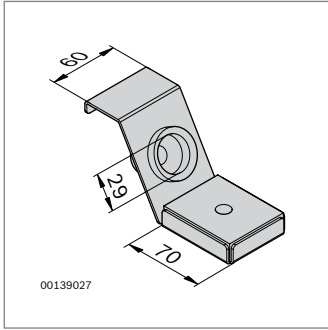
<b>Bucket-tray D91 Oval53 L100 (closed base)</b>	<b>ESD No.</b>
	3 842 546 744




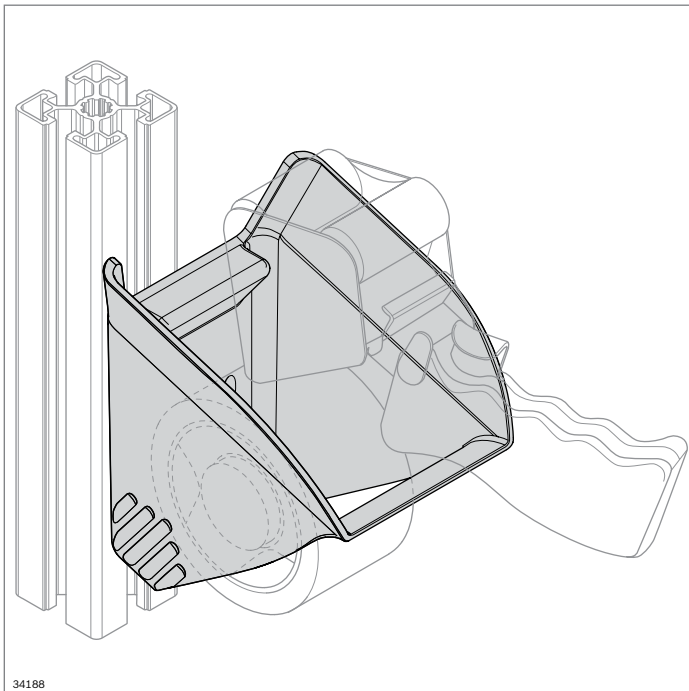
20997



<b>Bucket-tray D91 Oval53 L136 (closed base)</b>	<b>ESD No.</b>
	3 842 546 745



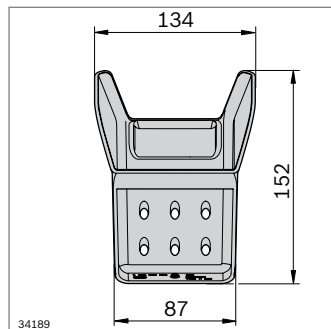
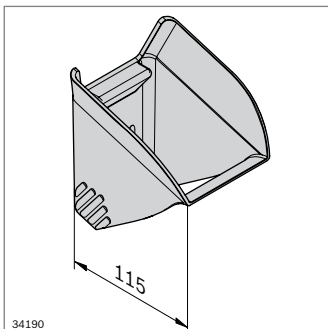
<b>Tool holder for soldering irons</b>	<b>ESD No.</b>
	 <b>3 842 514 524</b>




### Tool holder TAPE 50 mm



- ▶ Tool holder for tape dispenser with a width of 50 mm
- ▶ Time savings of 10% to 20% based on MTM, achievable with
  - Defined place for faster reaching and picking
  - Docking aids for easy, ergonomic depositing
- ▶ Supports 5S principles for order and cleanliness at the workstation via defined place



<b>Tool holder TAPE 50 mm</b>	<b>ESD No.</b>
	 <b>3 842 555 673</b>

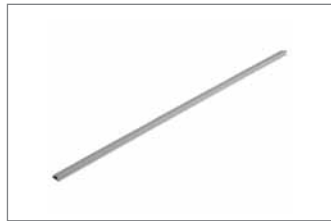
Material: PA 6; black  
 Scope of delivery: Includes fastening material for fastening in 8 mm or 10 mm slots



# FiFo station



Guide rail (p. 15-2)



Adapter (p. 15-3)



Right end cap, small  
(p. 15-3)



Left end cap, small  
(p. 15-3)

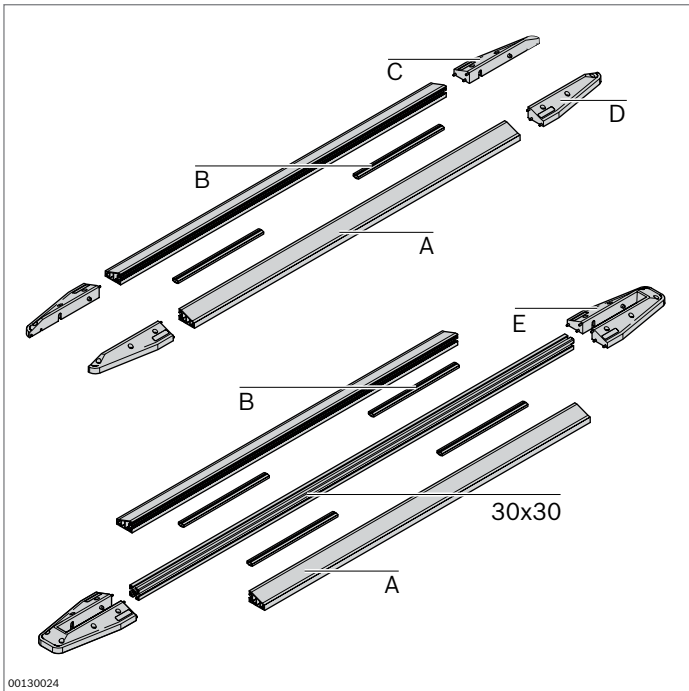


End cap, large (p. 15-3)

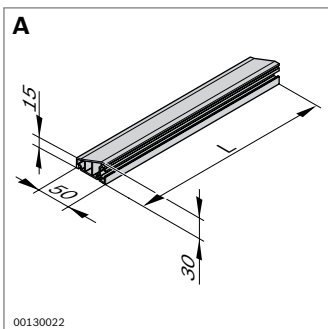


## FiFo station

- ▶ Components for constructing a FiFo station for material shuttles
- ▶ Clearly organized and highly transparent production operations through having standardized delivery routes
- ▶ Modular system lets you adapt the layout to your needs and to your available space



00130024

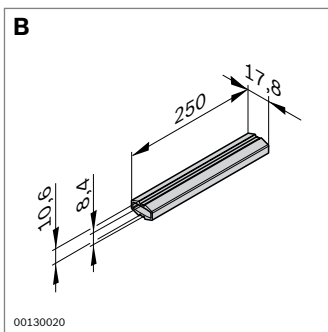


00130022

- ▶ Adhesive strips for fastening to floor
- ▶ Screw fitting to floor possible at end caps

Guide rail	L (mm)	No.	No.
A	1200	10	3 842 540 012
	2400	10	3 842 539 894

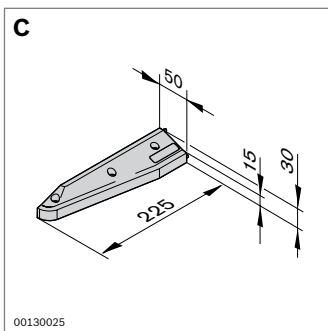
Material: PVC, yellow



- ▶ For the parallel connection of guide rails, or a guide rail with a 30x30 profile

Adapter		No.
<b>B</b>	20	<b>3 842 539 898</b>

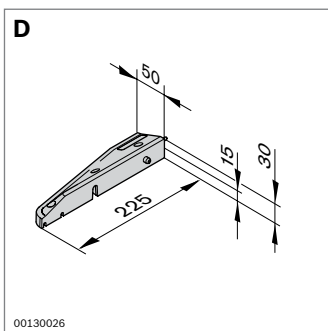
Material: PP



- ▶ For use as a jointing aid and for fastening the guide rails to the floor

Right-hand end cap, small		No.
<b>C</b>	10	<b>3 842 539 895</b>

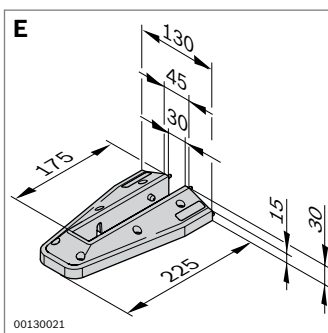
Material: PA 6; black



- ▶ For use as a jointing aid and for fastening the guide rails to the floor

Left-hand end cap, small		No.
<b>D</b>	10	<b>3 842 539 896</b>

Material: PA 6; black



- ▶ For installing a 30x30 profile between two guide rails
- ▶ The 30x30 profile can be used to construct flow rack systems, information boards, and height limits. Since the guide rails are flat-sided, setup can be done using a wide profile (40, 45, 50)

Required accessories:

- ▶ Profile 30x30 (p. 2-17)

End cap, large		No.
<b>E</b>	10	<b>3 842 539 897</b>

Material: PA 6; black



# Components for lateral guides



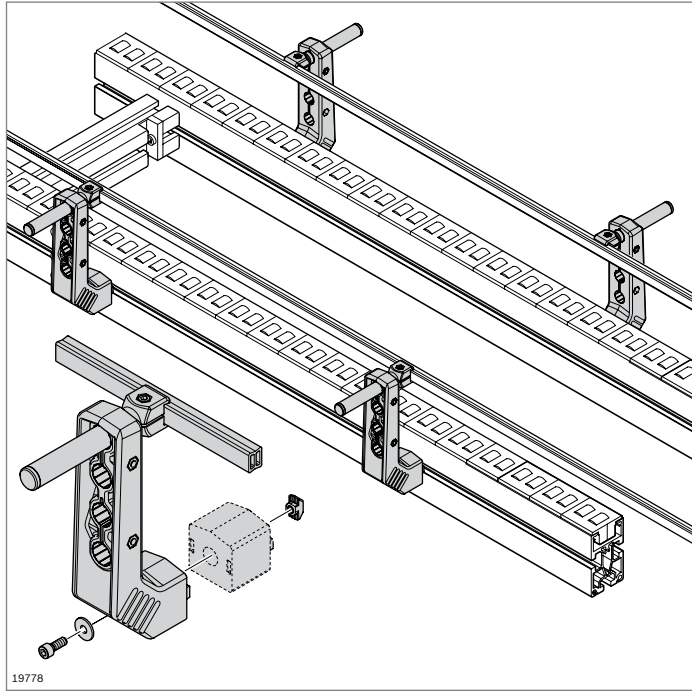
Profile rails, slide rails  
(p. 16-3)



Holder, fixed (p. 16-6)



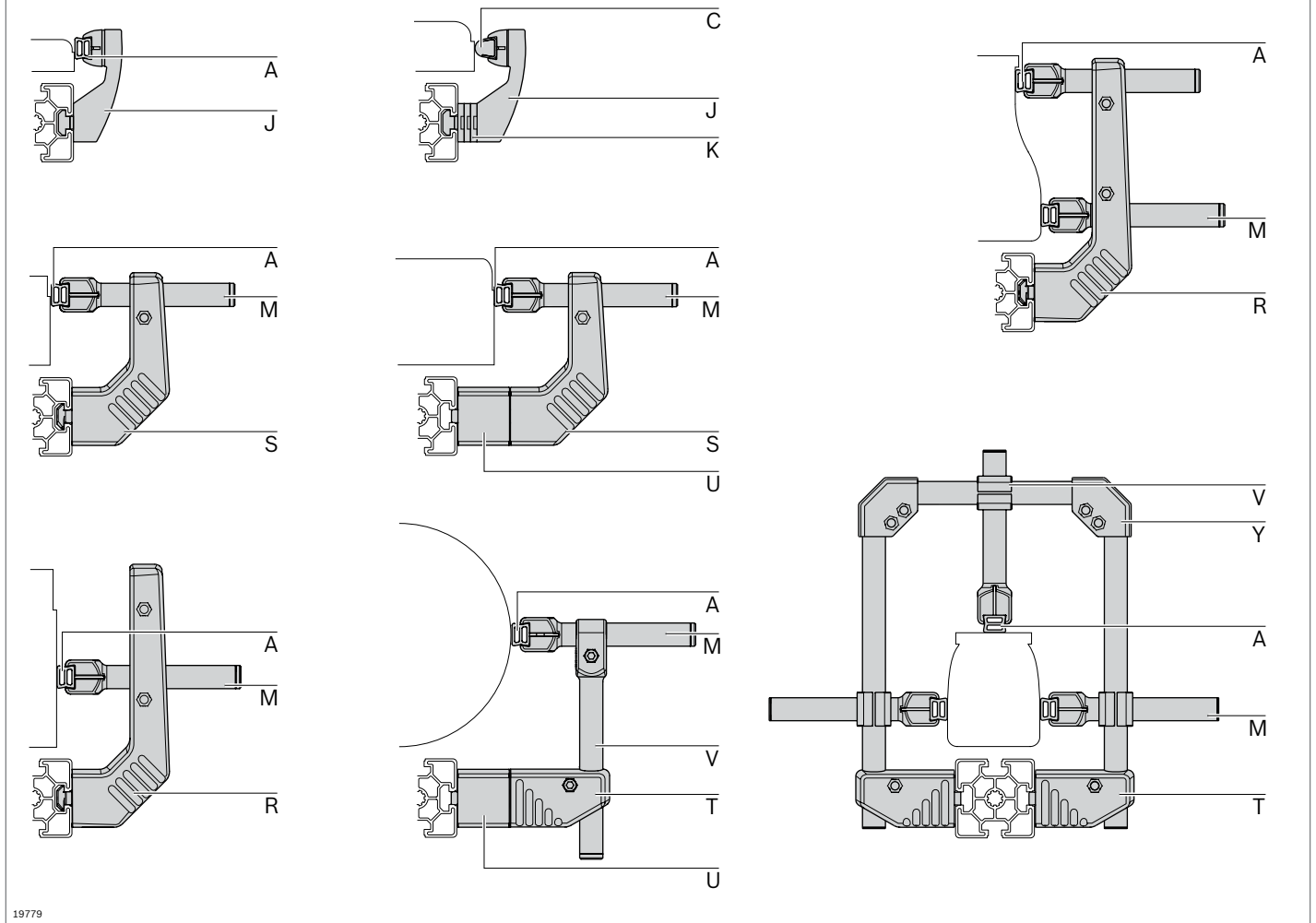
Holder, variable (p. 16-8)

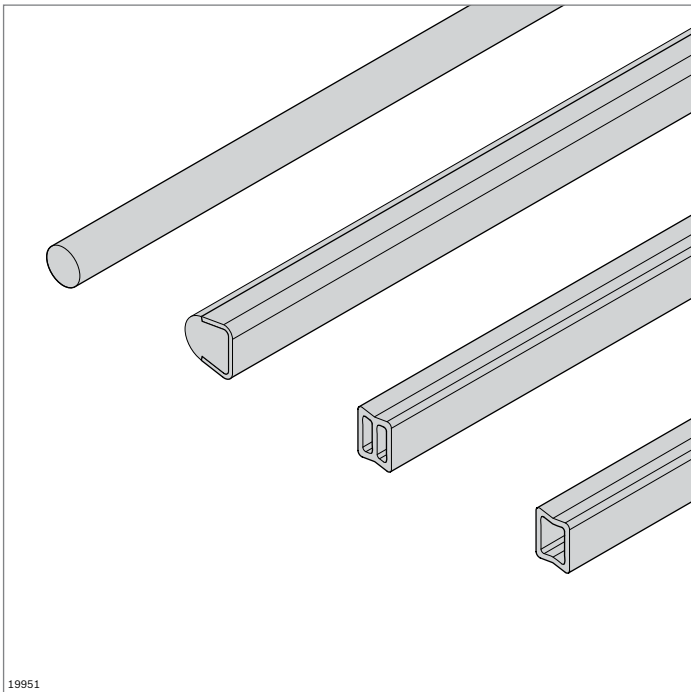


### Components for lateral guides

- ▶ Wide variety of profile rail and holder combinations for individual solutions
- ▶ Easy to clean
- ▶ Sturdy
- ▶ Only one tool required for adjustment
- ▶ 10 mm slot interface

### Mounting variants

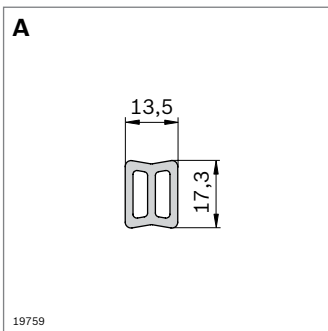




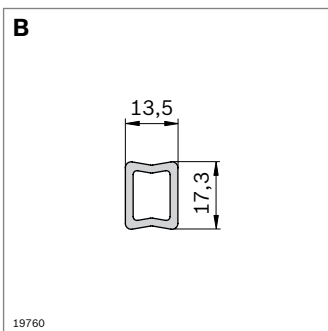
19951

### Profile rails for lateral guides

- ▶ Sectional rails for lateral guiding of the transported material
- ▶ Suitable for fixed lateral guide holders (p. 16-6), and variable lateral guide holders (p. 16-8)
- ▶ Various materials and geometries for different applications



19759



19760

- ▶ Aluminum profile rail for robust lateral guides

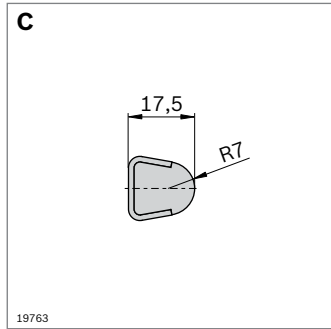
Aluminum profile rail		L (mm)	No.
1 pcs		200 ... 3000	<b>3 842 993 887 / L</b>
20 pcs		3000	<b>3 842 538 829</b>

Material: aluminum; natural, anodized  
 Accessories: narrow slide rail (E); high slide rail (F); outer profile connector (G); inner profile connector (H); cover cap (I); clamping holder C L100 (M); holder (J); clamping head (L); clamping head (O)

- ▶ HDPE profile rail for light applications
- ▶ Bendable

HDPE profile rail		L (mm)	No.
1 pcs		3000	<b>3 842 538 388</b>

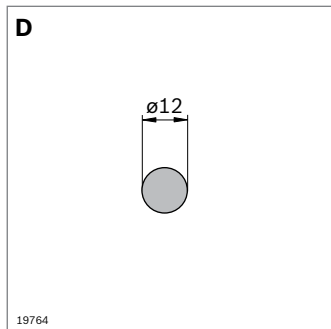
Material: HDPE; gray  
 Accessories: narrow slide rail (E); high slide rail (F); outer profile connector (G); inner profile connector (H); cover cap (I); clamping holder C L100 (M); holder (J); clamping head (L); clamping head (O)



- ▶ Profile rail 17x17.5 in robust stainless steel version with PE guide for gentle product handling

Profile rail 17x17.5		L (mm)	No.
1 pcs		200 ... 3000	<b>3 842 994 863 / L</b>
20 pcs		3000	<b>3 842 529 850</b>

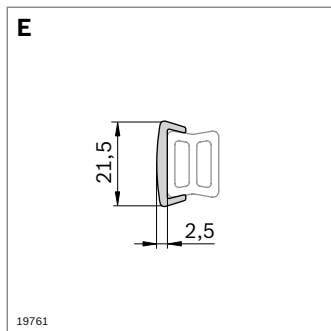
Material: steel, non-rusting / PE, natural  
 Accessories: outer profile connector (**G**); clamping holder C L100 (**M**); holder (**J**); clamping head (**L**); clamping head (**O**)



- ▶ Profile rail D12 in robust stainless steel version

D12 profile rail		L (mm)	No.
1 pcs		200 ... 3000	<b>3 842 993 306 / L</b>
6 pcs		3000	<b>3 842 533 841</b>

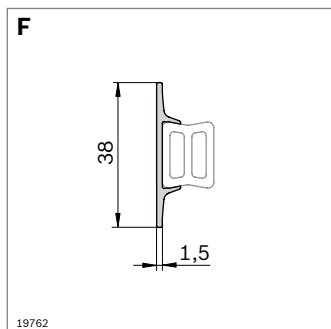
Material: Steel; stainless  
 Accessories: clamping holder D12 L100 (**N**)



- ▶ Clip-on slide rail for aluminum or HDPE profile rail
- ▶ For gentle product transport and minimum wear to HDPE profile rail

Slide rail, narrow	L (mm)	ESD	No.
	3000		<b>3 842 538 209</b>
	3000		<b>3 842 539 340</b>

Material: HDPE; gray  
 ESD: PE-UHMW, conductive, black

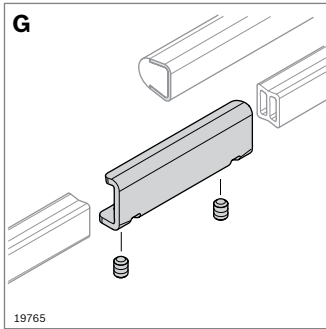


- ▶ Clip-on slide rail for aluminum or HDPE profile rail
- ▶ Wide guiding surface
- ▶ For gentle product transport and minimum wear to HDPE profile rail


Slide rail, high	L (mm)	No.
	3000	<b>3 842 538 389</b>

Material: HDPE; gray

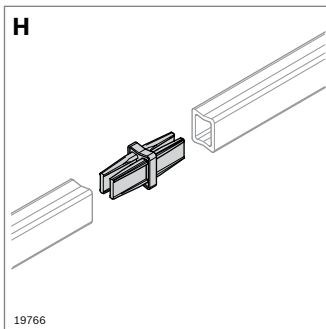





- ▶ Outer profile connector for aluminum profile rails **(A)**, HDPE profile rail **(B)**, 17x17.5 profile rail **(C)**

External profile connector		No.
	10	<b>3 842 539 613</b>

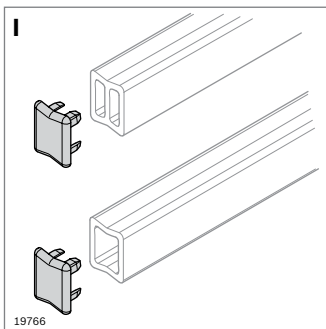
Material: Steel; stainless  
 Scope of delivery: Incl. 2 x headless setscrews




- ▶ Inner profile connector for profile rail in aluminum **(A)**, HDPE **(B)**

Inner profile connector		No.
	10	<b>3 842 539 345</b>

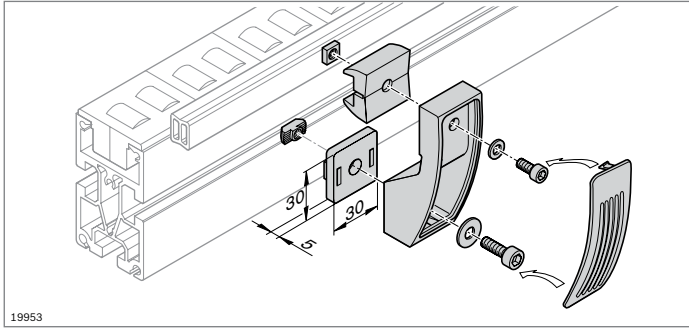
Material: PA; black, conductive



- ▶ Cap for aluminum **(A)** profile rail, HDPE **(B)** profile rail

Cover cap		No.
	10	<b>3 842 538 208</b>

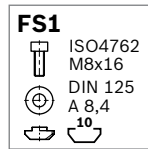
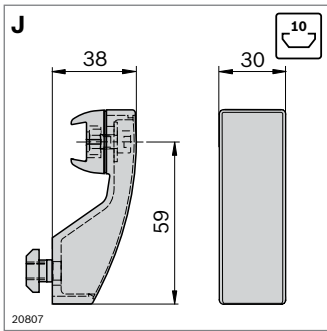
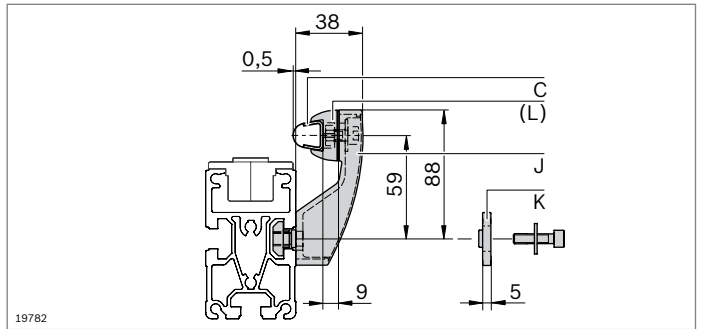
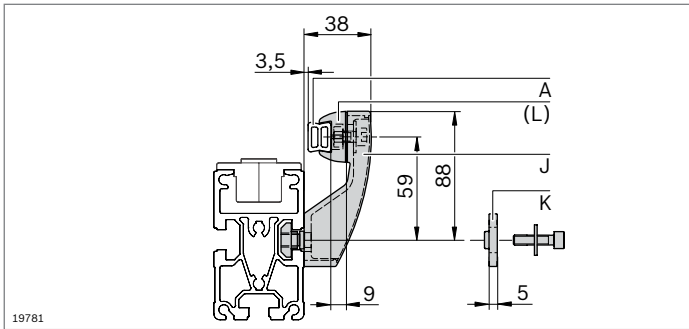
Material: PA; black, conductive



### Holder for lateral guide, fixed



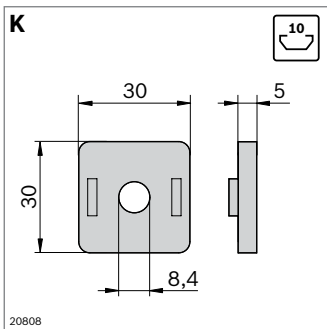
- Holders for lateral guides with fixed installation height and fixed guide width



- Holder, fixed, for aluminum profile rail (A), HDPE profile rail (B) and 17x17.5 profile rail (C)
- For fixed guide width
- Spacer plate (K) for guide width enlargement

Holder, fixed	No.	FS
<b>Set</b>	<b>3 842 527 851</b>	FS1

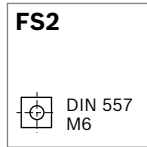
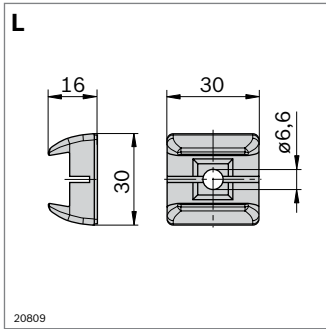
Material: PA; black  
Fastening material: steel; galvanized  
Scope of delivery: Incl. clamping head, fastening material (FS)




- Spacer plate for holders, fixed, for guide width enlargement

Spacer plate	No.
10	<b>3 842 527 738</b>

Material: PA; black

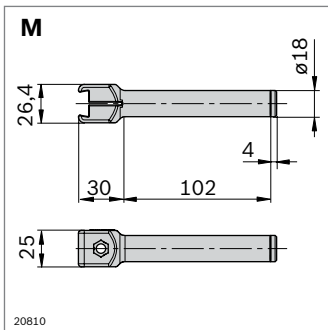


- Clamping head for on-site construction of supports for protruding transported material

Clamping head		No.	FS
Set	10	<b>3 842 536 295</b>	FS2

Material: PA; black  
Fastening material: steel; galvanized  
Scope of delivery: incl. fastening material (FS)

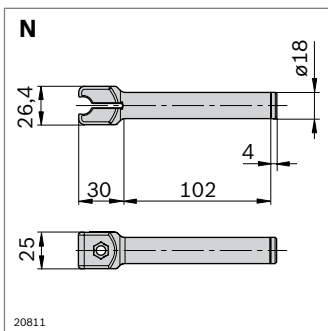




- ▶ Clamping holder C L100 for supporting aluminum (A), HDPE (B) or 17x17.5 (C) profile rails
- ▶ Scaling in mm and inches for simple alignment

Clamping holder C L100	No.
	10 <b>3 842 539 499</b>

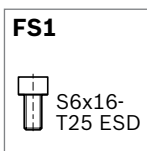
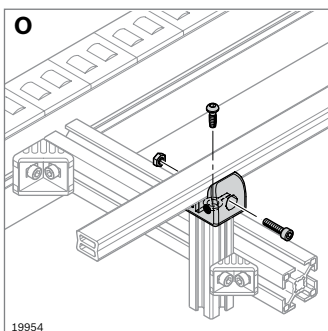
Material: Clamping holder: PA; black  
Nut, bolt: Steel; stainless  
Accessories: Plug (X)



- ▶ Clamping holder D12 for supporting profile rails D12 (D)
- ▶ Scaling in mm and inches for simple alignment

Clamping holder D12 L100	No.
	10 <b>3 842 539 498</b>

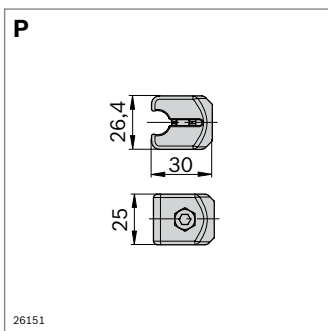
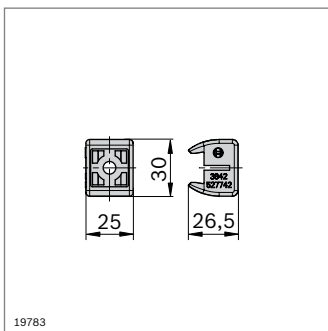
Material: Clamping holder: PA; black  
Nut, bolt: Steel; stainless  
Accessories: Plug (Z)



- ▶ Clamping head for supporting aluminum (A), HDPE (B) profile rails, or stainless steel profile rails with PE guide (C)
- ▶ Direct mounting on profiles with 10 mm slot

Clamping head	No.	FS
Set	10 <b>3 842 528 009</b>	FS1

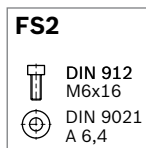
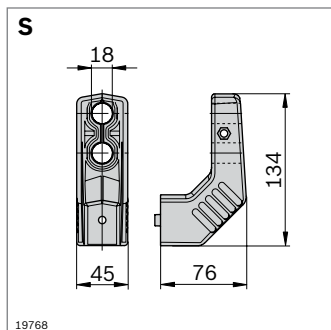
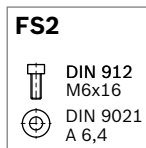
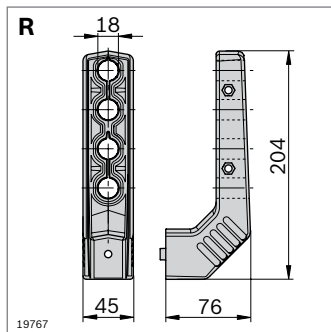
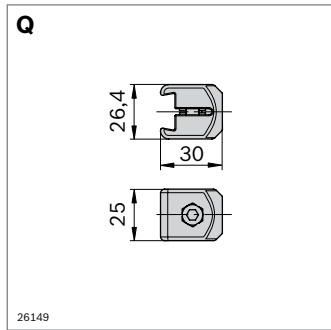
Material: Clamping holder: PA; black  
Fastening material: steel; galvanized  
Scope of delivery: incl. fastening material (FS)



- ▶ Clamping holder D12 for supporting profile rails D12 (D)
- ▶ In conjunction with tube 18 (W) to build longer clamping holders

Clamping holder D12	No.
P	10 <b>3 842 547 227</b>

Material: Clamping holder: PA; black  
Nut, bolt: Steel; stainless  
Accessories: Plug (Z), tube D18 (W)



- ▶ Clamping holder C for supporting aluminum **(A)**, HDPE **(B)** or 17x17.5 **(C)** profile rails
- ▶ In conjunction with tube D18 **(W)** for constructing longer clamping holders

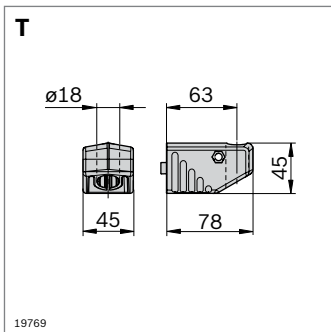
Clamping holder C		No.
<b>N</b>	10	<b>3 842 547 228</b>
Material:	Clamping holder: PA; black Nut, bolt: Steel; stainless	
Accessories:	Plug <b>(Z)</b> , tube D18 <b>(W)</b>	

- ▶ Holder for fastening clamping holders C L100 **(M)** or D12 L100 **(N)**
- ▶ Various installation heights possible for clamping holders
- ▶ Variable guide widths possible
- ▶ Spacer **(U)** for added enlargement of guide width
- ▶ Optional accessories: Clamping lever M6x40 (p. 4-11)

Holder L204	No.	FS
<b>Set</b>	<b>3 842 539 494</b>	FS2
Material:	PA, black Fastening material: Steel; stainless	
Scope of delivery:	incl. fastening material (FS)	
Accessories:	T-nut M6, 10 mm slot (p. 3-4) Spacer <b>(U)</b>	


- ▶ Holder for fastening clamping holders C L100 **(M)** or D12 L100 **(N)**
- ▶ Various installation heights possible for clamping holders
- ▶ Variable guide widths possible
- ▶ Spacer **(U)** for added enlargement of guide width
- ▶ Optional accessories: Clamping lever M6x40 (p. 4-11)

Holder L134	No.	FS
<b>Set</b>	<b>3 842 539 495</b>	FS2
Material:	PA; black Fastening material: Steel; stainless	
Scope of delivery:	incl. fastening material (FS)	
Accessories:	T-nut M6, 10 mm slot (p. 3-4) Spacer <b>(U)</b>	




**FS2**

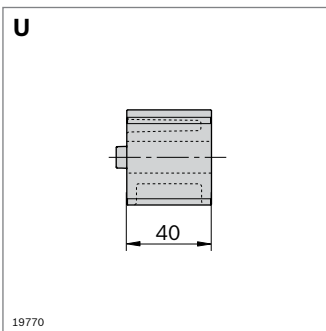
 DIN 912  
M6x16

 DIN 9021  
A 6,4


- ▶ Holder L45 for fastening vertical clamping holders or tube D18 (**W**)
- ▶ For infinitely height-adjustable lateral guides
- ▶ Spacer (**U**) for enlargement of guide width
- ▶ Optional accessories: Clamping lever M6x40 (p. 4-11)


Holder L45		No.	FS
<b>Set</b>	10	<b>3 842 539 496</b>	FS2


Material: PA; black  
Fastening material: Steel; stainless  
Scope of delivery: incl. fastening material (FS)  
Accessories: T-nut M6, 10 mm slot (p. 3-4)  
Spacer (**U**)



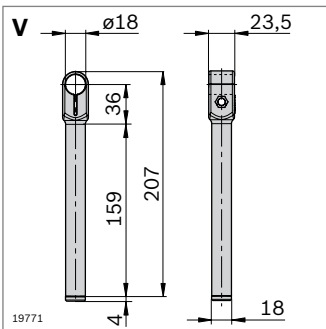
**FS3**

 DIN 912  
M6x55


 DIN 9021  
-A6,4

Spacer		No.	FS
<b>Set</b>	10	<b>3 842 539 497</b>	FS3

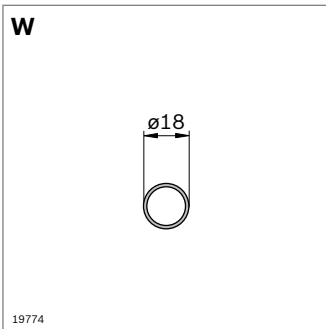
Material: PA; black  
Fastening material: Steel; stainless  
Scope of delivery: incl. fastening material (FS)



- ▶ Vertical clamping head for constructing height-adjustable guides
- ▶ Optional accessories: Clamping lever M6x40 (p. 4-11)

Vertical clamping holder D18 L160		No.
	10	<b>3 842 539 500</b>

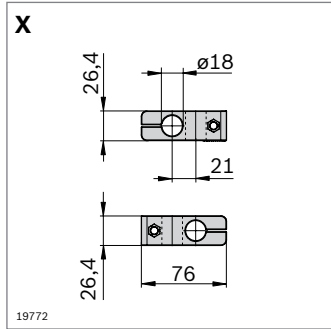
Material: PA; black  
Nut, screw: Steel; stainless  
Accessories: Plug (**Z**)




- ▶ Tube D18 for the construction of height-adjustable vertical holders or cross members for upper guides

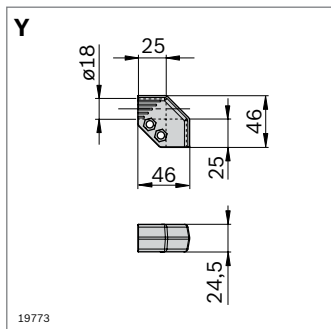
Tube D18	L (mm)	No.
	3000	<b>3 842 539 339</b>

Material: Stainless steel  
Accessories: Plug (**Z**)




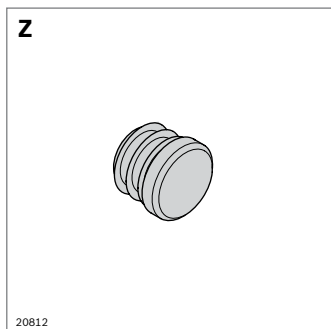
- ▶ Crosspiece for intersecting, perpendicular connections of tubes D18 (**W**) and clamping holders C L100 (**M**) or D12 L100 (**N**)
- ▶ Optional accessories: Clamping lever M6x40 (p. 4-11)

Crosspiece		No.
	10	<b>3 842 539 501</b>
Material:	Cross piece: PA; black Nut, screw: Steel; stainless	




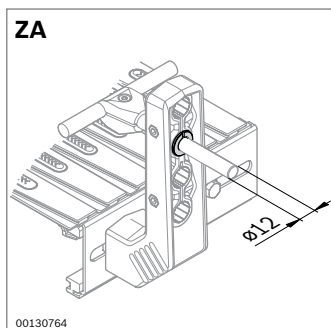
- ▶ Corner piece for end-to-end, perpendicular connections of tubes D18 (**W**) and clamping holders C L100 (**M**) or D12 L100 (**N**)

Corner piece		No.
	10	<b>3 842 539 505</b>
Material:	Corner piece: PA; black Nut, screw: Steel; stainless	




- ▶ Plug for sealing clamping holder C L100, (**M**), clamping holder D12 L100 (**N**), vertical clamping holder D18 L160 (**V**) or tube D18 (**W**)

Plug		No.
	10	<b>3 842 539 826</b>
Material:	PA; black	



- ▶ Reducing adapter for accommodating round profiles ø 12 in D18 mountings

Reduction piece		No.
	20	<b>3 842 539 344</b>
Material:	PA; black	



# Components for ESD applications



Set of grounding components (p. 17-2)



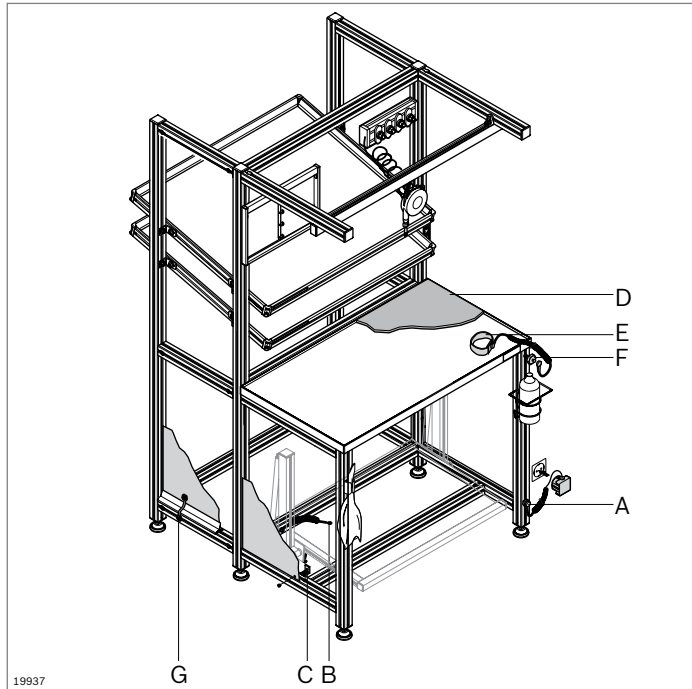
Grounding cable (p. 17-2)



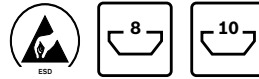
Potential fix (p. 17-3)



Wrist band, connection piece (p. 17-3)



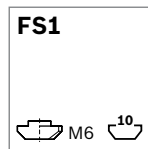
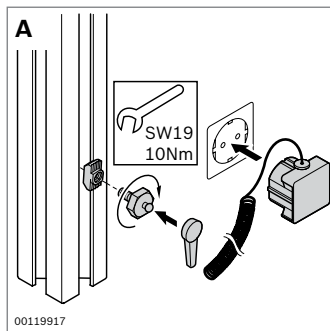
## Components for ESD applications



### ESD – Electro Static Discharge

Components which, due to their electrical properties and inner structure, are damaged or destroyed by static discharge also cause economic losses running into millions of euros each year.

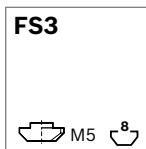
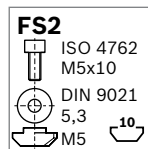
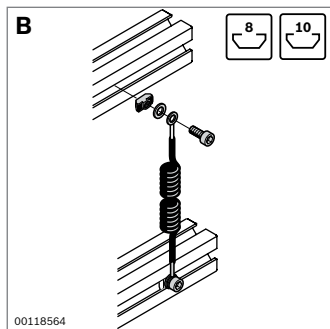
You can use Rexroth components for ESD applications to protect your products from this type of damage. Look for the ESD mark when selecting products (⚡).



- ▶ Set of grounding components for defined grounding of ESD workstations
- ▶ Conduction resistance  $R_A = 1 \times 10^6 \Omega$  (DIN EN 61340-5-1)

Accessories:

Damping ring or damping plate for insulation from conductive floors makes defined conduction possible (p. 6-4, 6-6)



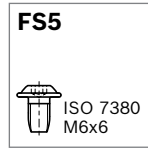
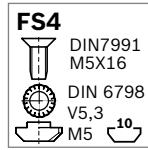
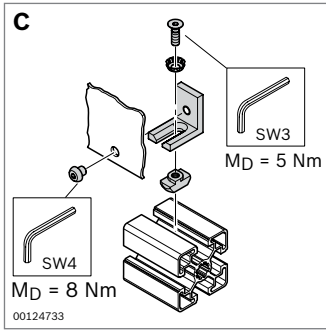
- ▶ Grounding cable to create defined conductive paths between strut profiles in order to protect ESD-sensitive components

Set of grounding components	ESD No.	FS
A	⚡ 3 842 522 087	FS1

Material: Fastening material: steel; galvanized  
Scope of delivery: incl. fastening material (FS)

Grounding cable	ESD No.	FS
B	⚡ 3 842 519 465	2xFS2, FS3

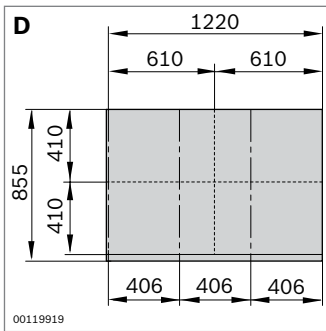
Material: Fastening material: steel; galvanized  
Scope of delivery: incl. fastening material (FS)



- ▶ Potential fix for defined grounding of surface elements such as side panels

Potentialfix	ESD	No.	FS
C		3 842 536 320	FS4, FS5

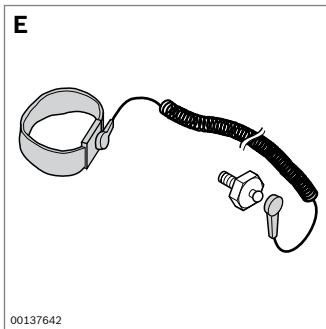
Material: Bracket: aluminum  
Fastening material: steel; galvanized  
Scope of delivery: incl. fastening material (FS)



- ▶ ESD mat insert for protecting ESD-sensitive components
- ▶ To create a safe, conductive connection, e.g. to ESD material shelves, we recommend using adhesive copper tape
- ▶ Conduction resistance  $R_A = 1 \times 10^6 - 1 \times 10^9 \Omega$  according to DIN EN 61340-5-1

ESD mat insert	ESD	No.
D 1220 mm x 855 mm		3 842 522 012

Material: rubber (thickness: 2 mm)



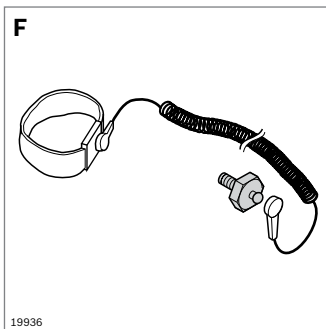
- ▶ Wrist band for defined grounding of people and protection of ESD-sensitive components

Required accessories:

- ▶ connection piece
- ▶ T-nut M6, or sliding block, swivel-in with spring, M6

Wrist band	ESD	No.
E		3 842 516 908

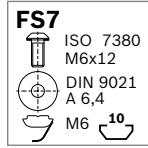
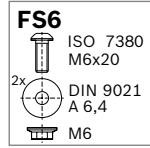
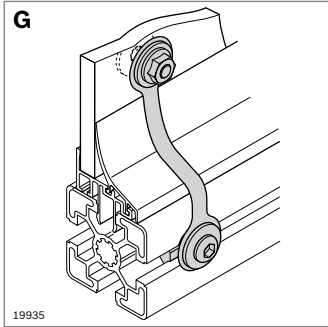
Material: Textile with woven-in conductive plastic, navy blue



- ▶ Connection piece for connecting the wrist band to the profile construction

Connection piece	ESD	No.
F		10 3 842 516 905

Material: steel; galvanized



- Potential equalizer for creating electrostatic conduction between surface elements and strut profiles

Potential equalizer	ESD	No.	FS
<b>G</b>		10	<b>3 842 536 148</b> FS6, FS7

Material: strip steel, non-rusting fastening material: steel; galvanized

Scope of delivery: incl. fastening material (FS)

# Sensors and switch brackets



SH 1/S (p. 18-2)



SH 1/U (p. 18-3)



SH 2/S, SH 2/ST (p. 18-4)



SH 2/S-H (p. 18-5)



SH 2/U (p. 18-7)



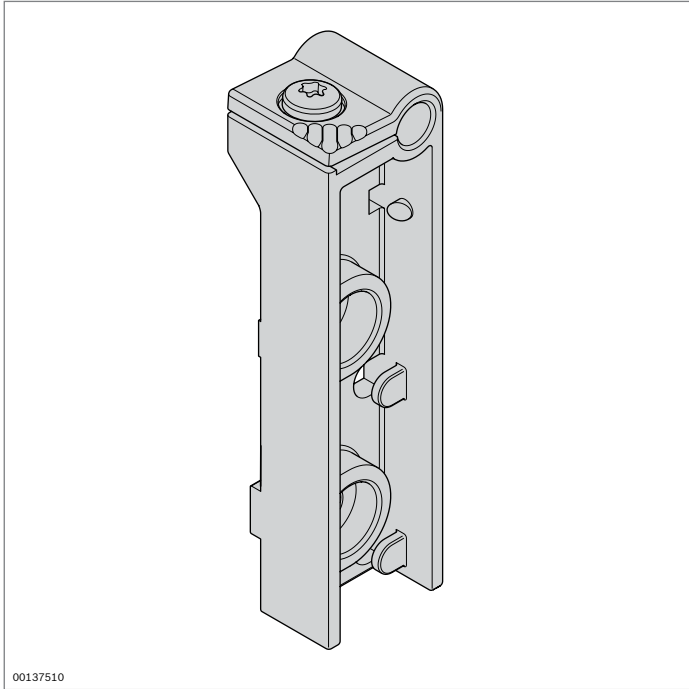
SH 2/U-H (p. 18-7)



Sensor (p. 18-8)



Stop (p. 18-10)

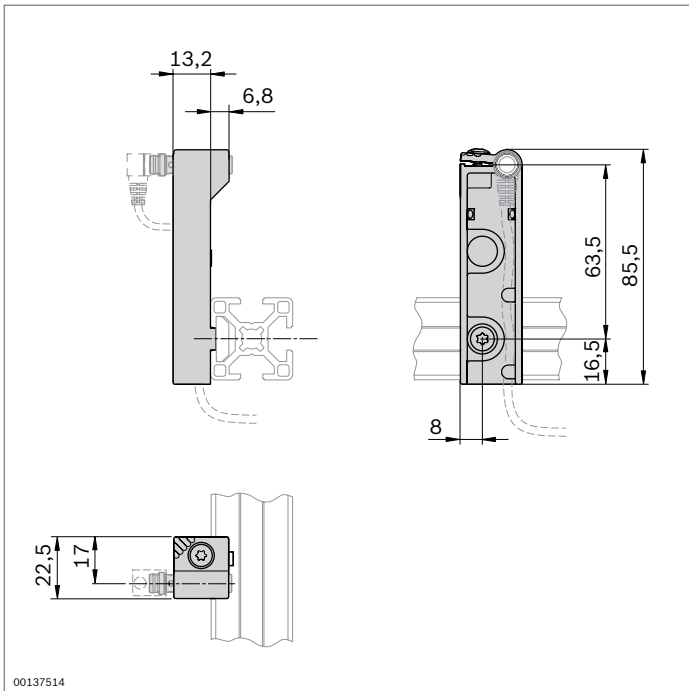



### SH 1/S switch bracket

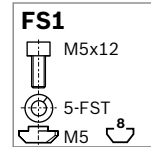


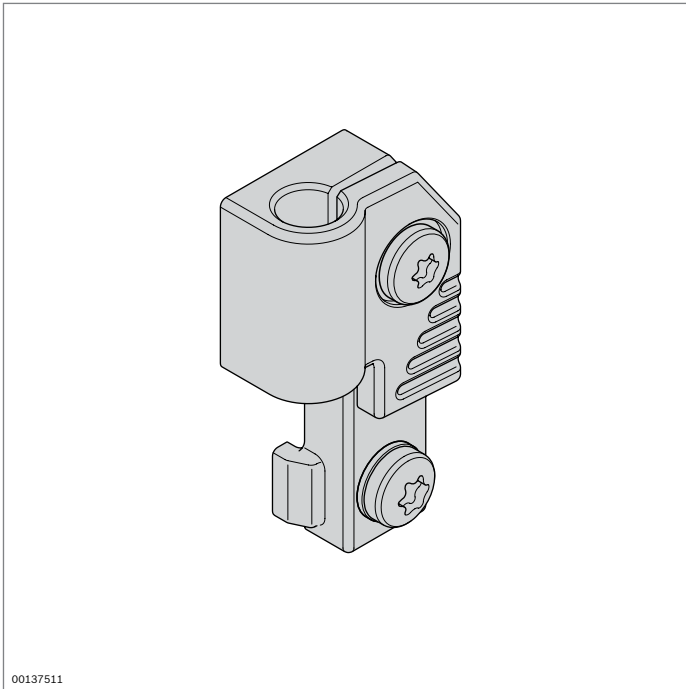
► For fastening a sensor Ø6.5 mm

Required accessories:  
Sensor Ø6.5mm (p. 18-8)



Switch bracket	ESD No.	FS
<b>SH 1/S</b>	 <b>3 842 542 556</b>	FS1
Material:	SH 1/S: PE 6.6, black Fastening material: steel; galvanized	
Scope of delivery:	incl. fastening material (FS)	





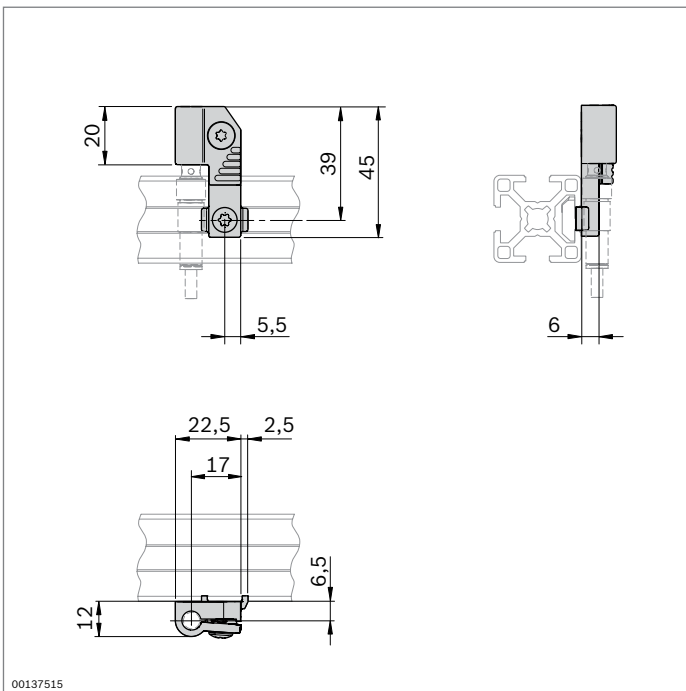
## SH 1/U switch bracket



► For fastening a sensor Ø6.5 mm

Required accessories:

Sensor Ø6.5 mm (p. 18-8)



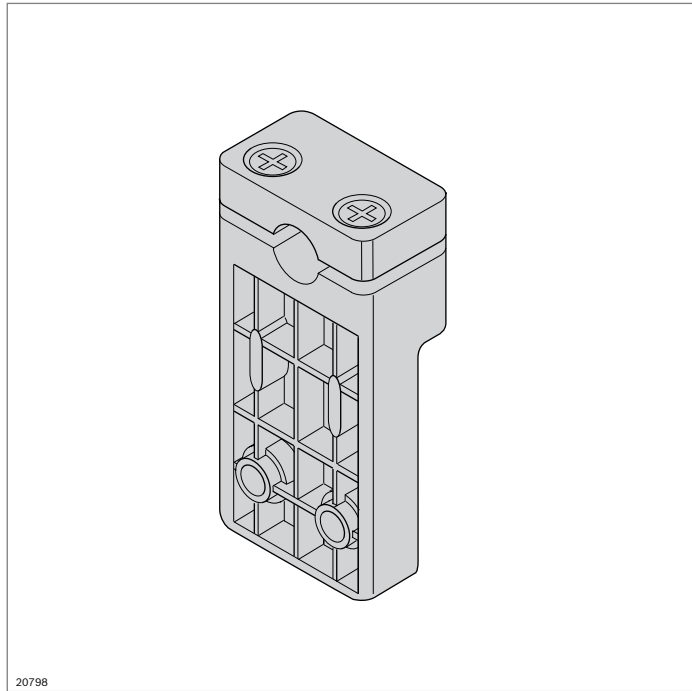
Switch bracket	ESD No.	FS
SH 1/U	3 842 542 555	FS1

Material: SH 1/U: PE 6.6, black

Fastening material: steel; galvanized

Scope of delivery: incl. fastening material (FS)

FS1	
	M5x12
	5-FST
	M5

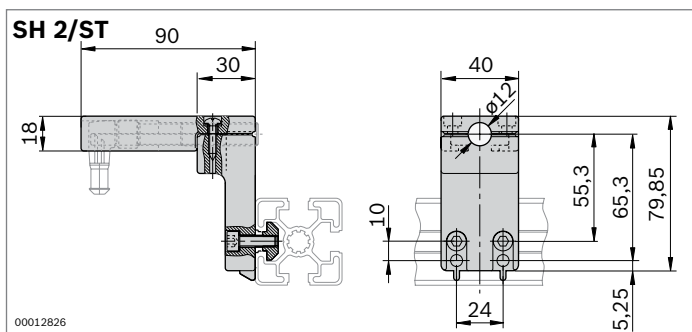
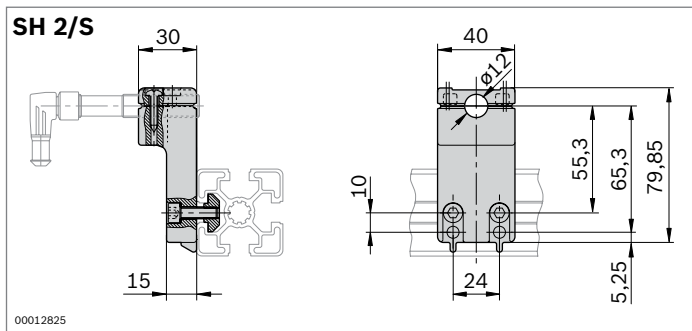


### Switch bracket SH 2/S, SH 2/ST



- For fastening a sensor M12
- SH 2/ST: Switch cover to protect switches and cables

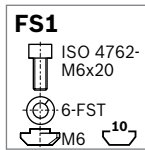
Required accessories:  
Sensor M12x50 (p. 18-9)



Switch bracket	No.	FS
SH 2/S	3 842 168 830	2xFS1

Material: Housing: PA6, black  
Switch cover (30 mm): PA6, black  
Fastening material: steel; galvanized  
incl. fastening material (FS)

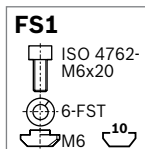
Scope of delivery:



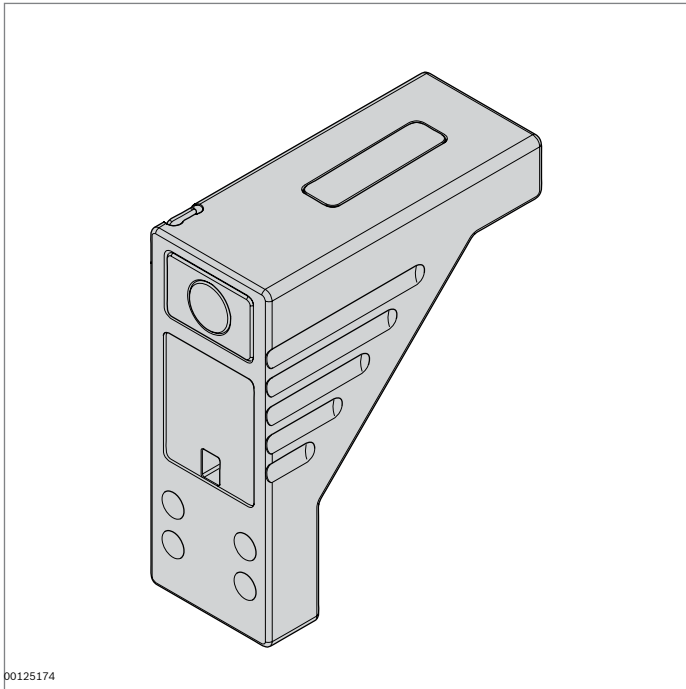
Switch bracket	No.	FS
SH 2/ST	3 842 168 850	2xFS1

Material: Housing: PA6, black  
Switch cover (90 mm): ABS; transparent  
Fastening material: steel; galvanized  
incl. fastening material (FS)

Scope of delivery:







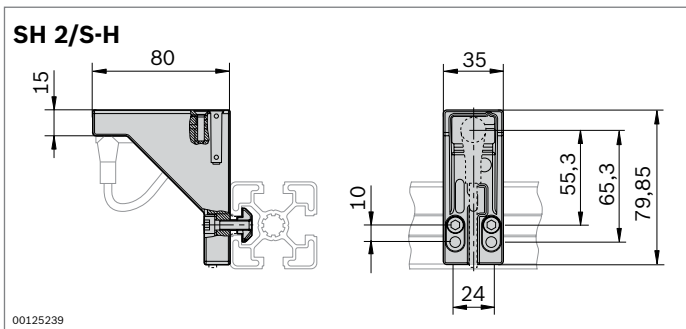
## SH 2/S-H switch bracket



- ▶ For fastening a sensor M12
- ▶ Especially sturdy metal design
- ▶ Able to bear loads of up to 100 kg
- ▶ Centering lugs for pre-positioning and quick assembly in the profile groove
- ▶ Integrated stop for 12 mm sensor
- ▶ Integrated cable guide

Required accessories:

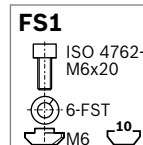
Sensor M12x50 (p. 18-9)

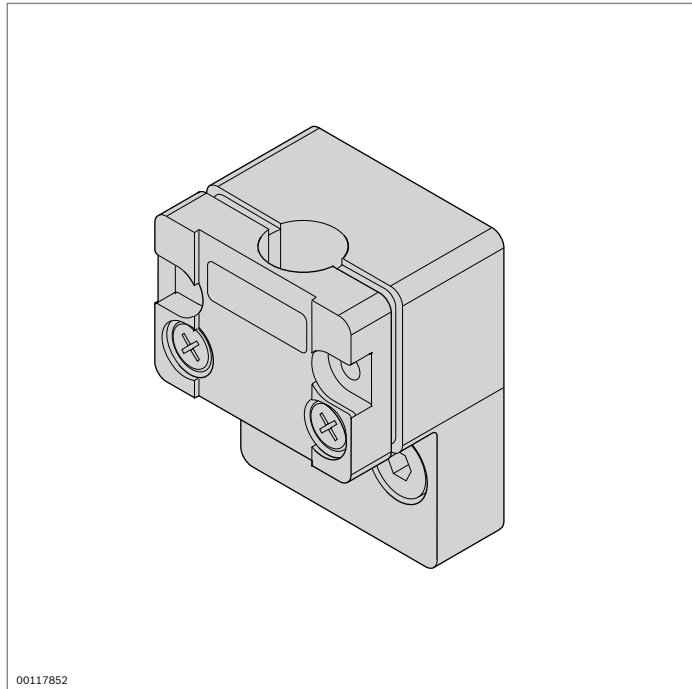


Switch bracket	No.	FS
SH 2/S-H	3 842 537 280	2xFS1

Material: SH 2/S-H: Die-cast aluminum  
Fastening material: steel; galvanized

Scope of delivery: incl. fastening material (FS)



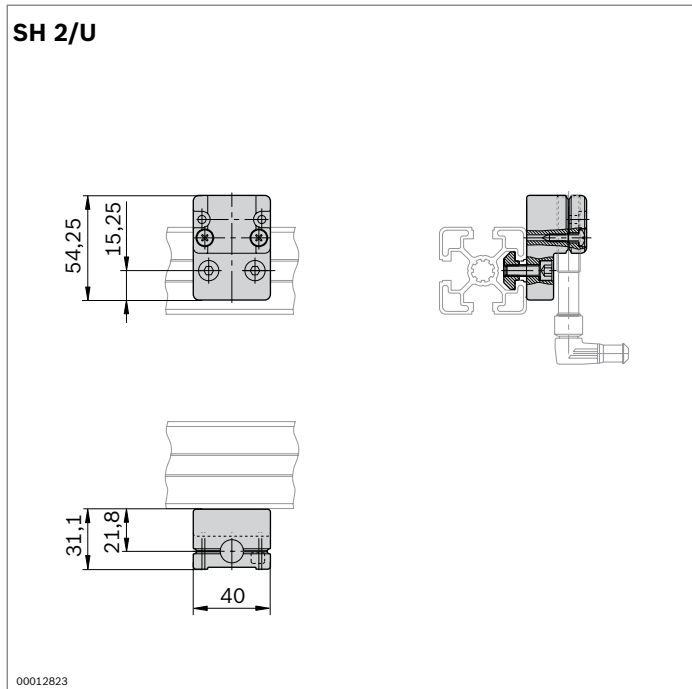


### Switch bracket SH 2/U



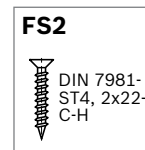
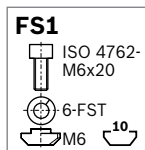
► For fastening a sensor M12

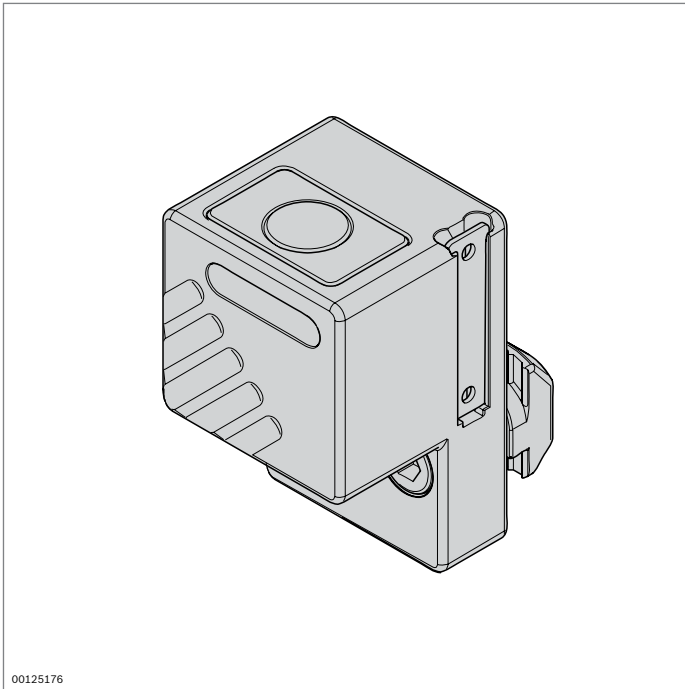
Required accessories:  
Sensor M12x50 (p. 18-9)



Switch bracket	No.	FS
SH 2/U	3 842 168 820	2xFS1, 2xFS2

Material: SH 2/U: PA6 granulate, black  
Fastening material: steel; galvanized  
Scope of delivery: incl. fastening material (FS)





## SH 2/U-H switch bracket

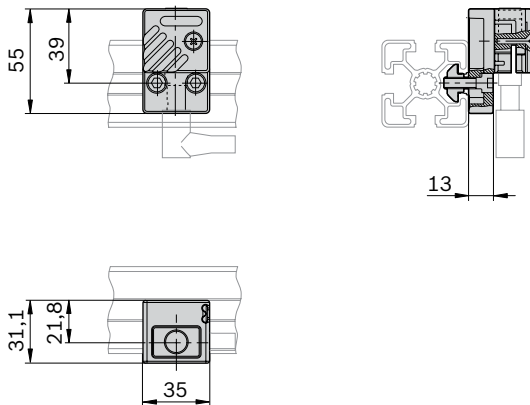


- ▶ For fastening a sensor M12
- ▶ Especially sturdy metal design
- ▶ Able to bear loads of up to 100 kg
- ▶ Centering lugs for pre-positioning and quick assembly in the profile groove
- ▶ Integrated stop for 12 mm sensor

Required accessories:

Sensor M12x50 (p. 18-9)

### SH 2/U-H

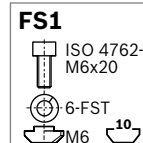


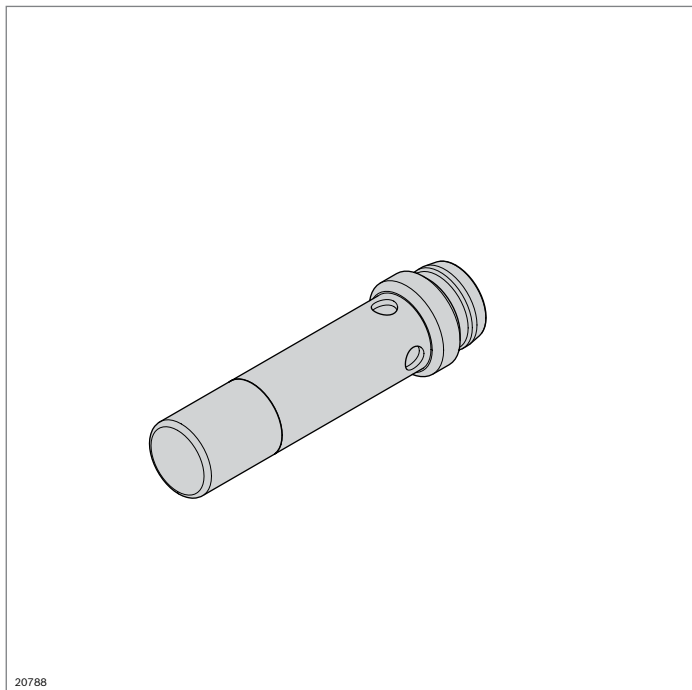
00125240

Switch bracket	No.	FS
SH 2/U-H	3 842 537 289	2xFS1

Material: SH 2/U-H: Die-cast aluminum  
Fastening material: steel; galvanized

Scope of delivery: incl. fastening material (FS)





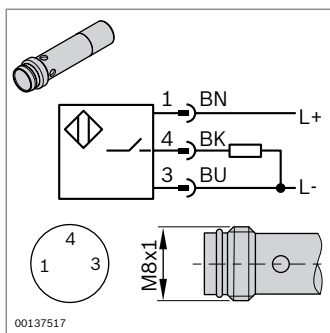
20788

### Sensor Ø6.5 x 30 mm, inductive

- ▶ For installation in switch bracket SH 1/...
- ▶ Version:
  - PNP contact
  - Optical LED function display
  - Compact length of 30 mm; Ø6.5 mm
  - M8 plug connection
  - Switch distance  $S_N = 4$  mm
  - Operating voltage 0...30 V
  - Switching frequency 1500 Hz
  - Operating current 200 mA
  - Protection class IP 67
  - Ambient temperature: -20 to 70 °C

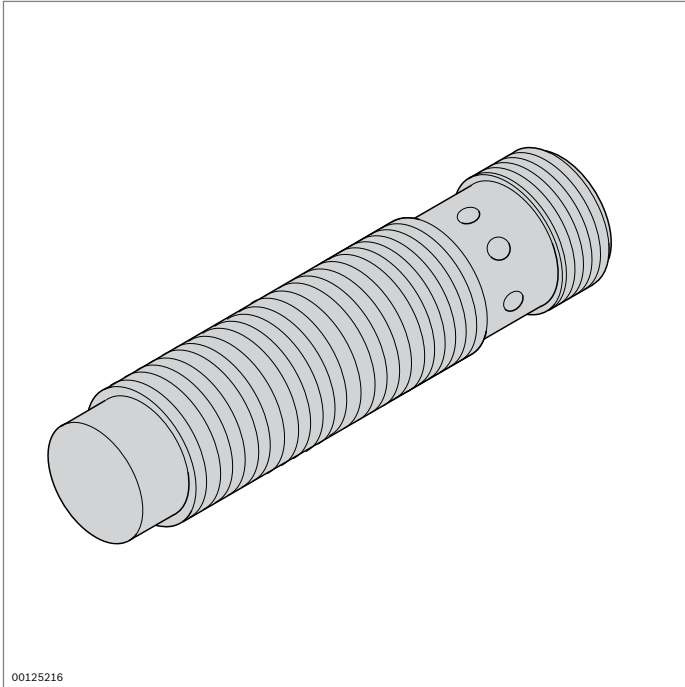
Required accessories:

SH 1/... switch bracket (p. 18-2f)



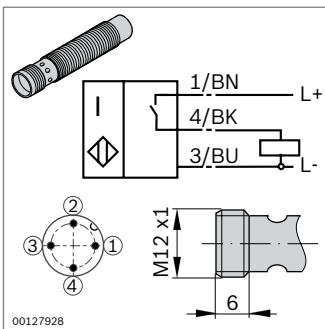
00137517

Sensor	No.
Ø6.5 x 30 mm	3 842 542 500
Material:	brass, nickel-plated



### Sensor M12x50, inductive

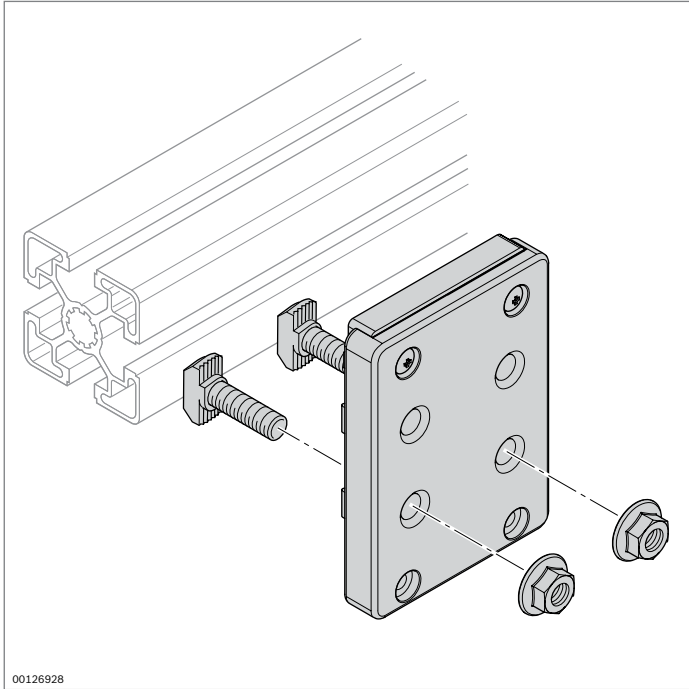
- ▶ For installation in switch bracket SH2/...
- ▶ Version:
  - PNP contact according to IEC/EN 60947-5-2-2004
  - Connection via V1 plug (M12)
  - Resistant to media such as test oil and test fuel
  - Optical LED function display
  - Gold-plated contacts
  - Compact length of 50 mm
  - Metal thread M12x1
  - Switch distance  $S_N = 7$  mm
  - Operating voltage: 0...30 V
  - Switching frequency: 300 Hz
  - Operating current: 150 mA
  - No-load current: max. 15 mA
  - Protection class: IP 67
  - Ambient temperature: -25 to 70 °C



Required accessories:

SH 2/... switch bracket (p. 18-4ff)

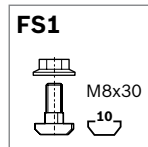
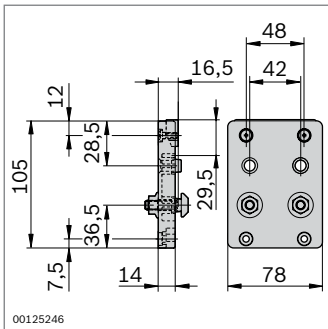
Sensor	No.
<b>M12 x 50 mm</b>	<b>3 842 537 995</b>
Material:	brass, nickel-plated




### Stop



- ▶ Can be mounted on profiles with 10 mm slot
- ▶ Centering aid can be broken off for flexible installation



Stop	ESD No.	FS
	 3 842 519 717	2xFS1
Material:	Stop: PA6	
	Fastening material: steel; galvanized	
Scope of delivery:	incl. fastening material (FS)	

# Technical data

**Technical data for strut profiles**

EN AW – Al MgSi		Material designation according to DIN EN 573 for Rexroth strut profiles
EN AW – 6060		Material number according to DIN EN 573
$R_m$	= 245 N/mm <sup>2</sup>	Minimum tensile strength (in direction of pressure)
$R_{p0,2}$	= 195 N/mm <sup>2</sup>	0.2% proof stress (in direction of pressure)
$A_5$	= 10%	Ductile yield $A_5$ or $A_{10}$
$A_{10}$	= 8 %	
E	= 70000 N/mm <sup>2</sup>	Modulus of elasticity E
75 HB		Brinell hardness
$\alpha_{(-50...+20\text{ °C})}$	= 21.8 x 10 <sup>-6</sup> 1/K	Longitudinal expansion coefficient
$\alpha_{(+20...100\text{ °C})}$	= 23.4 x 10 <sup>-6</sup> 1/K	



$\mu$  = 0.34 Poisson's ratio

E6/EV1 - 12  $\mu\text{m}$  - 300 HV Anodizing process – layer thickness – layer hardness

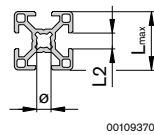
$L_{\text{max}}$	11-20	22.5-30	40	45-60	Permitted dimensional tolerance t (mm) for profiles from different deliveries
t	±0.15	±0.2	+0.6	±0.3	

$L_{\text{max}}$	80	90	120	160
t	+0.8	±0.4	+1.0	+1.6

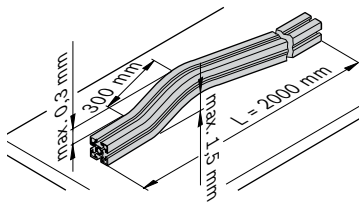
$L_{\text{max}}$	180	270	360
t	±0.6	±1.0	±1.5

L2	6	8	10
t	+0.3	+0.3	+0.4

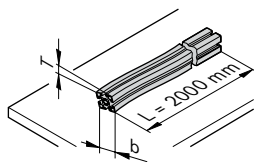
$\emptyset$	5.5	7.3	10	15
t	-0.1 +0.2	-0.1 +0.2	±0.15	±0.15



Deviation limits and form tolerances according to DIN EN 12020-2  
Rexroth profiles generally fall well within the generally applicable tolerances specified in the standard. They are specifically defined for the individual products.



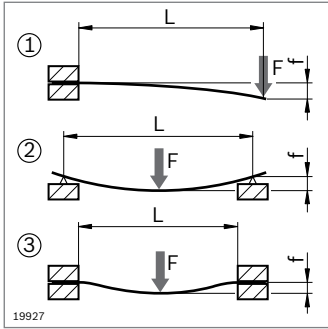
Longitudinal straightness tolerance of profile



Longitudinal torsional tolerance of profile

b (mm)	T (mm)
≤ 100	1.2
100 ... 150	1.5
150 ... 200	1.8
200 ... 350	2.5

## Profile deflection



$$f_{①} = \frac{F \times L^3}{3 E \times I \times 10^4}$$

Profile deflection due to force F for static load cases ①②③

$$f_{②} = \frac{F \times L^3}{48 E \times I \times 10^4}$$

$$f_{③} = \frac{F \times L^3}{192 E \times I \times 10^4}$$

$$f_{①} = \frac{m' \times g \times L^4}{8 E \times I \times 10^4}$$

Profile deflection due to the profile's own weight

$$f_{②} = \frac{5 \times m' \times g \times L^4}{384 E \times I \times 10^4}$$

$$f_{③} = \frac{m' \times g \times L^4}{384 E \times I \times 10^4}$$

$$\sigma_{①} = \frac{(m' \times g \times L + F) \times L}{W \times 10^3}$$

Control of max. occurring bending stress  $\sigma_{b \max}$

$$\sigma_{②} = \frac{(m' \times g \times L + F) \times L}{4 W \times 10^3}$$

$$\sigma_{③} = \frac{(m' \times g \times L + F) \times L}{8 W \times 10^3}$$

$$\sigma_{b \max} < \sigma_{b \text{perm}}!$$

$S_{F \text{req}}$ : Safety value required to avoid deformation (flow)

$$\sigma_{b \text{perm}} = \frac{R_{p0,2}}{S_{F \text{erf}}}$$

$\sigma_{b \text{perm}}$ : Max. permissible bending stress

f (mm)

W (cm<sup>3</sup>)

F (N)

E = 70000 N/mm<sup>2</sup>

L (mm)

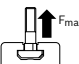

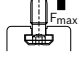
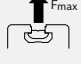
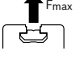

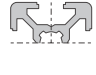

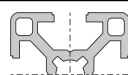

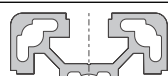
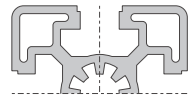

m' (kg/mm); m' = m/1000; m (p. 2-4 ... 2-7)

I (cm<sup>4</sup>)

g = 9.81 m/s<sup>2</sup> ≈ 10 m/s<sup>2</sup>

## Profile slot load-bearing capacity

Static load limit values of slot (beginning of plastic deformation) **for connectors with the largest thread in each case**


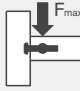
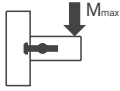
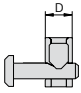
							
			T-bolt	T-nut	Central bolt	Sliding block, swivel-in	Sliding block
		20x20, 20x20R 10x40 20x40, 20x60 20x40x40	1700 N	1700 N	2000 N	–	3000 N
		30x30, 30x30R 30x30°, 30x45°, 30x60° 11x20, 15x120 30x45, 30x60, 30x60x60 30x90, 30x120	4000 N	4000 N	5000 N	2200 N	6000 N
		90x90SL 40x40L, 40x40L R 40x30°, 40x45°, 40x60° 40x80L, 40x120L, 40x160L 40x80x80L 80x80L 80x120L, 80x160L 45x45L, 45x45L R 45x30°, 45x45°, 45x60° 15x22,5 , 15x180, 22,5x45 45x90L, 45x90x90L 50x50L, 50x50L R 50x100L , 50x150L 100x100L , 100x200L 60x60L	6000 N 7000 N	6000 N 7000 N	9000 N 10000 N	8000 N 9000 N	11000 N 12000 N
		45x45 60x60 90x90L 22,5x180 45x60 45x90 , 45x180 90x180L	12000 N	12000 N	15000 N	13000 N	17000 N
		45x270 60x90 90x90 90x180 90x360	18000 N	18000 N	22000 N	18000 N	24000 N

## Load-bearing capacity of profile connection


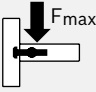
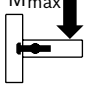

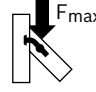

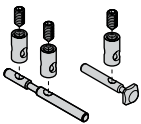
The stated tightening and loading limit values were determined as an example in (dry) trials. You must take account of legal safety factors and building regulations as

well as those corresponding to accepted engineering practices!

### Static load limit values of the connection (beginning of plastic deformation)


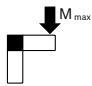
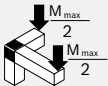
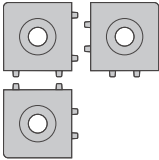
		D	Groove					
		8	6 / 6	↻ 2.5 Nm	450 N	18 Nm		
		11	8 / 8	↻ 12 Nm	500 N	40 Nm		
		11	8 / 10	↻ 12 Nm	2000 N	70 Nm		
		17	10 / 10	↻ 25 Nm	4000 N	140 Nm		
	Quick connector (p. 3-53)	9.8	10 / 10	↻ 6 Nm	800 N	50 Nm		

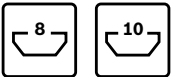
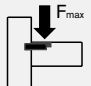
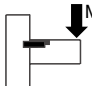
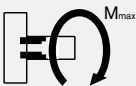

		Groove						
	30x30	8	↻ 12 Nm	1100 N	35 Nm	24 Nm	650 N	40 Nm
	40x40L	10	↻ 25 Nm	1500 N	110 Nm	100 Nm	1000 N	80 Nm
	45x45L	10	↻ 25 Nm	1500 N	120 Nm	110 Nm	1000 N	95 Nm
	45x45	10	↻ 25 Nm	1500 N	140 Nm	145 Nm	1100 N	180 Nm
	50x50L	10	↻ 25 Nm	1500 N	150 Nm	160 Nm	1100 N	180 Nm
Quick connector, bendable (p. 3-56)								

		Groove				
	ø11, L=30	8	↻ 6 Nm	2500 N	60 Nm	20 Nm
	ø17, L=40	10	↻ 25 Nm	4000 N	180 Nm	40 Nm
	ø17, L=45	10	↻ 25 Nm	4000 N	180 Nm	60 Nm
	ø17, L=50	10	↻ 25 Nm	4000 N	200 Nm	65 Nm
	ø17, L=60	10	↻ 25 Nm	4000 N	200 Nm	80 Nm
	ø17, L=80	10	↻ 25 Nm	5000 N	800 Nm	170 Nm
	ø17, L=90	10	↻ 25 Nm	5000 N	800 Nm	200 Nm
	ø17, L=100	10	↻ 25 Nm	5000 N	1000 Nm	480 Nm
Bolt connector (p. 3-59)	ø28, L=22.5	10	↻ 25 Nm	2000 N	-	-

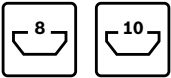
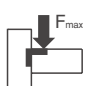
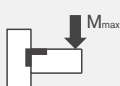

		Groove				
	S6	6	↻ 10 Nm	500 N	8 Nm	
	S8	8	↻ 25 Nm	800 N	43 Nm	
	S12	10	↻ 35 Nm	1300 N	80 Nm	
	Central bolt (p. 3-40)	M12	10	↻ 35 Nm	3000 N	80 Nm

		Groove					
	20/2	6	↻	10 Nm	18 Nm		
	20/3	6	↻	10 Nm		23 Nm	
	30/2	8	↻	25 Nm	80 Nm		
	30/3	8	↻	25 Nm		85 Nm	
	40/2	10	↻	35 Nm	60 Nm		
	40/3	10	↻	35 Nm		70 Nm	
	45/2	10	↻	35 Nm	45x45L	150 Nm	
					45x45	200 Nm	
	45/3	10	↻	35 Nm	45x45L		170 Nm
					45x45		240 Nm
50/2	10	↻	35 Nm	120 Nm			
50/3	10	↻	35 Nm		140 Nm		


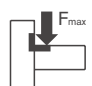
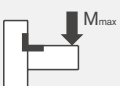

Cubic connector (p. 3-42)

		Profile	Groove					
	SV8	30x...	8	↻	6 Nm	1000 N	35 Nm	15 Nm
	SV 10L	45x... L	10	↻	15 Nm	3500 N	110 Nm	30 Nm
	SV 10	40x..., 45x...	10	↻	15 Nm	3500 N	110 Nm	30 Nm
		60x...	10	↻	15 Nm	3500 N	195 Nm	60 Nm


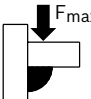
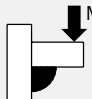
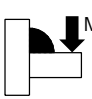
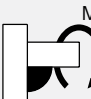
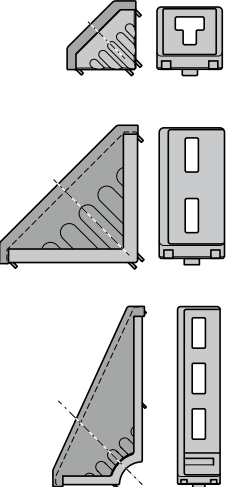









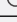






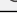

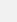
Tensioning connector (p. 3-12)

		Groove				
		8 / 8	↻	12 Nm	2200 N	50 Nm
		10 / 10	↻	15 Nm	2800 N	100 Nm


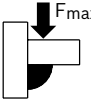
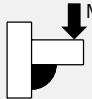
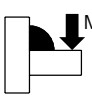
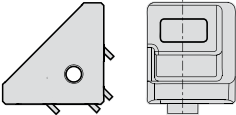




Inner bracket (p. 3-13)

		Groove				
		6 / 6	↻	3 Nm	600 N	10 Nm
		8 / 8	↻	12 Nm	2500 N	50 Nm
		10 / 10	↻	15 Nm	3000 N	100 Nm

Inner bracket R (p. 3-14)

		Groove		 $F_{max}$	 $M_{max}$	 $M_{max}$	 $M_{max}$
	20/20	6	 3 Nm	700 N	6 Nm	25 Nm	–
	20/40	6	 3 Nm	1400 N	15 Nm	50 Nm	8 Nm
	30/30	8	 10 Nm	1250 N	25 Nm	75 Nm	–
	30/60	8	 10 Nm	2500 N	100 Nm	170 Nm	25 Nm
	30/120	8	 10 Nm	3750 N	100 Nm		47 Nm
	60/60-8	8	 10 Nm	5000 N	320 Nm	370 Nm	110 Nm
	60/60-10	10	 25 Nm	3000 N	125 Nm	150 Nm	–
	40/40	10	 25 Nm	3000 N	55 Nm	145 Nm	35 Nm
	40/80	10	 25 Nm	6000 N	180 Nm	400 Nm	60 Nm
	40/160	10	 25 Nm	9000 N	250 Nm		60 Nm
	80/80	10	 25 Nm	14000 N	500 Nm	1000 Nm	400 Nm
	45/45	10	 25 Nm	3000 N	60 Nm	160 Nm	–
	45/90	10	 25 Nm	6000 N	180 Nm	400 Nm	60 Nm
	45/180	10	 25 Nm	9000 N	250 Nm		65 Nm
	90/90	10	 25 Nm	12000 N	370 Nm	800 Nm	200 Nm
	43x42	10	 25 Nm	2000 N	–	160 Nm	–
	50/50	10	 25 Nm	4000 N	125 Nm	250 Nm	38 Nm
	50/100	10	 25 Nm	7500 N	300 Nm	600 Nm	73 Nm
100/100	10	 25 Nm	15000 N	550 Nm	1100 Nm	480 Nm	

Bracket (p. 3-17)

		Groove		 $F_{max}$	 $M_{max}$	 $M_{max}$
	S 20x20	6	 2.5 Nm	700 N	3.6 Nm	25 Nm
	S 30x30	8	 8.5 Nm	1250 N	16 Nm	75 Nm
	S 40x40	10	 25 Nm	3000 N	36 Nm	160 Nm
	S 45x45	10	 25 Nm	3000 N	36 Nm	160 Nm

Bracket S (p. 7-8)

		Groove				
	30x30	8	↻ 25 Nm (M8) / 5 Nm (M5)	4000 N	80 Nm	
	40x40	10	↻ 35 Nm (S12) / 10 Nm (M6)	9000 N	150 Nm	
	45x45	10	↻ 35 Nm (S12) / 10 Nm (M6)	9000 N	200 Nm	
	50x50	10	↻ 35 Nm (S12) / 10 Nm (M6)	10000 N	170 Nm	
T-connector (p. 3-50)						

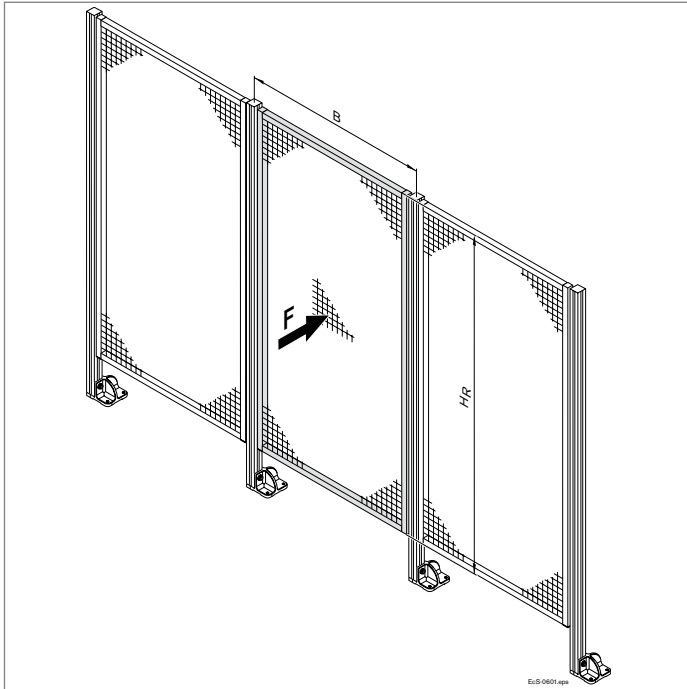
	30x30	8	↻ 25 Nm (M8) / 5 Nm (M5)		81 Nm
	40x40	10	↻ 35 Nm (S12) / 10 Nm (M6)		170 Nm
	45x45	10	↻ 35 Nm (S12) / 10 Nm (M6)		200 Nm
	50x50	10	↻ 35 Nm (S12) / 10 Nm (M6)		180 Nm
End connector (p. 3-48)					

**Profile connection load-bearing capacity with radial compensation (p. 2-85)**

		Groove						
	30x30		S8	8	↻ 25 Nm	600 N	37 Nm	28 Nm
				8 / 8	↻ 12 Nm	600 N	37 Nm	28 Nm
	40x40		M12 S12	10	↻ 30 Nm	1000 N	47 Nm	55 Nm
				10 / 10	↻ 22 Nm	1000 N	47 Nm	55 Nm
	45x45		S12 M12	10	↻ 35 Nm	1200 N	53 Nm	59 Nm
				10 / 10	↻ 25 Nm	1200 N	53 Nm	59 Nm



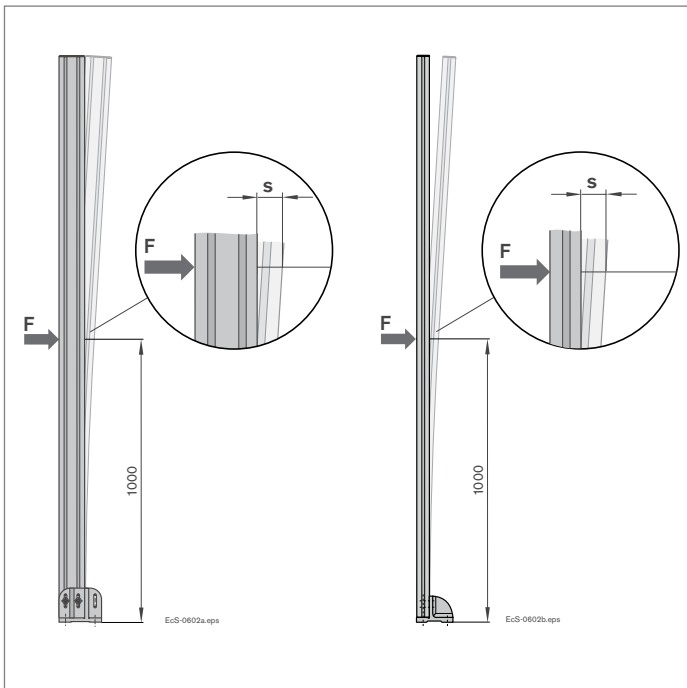
## Load-bearing capacity data for EcoSafe protective frames and EcoSafe supports



EcoSafe protective frames withstand high loadings. The permissible forces which act on the protective grille have been determined in series of tests.

Test structure: In the case of a protective fence consisting of 3 frames, the woven wire grille in the middle frame is exposed to a maximum load force acting on its center.

Protective frame	HR (mm)	B (mm)	F (N)	No.
	1800	750	1650	<b>3 842 554 283</b>
	1800	1000	1100	<b>3 842 554 284</b>
	1800	1500	800	<b>3 842 554 285</b>



The force required to deflect the EcoSafe system supports has been determined in series of tests.

Test structure: A force acts on an installed system support at a height of 1 m (spring balance).

F (N)		100	150	300	450	600
s (mm)	45x45	4	6	13	21	31
	45x90	2	3	6	12	18



## Material number overview

0 842 901 309	2-37, 12-2	3 842 506 958	2-71	3 842 517 179	2-46	3 842 523 098	5-3
1 845 719 000	2-43	3 842 506 959	2-72	3 842 517 180	2-47	3 842 523 102	5-6
3 842 071 941	12-39	3 842 508 087	5-5	3 842 517 183	2-47	3 842 523 135	3-4
3 842 111 987	3-10	3 842 508 088	5-5	3 842 517 198	2-53	3 842 523 140	3-7
3 842 111 988	3-10	3 842 508 102	2-14	3 842 517 200	2-73	3 842 523 142	3-7
3 842 111 989	3-10	3 842 508 104	2-15	3 842 517 543	3-43	3 842 523 145	3-9
3 842 146 813	3-32	3 842 508 967	12-39	3 842 518 204	2-39	3 842 523 165	10-12
3 842 146 815	3-33	3 842 509 177	8-30	3 842 518 205	2-39	3 842 523 166	10-12
3 842 146 848	3-33	3 842 509 178	2-51	3 842 518 343	7-2	3 842 523 170	10-13
3 842 146 877	13-7, 13-8,	3 842 509 183	2-88	3 842 518 347	7-2	3 842 523 205	12-14
	13-17, 13-18,	3 842 509 184	2-75	3 842 518 351	7-2	3 842 523 206	12-14
	13-31, 13-32	3 842 509 185	2-88	3 842 518 367	2-40	3 842 523 207	12-15
3 842 146 902	8-31	3 842 509 189	2-81	3 842 518 368	2-40	3 842 523 209	12-14
3 842 146 905	8-30	3 842 510 078	3-7	3 842 518 369	2-40	3 842 523 210	12-14
3 842 146 906	7-2	3 842 510 145	5-5	3 842 518 375	2-40	3 842 523 211	12-15
3 842 146 920	11-10	3 842 510 165	9-5	3 842 518 376	2-40	3 842 523 212	12-7, 12-13
3 842 146 972	3-62	3 842 510 462	9-5, 12-5	3 842 518 377	2-40	3 842 523 213	12-13
3 842 168 820	18-6	3 842 510 464	9-5	3 842 518 424	3-30	3 842 523 243	8-11
3 842 168 830	18-4	3 842 511 352	6-6	3 842 518 426	3-52	3 842 523 254	2-40
3 842 168 850	18-4	3 842 511 704	2-56	3 842 518 427	3-38	3 842 523 256	2-40
3 842 184 738	2-36, 7-6	3 842 511 841	13-18	3 842 518 492	8-26	3 842 523 258	2-40
3 842 191 175	3-49	3 842 511 872	2-87	3 842 518 650	14-7	3 842 523 308	10-19
3 842 191 182	2-40	3 842 511 893	6-5	3 842 518 738	8-23	3 842 523 320	8-12
3 842 191 194	8-31	3 842 513 517	12-16	3 842 518 743	6-4	3 842 523 438	3-7
3 842 218 940	12-17	3 842 513 576	2-83	3 842 518 797	9-3	3 842 523 493	7-3
3 842 218 941	12-17	3 842 513 581	2-56	3 842 518 798	9-3	3 842 523 494	7-3
3 842 218 942	12-17	3 842 513 646	13-10	3 842 518 896	13-13	3 842 523 508	3-18
3 842 218 953	12-2	3 842 513 648	13-36, 13-43	3 842 518 897	13-25	3 842 523 511	3-18
3 842 259 790	6-24	3 842 514 524	14-10	3 842 518 898	13-39	3 842 523 516	3-18
3 842 259 791	6-24	3 842 514 567	6-10	3 842 519 318	3-46	3 842 523 517	3-18
3 842 259 792	6-25	3 842 514 568	6-5	3 842 519 319	3-46	3 842 523 520	3-18
3 842 259 793	6-25	3 842 514 928	3-7	3 842 519 321	3-47	3 842 523 525	3-19
3 842 259 794	6-25	3 842 514 929	3-7	3 842 519 465	17-2	3 842 523 528	3-19
3 842 305 766	7-12	3 842 514 930	3-7	3 842 519 565	7-4	3 842 523 530	3-19
3 842 305 767	7-12	3 842 514 931	3-7, 12-7	3 842 519 567	7-4	3 842 523 532	3-19
3 842 305 768	7-12	3 842 515 229	2-13	3 842 519 658	2-47	3 842 523 537	3-19, 3-20, 3-21
3 842 311 950	6-5	3 842 515 244	7-13	3 842 519 717	18-10	3 842 523 538	3-20
3 842 311 951	6-5	3 842 515 366	6-19	3 842 520 000	12-22	3 842 523 541	3-20
3 842 311 956	6-5	3 842 515 367	6-19	3 842 520 025	2-79	3 842 523 546	3-21
3 842 319 500	12-22	3 842 515 457	6-16	3 842 520 802	3-51	3 842 523 549	3-21
3 842 319 501	12-22	3 842 515 459	6-16	3 842 520 922	2-18	3 842 523 551	3-21
3 842 345 081	3-6, 10-7	3 842 515 473	3-29	3 842 521 216	3-38	3 842 523 553	3-21
3 842 348 526	3-25	3 842 515 531	10-22	3 842 521 262	4-8	3 842 523 558	3-23
3 842 352 009	3-25	3 842 515 547	3-29	3 842 521 263	4-8	3 842 523 561	3-23
3 842 352 061	6-5	3 842 515 863	10-22	3 842 521 510	2-21	3 842 523 567	3-24
3 842 352 085	5-4	3 842 516 015	2-82	3 842 521 580	3-29, 12-5	3 842 523 570	3-24
3 842 500 287	9-5	3 842 516 165	9-6	3 842 521 817	6-5	3 842 523 575	3-25
3 842 501 576	12-18	3 842 516 175	6-10	3 842 522 012	17-3	3 842 523 578	3-25
3 842 501 578	12-18	3 842 516 598	8-26	3 842 522 087	17-2	3 842 523 583	3-24
3 842 501 587	3-19	3 842 516 669	3-9	3 842 522 124	4-11	3 842 523 587	3-20
3 842 501 751	3-4	3 842 516 685	3-9	3 842 522 301	6-5	3 842 523 593	3-23
3 842 501 752	3-4	3 842 516 694	8-28	3 842 522 303	6-5	3 842 523 598	2-21, 12-4
3 842 501 753	3-4	3 842 516 715	8-10	3 842 522 345	10-9	3 842 523 872	3-43
3 842 502 137	3-19	3 842 516 729	14-5	3 842 522 462	10-9	3 842 523 873	3-43
3 842 502 257	6-4	3 842 516 731	14-5	3 842 522 463	10-9	3 842 523 874	3-45
3 842 502 683	4-3	3 842 516 837	7-11	3 842 522 464	10-9	3 842 523 875	3-42
3 842 502 687	4-6	3 842 516 838	7-11	3 842 522 465	10-9	3 842 523 876	3-43
3 842 502 688	4-6	3 842 516 845	4-11	3 842 522 475	10-20	3 842 523 877	3-44
3 842 503 073	2-40	3 842 516 846	4-11, 12-7,	3 842 522 476	10-20	3 842 523 918	12-43
3 842 503 242	5-6		12-8, 12-9,	3 842 522 477	10-20	3 842 523 920	3-6
3 842 504 760	3-30		12-10	3 842 522 479	8-12	3 842 523 921	3-6
3 842 504 790	6-7, 2	3 842 516 847	4-4, 4-11	3 842 522 481	10-10	3 842 523 922	3-6
3 842 505 144	4-6	3 842 516 848	4-11	3 842 522 633	4-7	3 842 523 925	3-6
3 842 506 948	2-51	3 842 516 849	4-12	3 842 522 634	4-7	3 842 524 012	3-5
3 842 506 949	2-52	3 842 516 850	4-12	3 842 523 014	11-2	3 842 524 025	7-5
3 842 506 950	2-51	3 842 516 851	4-12	3 842 523 092	5-4	3 842 524 026	7-5
3 842 506 951	2-52	3 842 516 905	17-3	3 842 523 093	5-6	3 842 524 027	7-5
3 842 506 956	2-71	3 842 516 908	17-3	3 842 523 094	5-6	3 842 524 028	7-5
3 842 506 957	2-71	3 842 517 132	3-42, 3-43	3 842 523 097	5-3	3 842 524 031	2-52

20-2 MGE 13.2 | Material number overview

3 842 524 034	2-53	3 842 526 672	2-19	3 842 529 349	2-69	3 842 532 696	2-24, 12-36
3 842 524 037	2-53	3 842 526 673	2-19	3 842 529 351	2-85	3 842 532 697	2-23, 12-35
3 842 524 040	2-72	3 842 526 786	10-17	3 842 529 355	2-86	3 842 532 752	12-21
3 842 524 043	2-72	3 842 526 787	10-17	3 842 529 357	2-87	3 842 532 862	12-21
3 842 524 046	2-73	3 842 526 817	2-49	3 842 529 359	2-63	3 842 532 865	12-21
3 842 524 049	2-54	3 842 526 863	13-24, 13-28	3 842 529 361	2-60	3 842 532 866	12-21
3 842 524 058	2-12	3 842 526 865	13-24, 13-28	3 842 529 363	2-61	3 842 532 867	12-21
3 842 524 061	2-12	3 842 526 867	13-38, 13-42	3 842 529 365	2-61	3 842 532 870	12-21
3 842 524 064	2-12	3 842 526 869	13-38, 13-42	3 842 529 367	2-61	3 842 532 871	12-25
3 842 524 067	2-12	3 842 526 878	13-32	3 842 529 371	2-62	3 842 532 878	2-26
3 842 524 069	7-10	3 842 526 893	13-47	3 842 529 373	2-62	3 842 532 879	2-26
3 842 524 072	7-10	3 842 526 894	13-47	3 842 529 375	2-62	3 842 532 880	12-21
3 842 524 153	2-21, 12-5	3 842 526 895	13-47	3 842 529 381	2-63, 2	3 842 532 881	12-21
3 842 524 163	10-14	3 842 527 174	3-40	3 842 529 383	3-21	3 842 532 883	12-21
3 842 524 164	10-14	3 842 527 186	6-5	3 842 529 386	3-22	3 842 532 884	12-21
3 842 524 165	10-15	3 842 527 553	6-11, 10-7	3 842 529 404	3-47	3 842 532 886	12-20
3 842 524 166	10-15	3 842 527 738	16-6	3 842 529 416	6-6	3 842 532 887	12-20
3 842 524 469	6-11	3 842 527 851	16-6	3 842 529 417	6-6	3 842 533 305	6-15
3 842 524 476	3-50	3 842 528 009	16-9	3 842 529 761	7-5	3 842 533 306	6-15
3 842 524 490	12-5	3 842 528 189	6-13	3 842 529 762	7-5	3 842 533 307	6-14
3 842 524 499	6-19	3 842 528 191	6-13	3 842 529 850	16-4	3 842 533 308	6-14
3 842 524 500	6-19	3 842 528 539	4-11	3 842 529 881	3-39	3 842 533 309	6-14
3 842 524 622	8-26	3 842 528 540	4-11	3 842 529 931	12-41	3 842 533 310	6-5
3 842 524 623	8-26	3 842 528 574	14-3	3 842 529 933	12-42	3 842 533 841	12-46, 16-4
3 842 524 986	9-8	3 842 528 577	14-3	3 842 530 231	3-23	3 842 533 901	6-15
3 842 525 014	10-21	3 842 528 586	14-6	3 842 530 235	3-40	3 842 535 115	2-22, 12-20
3 842 525 443	12-28	3 842 528 588	14-6	3 842 530 236	3-40, 3-44,	3 842 535 121	12-23
3 842 525 480	8-23	3 842 528 590	14-6		3-45, 10-7	3 842 535 122	12-23
3 842 525 481	8-23	3 842 528 593	3-40	3 842 530 241	9-7	3 842 535 124	12-22
3 842 525 505	2-73	3 842 528 715	3-6	3 842 530 259	3-26	3 842 535 136	2-42
3 842 525 737	12-29	3 842 528 718	3-6	3 842 530 260	3-26	3 842 535 176	2-56
3 842 525 738	12-29	3 842 528 721	3-6, 10-7	3 842 530 281	3-4	3 842 535 364	12-24
3 842 525 739	12-29	3 842 528 724	3-6	3 842 530 283	3-4	3 842 535 428	3-52
3 842 525 740	12-29	3 842 528 727	3-6	3 842 530 285	3-4, 13-7	3 842 535 458	3-54
3 842 525 741	12-29	3 842 528 730	3-6	3 842 530 287	3-4, 13-17, 13-31	3 842 535 459	3-54
3 842 525 742	12-29	3 842 528 735	3-7, 12-8,	3 842 530 303	8-27, 12-3	3 842 535 464	3-54
3 842 525 766	8-23		12-9, 12-10	3 842 530 306	2-43	3 842 535 465	3-55
3 842 525 767	8-23	3 842 528 738	3-7	3 842 530 316	3-8	3 842 535 466	3-55
3 842 525 780	10-17	3 842 528 741	3-7	3 842 530 321	3-8	3 842 535 571	3-15
3 842 525 781	10-16	3 842 528 744	3-7	3 842 530 325	3-41	3 842 535 572	3-13
3 842 525 782	10-16	3 842 528 746	3-39	3 842 530 326	3-41	3 842 535 573	3-14
3 842 525 821	8-11	3 842 528 967	3-21	3 842 530 329	12-8, 12-9,	3 842 535 574	3-13
3 842 525 822	8-11	3 842 529 005	3-22		12-10, 12-13	3 842 535 575	3-14
3 842 525 823	8-11	3 842 529 006	3-22	3 842 530 352	8-14	3 842 535 576	3-15
3 842 525 833	10-18	3 842 529 010	3-44	3 842 530 353	8-14	3 842 535 577	3-15
3 842 525 946	8-13	3 842 529 011	3-44	3 842 530 360	3-23	3 842 535 578	3-13
3 842 525 947	8-13	3 842 529 012	3-45	3 842 530 361	3-27	3 842 535 617	3-61
3 842 526 003	3-48	3 842 529 013	3-45	3 842 530 381	3-26, 2	3 842 535 619	3-61
3 842 526 034	12-28	3 842 529 020	3-29	3 842 530 382	3-26	3 842 535 625	3-16
3 842 526 410	13-7, 13-9	3 842 529 024	6-5	3 842 530 400	14-4	3 842 535 626	3-16
3 842 526 411	13-7, 13-10	3 842 529 025	6-4	3 842 530 417	12-43	3 842 535 627	3-16
3 842 526 412	13-17, 13-21	3 842 529 294	3-9	3 842 530 460	3-27	3 842 535 629	3-57
3 842 526 413	13-17, 13-21	3 842 529 295	3-9	3 842 530 864	12-43	3 842 535 630	3-56
3 842 526 414	13-31, 13-35	3 842 529 296	3-9	3 842 532 195	3-50	3 842 535 634	3-56
3 842 526 415	13-31, 13-35	3 842 529 297	3-9	3 842 532 196	3-48	3 842 535 635	3-57
3 842 526 416	13-12, 13-14	3 842 529 298	3-9	3 842 532 198	3-51	3 842 535 637	2-14
3 842 526 417	13-12, 13-15	3 842 529 299	3-9	3 842 532 199	3-49	3 842 535 645	13-7, 13-9
3 842 526 422	13-22, 13-29	3 842 529 300	3-9	3 842 532 205	3-52	3 842 535 662	13-7, 13-8,
3 842 526 560	3-33	3 842 529 319	3-8	3 842 532 206	4-8		13-12, 13-13
3 842 526 564	11-9	3 842 529 320	3-8	3 842 532 207	4-8	3 842 535 663	13-31, 13-33,
3 842 526 565	11-9	3 842 529 321	3-8	3 842 532 208	4-7		13-38, 13-40
3 842 526 588	8-28	3 842 529 323	3-8	3 842 532 209	4-7	3 842 535 664	13-17, 13-19,
3 842 526 589	14-7	3 842 529 324	3-8	3 842 532 274	3-29		13-24, 13-26
3 842 526 591	8-28	3 842 529 325	3-8	3 842 532 363	11-2	3 842 535 665	13-33, 13-40
3 842 526 626	2-20	3 842 529 327	3-8	3 842 532 505	2-24, 12-38	3 842 535 666	13-19, 13-26
3 842 526 627	2-20	3 842 529 339	2-60	3 842 532 508	12-38	3 842 535 667	12-29
3 842 526 628	2-20	3 842 529 341	2-64	3 842 532 608	2-23, 12-35	3 842 535 668	12-29
3 842 526 665	2-20	3 842 529 345	2-66	3 842 532 676	12-42	3 842 535 669	6-16
3 842 526 671	2-19	3 842 529 347	2-67	3 842 532 695	2-23, 12-35	3 842 535 670	6-16

3 842 535 676	11-2	3 842 536 696	6-3	3 842 537 821	2-57	3 842 538 607	4-5, 4-11
3 842 535 680	13-17, 13-22, 13-24, 13-29, 13-31, 13-36, 13-38, 13-43	3 842 536 701 3 842 536 722 3 842 536 724 3 842 536 729	6-21 12-26 12-27 3-31	3 842 537 823 3 842 537 824 3 842 537 825 3 842 537 826	2-79 2-66 2-85 2-86	3 842 538 656 3 842 538 657 3 842 538 658 3 842 538 673	3-48 3-48 3-49 6-3
3 842 535 681	13-12, 13-15	3 842 536 730	2-27	3 842 537 827	2-65	3 842 538 674	6-3
3 842 535 682	13-7, 13-10	3 842 536 736	6-20	3 842 537 828	2-69	3 842 538 675	6-3
3 842 535 683	12-29	3 842 536 737	6-20	3 842 537 861	3-31	3 842 538 676	6-3
3 842 535 684	8-4	3 842 536 738	6-20	3 842 537 862	3-31	3 842 538 677	6-3
3 842 535 719	5-4	3 842 536 746	6-9	3 842 537 888	12-42	3 842 538 678	6-3
3 842 535 721	5-3	3 842 536 787	3-38	3 842 537 889	12-42	3 842 538 679	6-3
3 842 535 835	2-26	3 842 536 792	12-42	3 842 537 890	12-42	3 842 538 680	6-3
3 842 535 921	11-2	3 842 536 811	6-2	3 842 537 894	12-31	3 842 538 683	4-3
3 842 536 002	2-26	3 842 536 812	6-2	3 842 537 895	12-31	3 842 538 684	4-4
3 842 536 054	12-32	3 842 537 013	3-53	3 842 537 896	12-31	3 842 538 685	4-4
3 842 536 055	12-30	3 842 537 100	2-80	3 842 537 897	12-31	3 842 538 686	4-5
3 842 536 056	12-30	3 842 537 102	2-75	3 842 537 898	12-31	3 842 538 687	4-5
3 842 536 057	12-30	3 842 537 113	2-42	3 842 537 899	12-31	3 842 538 688	4-7
3 842 536 119	3-32	3 842 537 116	2-42	3 842 537 900	12-31	3 842 538 689	4-7
3 842 536 120	3-32	3 842 537 119	2-42	3 842 537 901	12-31	3 842 538 690	4-7
3 842 536 121	3-32	3 842 537 135	2-43	3 842 537 911	12-27, 12-33	3 842 538 691	4-7
3 842 536 122	3-32	3 842 537 163	12-29	3 842 537 944	12-20	3 842 538 692	4-8
3 842 536 123	3-32	3 842 537 164	12-29	3 842 537 945	12-20	3 842 538 693	4-8
3 842 536 124	3-32	3 842 537 206	6-3	3 842 537 947	12-20	3 842 538 694	4-8
3 842 536 125	3-32	3 842 537 220	6-2	3 842 537 948	12-21	3 842 538 695	4-8
3 842 536 126	3-32	3 842 537 222	6-2	3 842 537 951	12-24	3 842 538 696	3-50
3 842 536 148	7-11, 17-4	3 842 537 223	6-2	3 842 537 958	12-21	3 842 538 697	3-50
3 842 536 207	6-9	3 842 537 224	6-2	3 842 537 959	12-21	3 842 538 698	3-51
3 842 536 268	12-43	3 842 537 225	6-2	3 842 537 960	12-21	3 842 538 700	3-52
3 842 536 270	12-43	3 842 537 226	6-2	3 842 537 961	12-21	3 842 538 701	3-52
3 842 536 295	16-7	3 842 537 227	6-2	3 842 537 962	12-21	3 842 538 702	3-52
3 842 536 320	17-3	3 842 537 228	6-2	3 842 537 963	12-21	3 842 538 703	3-29
3 842 536 470	6-5	3 842 537 229	6-2	3 842 537 964	12-21	3 842 538 704	3-29
3 842 536 472	2-54	3 842 537 230	6-2	3 842 537 965	12-21	3 842 538 705	3-29
3 842 536 475	2-46	3 842 537 231	6-2	3 842 537 995	18-9	3 842 538 706	3-30
3 842 536 478	2-46	3 842 537 232	6-2	3 842 538 064	12-22	3 842 538 829	16-3
3 842 536 481	2-68	3 842 537 280	18-5	3 842 538 065	12-22	3 842 538 832	6-3
3 842 536 489	7-8	3 842 537 289	18-7	3 842 538 093	2-42	3 842 538 833	6-3
3 842 536 490	7-8	3 842 537 321	12-28	3 842 538 094	12-20	3 842 538 834	6-3
3 842 536 491	7-8	3 842 537 477	2-27	3 842 538 208	16-5	3 842 538 835	6-3
3 842 536 531	8-29	3 842 537 556	14-2	3 842 538 209	16-4	3 842 538 836	6-3
3 842 536 532	8-29	3 842 537 583	12-32	3 842 538 245	12-22	3 842 538 932	6-3
3 842 536 533	8-32	3 842 537 584	12-32	3 842 538 275	4-10	3 842 538 934	6-3
3 842 536 536	8-32	3 842 537 592	12-33	3 842 538 276	4-10	3 842 538 955	2-40
3 842 536 537	8-32	3 842 537 593	12-33	3 842 538 280	1-9	3 842 538 956	2-40
3 842 536 540	8-32	3 842 537 650	2-42	3 842 538 287	2-68	3 842 538 957	2-40
3 842 536 556	8-24	3 842 537 651	2-42	3 842 538 296	2-81	3 842 538 958	2-40
3 842 536 560	6-6	3 842 537 652	2-42	3 842 538 297	2-81	3 842 539 057	1-8
3 842 536 562	6-6	3 842 537 657	12-27	3 842 538 298	2-77	3 842 539 120	13-12, 13-14
3 842 536 564	6-6	3 842 537 660	12-23	3 842 538 299	2-76	3 842 539 339	16-11
3 842 536 566	6-6	3 842 537 661	12-23	3 842 538 330	2-65	3 842 539 340	16-4
3 842 536 581	6-8	3 842 537 664	12-33	3 842 538 334	2-68	3 842 539 344	16-12
3 842 536 599	3-4	3 842 537 665	12-33	3 842 538 372	12-26	3 842 539 345	16-5
3 842 536 600	3-4	3 842 537 679	2-16	3 842 538 388	16-3	3 842 539 412	13-8
3 842 536 601	3-4	3 842 537 687	12-26	3 842 538 389	16-4	3 842 539 414	13-13
3 842 536 602	3-4	3 842 537 718	2-26	3 842 538 489	3-12	3 842 539 415	13-18, 13-25
3 842 536 603	3-4	3 842 537 720	12-24	3 842 538 490	3-12	3 842 539 416	13-32, 13-39
3 842 536 604	3-4	3 842 537 740	12-32	3 842 538 491	3-12	3 842 539 494	16-10
3 842 536 605	3-4	3 842 537 776	12-25	3 842 538 555	6-3	3 842 539 495	16-10
3 842 536 606	3-4	3 842 537 777	12-25	3 842 538 556	6-3	3 842 539 496	16-11
3 842 536 669	3-8	3 842 537 778	12-25	3 842 538 557	6-3	3 842 539 497	16-11
3 842 536 670	7-8	3 842 537 779	12-25	3 842 538 558	6-3	3 842 539 498	16-9
3 842 536 671	7-8	3 842 537 803	12-22	3 842 538 559	6-3	3 842 539 499	16-9
3 842 536 672	7-8	3 842 537 806	12-22	3 842 538 562	3-53	3 842 539 500	16-11
3 842 536 673	3-9	3 842 537 807	12-22	3 842 538 563	3-55	3 842 539 501	16-12
3 842 536 675	3-9	3 842 537 816	2-48	3 842 538 564	3-55	3 842 539 505	16-12
3 842 536 676	3-9	3 842 537 817	2-11	3 842 538 565	3-41	3 842 539 613	16-5
3 842 536 694	6-3	3 842 537 818	2-48	3 842 538 566	3-41	3 842 539 799	4-6
3 842 536 695	6-3	3 842 537 819	2-48	3 842 538 567	3-41	3 842 539 800	4-6

20-4 MGE 13.2 | Material number overview

3 842 539 826	16-12	3 842 543 325	8-7	3 842 547 813	3-7	3 842 548 749	2-64, 2-66, 2-68
3 842 539 894	15-2	3 842 543 326	8-7	3 842 547 814	3-7	3 842 548 750	2-67, 2-69
3 842 539 895	15-3	3 842 543 327	8-7	3 842 547 815	3-7	3 842 548 751	2-67, 2-69
3 842 539 896	15-3	3 842 543 328	8-7	3 842 547 816	3-7	3 842 548 752	2-70, 2-74
3 842 539 897	15-3	3 842 543 329	8-7	3 842 547 817	3-7	3 842 548 753	2-70, 2-74,
3 842 539 898	15-3	3 842 543 330	8-7	3 842 547 821	3-9		10-7, 13-31
3 842 540 012	15-2	3 842 543 331	8-7	3 842 547 822	3-9	3 842 548 754	2-75
3 842 540 173	6-12	3 842 543 332	8-7	3 842 547 823	3-9	3 842 548 755	2-75, 13-7
3 842 540 379	1-9	3 842 543 333	8-7	3 842 547 824	3-9	3 842 548 756	2-75, 2-76,
3 842 540 900	13-57	3 842 543 334	8-7	3 842 547 825	3-8		2-78, 2-79
3 842 540 954	2-60	3 842 543 371	8-3	3 842 547 826	3-8	3 842 548 757	2-75, 2-76,
3 842 540 955	2-70	3 842 543 372	8-3	3 842 547 827	2-80		2-78, 2-79,
3 842 541 008	12-30	3 842 543 401	4-4	3 842 547 835	6-19		13-12, 13-31, 13-38
3 842 541 173	2-31	3 842 543 402	4-4	3 842 547 836	6-19	3 842 548 758	2-80, 2-82
3 842 541 175	2-32	3 842 543 403	4-5	3 842 547 837	6-19	3 842 548 759	2-80, 2-82, 13-17
3 842 541 178	2-32	3 842 543 404	4-5	3 842 547 838	6-19	3 842 548 760	2-81, 2-82, 2-83
3 842 541 181	2-32	3 842 543 408	8-25	3 842 547 839	6-19	3 842 548 761	2-81, 2-82,
3 842 541 183	2-31	3 842 543 409	8-25	3 842 547 840	6-19		2-83, 13-24,
3 842 541 185	2-31	3 842 543 410	8-25	3 842 547 868	4-9		13-31, 13-38
3 842 541 187	2-34	3 842 543 411	8-25	3 842 547 869	4-9	3 842 548 766	2-49
3 842 541 190	2-34	3 842 543 412	8-25	3 842 547 890	6-22	3 842 548 767	2-49
3 842 541 193	2-35	3 842 543 480	2-33	3 842 547 971	12-46	3 842 548 768	2-57
3 842 541 196	2-30	3 842 543 494	2-37	3 842 547 982	14-7	3 842 548 769	2-57
3 842 541 211	2-30	3 842 544 525	8-6	3 842 547 990	12-46	3 842 548 774	2-51, 2-54, 2-55
3 842 541 213	2-30	3 842 544 526	8-6	3 842 548 117	2-30	3 842 548 775	2-51, 2-54, 2-55
3 842 541 226	6-19	3 842 544 527	8-6	3 842 548 118	2-32	3 842 548 776	2-53
3 842 541 228	6-19	3 842 544 528	8-6	3 842 548 119	2-31	3 842 548 777	2-53
3 842 541 230	6-19	3 842 544 529	8-6	3 842 548 120	2-35	3 842 548 778	2-56
3 842 541 232	6-19	3 842 544 530	8-6	3 842 548 121	2-33	3 842 548 779	2-56
3 842 541 234	6-19	3 842 544 531	8-6	3 842 548 122	2-33	3 842 548 780	2-54, 2-55
3 842 541 236	6-19	3 842 544 552	8-8	3 842 548 123	2-33	3 842 548 781	2-54, 2-55
3 842 541 238	6-19	3 842 544 553	8-8	3 842 548 126	2-36	3 842 548 782	2-60
3 842 541 240	6-19	3 842 544 554	8-8	3 842 548 127	2-36	3 842 548 783	2-60
3 842 541 242	6-19	3 842 544 562	8-9	3 842 548 128	2-38	3 842 548 784	2-63
3 842 541 244	6-19	3 842 544 637	2-37	3 842 548 129	2-30	3 842 548 785	2-63
3 842 541 246	3-5	3 842 544 661	8-3	3 842 548 130	2-30	3 842 548 786	2-63
3 842 541 296	2-35	3 842 544 797	2-17, 2-35	3 842 548 131	2-37	3 842 548 787	2-63
3 842 541 393	3-9	3 842 544 832	14-8	3 842 548 132	2-38	3 842 548 788	2-64
3 842 541 409	3-5	3 842 544 833	14-9	3 842 548 700	3-42, 3-43	3 842 548 789	2-64
3 842 541 410	3-55	3 842 544 834	14-8	3 842 548 701	3-43	3 842 548 790	2-65
3 842 541 412	3-54	3 842 544 835	14-8	3 842 548 702	3-44, 3-45	3 842 548 791	2-65
3 842 541 807	2-39	3 842 544 836	14-9	3 842 548 703	3-45	3 842 548 792	2-69
3 842 541 814	2-22, 12-20	3 842 544 837	14-9	3 842 548 704	3-42, 3-43	3 842 548 793	2-69
3 842 541 937	2-55	3 842 544 875	6-12	3 842 548 705	3-43	3 842 548 794	2-78
3 842 541 939	2-55	3 842 546 519	9-4	3 842 548 706	3-44, 3-45	3 842 548 795	2-78, 13-17, 13-24
3 842 542 146	10-10	3 842 546 560	10-11	3 842 548 707	3-45	3 842 548 796	2-70, 2-74
3 842 542 328	7-9	3 842 546 564	4-2	3 842 548 708	3-46	3 842 548 797	2-70, 2-74
3 842 542 329	7-9	3 842 546 625	3-34	3 842 548 709	3-46	3 842 548 798	2-73
3 842 542 330	7-9	3 842 546 626	3-34	3 842 548 710	3-47	3 842 548 799	2-73
3 842 542 435	2-40	3 842 546 627	3-34	3 842 548 711	3-47	3 842 548 800	2-73
3 842 542 500	18-8	3 842 546 628	3-35	3 842 548 712	3-46	3 842 548 801	2-73
3 842 542 555	18-3	3 842 546 629	3-35	3 842 548 713	3-46	3 842 548 802	2-75
3 842 542 556	18-2	3 842 546 630	3-35	3 842 548 714	3-47	3 842 548 803	2-75
3 842 542 667	6-8	3 842 546 632	3-36	3 842 548 715	3-47	3 842 548 804	2-75, 2-76, 2-78
3 842 542 668	6-9	3 842 546 717	6-13	3 842 548 716	3-46	3 842 548 805	2-75, 2-76, 2-78
3 842 542 669	6-9	3 842 546 718	6-13	3 842 548 717	3-46	3 842 548 806	2-79
3 842 542 692	3-7	3 842 546 744	14-9	3 842 548 718	3-47	3 842 548 807	2-79
3 842 542 693	3-7	3 842 546 745	14-9	3 842 548 719	3-47	3 842 548 808	2-87, 2-88
3 842 542 694	3-7	3 842 547 227	16-9	3 842 548 720	3-46	3 842 548 809	2-87, 2-88
3 842 542 696	2-18	3 842 547 228	16-10	3 842 548 721	3-46	3 842 548 810	2-87, 2-88
3 842 542 698	2-18	3 842 547 461	3-37	3 842 548 722	3-47	3 842 548 811	2-87, 2-88
3 842 542 736	3-11	3 842 547 707	12-46	3 842 548 723	3-47	3 842 548 812	2-88
3 842 542 737	3-11	3 842 547 718	12-46	3 842 548 742	2-46, 2-48	3 842 548 813	2-88
3 842 543 272	2-34	3 842 547 729	12-46	3 842 548 743	2-46, 2-48	3 842 548 814	2-81, 2-82, 2-83
3 842 543 311	2-36	3 842 547 806	3-9	3 842 548 744	2-51, 2-54, 2-55	3 842 548 815	2-81, 2-82, 2-83
3 842 543 321	8-7	3 842 547 807	3-9	3 842 548 745	2-51, 2-54, 2-55	3 842 548 816	2-83
3 842 543 322	8-7	3 842 547 808	3-9	3 842 548 746	2-60, 2-66, 2-68	3 842 548 817	2-83
3 842 543 323	8-7	3 842 547 811	3-7	3 842 548 747	2-60, 2-66, 2-68	3 842 548 818	2-86
3 842 543 324	8-7	3 842 547 812	3-7	3 842 548 748	2-64, 2-66, 2-68	3 842 548 819	2-86

3 842 548 820	2-85	3 842 549 862	3-43	3 842 551 662	8-31	3 842 554 285	10-6, 10-14, 10-15
3 842 548 821	2-85	3 842 549 863	3-43	3 842 552 131	12-44	3 842 554 402	3-60
3 842 548 822	2-85	3 842 549 864	3-43	3 842 552 132	12-44	3 842 554 440	3-58
3 842 548 823	2-85	3 842 549 865	3-43	3 842 552 133	12-44	3 842 554 442	3-58
3 842 548 824	2-86, 2-87	3 842 549 866	3-44	3 842 552 134	12-44	3 842 554 444	3-58
3 842 548 825	2-86, 2-87	3 842 549 867	3-44	3 842 552 135	12-44	3 842 554 458	8-5
3 842 548 826	2-47	3 842 549 868	3-44	3 842 552 151	12-23, 12-26	3 842 554 460	8-5
3 842 548 827	2-47	3 842 549 869	3-44	3 842 552 174	12-45	3 842 554 462	8-5
3 842 548 828	2-48	3 842 549 870	3-44	3 842 552 175	12-45	3 842 554 464	8-5
3 842 548 829	2-48	3 842 549 871	3-44	3 842 552 176	12-45	3 842 554 466	8-5
3 842 548 832	7-6	3 842 549 872	3-45	3 842 552 177	12-45	3 842 554 468	8-5
3 842 548 834	7-6	3 842 549 873	3-45	3 842 552 240	11-7	3 842 554 470	8-5
3 842 548 836	7-7	3 842 549 874	3-45	3 842 552 245	11-7	3 842 554 472	8-5
3 842 548 838	7-7	3 842 549 876	3-45	3 842 552 246	11-7	3 842 554 490	2-15
3 842 548 840	7-7	3 842 549 882	2-40	3 842 552 247	11-6	3 842 554 491	2-15
3 842 548 842	3-18	3 842 549 888	2-40	3 842 552 248	11-6	3 842 554 708	2-13
3 842 548 843	3-18	3 842 551 008	2-52	3 842 552 249	11-5	3 842 554 709	2-13
3 842 548 844	3-18	3 842 551 009	2-52	3 842 552 250	11-5	3 842 554 710	2-21, 12-4
3 842 548 845	3-18	3 842 551 010	2-53	3 842 552 251	11-5	3 842 554 711	2-21, 12-4
3 842 548 846	3-19	3 842 551 011	2-53	3 842 552 252	11-5	3 842 554 909	14-8
3 842 548 847	3-19	3 842 551 012	2-53	3 842 552 253	11-5	3 842 555 134	10-9
3 842 548 848	3-20	3 842 551 013	2-53	3 842 552 254	11-5	3 842 555 584	3-60
3 842 548 849	3-20	3 842 551 014	2-62	3 842 552 255	11-5	3 842 555 586	3-60
3 842 548 850	3-20	3 842 551 015	2-62	3 842 552 256	11-5	3 842 555 588	3-60
3 842 548 851	3-20	3 842 551 016	2-62	3 842 552 257	11-7	3 842 555 590	3-60
3 842 548 852	3-21	3 842 551 017	2-62	3 842 552 258	11-7	3 842 555 592	3-60
3 842 548 853	3-21	3 842 551 018	2-62	3 842 552 259	11-7	3 842 555 594	3-60
3 842 548 854	3-21	3 842 551 019	2-62	3 842 552 260	11-7	3 842 555 596	3-60
3 842 548 855	3-21	3 842 551 020	2-72	3 842 552 263	11-8	3 842 555 598	3-60
3 842 548 856	3-22	3 842 551 021	2-72	3 842 552 265	11-8	3 842 555 610	6-23
3 842 548 857	3-22	3 842 551 022	2-72	3 842 552 266	11-8	3 842 555 616	3-28
3 842 548 858	3-22	3 842 551 023	2-72	3 842 552 267	11-4	3 842 555 649	2-65
3 842 548 859	3-22	3 842 551 024	2-73	3 842 552 268	11-4	3 842 555 650	2-64
3 842 548 860	3-23	3 842 551 025	2-73	3 842 552 270	11-4	3 842 555 651	2-67
3 842 548 861	3-23	3 842 551 026	2-41	3 842 552 273	11-4	3 842 555 652	2-77
3 842 548 862	3-23	3 842 551 028	2-41	3 842 552 275	11-4	3 842 555 653	2-39, 6-16
3 842 548 863	3-23	3 842 551 030	2-41	3 842 552 421	12-7, 12-12	3 842 555 673	14-10
3 842 548 864	3-24	3 842 551 044	2-56	3 842 552 422	12-8, 12-9,	3 842 558 323	9-6
3 842 548 865	3-24	3 842 551 045	2-56		12-10, 12-12	3 842 990 092	2-81
3 842 548 866	3-24	3 842 551 046	2-56	3 842 552 423	12-7, 12-11	3 842 990 093	2-81
3 842 548 867	3-24	3 842 551 047	2-56	3 842 552 424	12-8, 12-9,	3 842 990 094	2-81
3 842 548 868	3-25	3 842 551 050	2-88		12-10, 12-11	3 842 990 097	2-88
3 842 548 869	3-25	3 842 551 051	2-88	3 842 553 611	2-70	3 842 990 098	2-88
3 842 548 870	3-26	3 842 551 052	3-59	3 842 553 612	2-76	3 842 990 099	2-88
3 842 548 871	3-26	3 842 551 053	3-59	3 842 553 613	2-80	3 842 990 111	9-5
3 842 548 872	3-26	3 842 551 054	3-59	3 842 553 614	2-74	3 842 990 115	8-30
3 842 548 873	3-26	3 842 551 055	3-59	3 842 553 615	2-78	3 842 990 116	8-30
3 842 548 874	3-27	3 842 551 564	2-13	3 842 553 616	2-78	3 842 990 300	2-78
3 842 548 875	3-27	3 842 551 565	2-13	3 842 553 617	2-82	3 842 990 301	2-78
3 842 548 876	2-40	3 842 551 582	2-16	3 842 553 630	8-21	3 842 990 302	2-78
3 842 548 877	2-40	3 842 551 583	2-16	3 842 553 631	8-21	3 842 990 303	2-78
3 842 548 878	2-40	3 842 551 596	3-18	3 842 553 638	8-21	3 842 990 304	2-78
3 842 548 879	2-40	3 842 551 597	3-18	3 842 553 639	8-17	3 842 990 305	2-78
3 842 548 934	3-54	3 842 551 598	3-19	3 842 553 640	8-17	3 842 990 307	2-78
3 842 548 935	3-54	3 842 551 599	3-19	3 842 553 967	6-22	3 842 990 309	2-78
3 842 548 936	3-54	3 842 551 600	3-19	3 842 553 973	11-8	3 842 990 311	2-78
3 842 548 937	3-55	3 842 551 601	3-20	3 842 553 974	11-8	3 842 990 313	2-78
3 842 548 938	3-55	3 842 551 602	3-20	3 842 554 134	8-18	3 842 990 323	2-78
3 842 548 949	7-3	3 842 551 603	3-21	3 842 554 136	8-18	3 842 990 325	2-78
3 842 548 955	3-28	3 842 551 604	3-22	3 842 554 149	6-5	3 842 990 329	2-78
3 842 548 965	8-16	3 842 551 605	3-22	3 842 554 150	8-19	3 842 990 331	2-78
3 842 548 969	8-16	3 842 551 606	3-23	3 842 554 151	8-19	3 842 990 335	2-78, 13-17, 13-24
3 842 548 970	8-15	3 842 551 607	3-24	3 842 554 152	8-20	3 842 990 336	2-78
3 842 548 971	8-15	3 842 551 608	3-24	3 842 554 157	2-16	3 842 990 339	2-78, 13-17
3 842 548 997	11-6	3 842 551 609	3-21	3 842 554 280	10-7, 10-15	3 842 990 342	2-78
3 842 549 858	3-42	3 842 551 610	3-21	3 842 554 281	10-7, 10-12, 10-16	3 842 990 344	2-78
3 842 549 859	3-42	3 842 551 611	3-21	3 842 554 282	10-6	3 842 990 350	2-88
3 842 549 860	3-43	3 842 551 612	3-23	3 842 554 283	10-6, 10-12, 10-16	3 842 990 351	2-88
3 842 549 861	3-43	3 842 551 613	3-25	3 842 554 284	10-6, 10-14	3 842 990 352	2-88

20-6 MGE 13.2 | Material number overview

3 842 990 353	2-88	3 842 992 415	2-80, 13-17	3 842 992 960	2-70	3 842 993 144	2-66
3 842 990 354	2-88	3 842 992 416	2-80	3 842 992 961	2-81	3 842 993 145	2-66
3 842 990 355	2-88	3 842 992 417	2-80	3 842 992 962	2-88	3 842 993 146	2-66
3 842 990 357	2-88	3 842 992 418	2-80, 13-17	3 842 992 963	2-88	3 842 993 147	2-67
3 842 990 359	2-88	3 842 992 419	2-80	3 842 992 965	2-51	3 842 993 148	2-67
3 842 990 370	2-88	3 842 992 420	2-80	3 842 992 967	2-70	3 842 993 149	2-67
3 842 990 373	2-88	3 842 992 421	2-80	3 842 992 969	2-74	3 842 993 150	2-67
3 842 990 409	2-24, 12-36	3 842 992 422	2-80	3 842 992 970	10-9	3 842 993 151	2-67
3 842 990 416	2-82, 13-31, 13-38	3 842 992 423	2-80	3 842 992 971	10-9	3 842 993 152	2-69
3 842 990 417	2-82	3 842 992 425	2-70, 10-7	3 842 992 972	10-9	3 842 993 153	2-69
3 842 990 418	2-82	3 842 992 426	2-70	3 842 992 973	10-9	3 842 993 154	2-69
3 842 990 419	2-82	3 842 992 427	2-70	3 842 992 977	10-9	3 842 993 155	2-69
3 842 990 421	2-82	3 842 992 430	2-56	3 842 992 978	10-9	3 842 993 156	2-85
3 842 990 450	2-88	3 842 992 431	2-56	3 842 992 991	2-48	3 842 993 157	2-85
3 842 990 453	2-88	3 842 992 432	2-76, 13-12	3 842 992 992	2-48	3 842 993 158	2-85
3 842 990 454	2-88	3 842 992 433	2-76	3 842 992 999	2-73	3 842 993 159	2-85
3 842 990 464	2-88	3 842 992 435	2-76	3 842 993 001	2-73	3 842 993 160	2-85
3 842 990 472	2-88	3 842 992 436	2-76	3 842 993 010	2-52	3 842 993 161	2-85
3 842 990 478	2-88	3 842 992 437	2-76	3 842 993 011	2-53	3 842 993 162	2-85
3 842 990 481	2-88	3 842 992 438	13-17, 13-18	3 842 993 012	2-53	3 842 993 163	2-85
3 842 990 500	2-81, 13-24	3 842 992 440	13-24, 13-25	3 842 993 013	2-72	3 842 993 164	2-85
3 842 990 501	2-81	3 842 992 441	13-38, 13-39	3 842 993 014	2-72	3 842 993 165	2-85
3 842 990 502	2-81	3 842 992 443	2-87	3 842 993 015	2-73	3 842 993 166	2-85
3 842 990 505	2-81	3 842 992 444	2-87	3 842 993 016	2-54	3 842 993 167	2-85
3 842 990 507	2-81	3 842 992 445	2-87	3 842 993 017	2-12	3 842 993 168	2-85
3 842 990 517	2-74	3 842 992 446	2-87	3 842 993 018	2-12	3 842 993 169	2-85
3 842 990 518	2-74	3 842 992 447	2-87	3 842 993 019	2-12	3 842 993 170	2-85
3 842 990 519	2-74	3 842 992 448	2-87	3 842 993 020	2-12	3 842 993 171	2-86
3 842 990 520	2-74	3 842 992 449	2-87	3 842 993 029	12-28	3 842 993 172	2-86
3 842 990 521	2-74	3 842 992 452	2-76	3 842 993 033	2-56	3 842 993 173	2-86
3 842 990 570	2-75, 13-7	3 842 992 453	2-76	3 842 993 052	12-43	3 842 993 174	2-86
3 842 990 571	2-75	3 842 992 457	2-54	3 842 993 061	13-7, 13-8	3 842 993 175	2-86
3 842 990 572	2-75	3 842 992 458	2-54	3 842 993 062	13-17, 13-18	3 842 993 176	2-86
3 842 990 573	2-75	3 842 992 459	2-54	3 842 993 063 / L	2-16	3 842 993 177	2-86
3 842 990 575	2-75	3 842 992 460	2-54	3 842 993 071	2-19	3 842 993 178	2-87
3 842 990 584	2-75	3 842 992 462	2-54	3 842 993 072	2-19	3 842 993 179	2-87
3 842 990 640	2-74	3 842 992 463	2-54	3 842 993 073	2-19	3 842 993 180	2-87
3 842 990 642	2-74	3 842 992 473	2-83	3 842 993 077	2-49	3 842 993 181	2-87
3 842 990 644	2-74	3 842 992 474	2-83	3 842 993 078	2-57	3 842 993 182	2-87
3 842 990 646	2-74	3 842 992 475	2-83	3 842 993 080	13-31, 13-32	3 842 993 183	2-87
3 842 990 648	2-74	3 842 992 476	2-56	3 842 993 081	2-82, 13-31	3 842 993 184	2-63
3 842 990 670	2-75	3 842 992 493	2-13	3 842 993 082	2-81, 13-24	3 842 993 185	2-60
3 842 990 672	2-75	3 842 992 676	2-22, 12-34	3 842 993 083	2-81	3 842 993 186	2-60
3 842 990 674	2-75	3 842 992 857	2-82	3 842 993 084	2-76, 13-12	3 842 993 187	2-61
3 842 990 688	2-75	3 842 992 858	2-82	3 842 993 085	2-75, 13-7	3 842 993 188	2-61
3 842 990 690	2-75	3 842 992 859	2-82	3 842 993 120	2-60	3 842 993 189	2-61
3 842 990 720	2-51	3 842 992 860	2-82	3 842 993 121	2-60	3 842 993 190	2-61
3 842 990 721	2-51	3 842 992 861	2-82	3 842 993 122	2-60	3 842 993 191	2-61
3 842 990 722	2-51	3 842 992 864	2-82	3 842 993 123	2-60	3 842 993 192	2-61
3 842 990 723	2-51	3 842 992 884	2-23, 12-35	3 842 993 124	2-60	3 842 993 193	2-65
3 842 990 724	2-51	3 842 992 888	2-46	3 842 993 125	2-60	3 842 993 194	2-86
3 842 990 725	2-51	3 842 992 889	2-47	3 842 993 126	2-60	3 842 993 195	2-62
3 842 990 726	2-51	3 842 992 890	2-47	3 842 993 127	2-69	3 842 993 196	2-86
3 842 992 373	2-81	3 842 992 891	2-48	3 842 993 128	2-69	3 842 993 197	2-62
3 842 992 375	2-75	3 842 992 896	2-53	3 842 993 129	2-60	3 842 993 198	2-62
3 842 992 376	2-75	3 842 992 897	2-73	3 842 993 130	2-64	3 842 993 199	2-86
3 842 992 378	2-82	3 842 992 898	2-82, 13-38	3 842 993 131	2-64	3 842 993 200	2-86
3 842 992 387	2-79	3 842 992 903	2-23, 12-35	3 842 993 132	2-64	3 842 993 201	2-69
3 842 992 388	2-79	3 842 992 913	2-11	3 842 993 133	2-67	3 842 993 202	2-69
3 842 992 397	2-51	3 842 992 924	2-47	3 842 993 134	2-67	3 842 993 203	2-69
3 842 992 398	2-52	3 842 992 925	13-12, 13-13	3 842 993 135	2-64	3 842 993 204	2-69
3 842 992 399	2-51	3 842 992 926	2-54	3 842 993 136	2-64	3 842 993 225	2-66
3 842 992 400	2-52	3 842 992 927	2-79, 13-31, 13-38	3 842 993 137	2-64	3 842 993 226	2-69
3 842 992 401	2-71	3 842 992 928	2-79, 13-31	3 842 993 138	2-64	3 842 993 227	2-87
3 842 992 402	2-71	3 842 992 945	2-73	3 842 993 139	2-66	3 842 993 228	2-86
3 842 992 403	2-71	3 842 992 946	2-21, 12-4	3 842 993 140	2-66	3 842 993 229	2-69
3 842 992 404	2-72	3 842 992 953	2-70	3 842 993 141	2-66	3 842 993 231	2-46
3 842 992 411	2-14	3 842 992 954	2-70	3 842 993 142	2-66	3 842 993 256	2-63, 2
3 842 992 412	2-15	3 842 992 956	2-70	3 842 993 143	2-66	3 842 993 257	2-63, 2



3 842 993 259	2-23, 12-35	3 842 993 687	2-87	3 842 993 966	13-7, 13-8
3 842 993 306	12-46, 16-4	3 842 993 688	2-56	3 842 993 967	13-12, 13-13
3 842 993 308	6-15	3 842 993 689	2-83	3 842 993 968	13-17, 13-18, 13-24,
3 842 993 316	2-22, 12-20	3 842 993 690	2-46	13-25	
3 842 993 321	12-25	3 842 993 691	2-46	3 842 993 969	13-31, 13-32, 13-38,
3 842 993 322	12-25	3 842 993 692	2-47	13-39	
3 842 993 336	2-18	3 842 993 693	2-47	3 842 994 000	12-44
3 842 993 337	2-18	3 842 993 694	2-46	3 842 994 001	12-44
3 842 993 411	2-16	3 842 993 695	2-47	3 842 994 635	12-43
3 842 993 420	2-54	3 842 993 696	2-48	3 842 994 659	13-7, 13-10
3 842 993 421	2-46	3 842 993 697	2-48	3 842 994 662	13-31, 13-36, 13-38,
3 842 993 422	2-46	3 842 993 698	2-48	13-43	
3 842 993 423	2-68	3 842 993 703	2-51	3 842 994 702	13-20, 13-27, 13-34,
3 842 993 424	2-64	3 842 993 704	2-51	13-41	
3 842 993 425	8-29	3 842 993 705	2-51	3 842 994 711	13-12
3 842 993 426	8-29	3 842 993 706	2-52	3 842 994 742	10-6
3 842 993 427	8-32	3 842 993 709	2-53	3 842 994 744	10-7
3 842 993 428	8-32	3 842 993 710	2-56	3 842 994 745	10-7
3 842 993 429	8-32	3 842 993 711	2-53	3 842 994 811	13-48
3 842 993 430	8-32	3 842 993 712	2-54	3 842 994 812	13-48
3 842 993 431	12-25	3 842 993 713	2-54	3 842 994 813	13-48
3 842 993 432	12-25	3 842 993 714	2-53	3 842 994 821	13-17, 13-22, 13-24,
3 842 993 434	2-83	3 842 993 715	2-54	13-29	
3 842 993 435	2-83	3 842 993 716	2-66	3 842 994 832	12-39
3 842 993 436	2-83	3 842 993 717	2-66	3 842 994 839	12-37
3 842 993 449	2-80	3 842 993 718	2-62	3 842 994 863	16-4
3 842 993 450	2-75	3 842 993 719	2-60	3 842 994 889	12-40
3 842 993 489	2-27	3 842 993 720	2-61, 8-22	3 842 994 907	12-41
3 842 993 493	2-46	3 842 993 721	2-61	3 842 994 979	2-43
3 842 993 494	2-46	3 842 993 722	2-61	3 842 994 988	12-29
3 842 993 495	2-46	3 842 993 723	2-63	3 842 994 989	12-29
3 842 993 496	2-46	3 842 993 724	2-60	3 842 995 007	12-31
3 842 993 497	2-48	3 842 993 725	2-63	3 842 995 008	12-29
3 842 993 498	2-48	3 842 993 727	2-62	3 842 995 017	12-31
3 842 993 499	2-48	3 842 993 728	2-64	3 842 995 027	2-22, 12-20
3 842 993 500	2-48	3 842 993 729	2-64	3 842 996 191	2-30
3 842 993 501	2-48	3 842 993 730	2-65	3 842 996 192	2-30
3 842 993 511	12-28	3 842 993 731	2-78	3 842 996 356	11-4
3 842 993 512	12-28	3 842 993 732	2-79	3 842 996 357	11-4
3 842 993 621	2-81	3 842 993 733	2-72	3 842 996 358	11-4
3 842 993 628	2-81	3 842 993 735	2-72	3 842 996 359	11-4
3 842 993 635	2-77	3 842 993 736	2-73	3 842 998 495	13-6
3 842 993 644	2-76	3 842 993 737	2-70	3 842 998 496	13-11
3 842 993 653	2-68	3 842 993 738	2-71	3 842 998 497	13-16
3 842 993 654	2-65	3 842 993 739	2-71, 8-22	3 842 998 498	13-23
3 842 993 658	2-68	3 842 993 740	2-71	3 842 998 499	13-30
3 842 993 661	2-78	3 842 993 741	2-72	3 842 998 500	13-37
3 842 993 662	2-76	3 842 993 742	2-73	8 981 535 323	12-8
3 842 993 663	2-85	3 842 993 743	2-75	8 981 535 324	12-8
3 842 993 664	2-86	3 842 993 744	2-73	8 981 535 325	12-10
3 842 993 665	2-85	3 842 993 751	2-76	8 981 535 326	12-10
3 842 993 668	2-88	3 842 993 752	2-77	8 981 535 477	12-7
3 842 993 669	2-56	3 842 993 753	2-65	8 981 535 478	12-9
3 842 993 670	2-87	3 842 993 755	2-81	8 981 535 479	12-9
3 842 993 671	2-88	3 842 993 756	2-81	8 981 535 890	12-8, 12-9,
3 842 993 672	2-69	3 842 993 757	2-68		12-10, 12-12
3 842 993 673	2-69	3 842 993 758	2-68	8 981 535 891	12-7, 12-11
3 842 993 674	2-67	3 842 993 759	2-75		
3 842 993 675	2-68	3 842 993 760	2-60		
3 842 993 676	2-82	3 842 993 761	2-70		
3 842 993 677	2-82	3 842 993 762	2-55		
3 842 993 678	2-83	3 842 993 763	2-55		
3 842 993 679	2-81	3 842 993 764	2-80		
3 842 993 680	2-80	3 842 993 767	2-65		
3 842 993 681	2-80	3 842 993 768	2-64		
3 842 993 682	2-79	3 842 993 769	2-67		
3 842 993 683	2-49	3 842 993 770	2-77		
3 842 993 684	2-57	3 842 993 887	16-3		
3 842 993 685	2-86	3 842 993 952	13-12, 13-13		



## Index

- ▶ **A**
  - Accessories for protective devices 9-1
  - Adjustment unit 12-46
  - Air-supply elements 5-2
  - Angle profile 2-15
  - Anti-torsion element 3-40
  - Assembly technology
    - Product range 1-9
  - Attachment kit for safety switch 10-20
- ▶ **B**
  - Ball catch 9-8
  - Base plate
    - 120x120 6-11
    - 135x135 6-10
    - 150x150 6-11
    - 270x360 6-10
    - Steel 6-8
  - Bearing pedestal 4-9
  - Bearing ring 2-39
  - Bolt connector 3-59
  - Bow-type handle 8-23
  - Bracket 2-25, 3-17
    - R 3-29
    - S 7-8
  - Bump stop 9-5
- ▶ **C**
  - Cable bracket 11-9
  - Cable duct
    - AL 11-3
    - PA 11-2
  - Cam roller guide LF6C
    - Complete axis 13-11
    - Components 13-12
  - Cam roller guide LF6S
    - Complete axis 13-6
    - Components 13-7
  - Cam roller guide LF12C
    - Complete axis 13-23
    - Components 13-24
  - Cam roller guide LF12S
    - Complete axis 13-16
    - Components 13-17
  - Cam roller guide LF20C
    - Complete axis 13-37
    - Components 13-38
  - Cam roller guide LF20S
    - Complete axis 13-30
    - Components 13-31
  - Cam roller guides LF...C 13-5
  - Cam roller guides LF...S 13-4
  - Center shafts 13-47
  - Central bolt 3-40
  - Chamber lock for swing
    - and sliding doors 8-19
  - Clamp bushing 7-13
  - Clamping element 10-19
  - Clamping lever 4-11
  - Clamping profile 2-12
  - Cloth holder 2-43
  - Collar screw 3-5
  - Components
    - For ESD applications 17-1, 17-2
    - For lateral guides 16-1, 16-2
  - Components for sliding door 12-4
  - Connection elements
    - Overview 3-1
    - Selection criteria 3-3
  - Connection piece 5-4
  - Connection screw fitting M12-1/4" 5-4
  - Construction of conveyor sections,
    - Elements for 12-19
  - Container mount 2-17
  - Conveyor media,
    - Profiles for installing 2-22
  - Conveyor sections
    - Elements for the construction of 12-19
      - Made of SP 2 section profiles and accumulation roller chains 12-40
      - Made of SP 4/R section profiles and accumulation roller chains 12-37
  - Conveyor track
    - EcoFlow 12-28
    - Lean 12-20
    - XLean 12-25
  - Conveyor track made of section
    - profiles and roller elements 12-34
  - Corner bracket 3-46
  - Counterbalance 9-2
  - Cover cap 2-39, 3-40, 3-53, 3-55, 8-30
    - Diecast zinc 2-39
    - With hole 2-39
  - Cover profiles 2-40
  - Cover strip profile 7-10
  - Cubic connector 3-42
- ▶ **D**
  - Damping ring 6-4
  - Dimensioning of synchronous shafts 13-55
  - Door handle profile 8-32
  - Door lock 8-12
    - “Compact” for swing doors 8-17
    - For EcoSafe sliding doors 8-13
    - For swing doors 8-14
    - For swinging and sliding doors 8-11
    - “Multi-use” for swinging and sliding doors 8-15
  - Doors and fittings 8-1
  - Double ball stop latch 9-7
  - Double wheel 6-16
  - Drilling jigs 14-2
- ▶ **E**
  - Earthing terminal 10-18
  - EcoFlow stop gates and return stops 12-31
  - EcoSafe assembly kit
    - Double door 10-16
    - Sliding door with superstructure 10-14
    - System door 10-12
  - EcoSafe components for building
    - protective fences 10-4
  - EcoSafe protective frame 10-6
    - Load-bearing capacity data 19-11
  - EcoSafe sliding door without
    - superstructure 10-15
  - EcoSafe support
    - Load-bearing capacity data 19-11
  - EcoShape 2-28
  - EcoSlide 12-6
  - Edge protector 8-32
  - Elements
    - For manual movement 12-1
    - For the construction of conveyor sections 12-19
  - End connector 3-48
  - End piece 8-30
  - ESD applications,
    - Components for eShop 17-1 2-9
- ▶ **F**
  - Feet and wheels 6-1
  - FiFo station 15-2
  - Fixing of surface elements 7-1
  - Flange 13-45
  - Flanged plate 5-3
  - Flange nut 3-6
  - Flexible grinder for
    - anodized surfaces 14-7
  - Floor dowel 6-12
  - Folding door element 8-10
  - Foot 6-4
    - AL 6-12
    - Stainless steel 6-14
  - Foundation bracket 3-33
  - Frame profile
    - 22.5x30 2-13
    - 22.5x45 2-14
- ▶ **G**
  - Grab container base 2-19
  - Grab ledge 2-19
  - Grooved plate 30x100 2-18
- ▶ **H**
  - Handle bar 9-5
  - Heavy-duty connector 180x180
    - dynamic load 3-28
  - Heavy-duty wheel 6-20
  - Height setting 12-44
  - Hinge 8-4

- Adjustable 8-9
- aluminum 8-6
- LIFTOFF 8-7
- plastic 8-5
- Removable 8-8
- Hinge profile 8-3
- Holder
  - AL 3-34
  - For lateral guide, fixed 16-6
  - For lateral guide, variable 16-8
- **I**
- Inner bracket 3-13
  - R 3-14
- Installation elements 11-1
- **J**
- Joint
  - 30x30 4-3
  - 40x40 4-4
  - 40x40 support 4-4
  - 45x45 4-4
  - 45x45 lockable 4-2
  - 45x45 support 4-4
  - 60x45 4-6
- Joints, overview 4-1
- **L**
- Lateral guides
  - Components for 16-2
  - Holders for, fixed 16-6
  - Holders for, variable 16-8
  - Profile rails for 16-3
- Lettering clips 2-42
- Leveling foot 6-4
- Lifting wheel 6-22
  - Rotatable pedal 6-23
- Linear guide drives 13-44
- Linear guides 13-1
  - Overview 13-2
  - Sizes, designs, and loads 13-3
  - Technical data for roller, design, mounting 13-49
- Load-bearing capacity data
  - For EcoSafe protective frame 19-11
  - For EcoSafe support 19-11
- Load-bearing capacity of profile connection 19-6
- Load-dependent design 13-50
- Lock mechanism for double door 10-17
- Longitudinal end connection 5-5
- Longitudinal end connector 3-58
- Longitudinal end connector 45 Pneu 5-6
- **M**
- Magnet catch 9-6
- Manual movement
  - Elements for 12-1
- Material chute 2-19
- Material Number Overview 20-1
- Metal bracket 3-32
- Miter bracket 3-16
- Miter cutter 14-7
- Modular leveling feet 6-2
- Mortise lock
  - For swing doors 8-21
- Mounting rim profile 7-2
  - Cleanroom 7-3
- Mounting with coupling 13-46
- MTpro 1-8, 2-9
- multi-sliders 12-16
- **O**
- Offset screwdriver Torx® 14-6
- **P**
- Parallel connector 3-11
- Pinion 12-18
- Planning software 1-8
- Planning tool LF-MGE 13-57
- Plate 6-6
- Potential equalizer 7-11
- Product range – assembly technology
  - Profile connector 3-38
  - Profile deflection 19-4
  - Profile finishing 2-8, 2-10
  - Profile rails 2-21
    - For lateral guides 16-3
  - Profiles for installing conveyor media 2-22
  - Profile slot load-bearing capacity 19-5
  - Protective devices,
    - Accessories for 9-1
  - Protective fences, EcoSafe components for construction of 10-4
  - Protective grille profiles 7-12, 10-8
  - Protective pane profile
    - Cleanroom 7-5
    - PVC 7-4
- **Q**
- Quick connector
  - Bendable – end-to-end 3-56
  - Bendable – end-to-slot 3-57
  - Slot 6 mm, 0°, 90° 3-53
  - Slot 8/10 mm, 0° 3-54
  - Slot 8/10 mm, 90° 3-55
- Quick & Easy 2-9
- Quick-lock 11-10
- QV mounting kit 3-62
- **R**
- R999000401 1-9
- Rack 12-18
- Radial compensation 2-41
- Rectangular tube 2-11
- Refill end-pieces 2-19
- Retainer ring 7-9
- Round tube D28 2-25
- Rubber profile 2-43
- **S**
- safety catch 9-4
- Safety handle 8-24
- Safety strip safety kit 10-10
- Seal 5-6
- Sealing profile 8-26
- Sealing strip 8-25
- Selection guide
  - Wheels 6-18
- Sensors
  - M12x50, inductive 18-9
  - Ø6.5 x 30 mm, inductive 18-8
- Slide hanger 12-2
- Slider 8-27
  - Flat lockable 12-11
  - For profiles 12-13
  - For surface element 12-3
- Sliding block 3-7
- Sliding block,
  - Swivel-in 3-8
- Sliding block profile 3-7
  - Swivel-in 3-8
- Sliding door,
  - Components for 12-4
- Sliding door profile
  - Al 45 8-30
  - Al Clip 8-29
  - PVC 8-28
- Software 1-8
- Spring 3-8
- Spring clamping element 10-21
- Spring hook 12-2
- Standards for protective equipment 10-2
- Star knob 4-11
- Steel bracket 3-31
- Stop 18-10
- Straddling nut 3-10
- Strut profile D28x55 2-25
- Strut profiles
  - Overview 2-1
  - Slot sizes and modular dimensions
    - Technical data 19-2
    - With slot 6 mm 2-45
    - With slot 8 mm 2-50
    - With slot 10 mm 2-58
    - With slot 10 mm, modular dimension 40 mm 2-60
    - With slot 10 mm, modular dimension 45 mm 2-70
    - With slot 10 mm, modular dimension 50 mm 2-85
    - With slot 10 mm, modular dimension 60 mm 2-87
- Supporting arm joint 4-8
- Supporting bracket 3-32
  - AL 3-36
  - AL, lateral 3-37
- support wheels 12-17
- Surface elements,

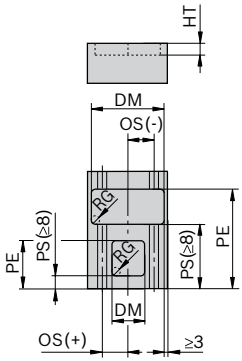
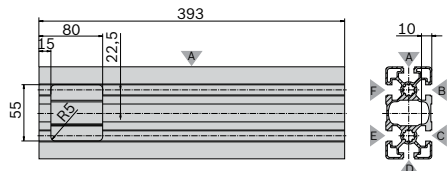
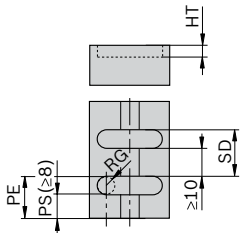
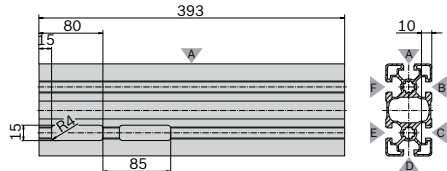
– Mounting	7-1
Suspension bracket	10-10
Suspension piece for frames	10-22
Suspension profile	2-16
Switch bracket	
– SH 1/S	18-2
– SH 1/U	18-3
– SH 2/S	1-8
– SH 2/S-H	18-5
– SH 2/ST	18-4
– SH 2/U	18-6
– SH 2/U-H	18-7
Swivel bearing	4-7
Swivel fastening, 180°	4-10
Synchronous shafts	13-47
<b>► T</b>	
T-bolt	3-6
T-connector	
– 45 Pneu	5-6
– Connection elements	3-50
– Profiles	2-25
Technical data	
– LF, layout, assembly	13-49
– Profiles	2-4
– Strut profiles	19-2
Tensioning connector	3-12
Threaded sleeve	6-7
Tilt lever	10-11
T-nut	3-4
Tool holders	14-8
– TAPE 50 mm	14-10
Tools	14-1
Tool shelf	14-8
Torx® offset screwdriver	14-6
Trolley	2-21
<b>► U</b>	
Universal plate	7-11
<b>► V</b>	
Variofix block	7-6
Variofix block S	7-7
Variofix remover	14-7
<b>► W</b>	
Washer	6-12
Wheel	6-17
– with mounting flange	6-24

# Notes

# Lengthwise milling MI, lengthwise milling sequence MIS

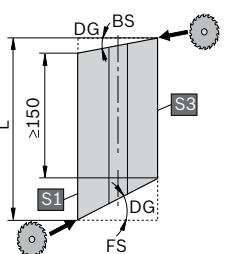
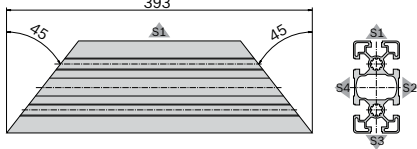
Material number / length / [slot designation=MI; PS=...; OS=...; DM=...; HT=...; PE=...; RG=...]; [...]

Material number / length / [slot designation=MIS; PS=...; OS=...; DM=...; HT=...; PE=...; RG=...; SN=...; SD=...]; [...]

End finishing	Parameter	Order example for profile 45x90L
<b>Lengthwise milling MI</b> 	<b>PS</b> Starting point of milling $PS_{min} = 8 \text{ mm}$ $PS_{min} = 60 \text{ mm}$ on the underside of the profile (see order tables for guidance)	 <b>3 842 993 662 / 393 /</b> [B=MI; PS=15; OS=22.5; DM=55; HT=10; PE=80; RG=5]
	<b>OS</b> Offset starting point (optional)	
	<b>DM</b> Milling width $DM_{min} = 8 \text{ mm}$ ; $DM_{max} = \text{profile width/height} - 6 \text{ mm}$ At least 3 mm of profile must remain on both sides	
	<b>HT</b> Depth of milling. $HT_{max} = 5.5 \text{ mm}$ (slot 6 mm) $HT_{max} = 9.0 \text{ mm}$ (slot 8 mm) $HT_{max} = 12.5 \text{ mm}$ (slot 10 mm)	
	<b>PE</b> End point of milling $PE_{max} = L - 8 \text{ mm}$ $8 \text{ mm} \leq PE - PS \leq 100 \text{ mm}$	
	<b>RG</b> Radius of milling geometry RG = 3 mm; 4 mm; 5 mm; 8 mm	
<b>Lengthwise milling sequence MIS</b> 	<b>PS, OS, DM, HT, PE, RG</b> As for lengthwise milling MI	 <b>3 842 993 662 / 393 /</b> [C=MIS; PS=15; DM=15; HT=10; PE=80; RG=4; SN=2; SD=85]
	<b>SN</b> Number of finishes $SN_{max} = \text{INT}(L - 8 - PE / SD) + 1$	
	<b>SD</b> Distance between adjacent finishes $SD_{min} = (PE - PS) + 10$	

# Miter cut

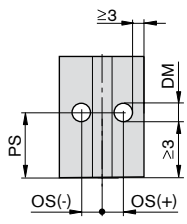
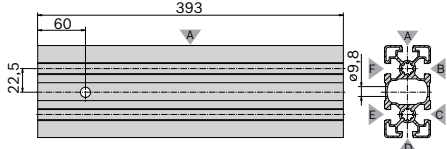
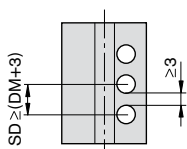
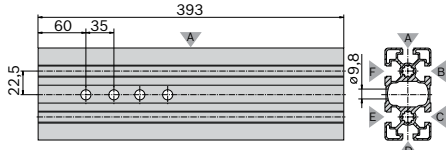
Material number / length/[FS=side; DG=miter angle]; [BS=side; DG=miter angle]

End finishing	Parameter	Order example for profile 45x90L
<b>Miter cut</b> 	<b>FS</b> Front side S1, S3 – profile side on which the miter cut begins	 <b>3 842 993 662 / 393 /</b> [FS=S3; DG=45]; [BS=S3; DG=45]
	<b>BS</b> Back side S1, S3 – profile side on which the miter cut begins	
	<b>DG</b> Miter bracket $DG > 0$ The angle is always specified as a positive value. Note the maximum permissible miter angle (see order tables)	

# Drilling DI, drilling sequence DIS

Material number / length / [slot designation=DI; PS=...; OS=...; DM=...; HT=...]; [...]

Material number / length / [slot designation=DIS; PS=...; OS=...; DM=...; HT=...; SN=...; SD=...]; [...]

End finishing	Parameter	Order example for profile 45x90L
<b>Hole DI</b> 	<b>PS</b> Center point of hole $PS_{min} = DM/2 + 3 \text{ mm};$ $PS_{max} = L - (DM/2 + 3 \text{ mm})$	 <b>3 842 993 662 / 393 /</b> [B=DI; PS=60; OS=22.5; DM=9.8]
	<b>OS</b> Offset starting point (optional) Select OS so that the hole does not cut through any slot edges	
	<b>DM</b> DM hole diameter DM; see table.	
	<b>HT</b> Depth of hole (optional) Through-holes made if no information provided $HT_{max}$ see table	
<b>Drilling sequence DIS</b> 	<b>PS, OS, DM, HT</b> As for DI hole drilling	 <b>3 842 993 662 / 393 /</b> [B=DIS; PS=60; OS=22.5; DM=9.8; SN=4; SD=35]
	<b>SN</b> Number of finishes $SN_{max} = INT((L - 3 \cdot PS - DM/2) / SD) + 1$	
	<b>SD</b> Distance between adjacent finishes $SD_{min} = DM + 3$	

### Permissible hole diameters, permissible hole depths (in mm)

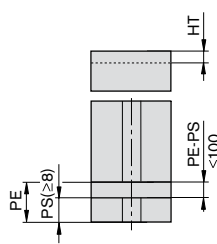
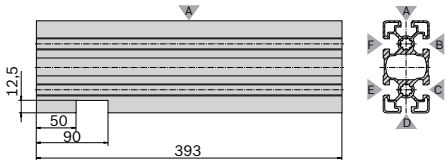
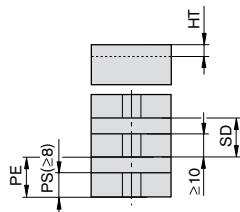
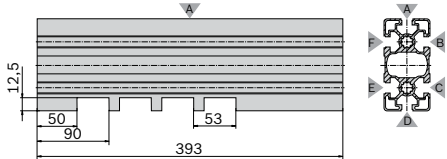
DM	5.8	6.4	7.8	8.0	8.4	9.8	11.0	17.0
$HT_{max}$	40.0	45.0	45.0	45.0	45.0	50.0	60.0	75.0

**CAUTION:** If  $HT_{max}$  is not sufficient to drill through the profile, you must order two opposite bores!

# Cross milling MT, cross milling sequence MTS

Material number / length / [slot designation=MT; PS=...; HT=...; PE=...]; [...]

Material number / length / [slot designation=MTS; PS=...; HT=...; PE=...; SN=...; SD=...]; [...]

End finishing	Parameter	Order example for profile 45x90L
<b>Cross milling MT</b> 	<b>PS</b> Starting point of milling $PS_{min} = 8 \text{ mm}; PS_{min} = 60 \text{ mm}$ on the underside of the profile	 <b>3 842 993 662 / 393 /</b> [D=MT; PS=50; HT=12.5; PE=90]
	<b>HT</b> Depth of milling $HT_{max} = 5.5 \text{ mm}$ (slot 6 mm) $HT_{max} = 9.0 \text{ mm}$ (slot 8 mm) $HT_{max} = 12.5 \text{ mm}$ (slot 10 mm)	
	<b>PE</b> End point of milling $PE_{max} = L - 8 \text{ mm}; 8 \text{ mm} \leq PE - PS \leq 100 \text{ mm}$	
<b>Cross milling sequence MTS</b> 	<b>PS, HT, PE</b> As for cross milling MT	 <b>3 842 993 662 / 393 /</b> [D=MTS; PS=50; HT=12.5; PE=90; SN=4; SD=53]
	<b>SN</b> Number of finishes $SN_{max} = INT((L - 8 \cdot PE) / SD) + 1$	
	<b>SD</b> Distance between adjacent finishes $SD_{min} = (PE - PS) + 10$	



# Standard profile finishing





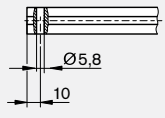
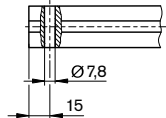
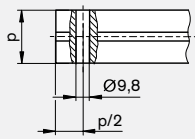

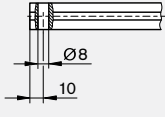
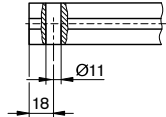
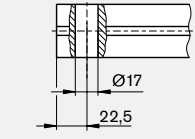

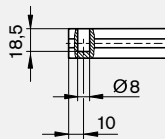
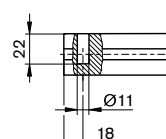
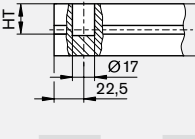

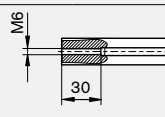
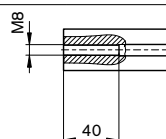
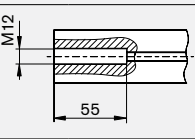
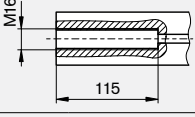

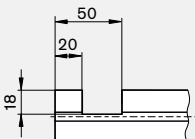
## Order syntax for through-holes, blind holes, standard milling

Material number / length / slot designation = finishing at profile start / finishing at profile end; ...




## Order syntax for threads

Material number / length / Z = Mx at profile start / Mx at profile end

## Standard profile finishing

		Slot 6 mm 	Slot 8 mm 	Slot 10 mm 										
<b>Through-hole</b> for corner connections with central bolt		<b>D5.8</b> 	<b>D7.8</b> 	<b>D9.8</b> 										
<b>Through-hole</b> for bolt connectors and quick connectors		<b>D8</b> 	<b>D11</b> 	<b>D17</b> 										
<b>Blind hole</b> for longitudinal end connectors and quick connectors in closed profiles		<b>DB8</b> 	<b>DB11</b> 	<b>DB17</b>   <table border="1"> <tr> <td><b>p</b></td> <td>40</td> <td>45</td> <td>50</td> <td>60</td> </tr> <tr> <td><b>HT</b></td> <td>31</td> <td>34</td> <td>36</td> <td>41</td> </tr> </table>	<b>p</b>	40	45	50	60	<b>HT</b>	31	34	36	41
<b>p</b>	40	45	50	60										
<b>HT</b>	31	34	36	41										
<b>Thread</b> in all central holes for accessories		<b>M6</b> 	<b>M8</b> 	<b>M12</b>   <b>M16</b> 										
<b>Standard milling</b> for cross connectors				<b>F1</b> 										

## Minimum profile lengths (mm) for standard profile finishing on one or both sides

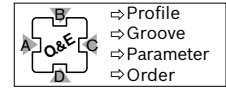
	-	M6	D5.8	D8/ DB8		-	M8	D7.8	D11/ DB11		-	M12	M16	D9.8	D17/ DB17	F1
-	50	50	50	50	-	50	50	50	50	-	50	60	120	50	60	60
<b>M6</b>	50	70	50	70	<b>M8</b>	50	80	62	70	<b>M12</b>	60	110	180	90	60	110
<b>D5.8</b>	50	50	50	50	<b>D7.8</b>	50	62	60	50	<b>M16</b>	120	180	240	150	170	170
<b>D8/ DB8</b>	50	50	50	50	<b>D11/ DB11</b>	50	70	50	60	<b>D9.8</b>	50	90	150	80	70	90
										<b>D17/ DB17</b>	60	90	170	70	80	90
										<b>F1</b>	60	110	170	90	90	80

**Note:** In the case of clashes with the values in the order table, the larger value applies.

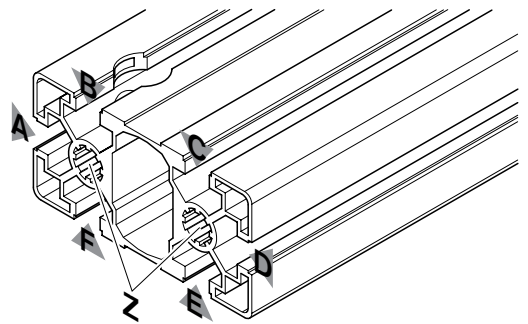
# Quick & Easy profile finishing

## Logical structure of the order key

Material number / length / [slot designation = finishing; parameter set]



**Example:** Profile 45x90L with through-hole D17 in slot B



**3 842 993 662** / 393 / B = D17/-  
 Material number      Length      Standard profile finishing  
 D17 through-hole in slot B

### Standard profile finishing

- ▶ Through-hole drilling      D
- ▶ Blind hole drilling      DB
- ▶ Thread cutting      M
- ▶ Standard milling      F1

### Individual profile finishing

- ▶ Hole drilling      DI
- ▶ Drilling sequence      DIS
- ▶ Cross milling      MT
- ▶ Cross milling sequence      MTS
- ▶ Lengthwise milling      MI
- ▶ Lengthwise milling sequence      MIS
- ▶ Miter cut      S1 / S3



**You can configure your profile really quickly and easily in the Rexroth eShop or with the profile configurator in MTpro**





**Bosch Rexroth AG**

Postfach 30 02 07  
70442 Stuttgart, Germany  
[www.boschrexroth.com](http://www.boschrexroth.com)

**Find your local contact person here:**

[www.boschrexroth.com/contact](http://www.boschrexroth.com/contact)

The data specified above only serves to describe the product.

No statements concerning a certain condition or suitability for a certain application can be derived from our information.

The information given does not release the user from the obligation of own judgment and verification. It must be remembered that our products are subject to a natural process of wear and aging.